



US00D923323S

(12) **United States Design Patent** (10) **Patent No.:** **US D923,323 S**
Seiders et al. (45) **Date of Patent:** **** Jun. 29, 2021**

(54) **BAG**
(71) Applicant: **YETI Coolers, LLC**, Austin, TX (US)
(72) Inventors: **Roy Joseph Seiders**, Austin, TX (US);
Dustin Bullock, Austin, TX (US)
(73) Assignee: **YETI Coolers, LLC**, Austin, TX (US)
(**) Term: **15 Years**

2,499,291 A 2/1950 Mogil
2,548,064 A 4/1951 Mogil et al.
2,575,191 A * 11/1951 Seipp B65D 31/04
383/97
2,771,112 A * 11/1956 Ingram A45C 3/04
150/101
2,871,900 A * 2/1959 Auditore A45C 3/04
383/6
4,116,253 A * 9/1978 Watsky A45C 13/26
150/108

(Continued)

(21) Appl. No.: **29/739,007**

FOREIGN PATENT DOCUMENTS

(22) Filed: **Jun. 22, 2020**

CA 2483802 A1 4/2006
CA 2499291 A1 9/2006

(Continued)

Related U.S. Application Data

(63) Continuation of application No. 29/663,667, filed on Sep. 18, 2018, now Pat. No. Des. 887,699.

OTHER PUBLICATIONS

(51) **LOC (13) Cl.** **03-01**

Sep. 16, 2020—(CN) Rejection Decision—App. No. 201810157521.6.

(52) **U.S. Cl.**

(Continued)

USPC **D3/201**

(58) **Field of Classification Search**

USPC D3/201, 207, 208, 215, 226, 228, 229,
D3/230, 269, 273, 290, 299, 303, 304,
D3/316, 318; D9/702, 703, 705, 707,
D9/709, 710

Primary Examiner — Holly E Thurman

(74) *Attorney, Agent, or Firm* — Banner & Witcoff, Ltd.

CPC B65D 83/384; F41H 9/10
See application file for complete search history.

(57) **CLAIM**

The ornamental design for a bag, as shown and described.

(56) **References Cited**

DESCRIPTION

U.S. PATENT DOCUMENTS

1,001,729 A 8/1911 Buchanan et al.
1,113,757 A 10/1914 Crutcher et al.
1,305,797 A * 6/1919 Henderson A45C 13/02
190/109
1,378,928 A 5/1921 Ikuro et al.
1,386,557 A 8/1921 Duquesnoy
D107,596 S * 12/1937 Felmann D3/241
2,188,899 A 2/1940 Shengwen
2,483,802 A 10/1949 Vonbun et al.

FIG. 1 is a top, front, left perspective view thereof;

FIG. 2 is a front view thereof;

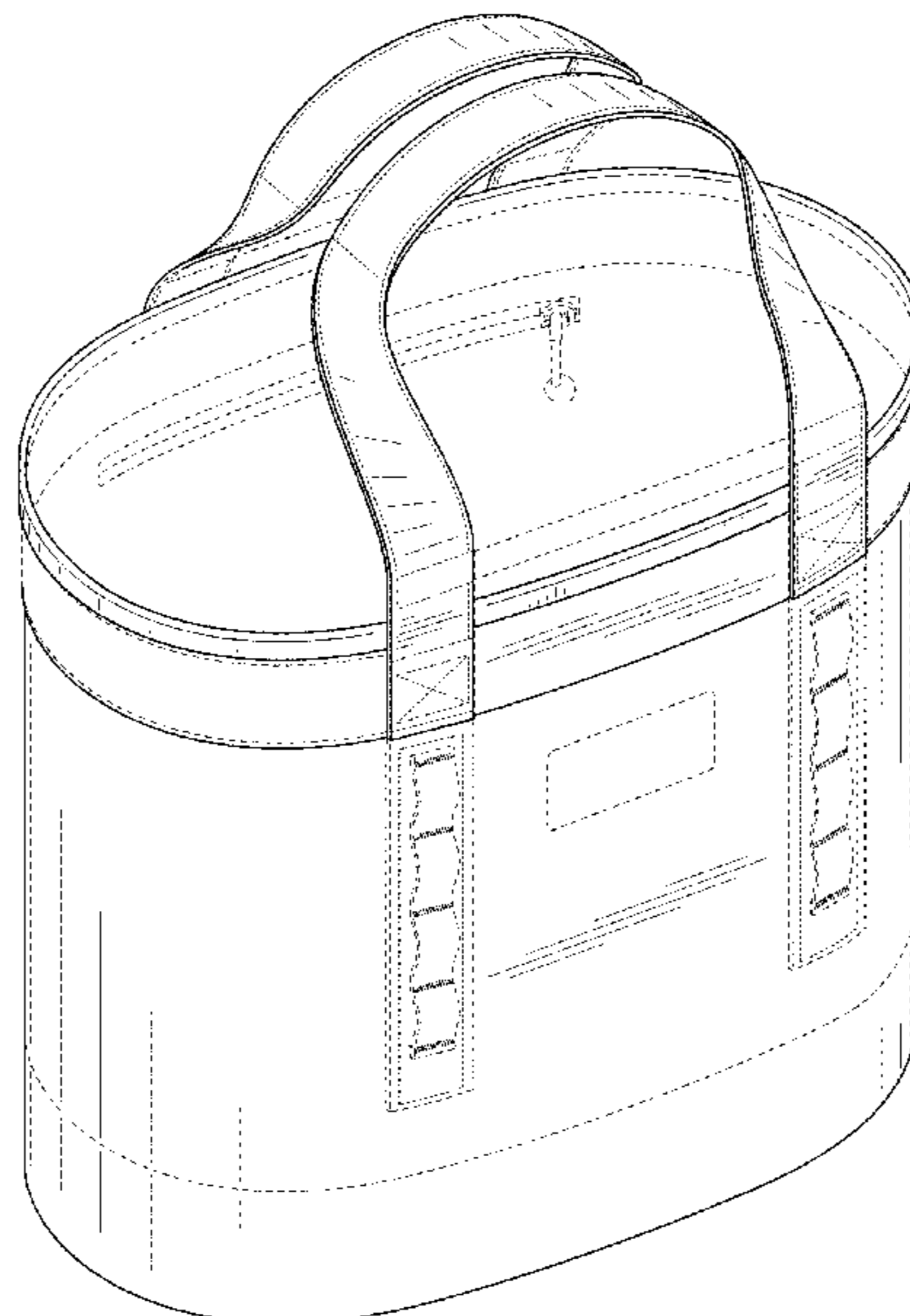
FIG. 3 is a rear view thereof;

FIG. 4 is a left side view thereof; and,

FIG. 5 is a right side view thereof.

The wide broken lines depict portions of the bag that form no part of the claimed design. The more narrow broken lines depict stitching that forms no part of the claimed design.

1 Claim, 5 Drawing Sheets



(56)

References Cited

U.S. PATENT DOCUMENTS

| | | | | | | | | | |
|-----------|------|---------|---------------|-------------|-----------|------|---------|-----------------|-------------|
| 4,211,091 | A * | 7/1980 | Campbell | A45C 11/20 | D711,098 | S * | 8/2014 | Rossignuolo | D3/245 |
| | | | | 383/110 | D711,100 | S * | 8/2014 | Dingizian | D3/245 |
| D263,650 | S * | 4/1982 | Schimmel | D3/246 | D715,544 | S * | 10/2014 | Levine | D3/246 |
| D265,948 | S * | 8/1982 | Stark | D3/289 | D717,040 | S * | 11/2014 | Swartzel | D3/232 |
| D281,546 | S * | 12/1985 | Bradshaw | D3/276 | D717,041 | S * | 11/2014 | Pulliam | D3/233 |
| 4,723,300 | A * | 2/1988 | Aranow | A45C 7/00 | D718,931 | S * | 12/2014 | Brundl | D3/232 |
| | | | | 190/1 | D722,233 | S | 2/2015 | Inskeep | |
| 4,812,054 | A * | 3/1989 | Kirkendall | A45C 3/04 | D732,348 | S * | 6/2015 | Seiders | D7/607 |
| | | | | 383/110 | D732,349 | S * | 6/2015 | Seiders | D7/607 |
| 4,961,522 | A * | 10/1990 | Weber | A45C 3/00 | D732,350 | S * | 6/2015 | Seiders | D7/607 |
| | | | | 190/119 | D732,899 | S * | 6/2015 | Seiders | D7/607 |
| D340,621 | S * | 10/1993 | Melk | D3/287 | D739,654 | S * | 9/2015 | Brouard | D3/276 |
| D340,840 | S * | 11/1993 | Melk | D3/283 | D743,699 | S * | 11/2015 | Wieden | D3/318 |
| 5,490,396 | A * | 2/1996 | Morris | F25D 3/08 | D745,268 | S * | 12/2015 | Slimane | D3/232 |
| | | | | 62/457.2 | 9,254,022 | B2 * | 2/2016 | Meldeau | A45C 7/0077 |
| 5,507,542 | A * | 4/1996 | Eden | A45F 5/1026 | D752,347 | S * | 3/2016 | Seiders | D3/318 |
| | | | | 294/143 | D752,860 | S * | 4/2016 | Barilaro | D3/232 |
| D387,626 | S * | 12/1997 | Melk | D7/605 | 9,307,814 | B2 * | 4/2016 | Pulliam | A45C 13/00 |
| 5,813,445 | A * | 9/1998 | Christman | A63F 3/06 | D758,717 | S * | 6/2016 | Joo | D3/232 |
| | | | | 150/106 | D758,731 | S * | 6/2016 | Noh | D3/304 |
| 5,848,734 | A * | 12/1998 | Melk | A45F 3/16 | D760,494 | S * | 7/2016 | Harvey-Pankey | D3/232 |
| | | | | 222/175 | D761,561 | S * | 7/2016 | Cheng | D3/246 |
| D422,411 | S * | 4/2000 | Martin | D3/201 | D762,378 | S * | 8/2016 | Domotor | D3/233 |
| 6,092,661 | A | 7/2000 | Mogil | | D763,570 | S * | 8/2016 | Potts | D3/232 |
| D447,632 | S * | 9/2001 | Gisser | D3/276 | D763,575 | S * | 8/2016 | Tiscareno-Rippe | D3/299 |
| 6,409,066 | B1 * | 6/2002 | Schneider | A45F 3/02 | D764,791 | S * | 8/2016 | Patel | D3/232 |
| | | | | 190/110 | D765,394 | S * | 9/2016 | Moore | D3/233 |
| 6,640,856 | B1 * | 11/2003 | Tucker | A45C 7/0077 | D768,987 | S * | 10/2016 | Blumenfeld | D3/318 |
| | | | | 150/130 | D769,616 | S * | 10/2016 | Keene | D3/238 |
| D491,354 | S * | 6/2004 | Chapelier | D3/246 | D770,759 | S * | 11/2016 | Gamble | D3/202 |
| D497,050 | S * | 10/2004 | Grambush | D3/246 | D770,763 | S * | 11/2016 | Joo | D3/232 |
| 6,810,933 | B2 | 11/2004 | Gordon et al. | | D773,813 | S * | 12/2016 | Jakubowski | D3/246 |
| 7,071,150 | B2 * | 7/2006 | Genuyt | C10M 169/04 | D774,747 | S * | 12/2016 | Gamble | D3/202 |
| | | | | 508/463 | D776,929 | S * | 1/2017 | Noh | D3/315 |
| 7,073,942 | B2 * | 7/2006 | Vazquez | A45C 7/0063 | D778,045 | S * | 2/2017 | Ruddis | D3/232 |
| | | | | 190/103 | 9,578,937 | B2 * | 2/2017 | Kern | A45C 3/04 |
| D526,120 | S * | 8/2006 | Lee | D3/233 | D782,820 | S * | 4/2017 | Thompson | D3/283 |
| D535,820 | S * | 1/2007 | Kamiya | D3/246 | D784,010 | S * | 4/2017 | Dumas | D3/232 |
| D536,170 | S * | 2/2007 | Elson | D3/238 | D785,325 | S * | 5/2017 | Samrelius | D3/246 |
| D582,151 | S * | 12/2008 | Gonzalez | D3/232 | D785,930 | S * | 5/2017 | Sassi | D3/232 |
| D587,010 | S * | 2/2009 | Deck | D3/246 | D786,559 | S * | 5/2017 | Seiders | D3/318 |
| 7,581,886 | B2 * | 9/2009 | Nitti | B65D 31/04 | D786,560 | S * | 5/2017 | Seiders | D3/318 |
| | | | | 383/4 | D786,561 | S * | 5/2017 | Seiders | D3/318 |
| 7,597,478 | B2 * | 10/2009 | Pruchnicki | A45C 7/0077 | D786,562 | S * | 5/2017 | Seiders | D3/318 |
| | | | | 224/578 | D787,187 | S * | 5/2017 | Seiders | D3/318 |
| D603,606 | S * | 11/2009 | Wang | D3/232 | D787,818 | S * | 5/2017 | Gerbelle | D3/243 |
| D611,706 | S * | 3/2010 | Angles | D3/243 | D787,823 | S * | 5/2017 | Nair | D3/246 |
| 7,682,080 | B2 * | 3/2010 | Mogil | A45C 11/20 | D789,080 | S * | 6/2017 | Caffagni | D3/232 |
| | | | | 383/110 | D789,081 | S * | 6/2017 | Sassi | D3/232 |
| D617,553 | S * | 6/2010 | Shaw | D3/232 | D789,082 | S * | 6/2017 | Barilaro | D3/232 |
| 7,730,739 | B2 * | 6/2010 | Fuchs | F25C 1/22 | D797,454 | S * | 9/2017 | Seiders | D3/318 |
| | | | | 62/457.7 | D797,455 | S * | 9/2017 | Seiders | D3/318 |
| 7,762,294 | B2 * | 7/2010 | Wang | A45C 3/06 | D798,670 | S * | 10/2017 | Seiders | D7/607 |
| | | | | 150/104 | D799,276 | S * | 10/2017 | Seiders | D7/607 |
| D621,609 | S * | 8/2010 | Hasty | D3/232 | D799,277 | S * | 10/2017 | Seiders | D7/607 |
| D626,329 | S * | 11/2010 | Chapelier | D3/232 | D802,297 | S * | 11/2017 | Dumas | D3/232 |
| D629,612 | S * | 12/2010 | Weldon | D3/318 | D802,373 | S * | 11/2017 | Seiders | D7/607 |
| D630,844 | S * | 1/2011 | Wang | D3/232 | D805,851 | S * | 12/2017 | Sullivan | D7/607 |
| D632,074 | S * | 2/2011 | Chan | D3/232 | D808,157 | S * | 1/2018 | Viger | D3/245 |
| D637,809 | S * | 5/2011 | Meldeau | D3/232 | D808,655 | S * | 1/2018 | Seiders | D3/318 |
| D651,397 | S * | 1/2012 | Lett | D3/238 | D808,730 | S * | 1/2018 | Sullivan | D7/607 |
| 8,092,087 | B2 * | 1/2012 | Simhony | A45F 3/04 | D811,746 | S * | 3/2018 | Seiders | D3/318 |
| | | | | 383/25 | D814,793 | S * | 4/2018 | Dean | D3/318 |
| 8,132,601 | B2 * | 3/2012 | Wang | B65D 31/12 | D814,879 | S * | 4/2018 | Larson | D7/607 |
| | | | | 150/113 | D817,106 | S * | 5/2018 | Larson | D7/607 |
| D663,522 | S * | 7/2012 | Schiffman | D3/232 | D817,107 | S * | 5/2018 | Larson | D7/607 |
| D673,772 | S * | 1/2013 | Munson | D3/246 | D819,967 | S * | 6/2018 | Carter | D3/246 |
| D684,767 | S * | 6/2013 | Gerbi | D3/246 | D821,092 | S * | 6/2018 | Starck | D3/217 |
| D686,412 | S * | 7/2013 | Guichot | D3/232 | D821,094 | S * | 6/2018 | Dragicevic | D3/246 |
| D690,100 | S * | 9/2013 | Alfaks | D3/234 | D821,825 | S * | 7/2018 | Sullivan | D7/607 |
| D695,568 | S * | 12/2013 | Hayes | D7/392 | D822,987 | S * | 7/2018 | Seiders | D3/246 |
| D701,041 | S * | 3/2014 | Burnett | D3/245 | D822,997 | S * | 7/2018 | Seiders | D3/318 |
| D711,096 | S * | 8/2014 | Hanna | D3/232 | D822,998 | S * | 7/2018 | Seiders | D3/318 |
| | | | | | D822,999 | S * | 7/2018 | Seiders | D3/318 |
| | | | | | D823,601 | S * | 7/2018 | Seiders | D3/318 |
| | | | | | D823,602 | S * | 7/2018 | Seiders | D3/318 |
| | | | | | D824,731 | S * | 8/2018 | Sullivan | D7/607 |
| | | | | | D830,132 | S * | 10/2018 | Sullivan | D7/607 |
| | | | | | D830,133 | S * | 10/2018 | Sullivan | D7/607 |

(56)

References Cited

U.S. PATENT DOCUMENTS

D830,134 S * 10/2018 Sullivan D7/607
 D832,571 S * 11/2018 Franklin-Daisey D3/201
 D835,949 S * 12/2018 Triska D7/607
 D836,996 S * 1/2019 Jacobsen D7/607
 D837,000 S * 1/2019 Jacobsen D7/607
 D837,001 S * 1/2019 Jacobsen D7/607
 D838,977 S * 1/2019 Dragicevic D3/246
 10,226,110 B2 3/2019 Hayashi
 D844,992 S * 4/2019 Seiders D3/318
 D845,619 S * 4/2019 Cronkshaw D3/232
 D845,626 S 4/2019 Dunleavy et al.
 10,244,841 B2 * 4/2019 Hayashi A45C 3/06
 D851,404 S * 6/2019 Seiders D3/318
 10,384,855 B2 8/2019 Seiders et al.
 D859,813 S * 9/2019 Seiders D3/201
 D860,634 S * 9/2019 Seiders D3/201
 10,413,030 B1 * 9/2019 Douglas A45C 3/06
 D868,545 S 12/2019 Lin et al.
 D871,750 S * 1/2020 Noh D3/201
 2004/0055679 A1 * 3/2004 Gordon A45C 13/02
 150/112
 2005/0028910 A1 * 2/2005 Duty A45C 3/04
 150/128
 2006/0198562 A1 * 9/2006 Mogil A45C 7/0077
 383/121.1
 2006/0201979 A1 * 9/2006 Achilles B62B 3/1464
 224/411
 2010/0084443 A1 * 4/2010 Adelman A45C 7/0059
 224/153
 2010/0200450 A1 * 8/2010 Weed A45C 7/0077
 206/459.5
 2010/0282378 A1 * 11/2010 Scozzafava A45C 13/30
 150/104
 2011/0036473 A1 * 2/2011 Chan A45C 13/02
 150/104
 2011/0167863 A1 * 7/2011 Herrbold F25D 3/08
 62/457.1
 2011/0283519 A1 * 11/2011 Pranger A45C 13/1046
 29/525.01
 2011/0311166 A1 * 12/2011 Pascua A45C 3/10
 383/41
 2012/0328220 A1 * 12/2012 Kayata A45C 3/10
 383/40
 2014/0248003 A1 * 9/2014 Mogil B65D 81/389
 383/3
 2014/0369629 A1 * 12/2014 De La Fuente Lara
 B65D 33/065
 383/17
 2015/0225164 A1 * 8/2015 Seiders A45C 13/103
 220/592.25
 2015/0265020 A1 * 9/2015 McCue A45C 13/03
 206/216
 2016/0083147 A1 * 3/2016 Mauro A45C 13/008
 383/22
 2016/0338462 A1 * 11/2016 Hayashi A45C 3/06
 2017/0036844 A1 * 2/2017 Seiders A45C 3/00
 2017/0071304 A1 * 3/2017 Wang A45C 13/008
 2017/0099920 A1 * 4/2017 Bailey A45C 3/001
 2018/0317620 A1 * 11/2018 Larson A44B 19/32

FOREIGN PATENT DOCUMENTS

CA 2548064 A1 11/2007
 CN 2188899 Y 2/1995
 CN 1378928 A 11/2002
 CN 1533868 A 10/2004
 CN 2855170 Y 1/2007
 CN 201011906 Y 1/2008
 CN 201409565 Y 2/2010
 CN 302137314 10/2012
 CN 302868215 7/2014
 CN 302877656 7/2014
 CN 204499726 U 7/2015

CN 304154180 6/2017
 CN 304181831 6/2017
 CN 304207295 7/2017
 CN 304342577 11/2017
 CN 206760980 U 12/2017
 CN 304527075 3/2018
 EM 000122668-0002 5/2004
 EM 001067250-0003 2/2009
 EM 001188460-0003 2/2010
 EM 001188460-0004 2/2010
 EM 001909490-0001 8/2011
 EM 001952722-0008 11/2011
 EM 002073452-0001 8/2012
 EM 002085308-0003 8/2012
 EM 002163527-0017 1/2013
 EM 002225706-0001 5/2013
 EM 002262436-0001 7/2013
 EM 002264697-0002 7/2013
 EM 002284729-0004 8/2013
 EM 002476853-0001 6/2014
 EM 002476853-0002 6/2014
 EM 002530519-0001 9/2014
 EM 002605345-0004 12/2014
 EM 002609404-0001 1/2015
 EM 002676536-0001 6/2015
 EM 003117324-0009 5/2016
 EM 003329929-0001 8/2016
 EM 003409044-0008 10/2016
 EM 003504331-0027 12/2016
 EM 003733021-0001 2/2017
 EP 0037545 A2 10/1981
 EP 1386557 A1 2/2004
 EP 003811264-0010 3/2017
 EP 003841857-0002 4/2017
 EP 004122430-0001 8/2017
 EP 004162337-0001 9/2017
 EP 004162337-0002 9/2017
 EP 004162337-0003 9/2017
 EP 004162337-0004 9/2017
 EP 004162337-0005 9/2017
 EP 004162337-0006 9/2017
 EP 004424059-0002 10/2017
 EP 004417749-0003 11/2017
 EP 004494086-0016 11/2017
 EP 004494086-0017 11/2017
 EP 002719245-0001 1/2018
 EP 005269248-0002 5/2018
 EP 005303559-0001 7/2018
 EP 005303559-0003 7/2018
 FR 1113757 A 4/1956
 WO 2007071150 A1 6/2007
 WO 2017017596 A1 2/2017
 WO 2017079315 A1 5/2017
 WO 2017088278 A1 6/2017
 WO 2017132598 A1 8/2017

OTHER PUBLICATIONS

Reusable Shopping Bag, ADK Packworks™ The Packbasket™
 Reusable Shopping Bag, [retrieved Jun. 13, 2017], Date unknown but at least as early as Jun. 13, 2017.
 FRAKTA Shopping bag, <http://www.ikea.com/us/en/catalog/products/17228340/>, [retrieved Jun. 13, 2017], Date unknown but at least as early as Jun. 13, 2017.
 3Pcs Eco Friendly Large Capacity Reuseable Shopping bag, <http://www.dhgate.com/product/3pcs-eco-friendly-large-capacity-reuseable/395600522.html#s2-28-1;disc%7C2511216197>, [retrieved Jun. 13, 2017], Date unknown but as early as Jun. 13, 2017.
 Wholesale Shopping Bag, <http://www.dhgate.com/product/2017-factory-wholesale-shopping-bags-polyester/394587619.html#s1-9-1;disc%7C3274647288>, [retrieved Jun. 13, 2017], Date unknown but as early as Jun. 13, 2017.
 Press Release—Portable Hopper 30 Cooler [online], [retrieved Jun. 14, 2017], Retrieved from Internet <URL: <http://yeti.com/press-releases/hopper-30>>; 2 color sheets, Dated Jul. 9, 2014.

(56)

References Cited

OTHER PUBLICATIONS

Yeti Reinvents the Hopper [online], [retrieved Jun. 14, 2017], Retrieved from Internet <URL: <http://yeti.com/press-releases/hopper-two-soft-cooler>>; 2 color sheets, Dated Feb. 1, 2017.

RTIC, "Large Beach Bag", <<https://www.rticcoolers.com/shop/travel/Large-Beach-Bag-Sky-Blue>> [retrieved Dec. 26, 2018], Date unknown but at least as early as Dec. 26, 2018.

RTIC, "RTIC Large Beach Bag" (<https://www.amazon.com/RTIC-Large-Beach-Bag/dp/B07FQYKF8Q?th=1>), first available online Jul. 20, 2018. (Year: 2018).

Jul. 26, 2019—(CN) First Office Action—App 20180157521.6.

Mar. 30, 2020—(CN) Office Action—App. No. 201810157521.6.

Apr. 23, 2020—U.S. Final Office Action—U.S. Appl. No. 15/903,867.

United States District Court Western District of Texas, Austin Division, "Complaint for Damages and Injunctive Relief for: (1)-(12) Patent Infringement in Violation of 35 U.S.C. § 271; and (13) Breach of Contract", *Yeti Coolers, LLC v. RTIC Outdoors, LLC; and Corporate Support & Fulfillment, LLC*, Case 1:21-cv-00214, filed Mar. 5, 2021, 338 pages.

United States District Court Southern District of Texas Houston Division, "Plaintiff Yeti's Complaint for Patent Infringement", *Yeti Coolers, LLC v. Igloo Products Corporation*, Case 4:21-cv-00505, filed Feb. 12, 2021, 98 pages.

* cited by examiner

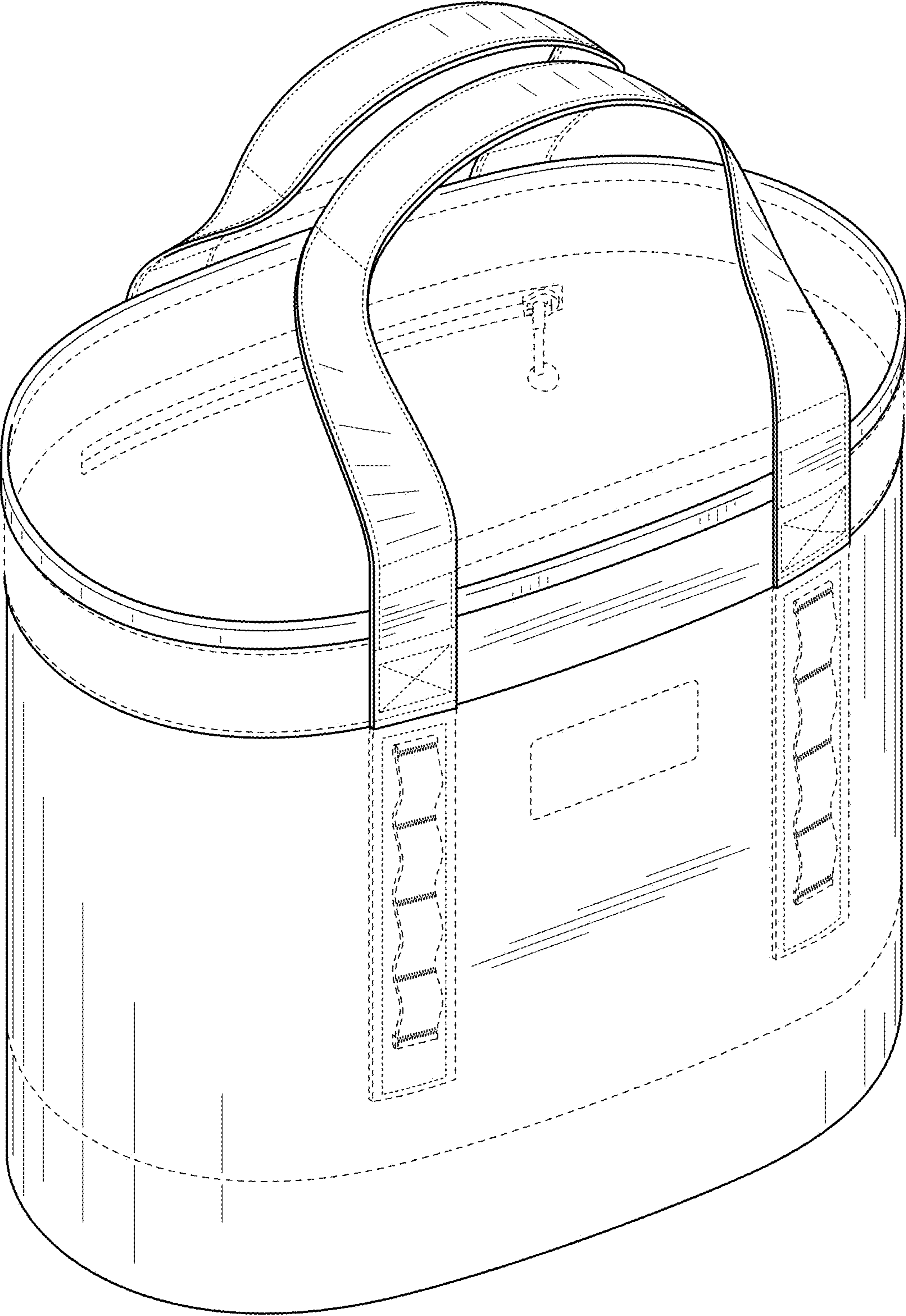


FIG. 1

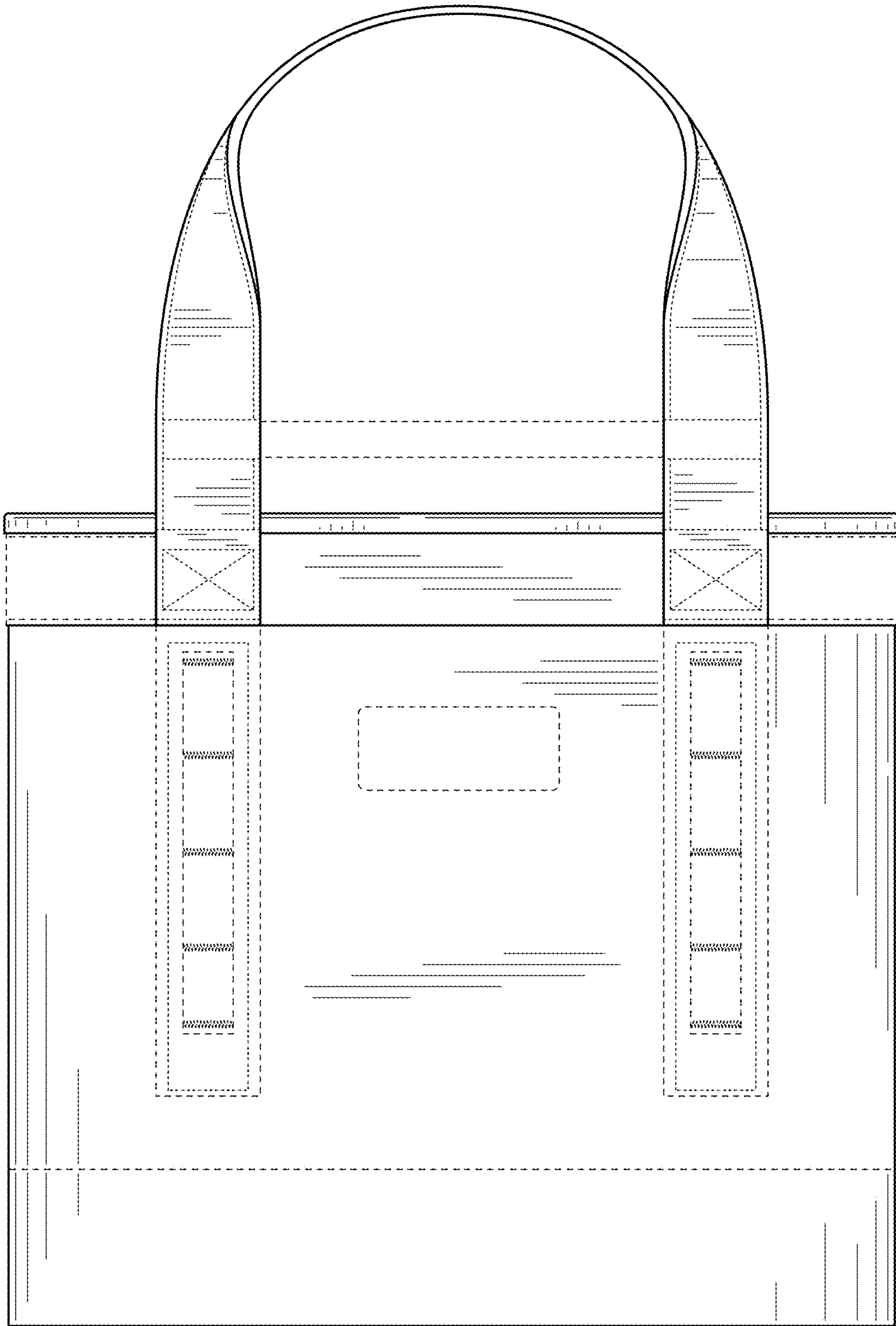


FIG. 2

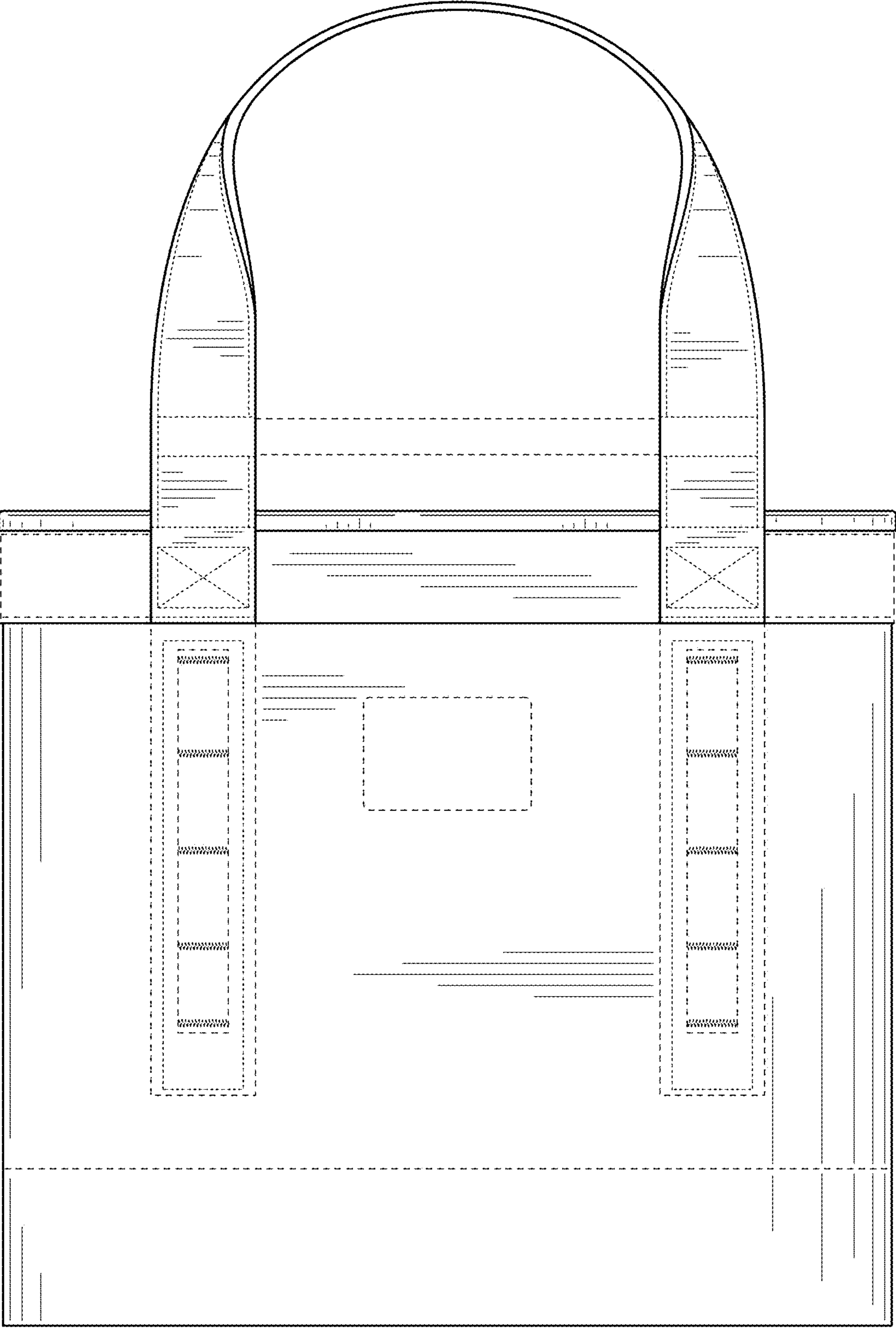


FIG. 3

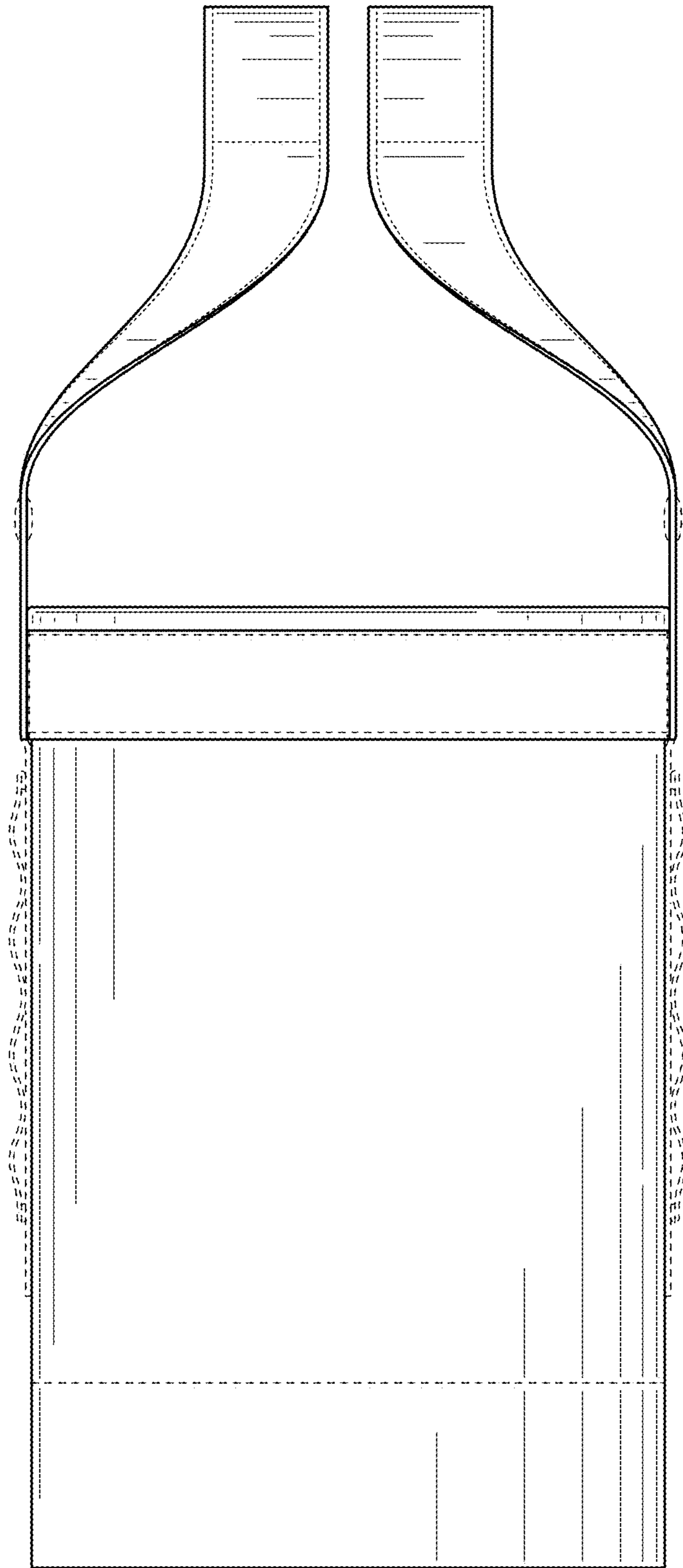


FIG. 4

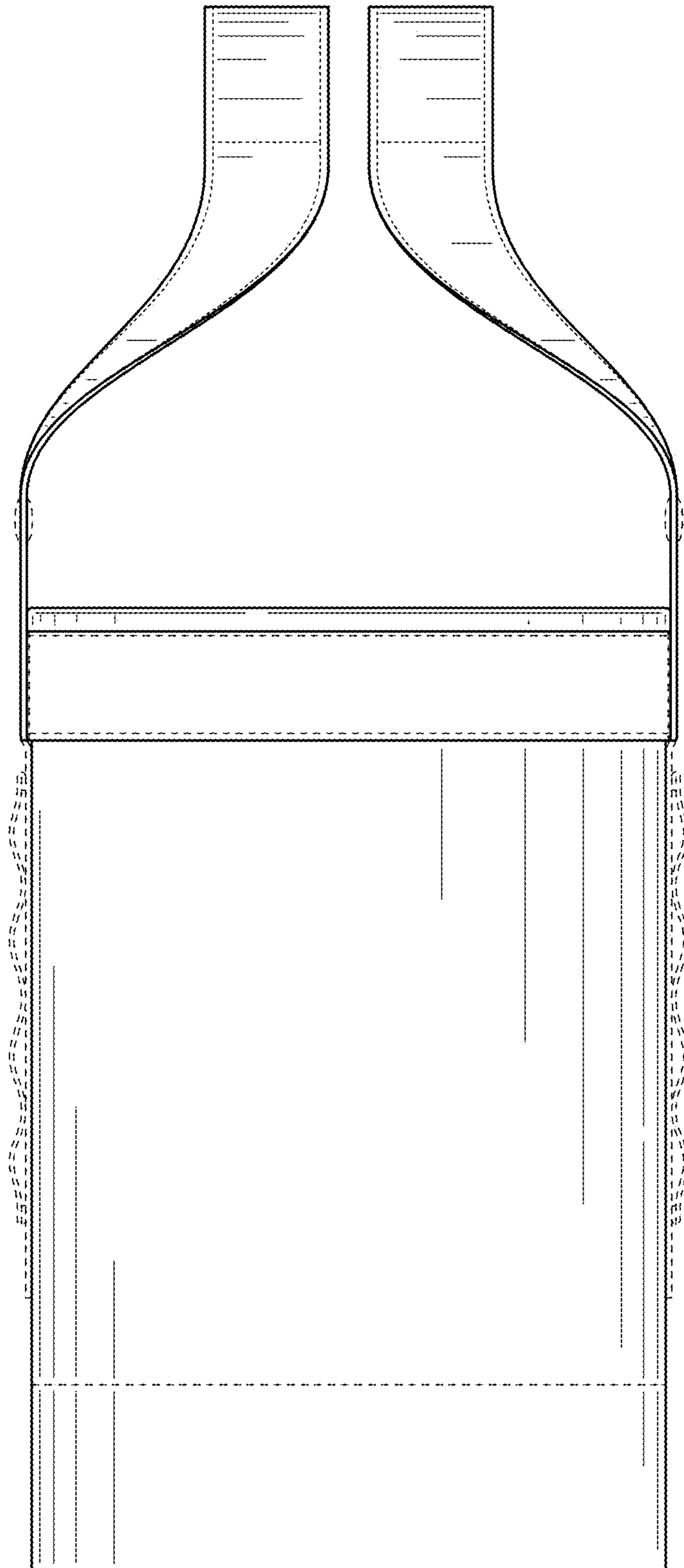


FIG. 5