



US00D923313S

(12) **United States Design Patent**  
**Rauner**

(10) **Patent No.:** **US D923,313 S**  
(45) **Date of Patent:** **\*\* Jun. 29, 2021**

(54) **SHOE**

(71) Applicant: **Converse Inc.**, Boston, MA (US)

(72) Inventor: **Amy Nicole Rauner**, Somerville, MA (US)

(73) Assignee: **Converse Inc.**, Boston, MA (US)

(\*\*) Term: **15 Years**

(21) Appl. No.: **29/713,001**

(22) Filed: **Nov. 13, 2019**

(51) **LOC (13) Cl.** ..... **02-04**

(52) **U.S. Cl.**

USPC ..... **D2/972**; D2/969

(58) **Field of Classification Search**

USPC ..... D2/896, 900, 902, 904, 906–908,  
D2/916–924, 925–945, 969, 970–979;  
36/1.5, 3 A, 83, 45, 99, 101, 112–116,  
36/136

CPC ..... A43B 23/00; A43B 23/02; A43B 23/04;  
A43B 23/07; A43B 23/024; A43B  
23/0245; A43B 23/025; A43B 23/026;  
A43B 23/265; A43B 23/14; A43B 23/16;  
A43B 23/24; A43B 23/26; A43B 5/00;  
A43B 5/001; A43B 5/002; A43B 5/003;  
A43B 5/008; A43B 5/06; A43B 5/08;  
A43B 5/10; A43B 5/12; A43B 5/14;  
A43B 5/145; A43B 1/00; A43B 1/02;  
A43B 1/04; A43B 1/0045; A43B 3/12;  
A43B 7/00; A43B 9/00; A43B 9/08;  
A43B 9/14; A43B 9/16; A43B 11/00;  
A43B 21/00; A43B 21/02; A43B 21/04;  
A43B 21/06; A43C 1/00; A43C 1/003;  
A43C 1/06; A43C 3/00; A43C 5/00;  
A43C 7/00; A43C 11/00

See application file for complete search history.

(56) **References Cited**

**U.S. PATENT DOCUMENTS**

D149,139 S 3/1948 Parker  
D319,723 S \* 9/1991 Greene ..... D2/969

D600,901 S \* 9/2009 St-Louis ..... D2/969  
D613,041 S \* 4/2010 Thompson ..... D2/902  
D618,897 S \* 7/2010 Liles ..... A43B 23/24  
D2/972  
D653,024 S \* 1/2012 LaRusso ..... D2/969  
D662,696 S \* 7/2012 Baker ..... D2/946  
D677,874 S \* 3/2013 Hardman ..... D2/972  
D773,168 S \* 12/2016 Cin ..... D2/973  
D773,793 S \* 12/2016 Goldstein ..... D2/970  
D782,176 S \* 3/2017 Vega ..... D2/972  
D787,802 S \* 5/2017 da Costa Pereira Machado .....  
D2/972

D790,193 S \* 6/2017 Mueller ..... D2/972  
(Continued)

**OTHER PUBLICATIONS**

Alt Exploration Chuck 70, Converse.com, [online], [site visited Mar. 10, 2021]. <URL: [https://www.converse.com/shop/p/alt-exploration-chuck-70-unisex-high-top-shoe/170128C.html?dwvar\\_170128C\\_color=egret%20flight%20field%20surplus&styleNo=170128C&cgid=mens-high-top-shoes](https://www.converse.com/shop/p/alt-exploration-chuck-70-unisex-high-top-shoe/170128C.html?dwvar_170128C_color=egret%20flight%20field%20surplus&styleNo=170128C&cgid=mens-high-top-shoes)> (Year: 2021).\*

(Continued)

*Primary Examiner* — T Chase Nelson  
*Assistant Examiner* — Jonathan J. Han  
(74) *Attorney, Agent, or Firm* — Banner & Witcoff, Ltd.

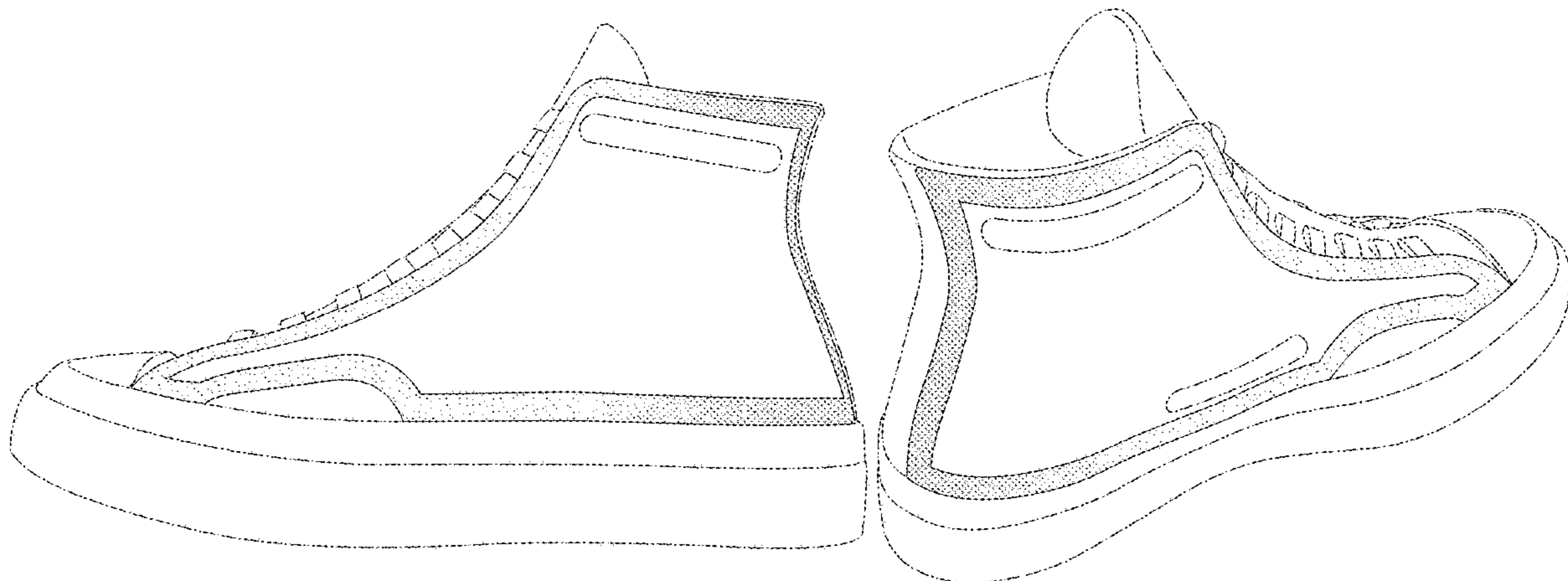
(57) **CLAIM**

The ornamental design for a shoe, as shown and described.

**DESCRIPTION**

FIG. 1 is a side view of a shoe showing my new design;  
FIG. 2 is a rear perspective view thereof;  
FIG. 3 is a rear view thereof;  
FIG. 4 is an opposite side rear perspective view thereof; and,  
FIG. 5 is an opposite side view thereof.  
The broken lines depicting the remainder of the shoe form no part of the claimed design.

**1 Claim, 5 Drawing Sheets**



(56)

**References Cited**

## U.S. PATENT DOCUMENTS

D792,694	S	*	7/2017	Cin	.....	D2/969
D798,577	S	*	10/2017	Gibson	.....	D2/972
D799,190	S	*	10/2017	Enayah	.....	D2/972
D799,806	S	*	10/2017	Atwell	.....	D2/972
D812,891	S		3/2018	Blauer et al.		
D813,515	S		3/2018	Mondesir		
D813,517	S	*	3/2018	Fallon	.....	D2/972
D829,432	S	*	10/2018	Sokol	.....	D2/973
D831,321	S	*	10/2018	Spring	.....	D2/971
D835,391	S	*	12/2018	Durflinger	.....	D2/972
D835,393	S	*	12/2018	Durflinger	.....	D2/973
D846,862	S	*	4/2019	Anceresi	.....	D2/972
D877,476	S	*	3/2020	Behr	.....	D2/972
D879,452	S	*	3/2020	Raasch	.....	D2/972
D882,933	S	*	5/2020	Van Atta	.....	D2/972
D887,117	S	*	6/2020	Carboy	.....	D2/972
D897,641	S	*	10/2020	Martin	.....	D2/902
D902,557	S	*	11/2020	Shyllon	.....	D2/972
D908,336	S	*	1/2021	Odinot	.....	D2/972
D909,028	S	*	2/2021	Beaver	.....	D2/944

## OTHER PUBLICATIONS

Digital Terrain Chuck 70, Converse.com, [online], [site visited Mar. 10, 2021]. <URL: [https://www.converse.com/shop/p/digital-terrain-chuck-70-unisex-high-top-shoe/170141C.html?dwvar\\_170141C\\_color=dark%20soba%2Fblack%2Fhyper%20pink&styleNo=170141C&cgid=mens-high-top-shoes](https://www.converse.com/shop/p/digital-terrain-chuck-70-unisex-high-top-shoe/170141C.html?dwvar_170141C_color=dark%20soba%2Fblack%2Fhyper%20pink&styleNo=170141C&cgid=mens-high-top-shoes)> (Year: 2021).\*

\* cited by examiner

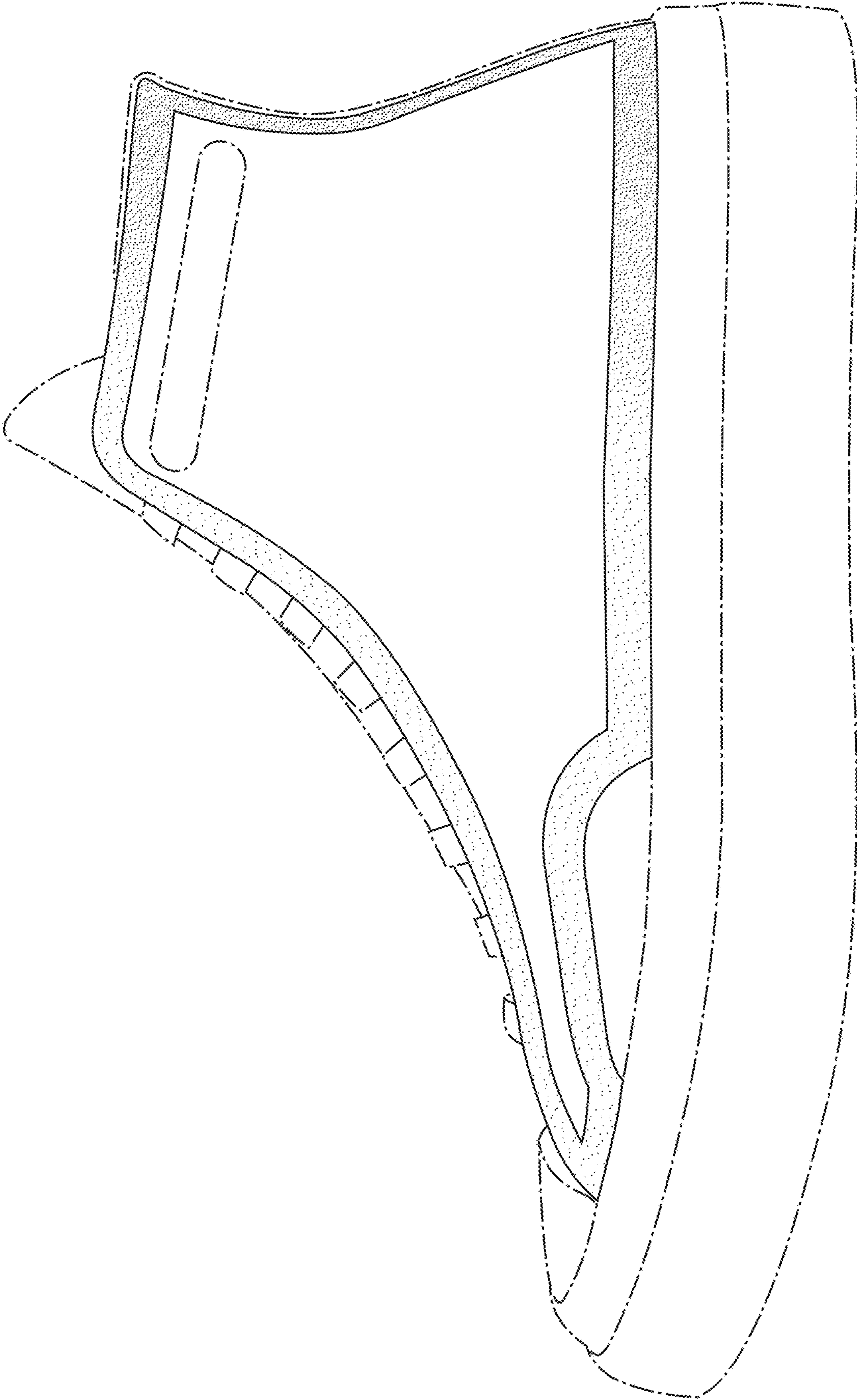


FIG. 1



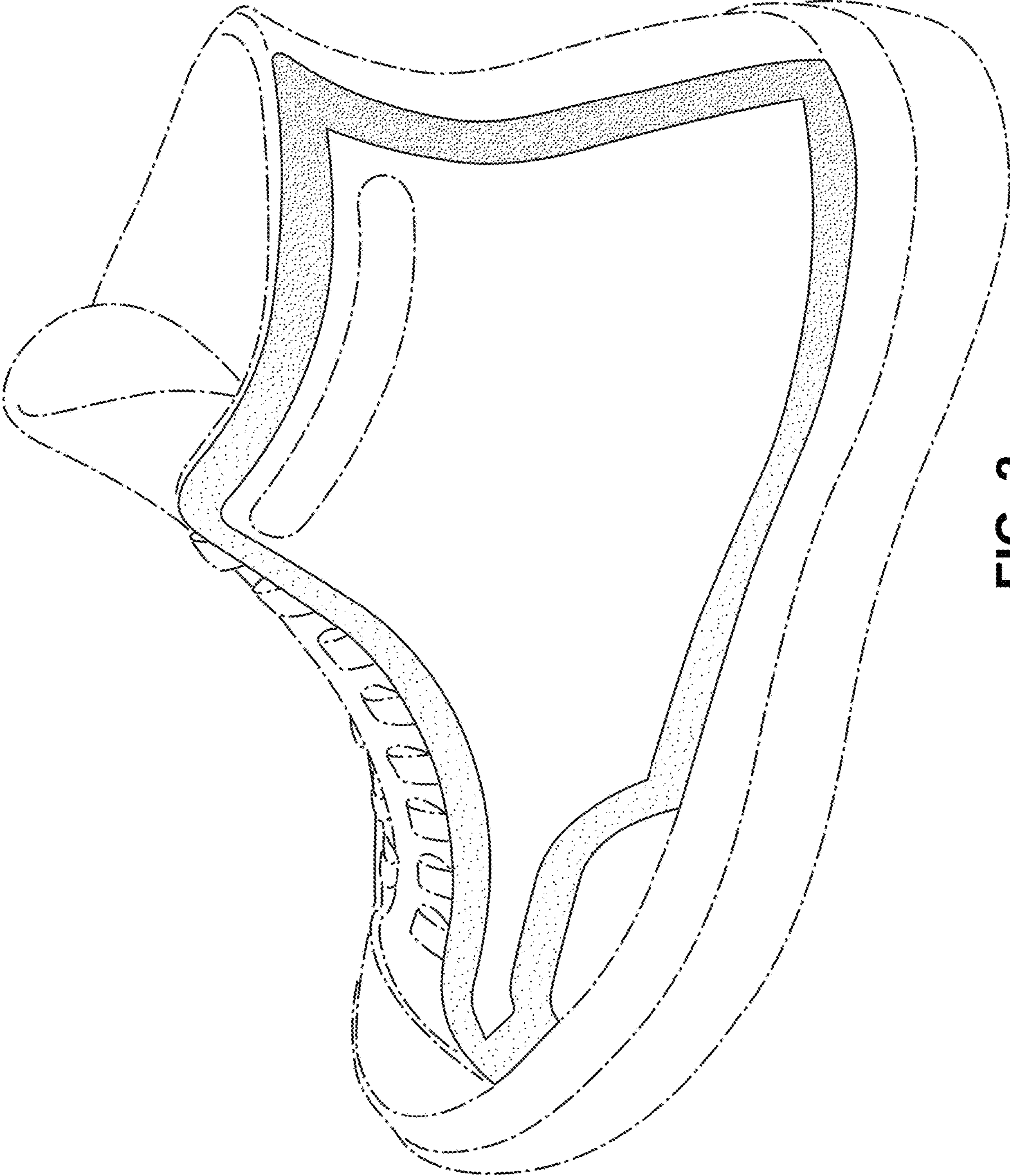


FIG. 2

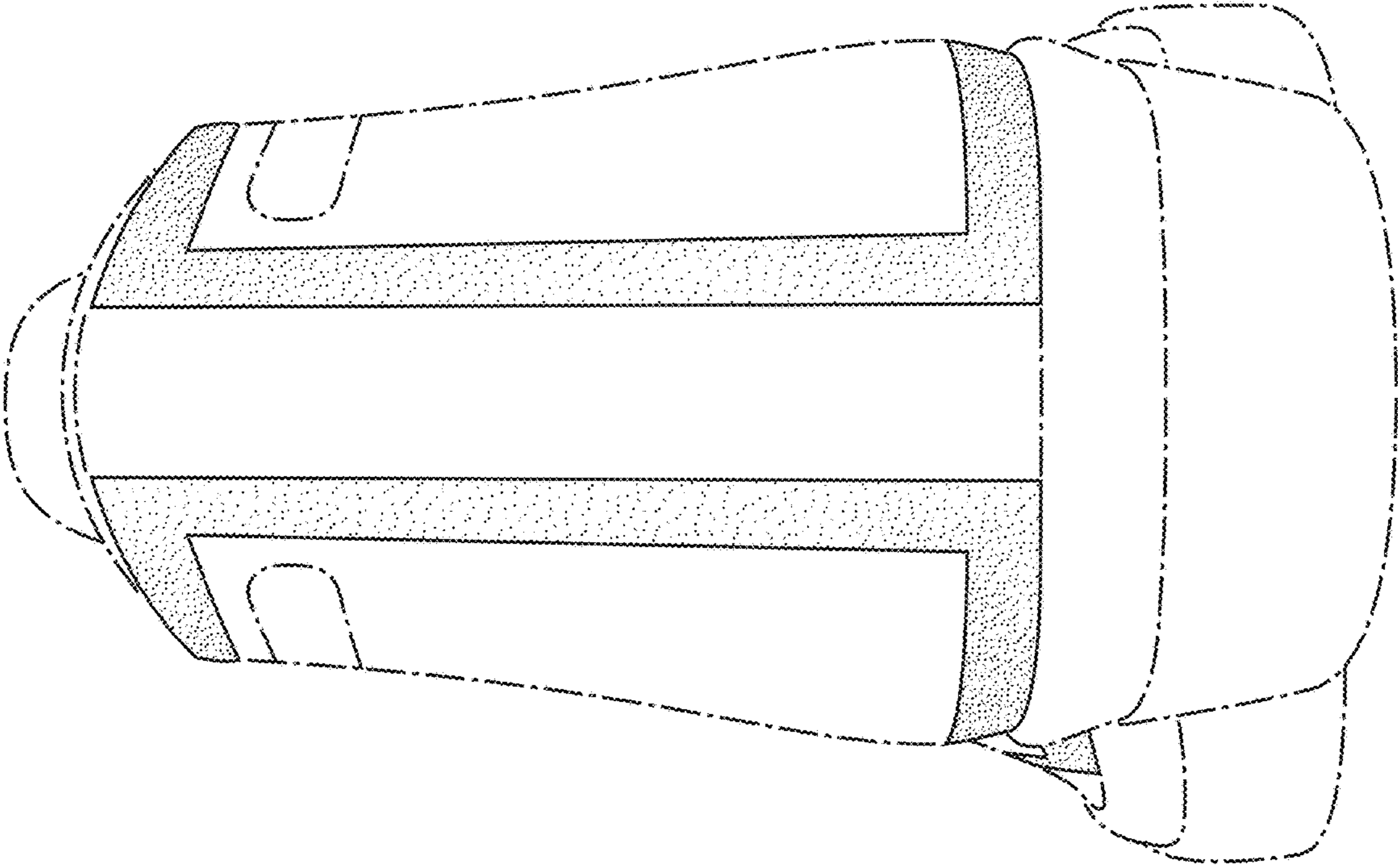
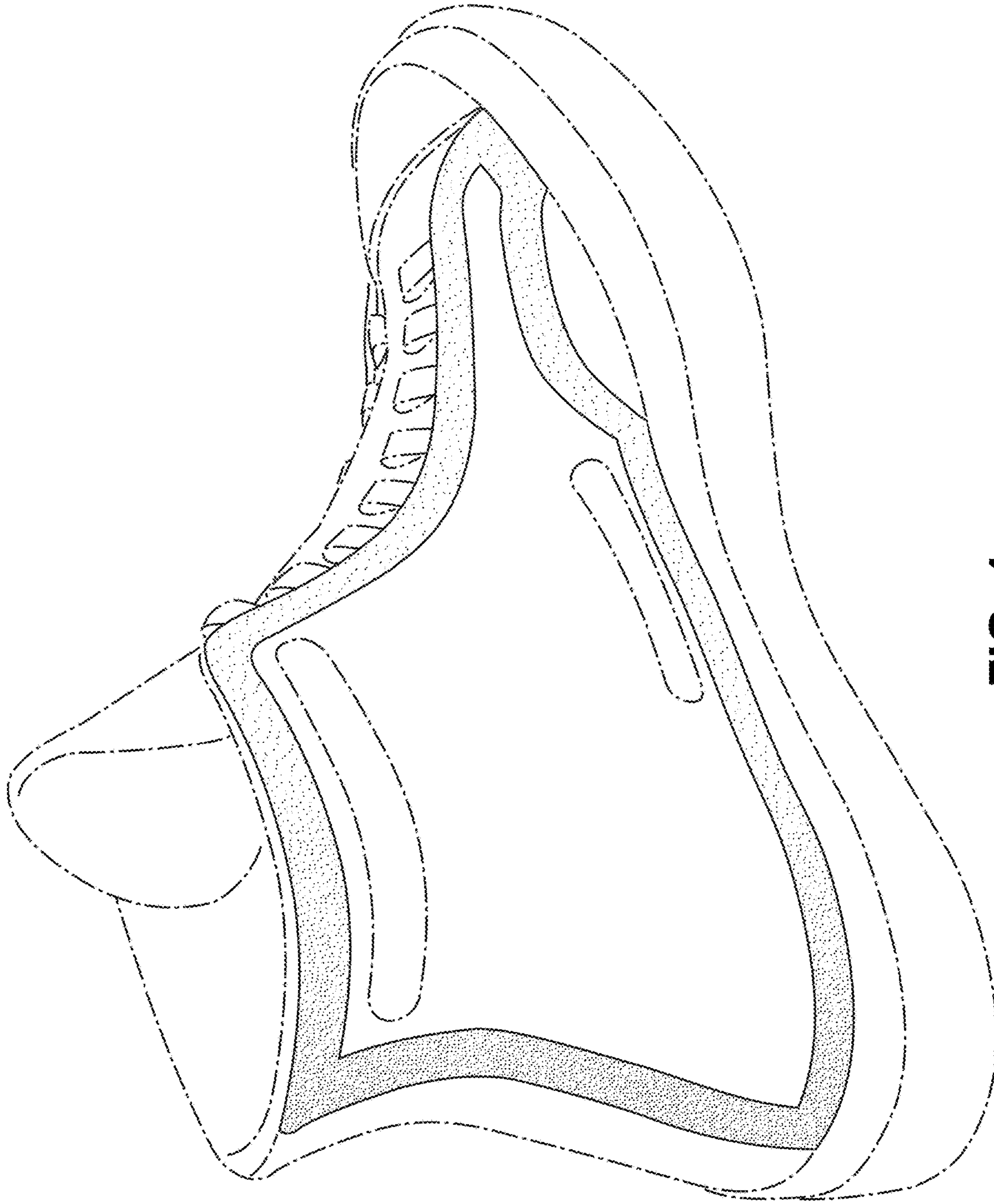


FIG. 3



**FIG. 4**

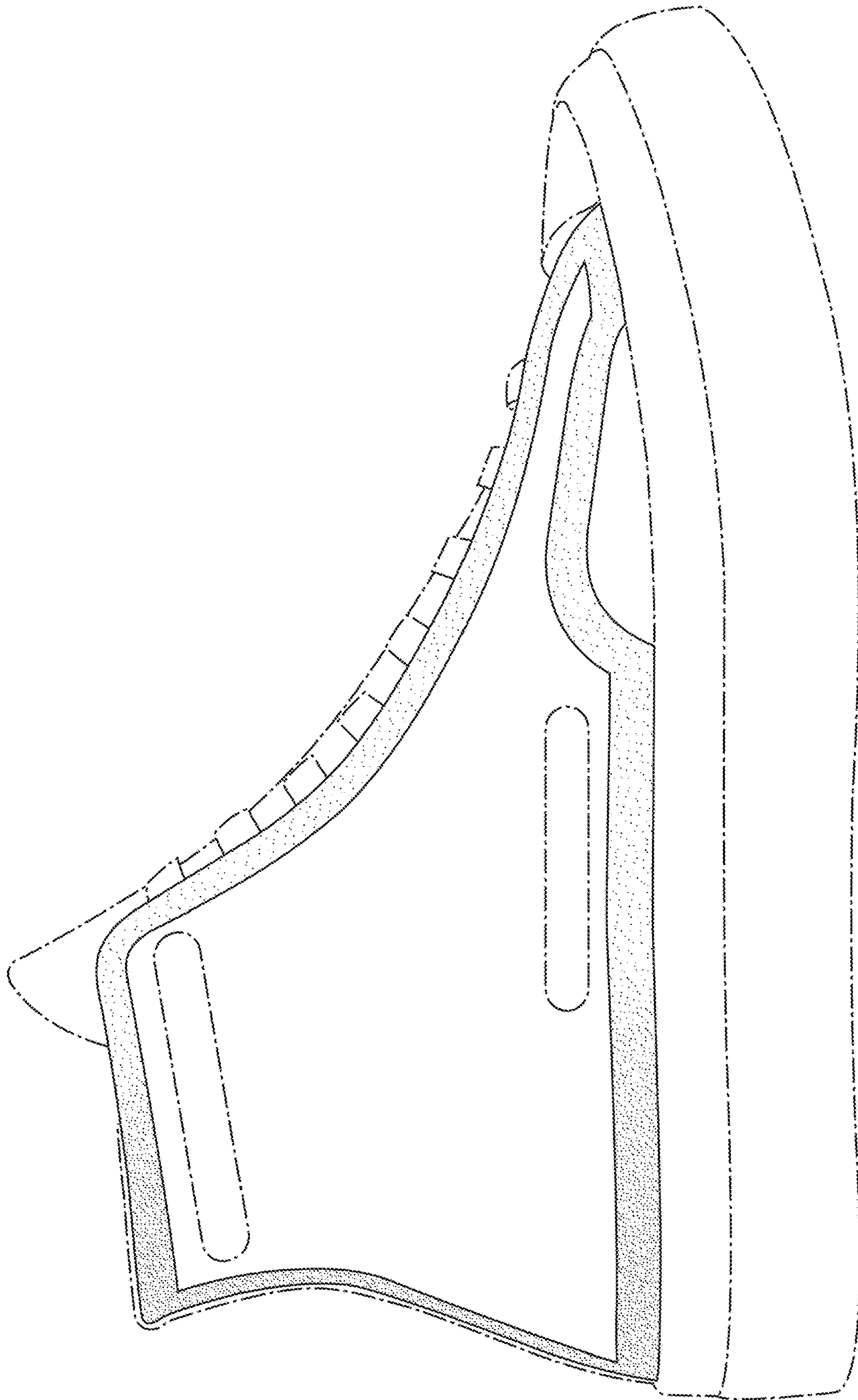


FIG. 5