



US00D923307S

(12) **United States Design Patent**
Weschler

(10) **Patent No.:** **US D923,307 S**
(45) **Date of Patent:** **** Jun. 29, 2021**

- (54) **SHOE OUTSOLE**
- (71) Applicant: **Kevin Weschler**, Philadelphia, PA (US)
- (72) Inventor: **Kevin Weschler**, Philadelphia, PA (US)
- (73) Assignee: **Fuego, Inc.**, Philadelphia, PA (US)
- (**) Term: **15 Years**
- (21) Appl. No.: **29/703,175**
- (22) Filed: **Aug. 26, 2019**
- (51) **LOC (13) Cl.** **02-04**
- (52) **U.S. Cl.**
USPC **D2/955; D2/953; D2/954; D2/956;**
D2/957; D2/960

- (58) **Field of Classification Search**
USPC D2/902, 906, 908, 916, 918, 925,
D2/946–962, 977; 36/1, 1.5, 3 B, 22 R,
36/24.5, 25 R, 28, 32 R, 34 R, 59 C,
36/67 A, 101–107, 114–116, 117.3, 117.4,
36/124–136
CPC A43B 13/00; A43B 13/02; A43B 13/023;
A43B 13/026; A43B 13/04; A43B 13/08;
A43B 13/10; A43B 13/12; A43B 13/14;
A43B 13/141; A43B 13/143; A43B
13/16; A43B 13/18; A43B 13/181; A43B
13/187; A43B 13/189; A43B 13/20; A43B
13/22; A43B 13/223; A43B 13/24; A43B
13/28; A43B 13/30; A43B 13/32; A43B
13/34; A43B 13/36

See application file for complete search history.

(56) **References Cited**

U.S. PATENT DOCUMENTS

D281,641 S	*	12/1985	Shiki	D2/953
D285,984 S	*	10/1986	Tong	D2/955
D290,660 S	*	7/1987	Selbiger	36/32 R
D290,900 S	*	7/1987	Schornstein	D2/916

D293,503 S	*	1/1988	Mitsui	D2/953
D295,460 S	*	5/1988	Hase	D2/955
D300,687 S	*	4/1989	Kelley	D2/961
D303,871 S	*	10/1989	Driscoll	D2/955
D304,259 S	*	10/1989	Nakano	D2/955
D304,521 S	*	11/1989	Clark	D2/955
D305,279 S	*	1/1990	Hase	D2/953
D308,906 S	*	7/1990	Kiyosawa	D2/953
D316,175 S	*	4/1991	Legacki	D2/953
D319,333 S	*	8/1991	Hase	D2/956
D319,336 S	*	8/1991	Mitsui	D2/955
D319,725 S	*	9/1991	Claveria	D2/955
D323,928 S	*	2/1992	Claveria	D2/949
D324,604 S	*	3/1992	Hoshimi	D2/949
D325,808 S	*	5/1992	Austin	D2/955
D395,157 S	*	6/1998	von Conta	D2/955
D530,066 S	*	10/2006	Earle	D2/954

(Continued)

OTHER PUBLICATIONS

Adidas HB Spezial Black Shoes, Handball-Store.com, [online], [site visited Dec. 5, 2020]. <URL: <https://handball-store.com/adidas-hb-spezial-black-shoes>> (Year: 2020).*

(Continued)

Primary Examiner — T Chase Nelson

Assistant Examiner — Jonathan J. Han

(74) *Attorney, Agent, or Firm* — Myers Wolin, LLC

(57) **CLAIM**

The ornamental design for shoe outsole, as shown and described.

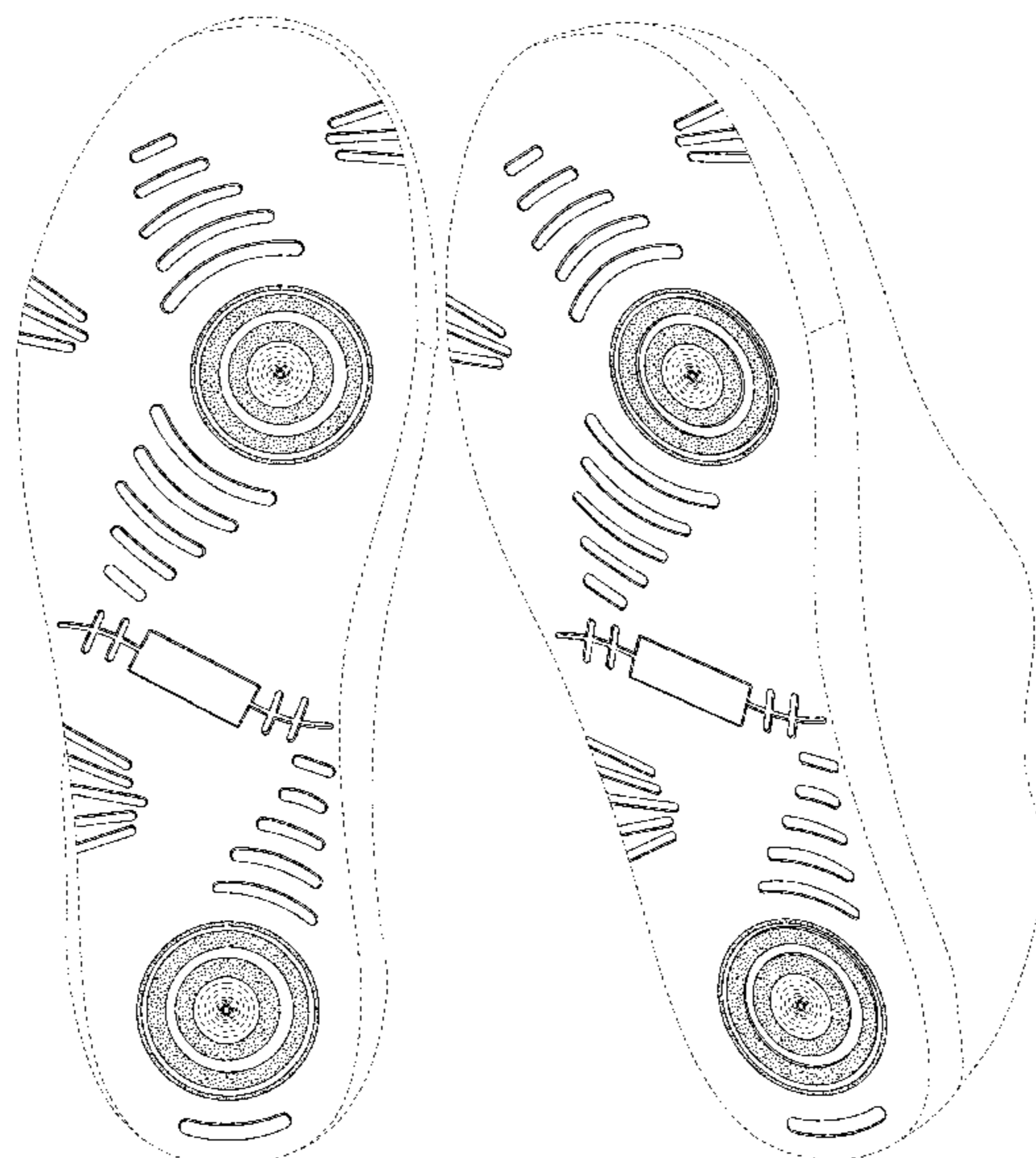
DESCRIPTION

FIG. 1 is a bottom view of the shoe outsole, showing my new design; and,

FIG. 2 is a right side perspective view thereof.

The broken lines in the figure views are for illustrating the shoe environment and portions of the outsole that form no part of the claimed design.

1 Claim, 2 Drawing Sheets



(56)

References Cited

U.S. PATENT DOCUMENTS

D572,445	S	*	7/2008	Matis	D2/952
D573,339	S	*	7/2008	Stauffer	D2/972
D618,895	S	*	7/2010	Wolff	D2/955
D671,724	S	*	12/2012	Avar	D2/955
D722,750	S	*	2/2015	Vella	D2/955
D744,211	S	*	12/2015	Kirschner	D2/954
D793,051	S	*	8/2017	Ngene	D2/955
D793,683	S	*	8/2017	Winfield	D2/955
D793,685	S	*	8/2017	Anceresi	D2/955
D804,791	S	*	12/2017	Shyllon	D2/955
D833,722	S	*	11/2018	Durflinger	D2/955
D837,498	S	*	1/2019	Winfield	D2/955
D840,139	S	*	2/2019	Ikeda	D2/955
D850,770	S	*	6/2019	Ikeda	D2/954
D852,484	S	*	7/2019	Neumann	D2/960
D853,704	S	*	7/2019	Link	D2/955
D855,299	S	*	8/2019	Loverin	D2/955
D877,472	S	*	3/2020	Atwell	D2/955
D885,026	S	*	5/2020	Dean	D2/955
D885,031	S	*	5/2020	Devito	D2/960
D900,437	S	*	11/2020	Mazza	D2/908

OTHER PUBLICATIONS

4.5 Adituff, SkateDeluxe.com, [online], [site visited Dec. 5, 2020].

<URL: <https://www.skatedeluxe.com/blog/en/skate-shoe-technologies/>> (Year: 2020).*

Nike's Self-Lacing Adapt BB Looks Like the 'Back to the Future' Sneakers, FootwearNews.com, By Victor Deng, May 20, 2019 1:52PM PT, [online], [site visited Dec. 5, 2020]. <URL: <https://footwearnews.com/2019/focus/athletic-outdoor/nike-adapt-bb-wolf-gray-release-info-1202783492/>> (Year: 2019).*

* cited by examiner

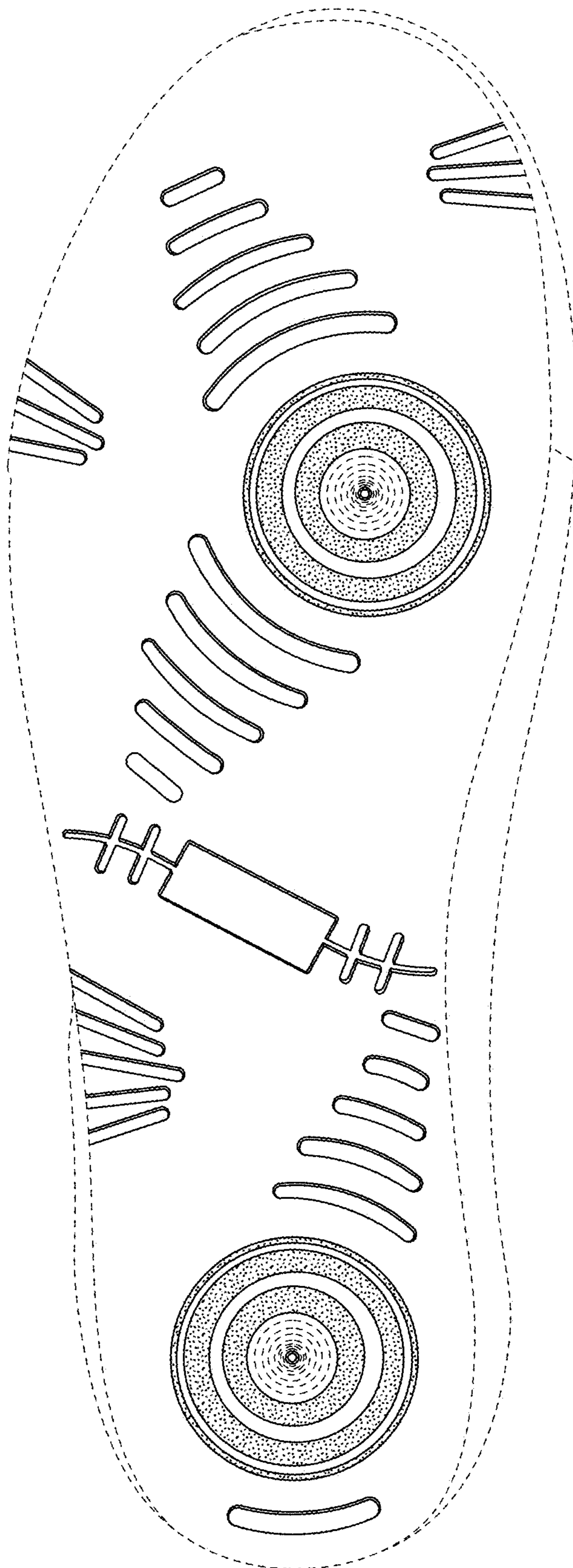


FIG. 1

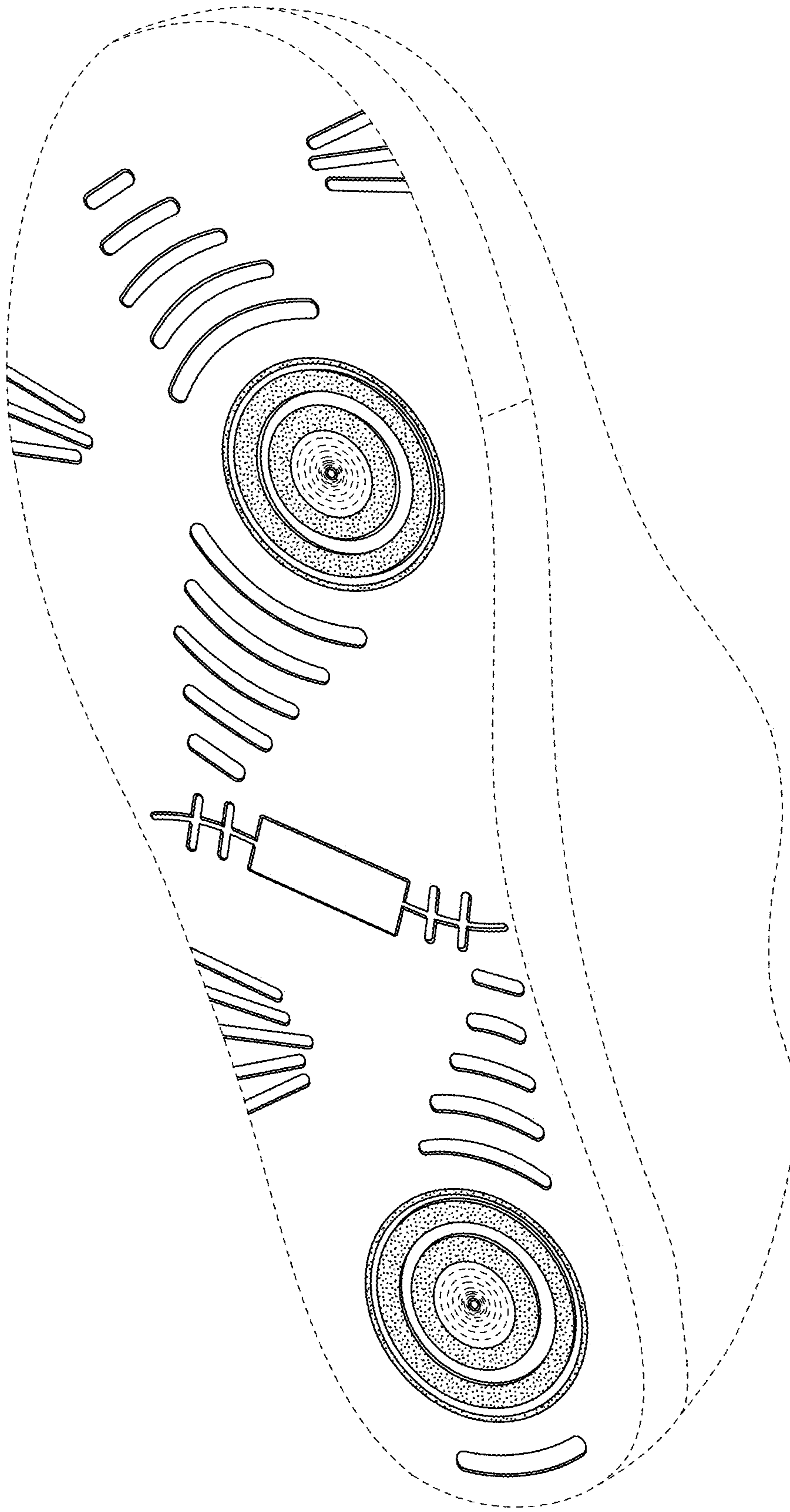


FIG. 2