



US00D923301S

(12) **United States Design Patent**
Strand et al.

(10) **Patent No.:** **US D923,301 S**
(45) **Date of Patent:** **** Jun. 29, 2021**

- (54) **OUTSOLE FOR A FOOTWEAR ARTICLE**
- (71) Applicant: **Fuerst Group, Inc.**, Menlo Park, CA (US)
- (72) Inventors: **Dana Strand**, Portland, OR (US);
Lindsey Johnson, Portland, OR (US)
- (73) Assignee: **Fuerst Group, Inc.**, Menlo Park, CA (US)
- (**) Term: **15 Years**
- (21) Appl. No.: **29/706,744**
- (22) Filed: **Sep. 23, 2019**
- (51) **LOC (13) Cl.** **02-04**
- (52) **U.S. Cl.**
USPC **D2/953; D2/947; D2/951; D2/957; D2/960**
- (58) **Field of Classification Search**
USPC D2/902, 906, 908, 916, 918, 925, D2/946-962, 977; 36/3 B, 22 R, 24.5, 36/25 R, 28, 32 R, 34 R, 59 C, 67 A, 103
CPC A43B 13/00; A43B 13/02; A43B 13/023; A43B 13/026; A43B 13/04; A43B 13/08; A43B 13/10; A43B 13/12; A43B 13/14; A43B 13/141; A43B 13/143; A43B 13/16; A43B 13/18; A43B 13/181; A43B 13/187; A43B 13/189; A43B 13/20; A43B 13/22; A43B 13/223; A43B 13/24; A43B 13/28; A43B 13/30; A43B 13/32; A43B 13/34; A43B 13/36
See application file for complete search history.

D433,791 S *	11/2000	Laberge	D2/947
D434,550 S *	12/2000	LaBerge	D2/947
D437,674 S *	2/2001	Santa	D2/902
D468,083 S *	1/2003	Morais	D2/959
D496,523 S *	9/2004	Fuerst	D2/951

(Continued)

OTHER PUBLICATIONS

Strand, D. et al., "An Ornamental Design for a Footwear Article," U.S. Appl. No. 29/706,743, filed Sep. 23, 2019, 16 pages.

Primary Examiner — T Chase Nelson
(74) *Attorney, Agent, or Firm* — McCoy Russell LLP

(57) **CLAIM**

The ornamental design for an outsole for a footwear article, as shown and described.

DESCRIPTION

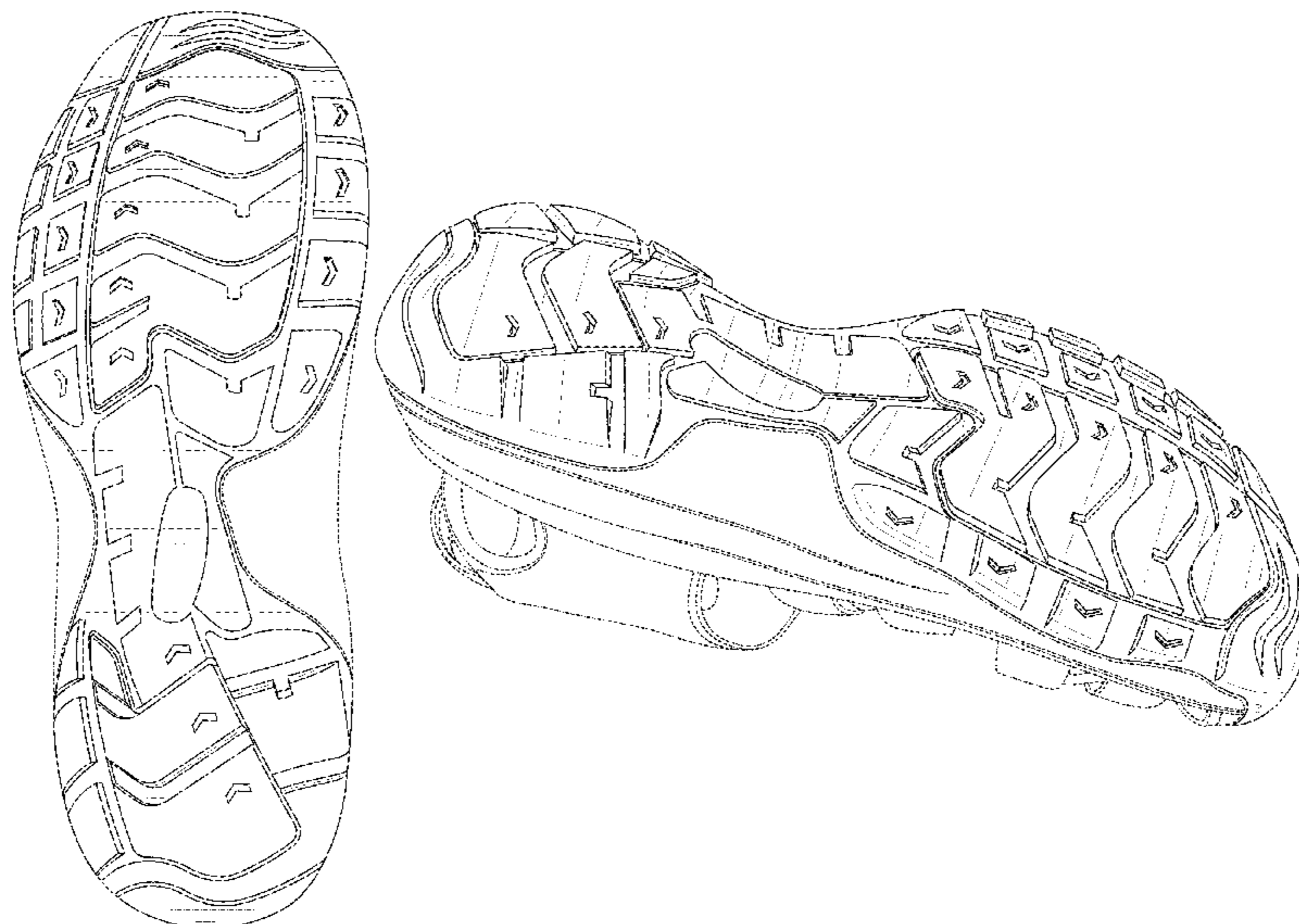
FIG. 1 is outa right side view of an outsole for a footwear article according to the claimed design.
 FIG. 2 is a left side view of the outsole for a footwear article.
 FIG. 3 is a front view of the outsole for a footwear article.
 FIG. 4 is a rear view of the outsole for a footwear article.
 FIG. 5 is a top view of the outsole for a footwear article.
 FIG. 6 is a bottom view of the outsole for a footwear article; and,
 FIG. 7 is a bottom perspective view of the outsole for a footwear article.
 The broken lines depict portions of the outsole as well as environment in the form of footwear. The broken lines and structure they depict form no part of the claimed design. The broken lines in the drawings illustrate environmental subject matter and portions of the outsole for a footwear article that form no part of the claimed design. The recessed channels are positioned adjacent to the tread features at the bottom of the outsole that include the recessed chevron features.

1 Claim, 7 Drawing Sheets

(56) **References Cited**

U.S. PATENT DOCUMENTS

D321,587 S *	11/1991	Hase	D2/959
5,325,611 A *	7/1994	Dyer	A43B 13/12
				36/27
D420,497 S *	2/2000	Panella	D2/947



(56)

References Cited

U.S. PATENT DOCUMENTS

D504,205 S * 4/2005 Andrews-Kramer D2/953
D583,544 S * 12/2008 Fuerst D2/951
D602,683 S * 10/2009 Roundhouse A43B 13/125
D2/951
D695,505 S * 12/2013 Hansen A43B 13/20
D2/960
D717,527 S * 11/2014 Truelsen A43B 3/0057
D2/951
D728,910 S * 5/2015 Hansen A43B 13/12
D2/953
D740,530 S * 10/2015 Truelsen D2/953
D773,163 S * 12/2016 Raasch A43B 13/203
D2/960
D851,368 S * 6/2019 Fuerst, Sr. D2/916
D864,539 S * 10/2019 Fuerst, Sr. D2/957
D874,800 S * 2/2020 Sassi D2/944
D878,716 S * 3/2020 Sassi D2/902
D882,911 S * 5/2020 Zhang D2/910
D894,565 S * 9/2020 Lopez Cali D2/957
D895,939 S * 9/2020 Sassi D2/902
2003/0172548 A1 * 9/2003 Fuerst A43B 13/12
36/28
2006/0156575 A1 * 7/2006 Lo A43B 13/203
36/3 B
2008/0229617 A1 * 9/2008 Johnson A43B 3/0057
36/102
2013/0291404 A1 * 11/2013 Follows A43B 13/20
36/105
2016/0353835 A1 * 12/2016 Hesterberg A43B 7/1495
2017/0095030 A1 * 4/2017 Brandstatter A43B 13/125
2018/0249787 A1 * 9/2018 Fuerst, Sr. A43B 11/00

* cited by examiner

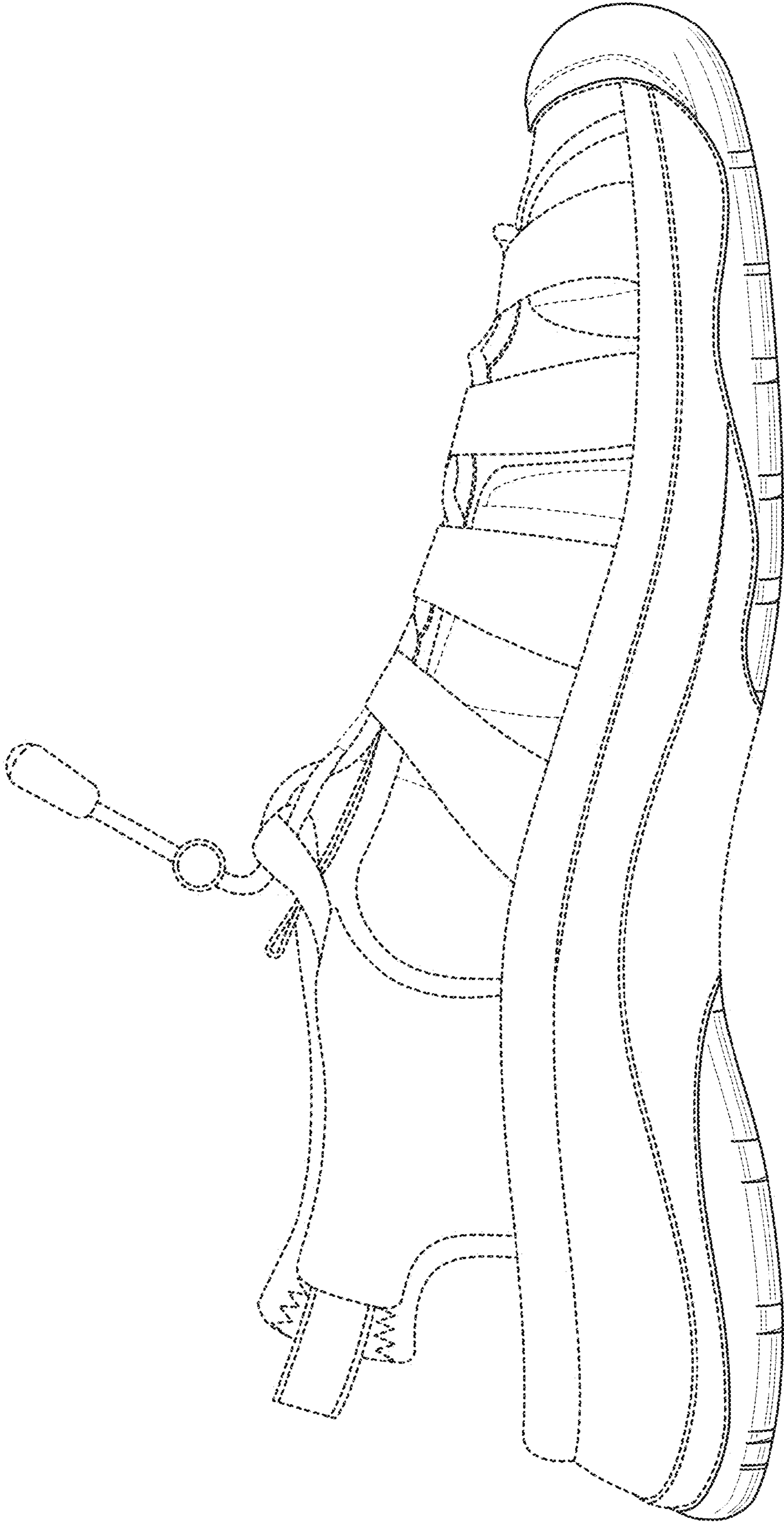


FIG. 1

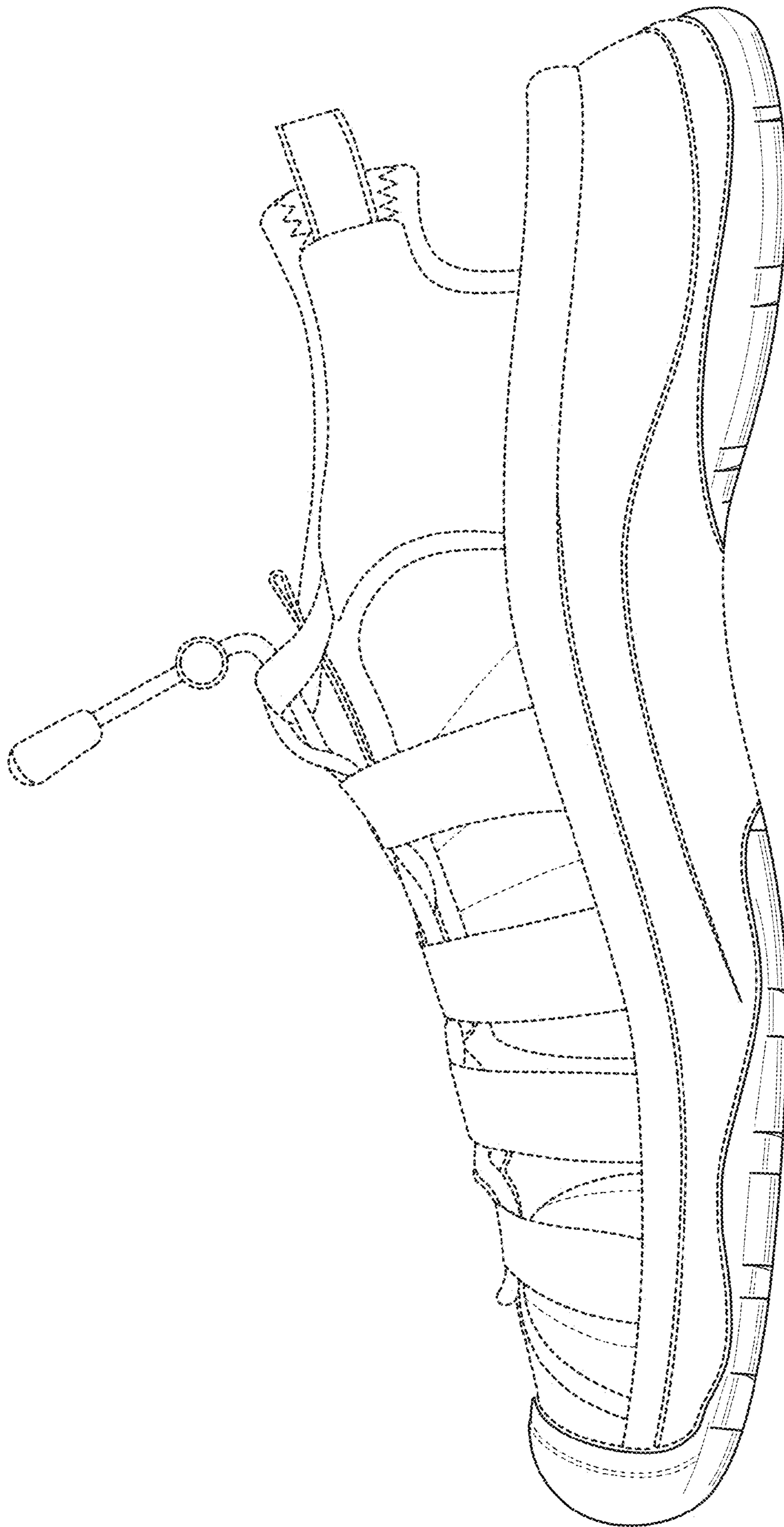


FIG. 2

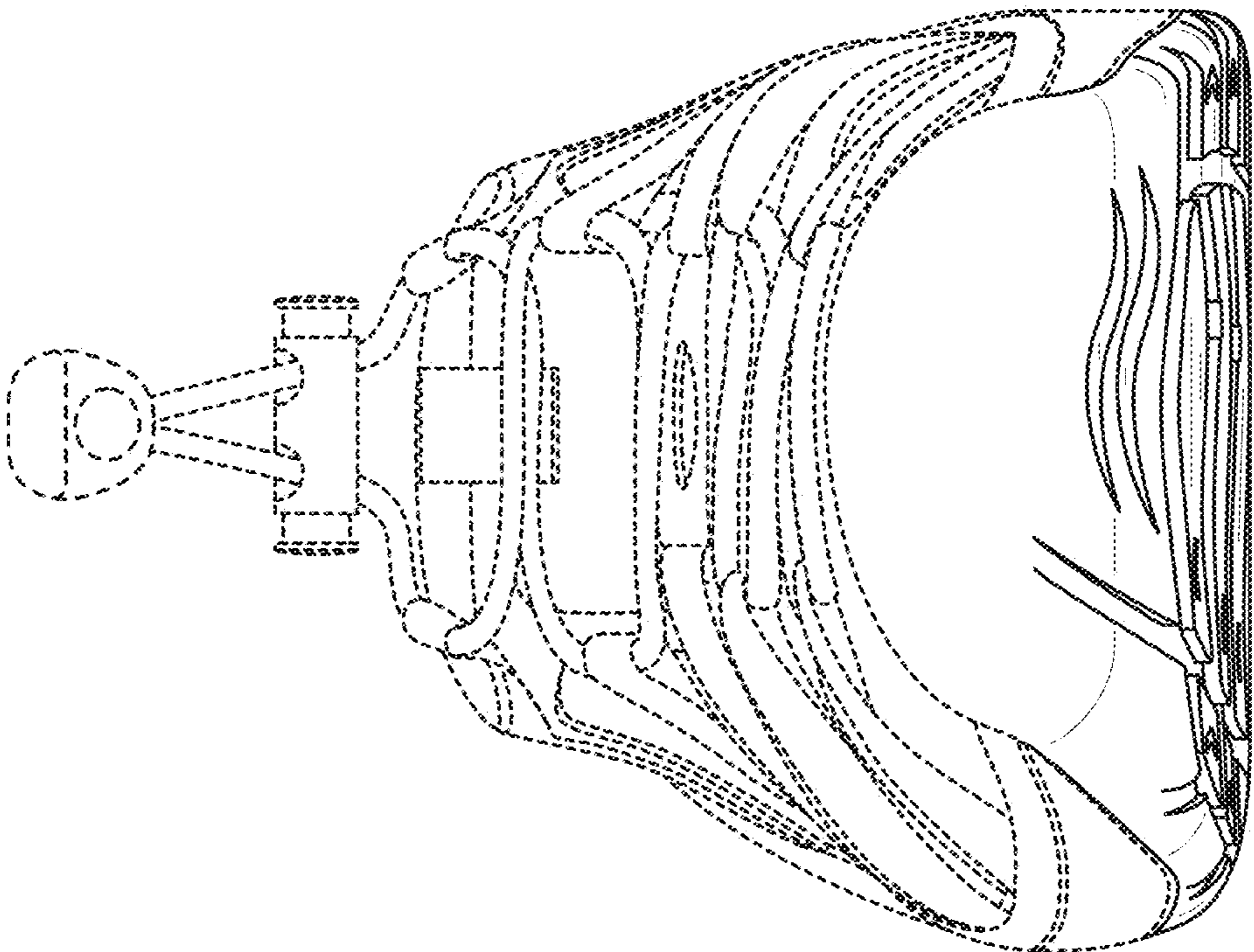


FIG. 3

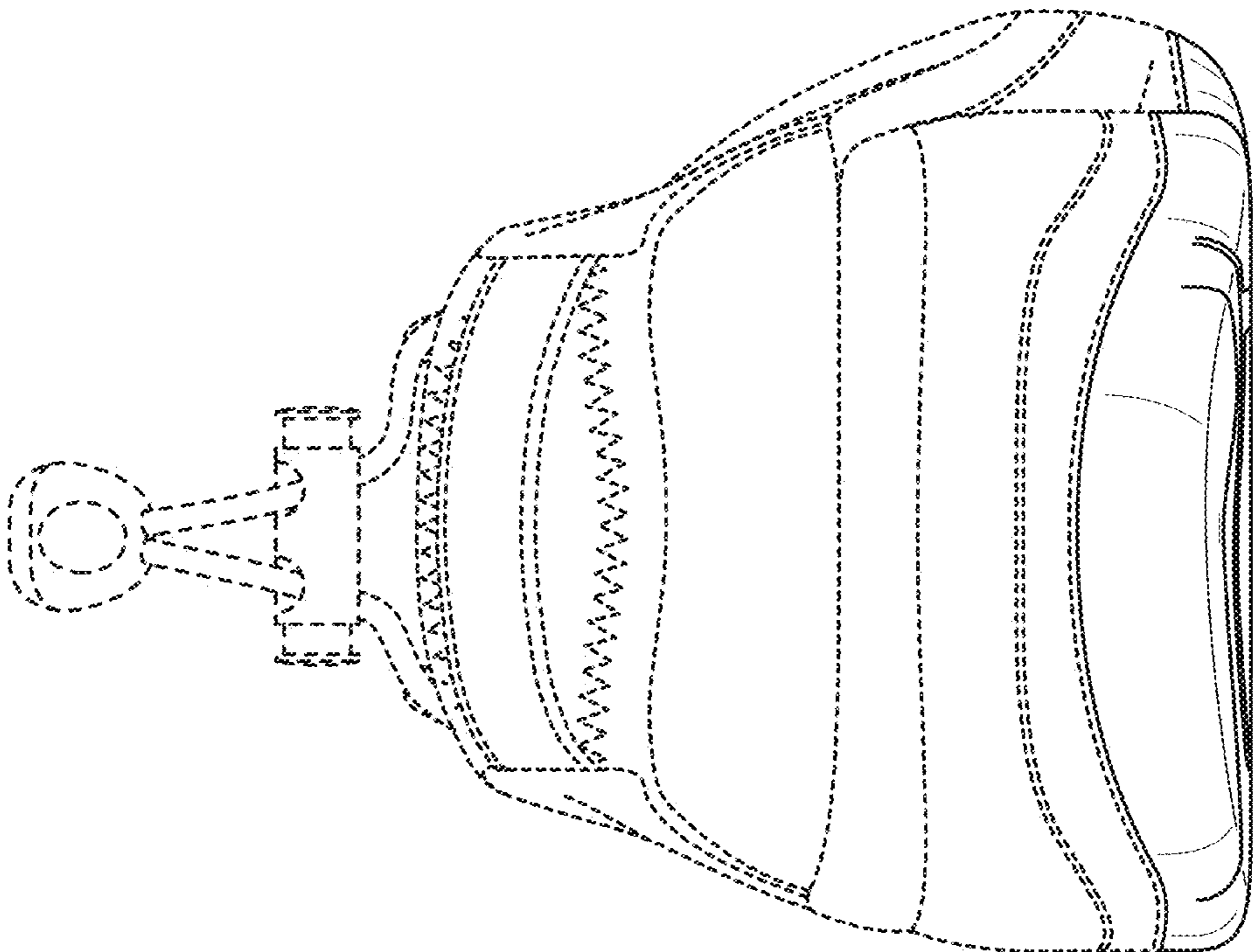


FIG. 4

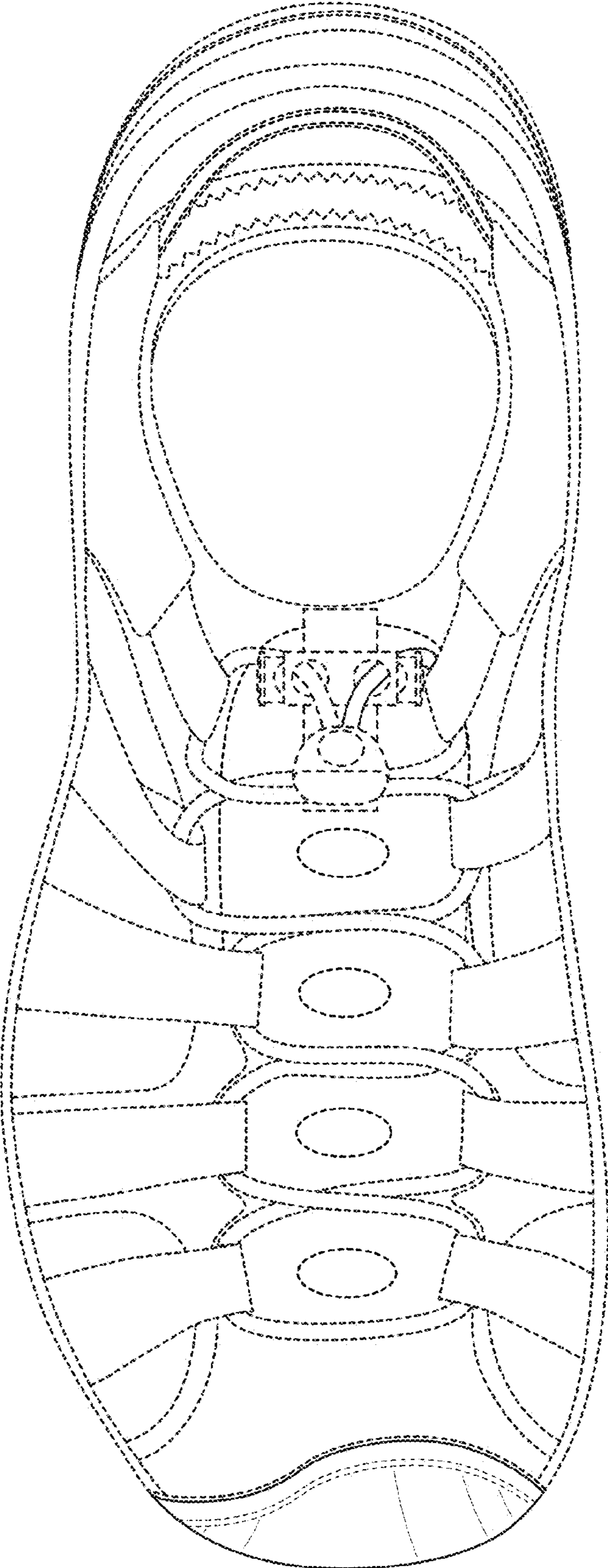


FIG. 5

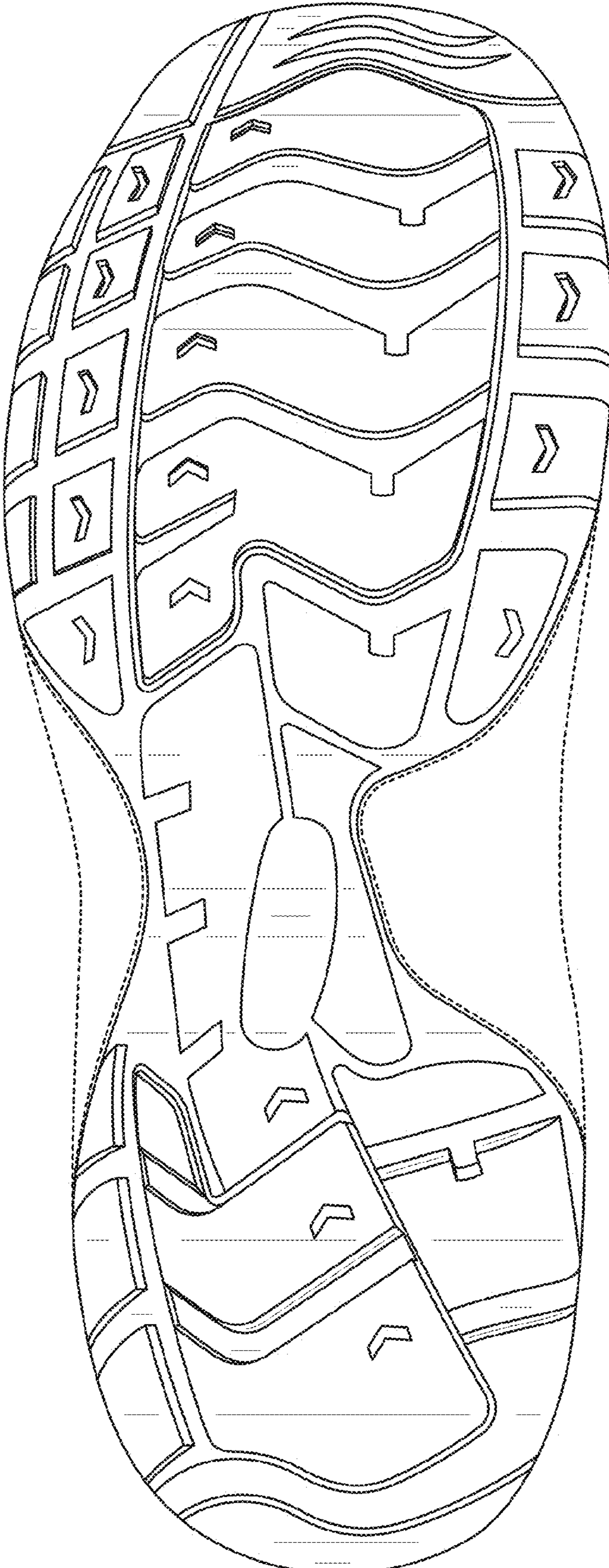


FIG. 6

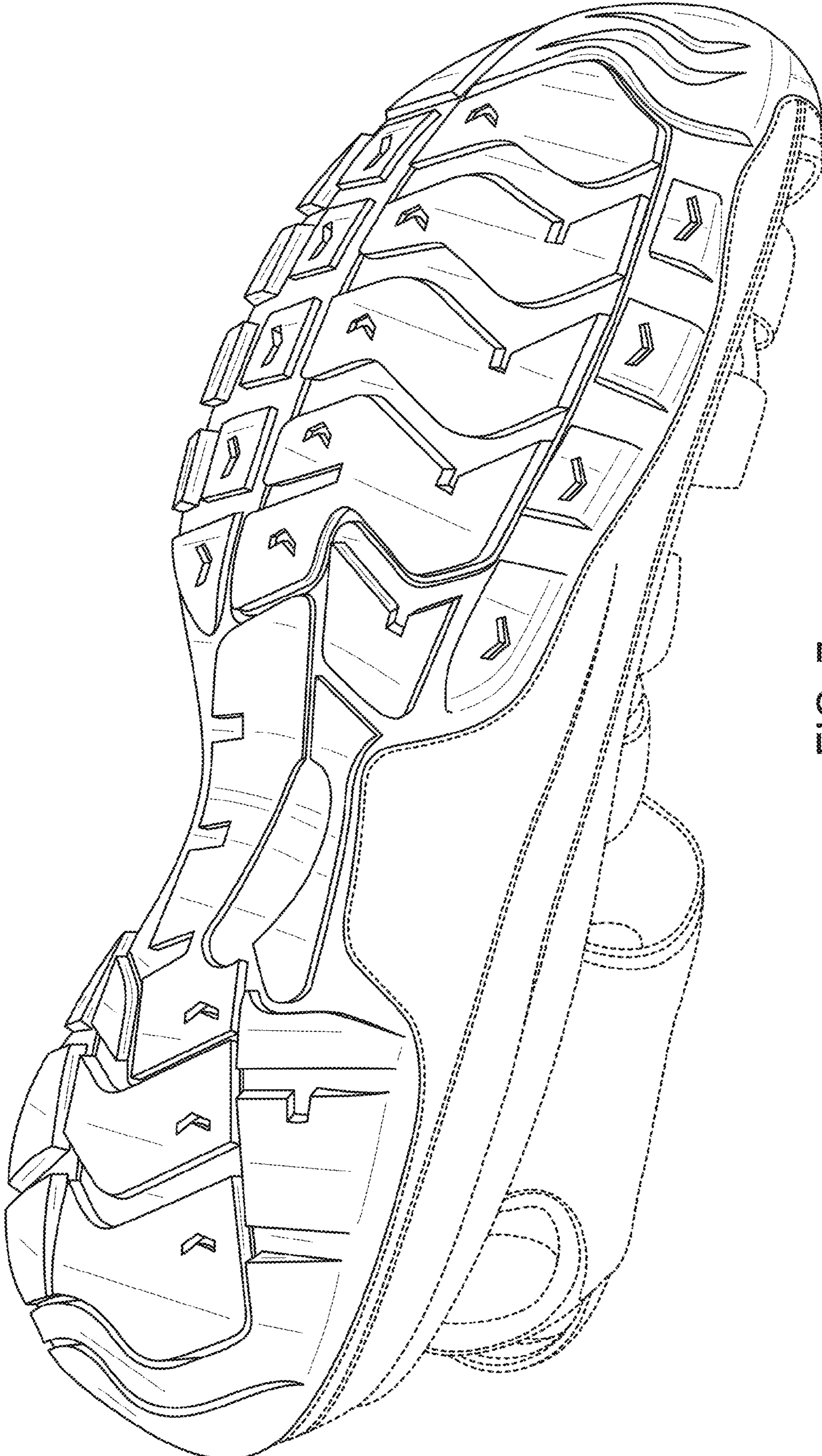


FIG. 7