



US00D923300S

(12) **United States Design Patent**
Brunner

(10) **Patent No.:** **US D923,300 S**

(45) **Date of Patent:** **** Jun. 29, 2021**

- (54) **SOLE**
- (71) Applicant: **On Clouds GmbH**, Heiden (CH)
- (72) Inventor: **Thilo Alex Brunner**, Zurich (CH)
- (73) Assignee: **ON CLOUDS GMBH**, Zürich (CH)
- (**) Term: **15 Years**
- (21) Appl. No.: **35/508,392**
- (22) Filed: **Mar. 20, 2019**
- (80) **Hague Agreement Data**

Int. Filing Date: **Mar. 20, 2019**
 Int. Reg. No.: **DM/205254**
 Int. Reg. Date: **Mar. 20, 2019**
 Int. Reg. Pub. Date: **Jan. 24, 2020**

- (51) **LOC (13) Cl.** **02-04**
- (52) **U.S. Cl.**
USPC **D2/947**
- (58) **Field of Classification Search**
USPC D2/902, 906, 908, 916, 918, 925,
D2/946-962, 977
CPC A43B 23/24; A43B 3/0078; A43B 3/12;
A43B 3/122; A43B 3/126; A43B 1/00;
A43B 13/00
See application file for complete search history.

(56) **References Cited**
U.S. PATENT DOCUMENTS

- D572,440 S * 7/2008 Polegato Moretti D2/907
- D681,315 S * 5/2013 Della Valle D2/908
- D746,029 S * 12/2015 Hardy D2/944

- D779,182 S * 2/2017 Hobson D2/960
- D779,791 S * 2/2017 Mason D2/902
- D852,480 S * 7/2019 Kaiserswerth D2/954
- D855,295 S * 8/2019 Della Valle D2/908
- D855,949 S * 8/2019 Sassi D2/902
- D858,064 S * 9/2019 O'Shea D2/956
- D862,047 S * 10/2019 Patillon D2/908
- D866,129 S * 11/2019 Vaccarello D2/902
- D866,130 S * 11/2019 O'Boyle D2/906
- D871,038 S * 12/2019 Roulo D2/960
- D872,443 S * 1/2020 Roulo D2/960
- D876,758 S * 3/2020 Brinkhof D2/916
- D878,718 S * 3/2020 Post D2/916
- D887,681 S * 6/2020 Shorten D2/902
- D891,051 S * 7/2020 Smith D2/947
- D897,645 S * 10/2020 Vestuti D2/947
- D903,254 S * 12/2020 Simone D2/947

* cited by examiner

Primary Examiner — Michael A. Pratt
 (74) *Attorney, Agent, or Firm* — Pauley Erickson & Swanson

(57) **CLAIM**

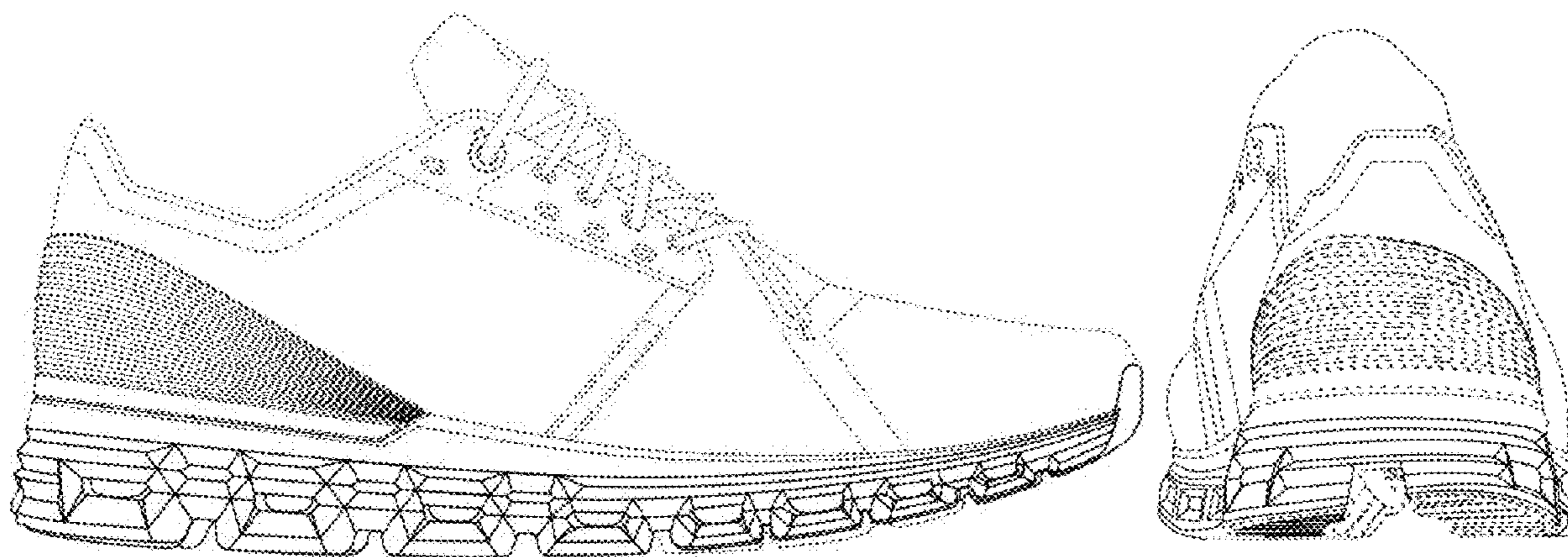
The ornamental design for sole, as shown and described.

DESCRIPTION

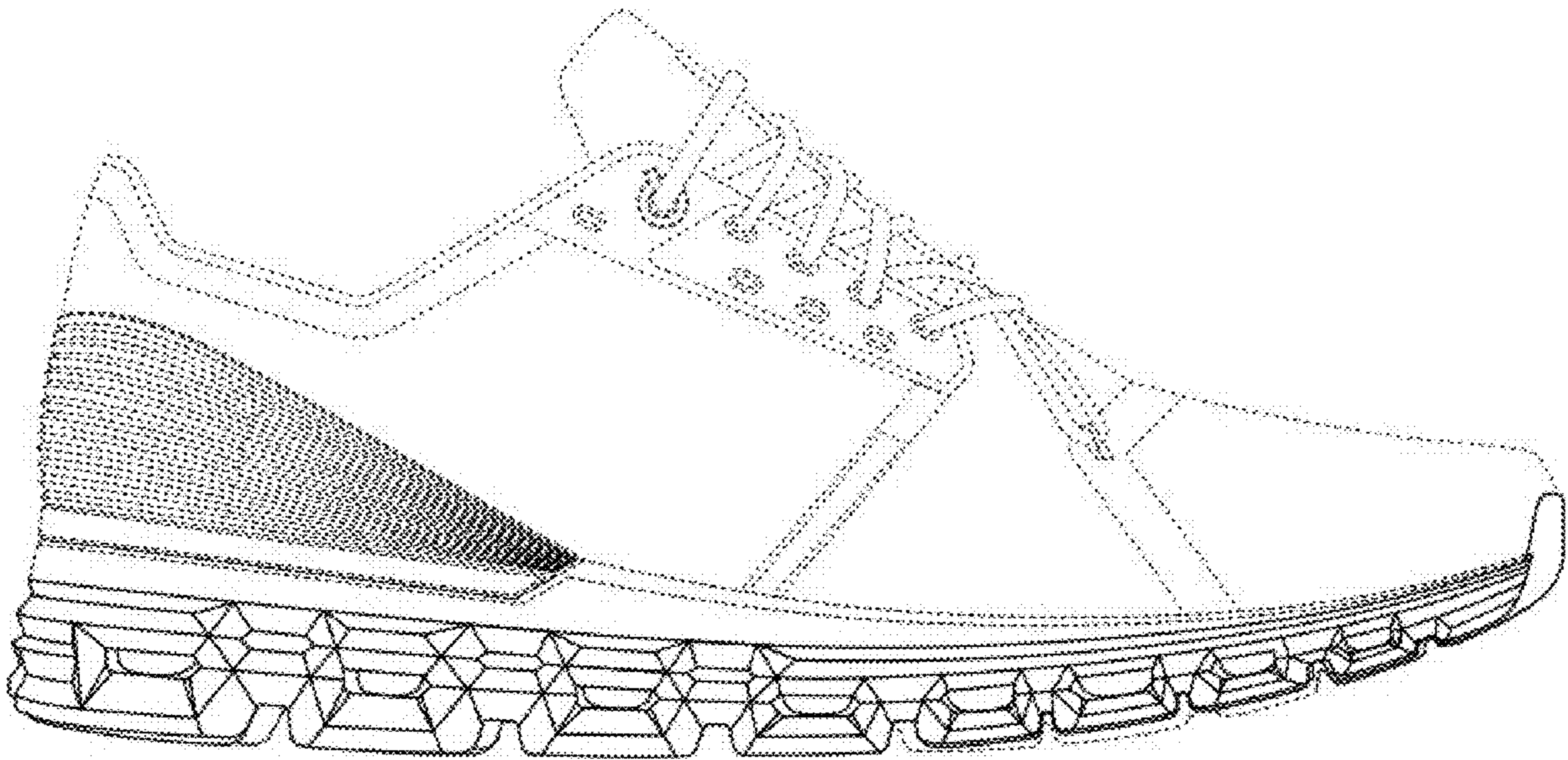
- 1. Sole
- 1.1** : Right
- 1.2** : Left
- 1.3** : Top
- 1.4** : Bottom
- 1.5** : Front
- 1.6** : Back

The broken line showing of a shoe upper and tread is included for the purpose of illustrating environment and forms no part of the claimed design.

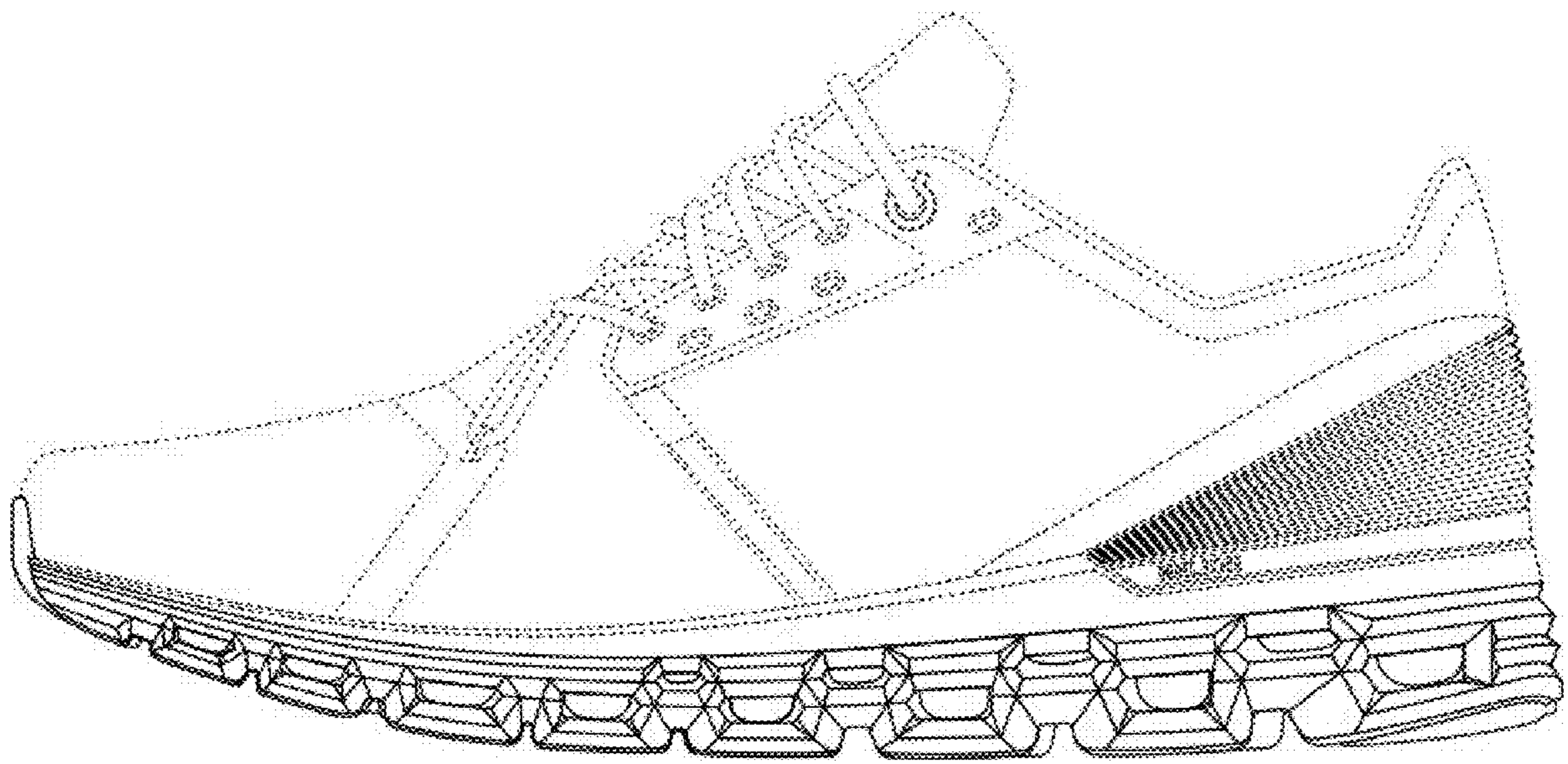
1 Claim, 6 Drawing Sheets



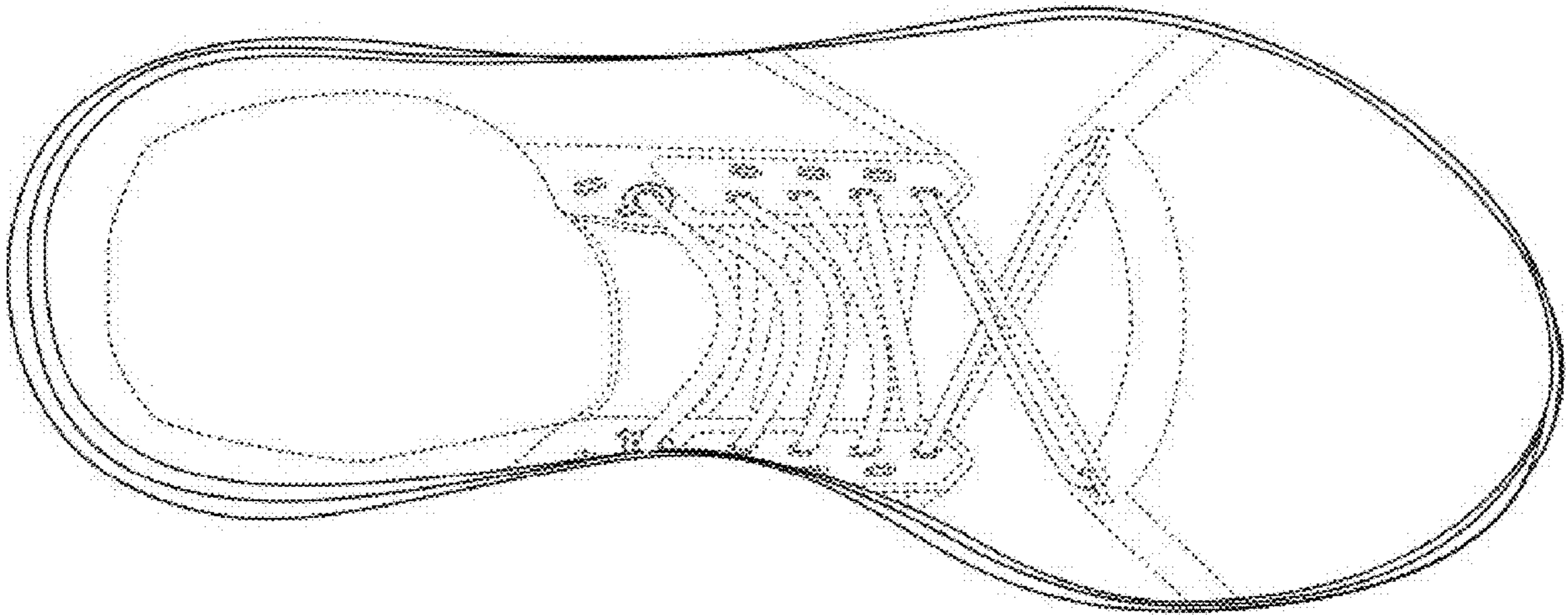
1.1



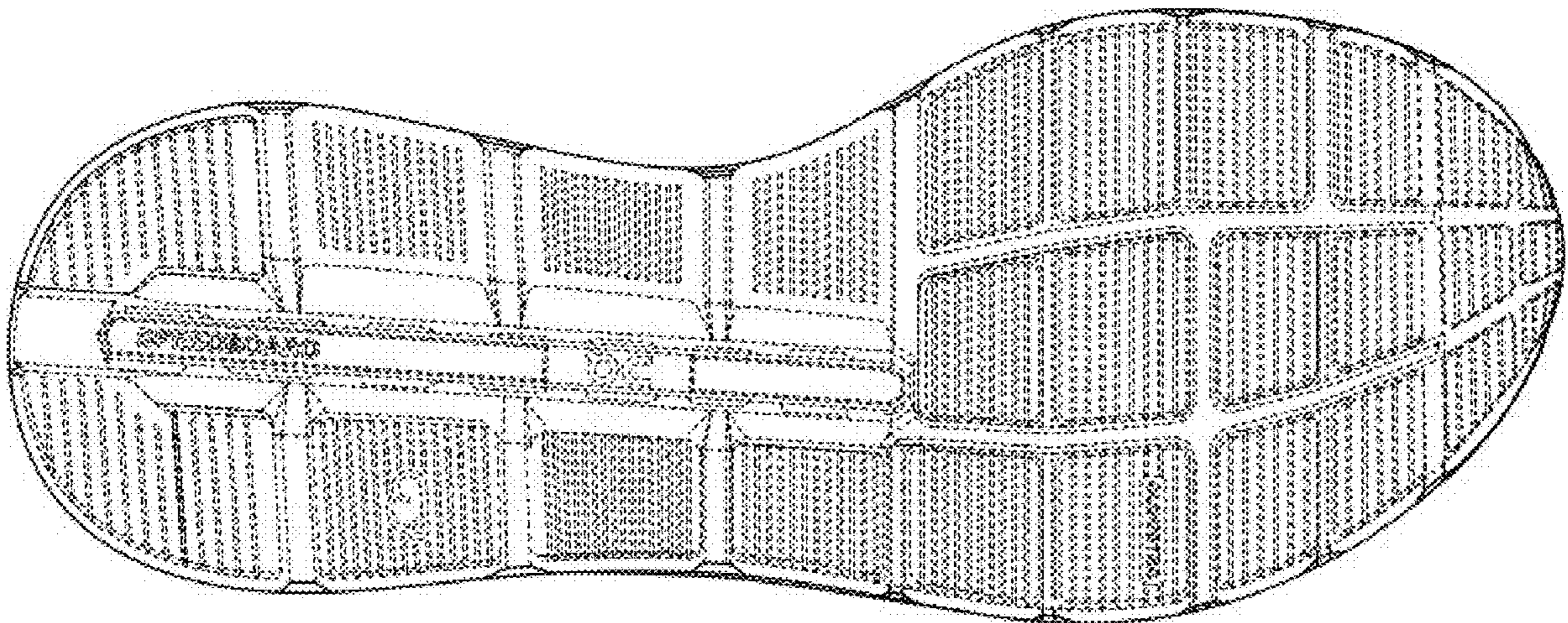
1.2



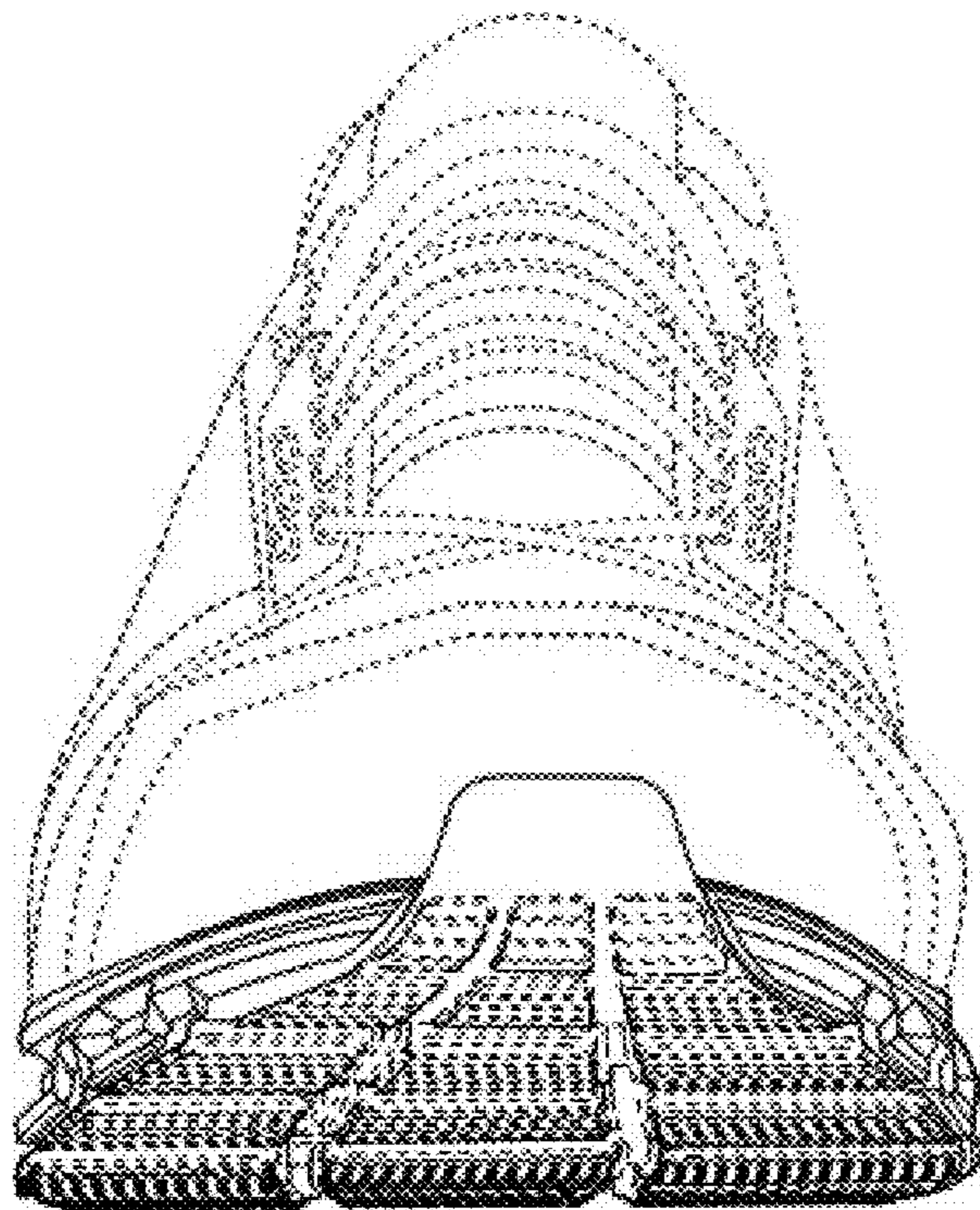
1.3



1.4



1.5



1.6

