



US00D923283S

(12) **United States Design Patent** (10) **Patent No.:** **US D923,283 S**
Yoshioka et al. (45) **Date of Patent:** **** Jun. 22, 2021**

(54) **STEERING COLUMN COVER FOR FORKLIFT TRUCK**

(71) Applicant: **Mitsubishi Logisnext Co., Ltd.**, Kyoto (JP)

(72) Inventors: **Masahiro Yoshioka**, Kyoto (JP); **Hiroaki Kumazawa**, Kyoto (JP)

(73) Assignee: **MITSUBISHI LOGISNEXT CO., LTD.**, Kyoto (JP)

(**) Term: **15 Years**

(21) Appl. No.: **29/691,585**

(22) Filed: **May 17, 2019**

(30) **Foreign Application Priority Data**

Nov. 30, 2018 (JP) 2018-026048

(51) **LOC (13) Cl.** **12-05**

(52) **U.S. Cl.**
USPC **D34/35**

(58) **Field of Classification Search**
USPC D34/34, 35; D12/174; D13/168; D15/28; D21/333, 566
CPC .. B66F 17/003; B66F 9/12; B66F 9/24; B66F 9/0755; B66F 9/07572; H01H 9/0214; H01H 9/0235; H01H 9/04; H01H 9/06
See application file for complete search history.

(56) **References Cited**

U.S. PATENT DOCUMENTS

D235,987 S * 7/1975 Mono D34/35
D526,460 S * 8/2006 Goto D34/34
D538,004 S * 3/2007 Kouyama D34/34
D600,425 S * 9/2009 Smiley D34/35
D612,563 S * 3/2010 Stark D34/34
D663,502 S * 7/2012 Lin D34/34
D713,803 S * 9/2014 Bouyer D13/168

D754,940 S * 4/2016 Wen D34/34
D759,731 S * 6/2016 Roemer D15/28
D763,538 S * 8/2016 Sumigama D34/34
D842,737 S * 3/2019 Haag D10/98
D867,309 S * 11/2019 Detering D13/168
D900,758 S * 11/2020 Cen D13/168
2019/0359186 A1 * 11/2019 Yoshioka B60T 7/08

OTHER PUBLICATIONS

Google search Jan. 22, 2021, steering column protection cover for hyster forklift truck, <https://www.ebay.co.uk/itm/Steering-Column-Protection-Cover-for-Hyster-Forklift-Truck-Parts-for-Any-Forkli-/324136389752> (Year: 2021).*

* cited by examiner

Primary Examiner — Cynthia Ramirez

(74) *Attorney, Agent, or Firm* — Kirschstein, Israel, Schiffmiller & Pieroni, P.C.

(57) **CLAIM**

The ornamental design for a steering column cover for forklift truck, as shown.

DESCRIPTION

FIG. 1 is an overhead, front, and right side perspective view of a steering column cover for forklift truck according to our new design.

FIG. 2 is an overhead, front, and left side, perspective view thereof.

FIG. 3 is a front, and right side, perspective view from below thereof.

FIG. 4 is a front elevation view thereof.

FIG. 5 is a rear elevation view thereof.

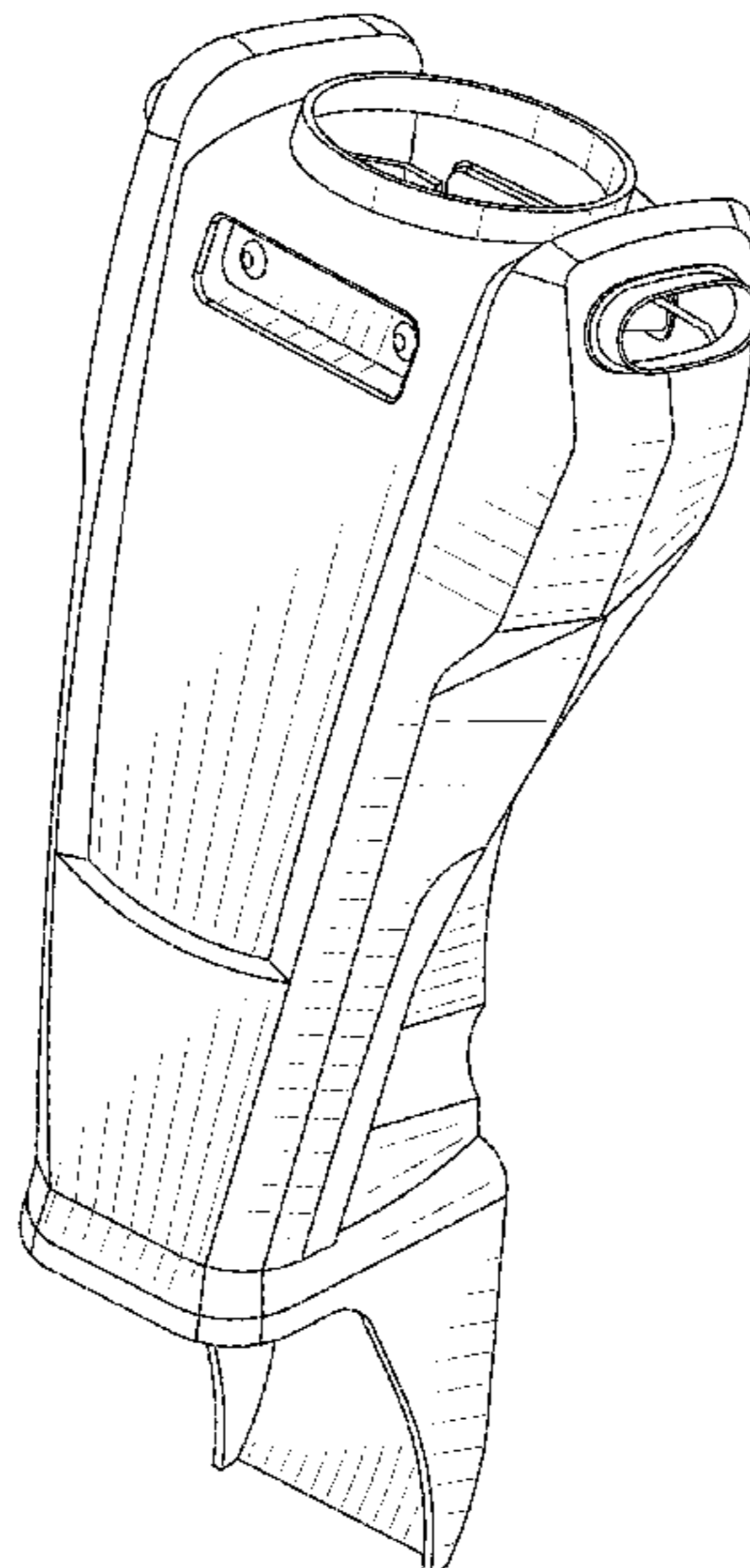
FIG. 6 is a left side elevation view thereof.

FIG. 7 is a right side elevation view thereof.

FIG. 8 is a top plan view thereof; and,

FIG. 9 is a bottom plan view thereof.

1 Claim, 8 Drawing Sheets



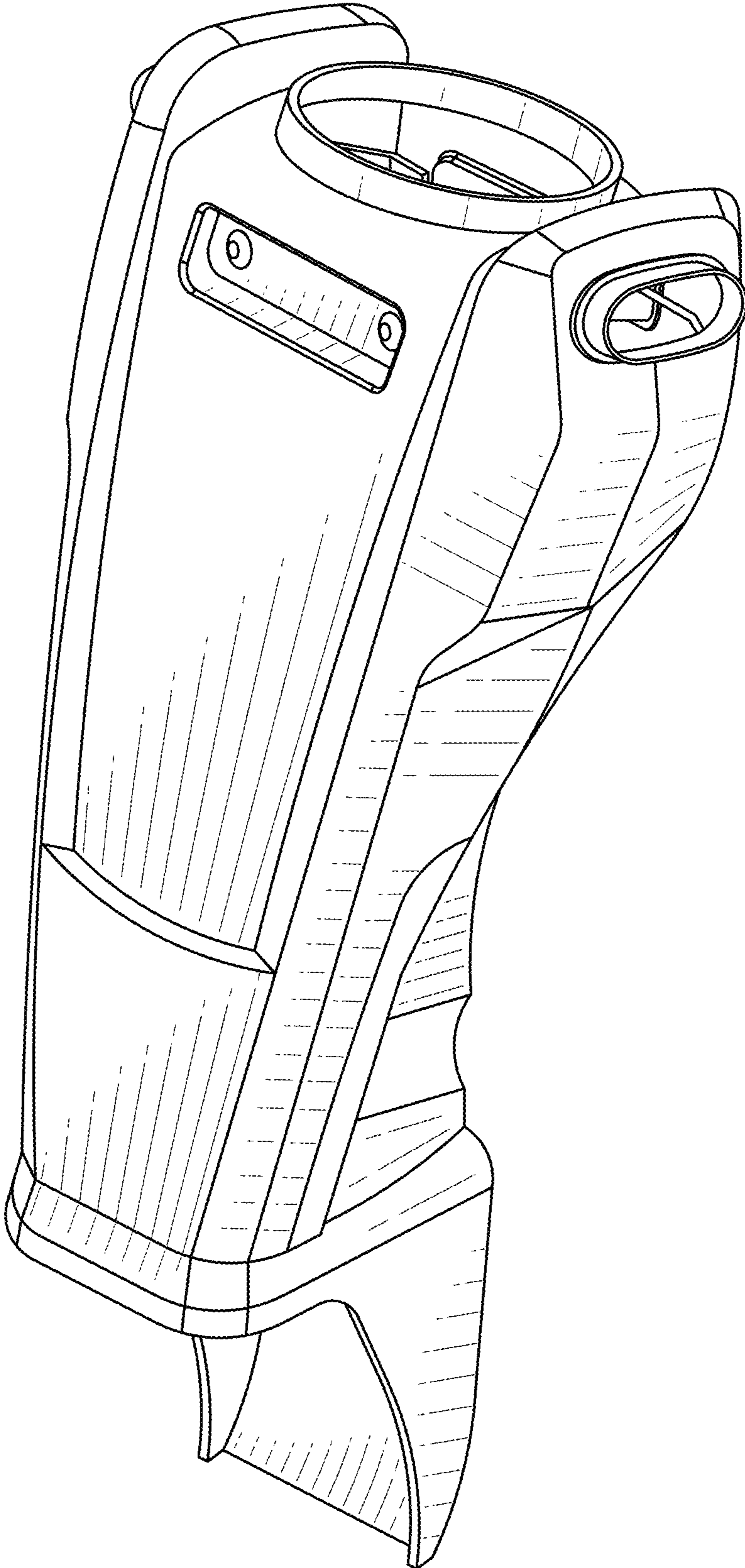


FIG. 1

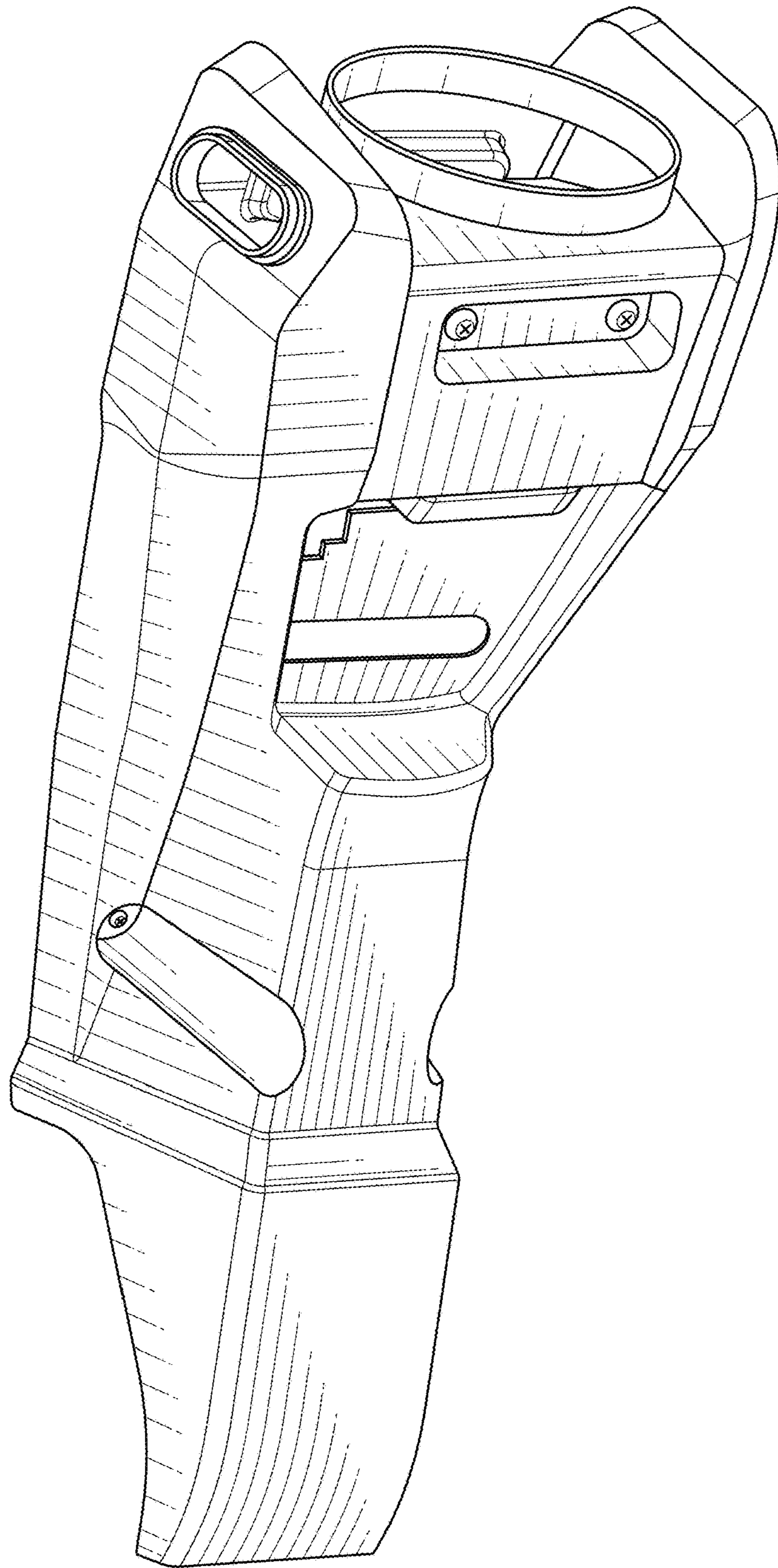


FIG. 2

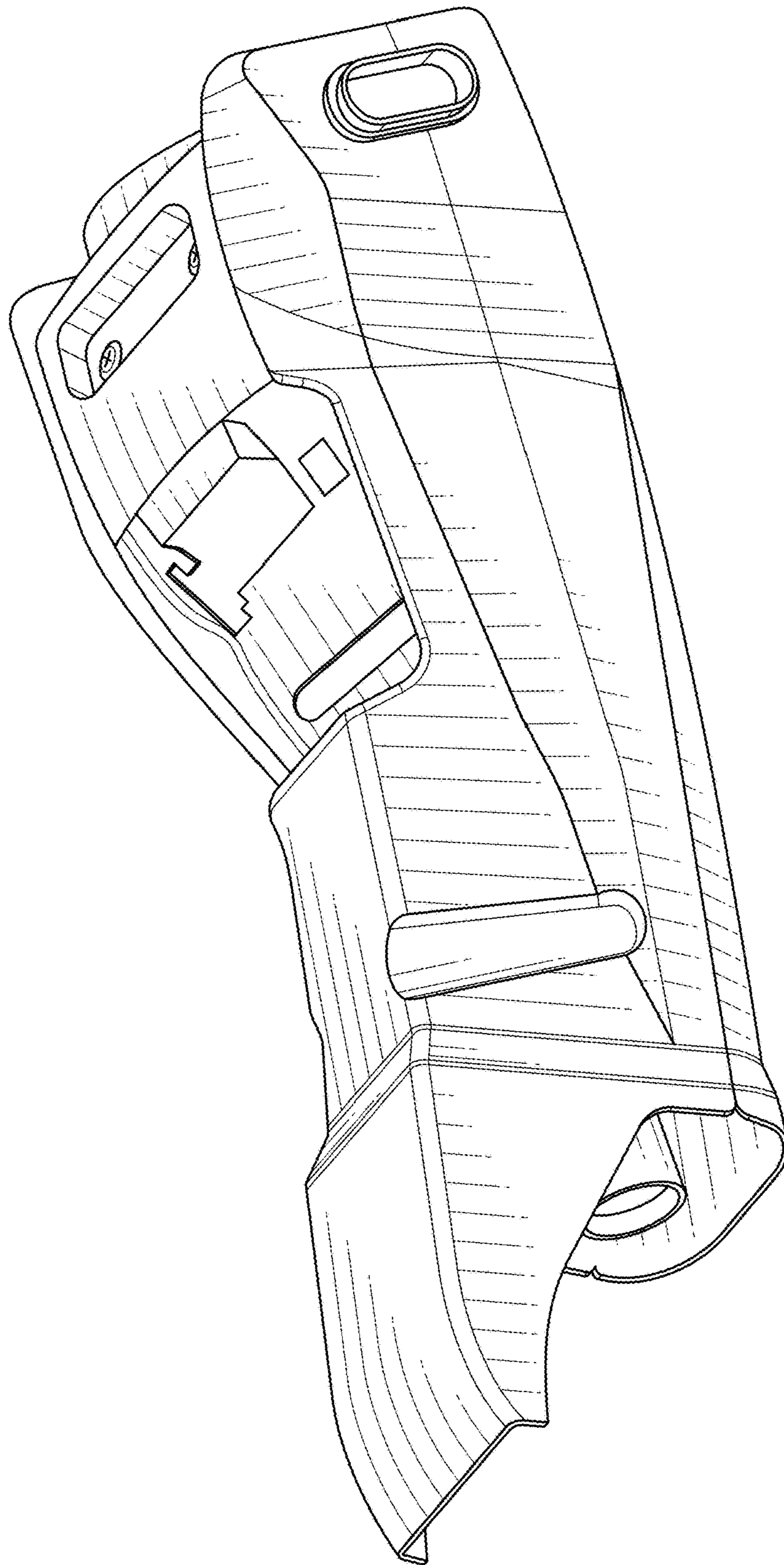


FIG. 3

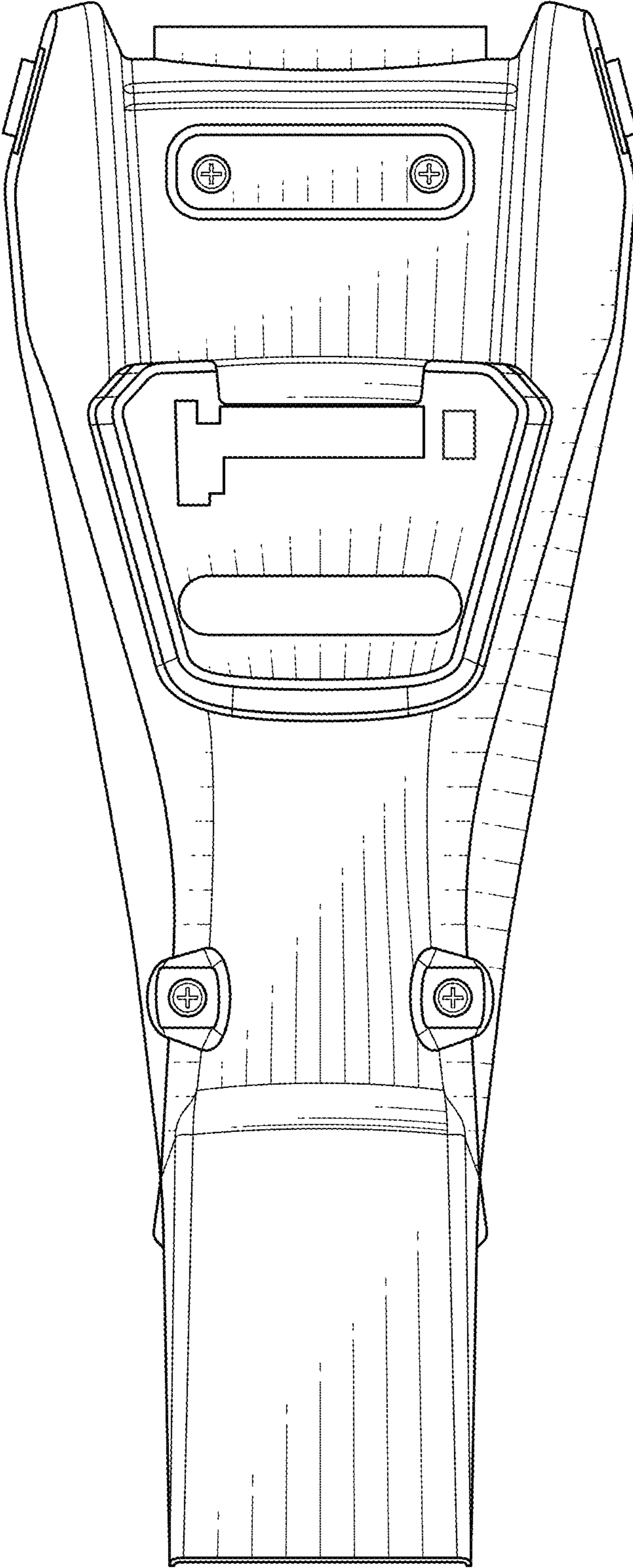


FIG. 4

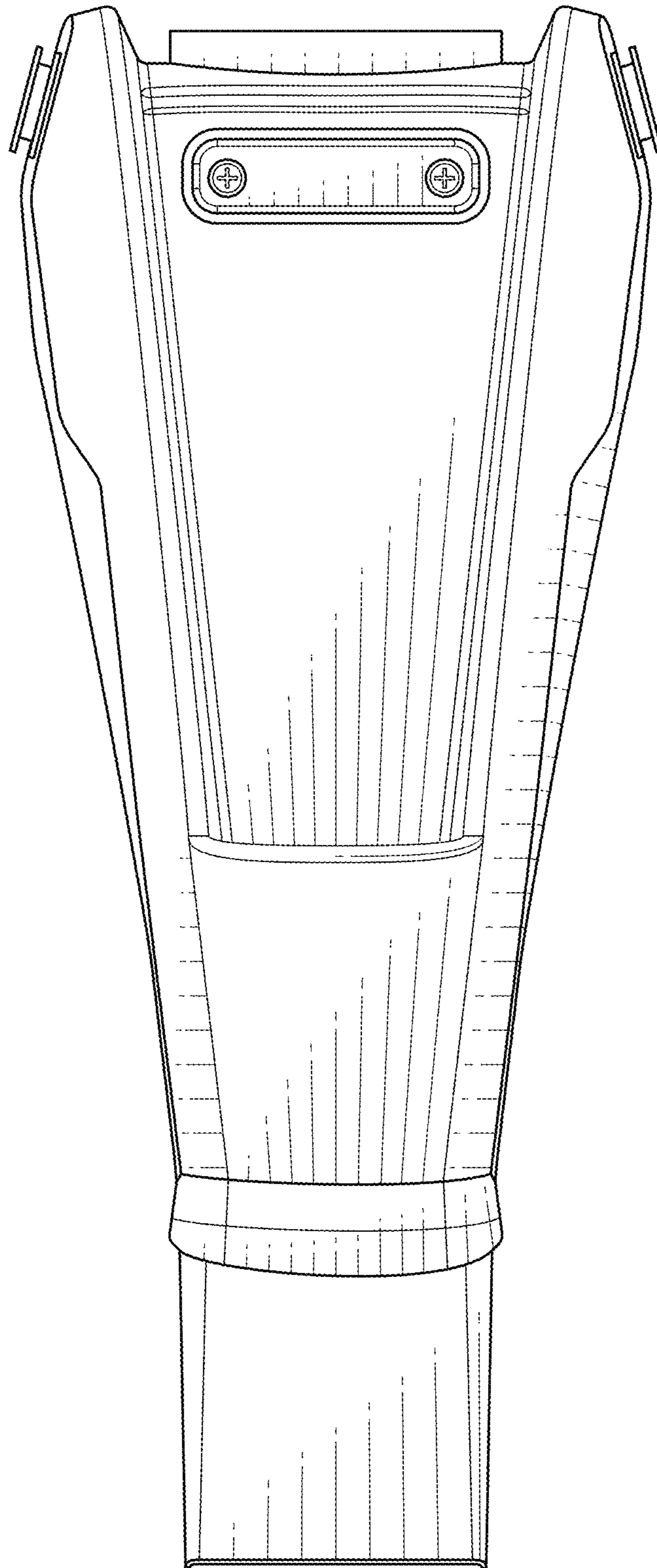


FIG. 5

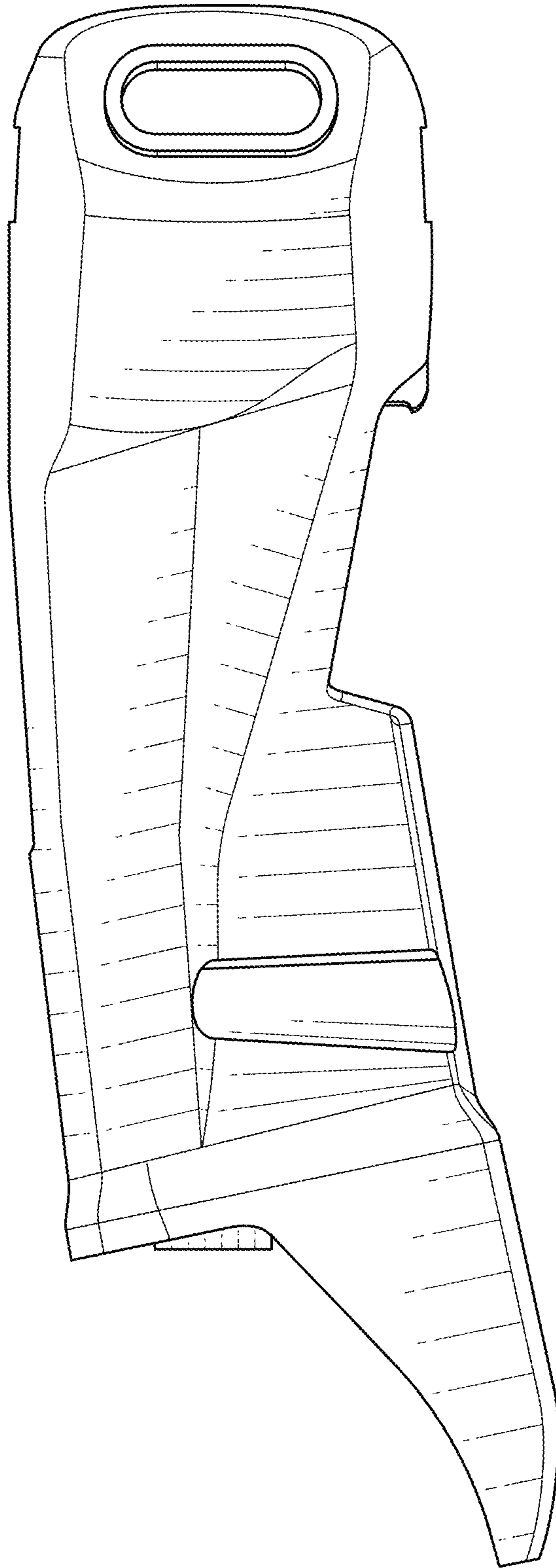


FIG. 6

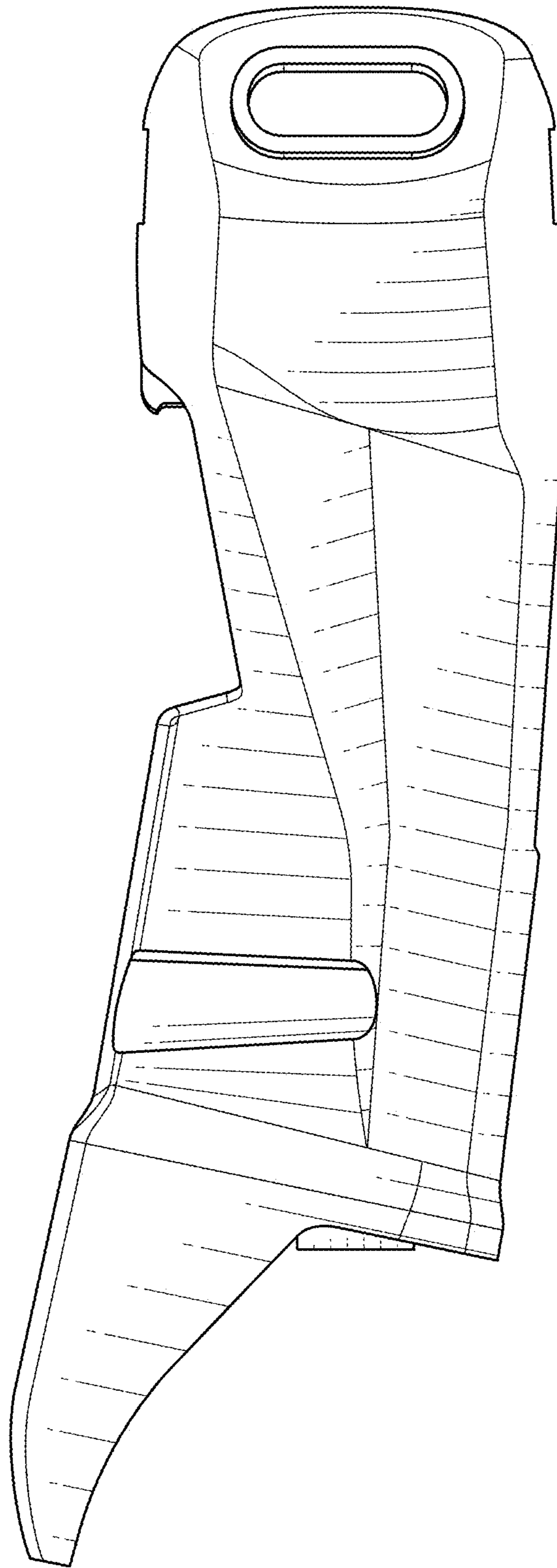


FIG. 7

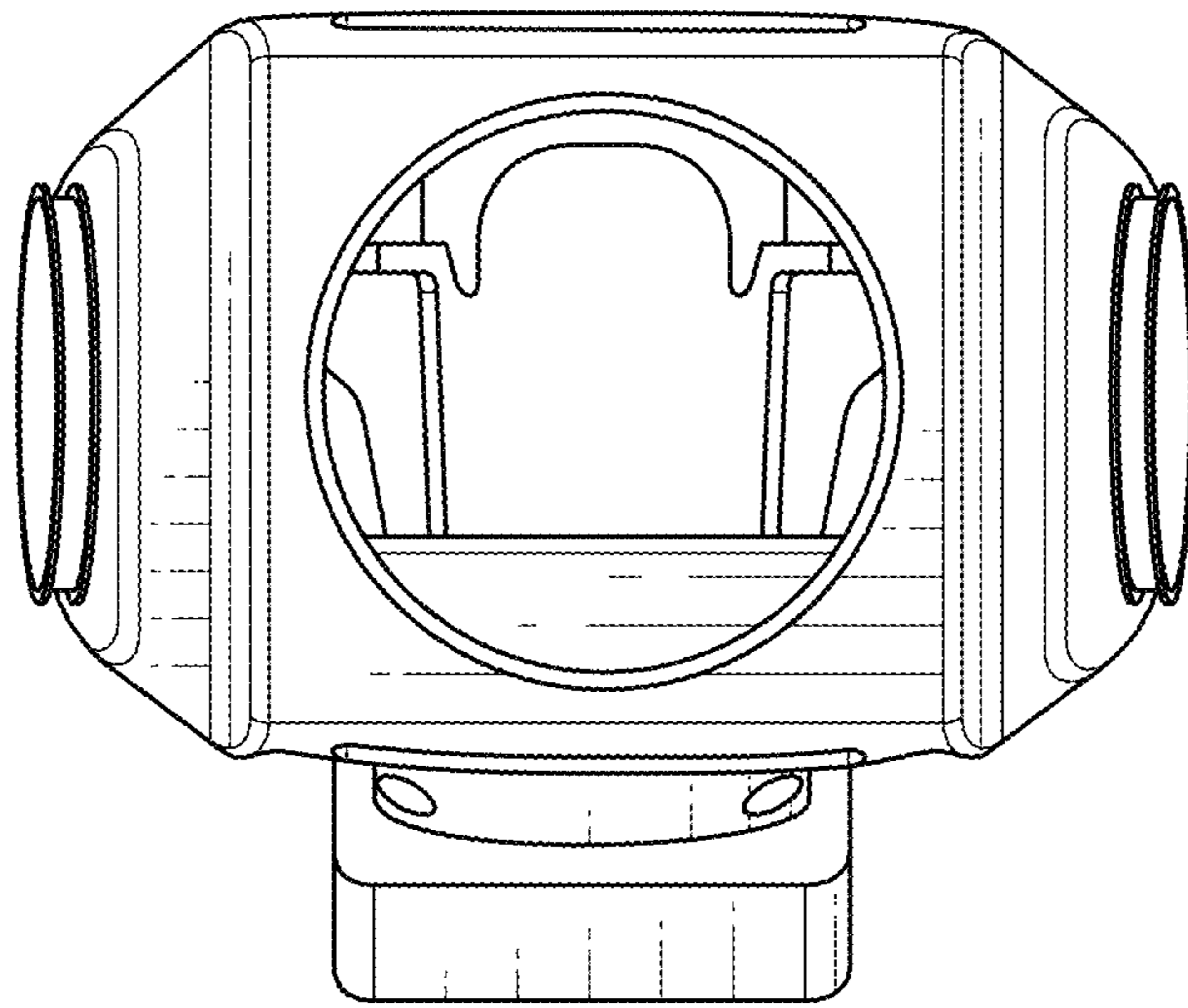


FIG. 8

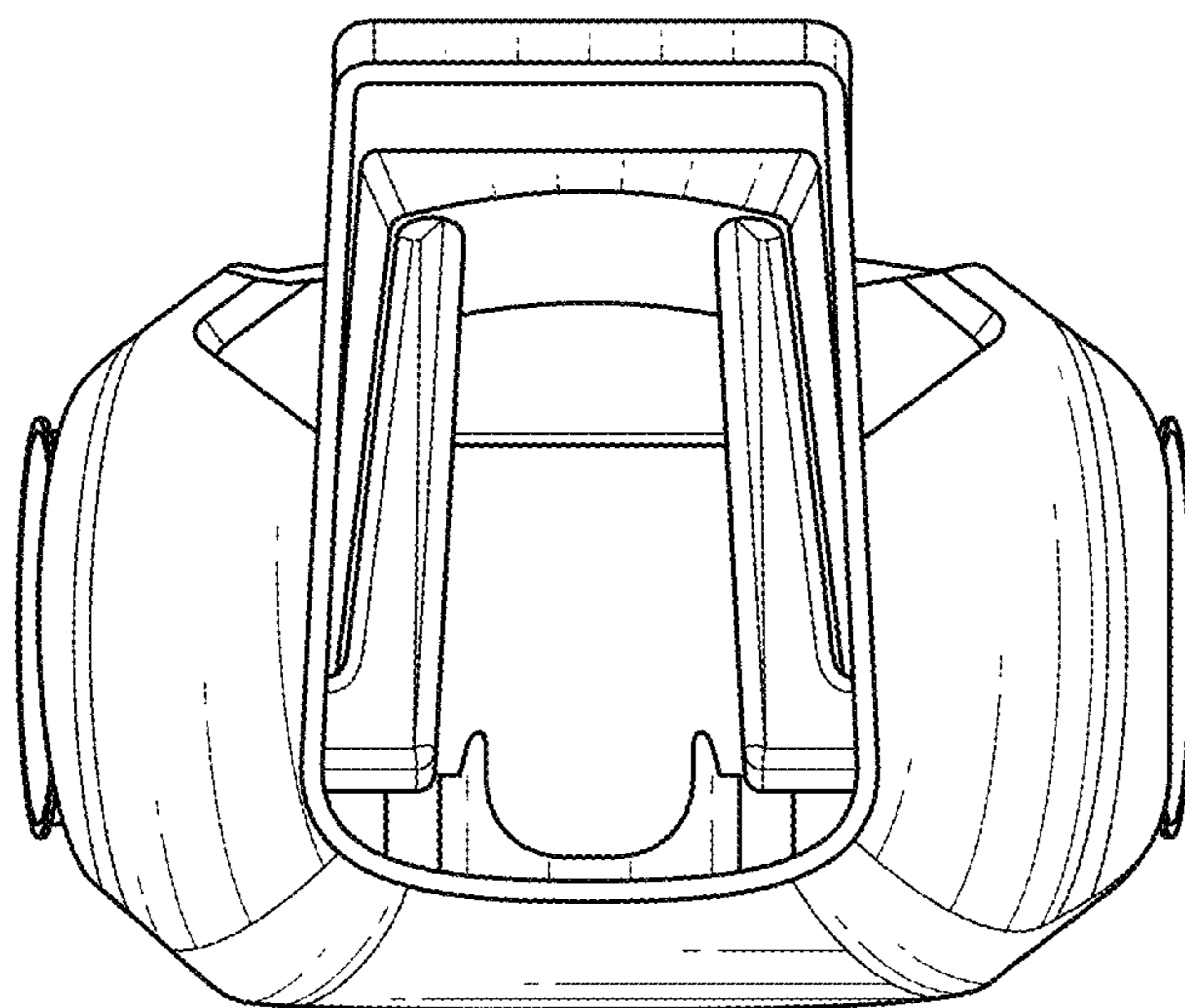


FIG. 9