



US00D923282S

(12) **United States Design Patent**
Yoshioka et al.

(10) **Patent No.:** **US D923,282 S**
(45) **Date of Patent:** **** Jun. 22, 2021**

(54) **FORKLIFT TRUCK**

(71) Applicant: **Mitsubishi Logisnext Co., Ltd.,** Kyoto (JP)

(72) Inventors: **Masahiro Yoshioka,** Kyoto (JP);
Hiroaki Kumazawa, Kyoto (JP)

(73) Assignee: **MITSUBISHI LOGISNEXT CO., LTD.,** Kyoto (JP)

(**) Term: **15 Years**

(21) Appl. No.: **29/691,571**

(22) Filed: **May 17, 2019**

(30) **Foreign Application Priority Data**

Nov. 30, 2018 (JP) 2018-026042

(51) **LOC (13) Cl.** **12-05**

(52) **U.S. Cl.**
USPC **D34/34**

(58) **Field of Classification Search**
USPC D34/34
CPC ... B62B 3/0612; B62B 3/0618; B62B 5/0069;
B62B 5/0438; B66F 9/22; B66F 9/085;
B66F 9/186; B66F 9/06; B66F 9/24;
B66F 9/12; B66F 9/0755; B66F 9/07572
See application file for complete search history.

(56) **References Cited**

U.S. PATENT DOCUMENTS

D557,474 S * 12/2007 Kouyama D34/34
D657,932 S * 4/2012 Kazaoka D34/34

D663,502 S * 7/2012 Lin D34/34
D694,984 S * 12/2013 Kawakami D34/34
D696,830 S * 12/2013 Kazaoka D34/34
D731,737 S * 6/2015 Seimiya D34/34
D754,940 S * 4/2016 Wen D34/34
D756,058 S * 5/2016 Kang D34/34
D756,059 S * 5/2016 Kang D34/34
D771,345 S * 11/2016 Wen D34/34
D778,524 S * 2/2017 Kang D34/34
D782,770 S * 3/2017 Kang D34/34
D790,148 S * 6/2017 Kang D34/34

* cited by examiner

Primary Examiner — Cynthia Ramirez
(74) *Attorney, Agent, or Firm* — Kirschstein, Israel, Schiffmiller & Pieroni, P.C.

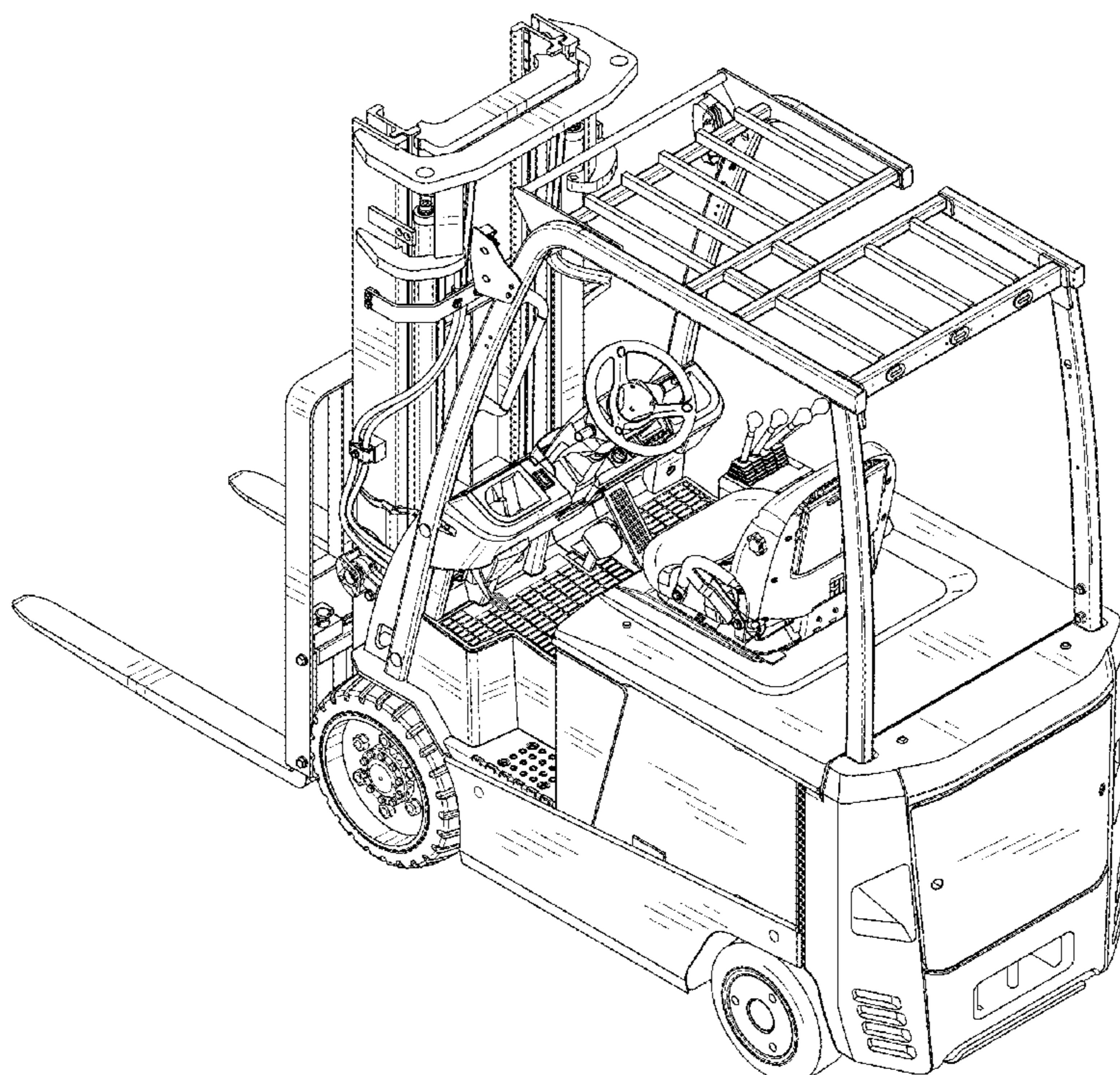
(57) **CLAIM**

The ornamental design for a forklift truck, as shown.

DESCRIPTION

FIG. 1 is an overhead, front, and right side, perspective view of a forklift truck according to our new design.
FIG. 2 is an overhead, rear, and right side, perspective view thereof.
FIG. 3 is a front elevation view thereof.
FIG. 4 is a rear elevation view thereof.
FIG. 5 is a right side elevation view thereof.
FIG. 6 is a left side elevation view thereof.
FIG. 7 is a top plan view thereof; and,
FIG. 8 is a bottom plan view thereof.
The broken lines in the figures show portions of the forklift truck, which form no part of the claimed design.

1 Claim, 6 Drawing Sheets



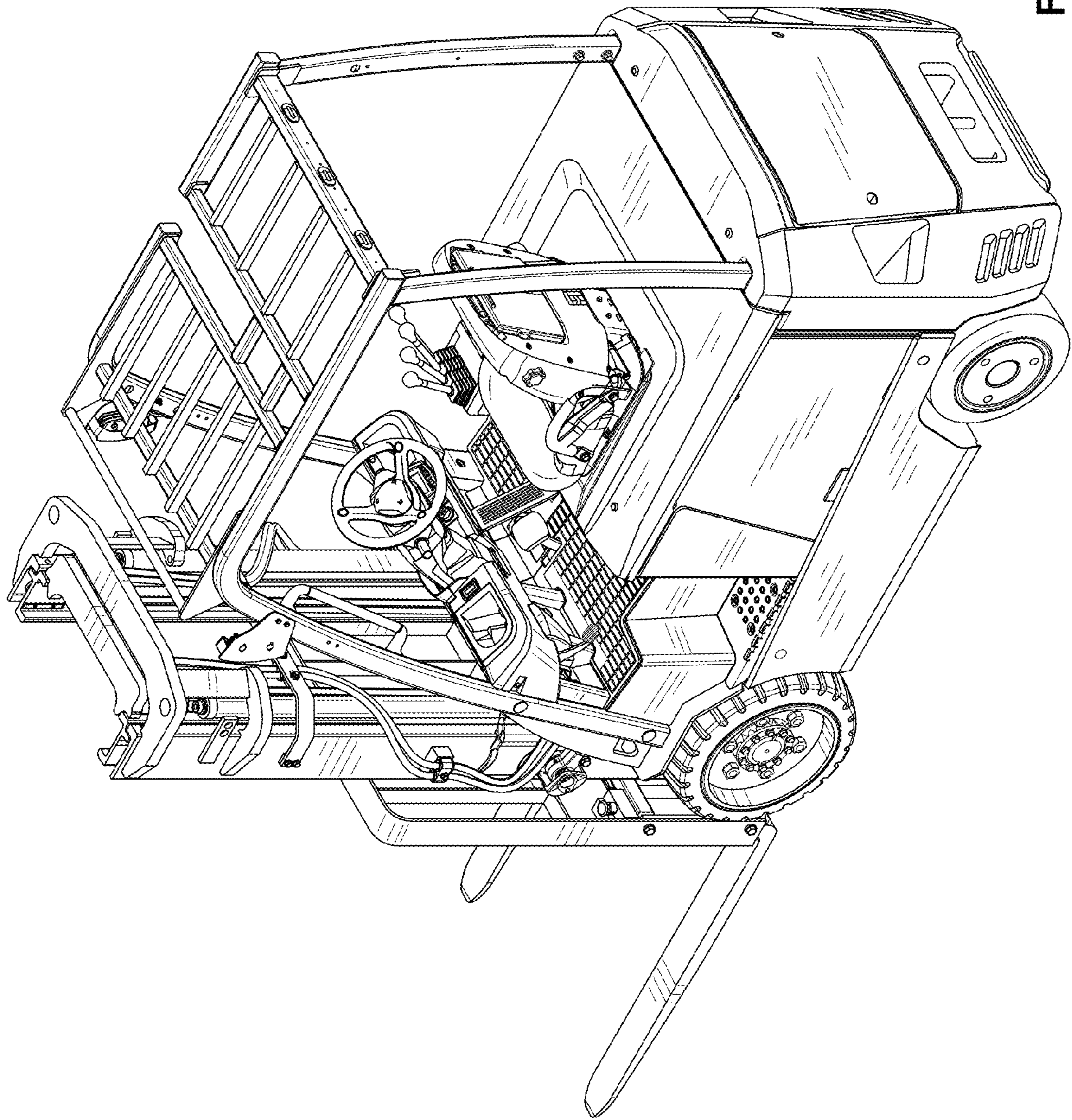


FIG. 1

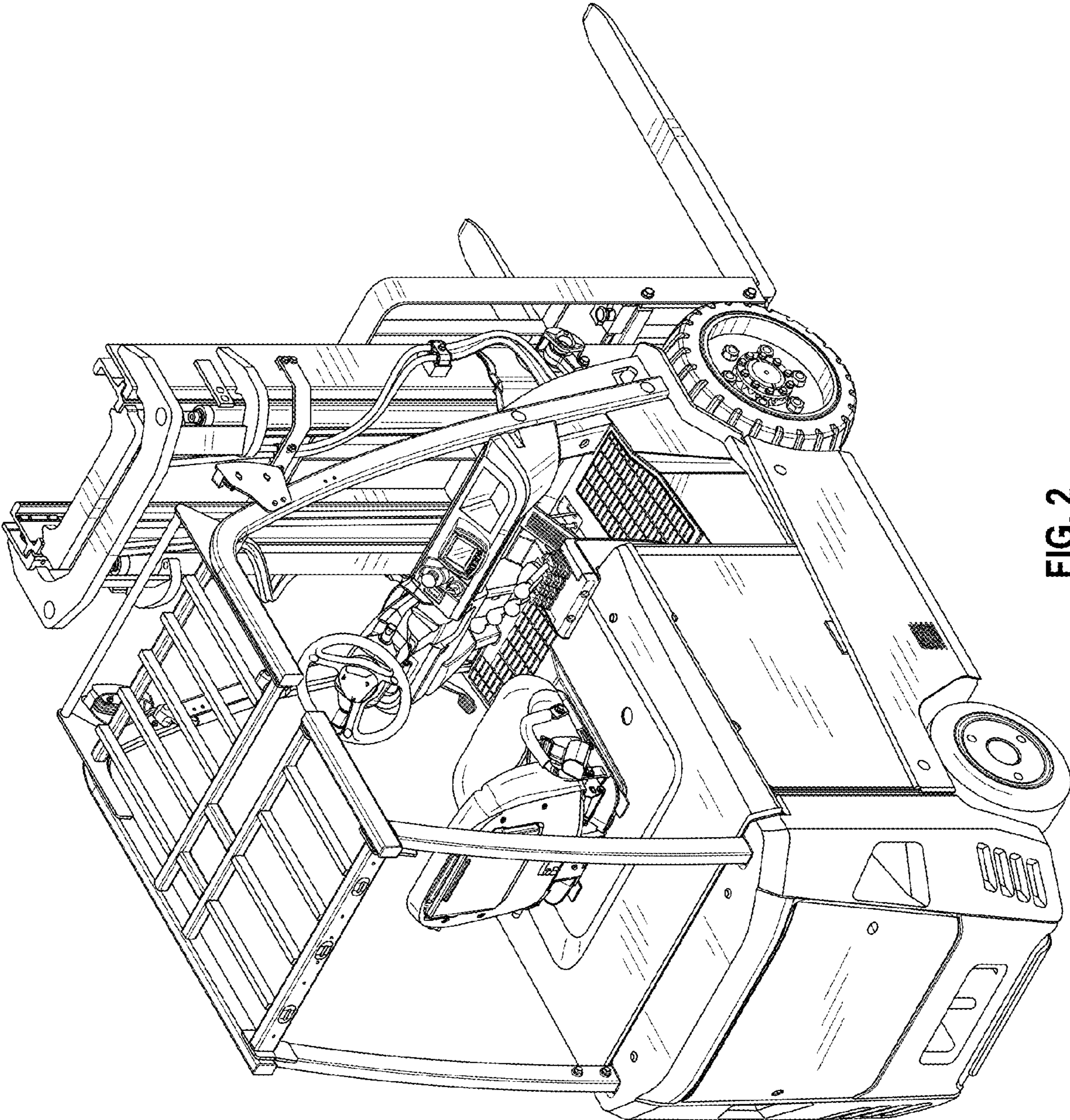


FIG. 2

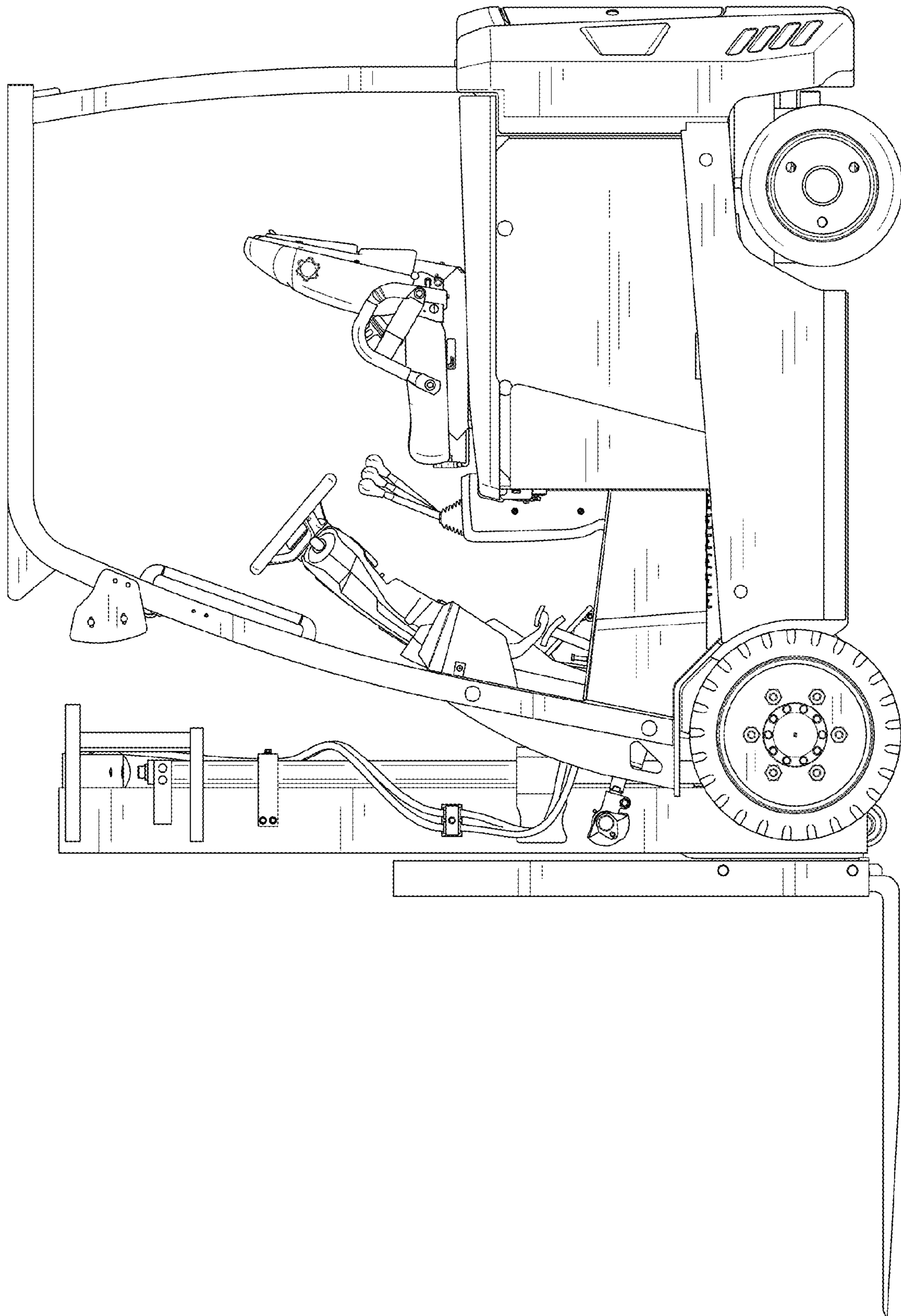


FIG. 3

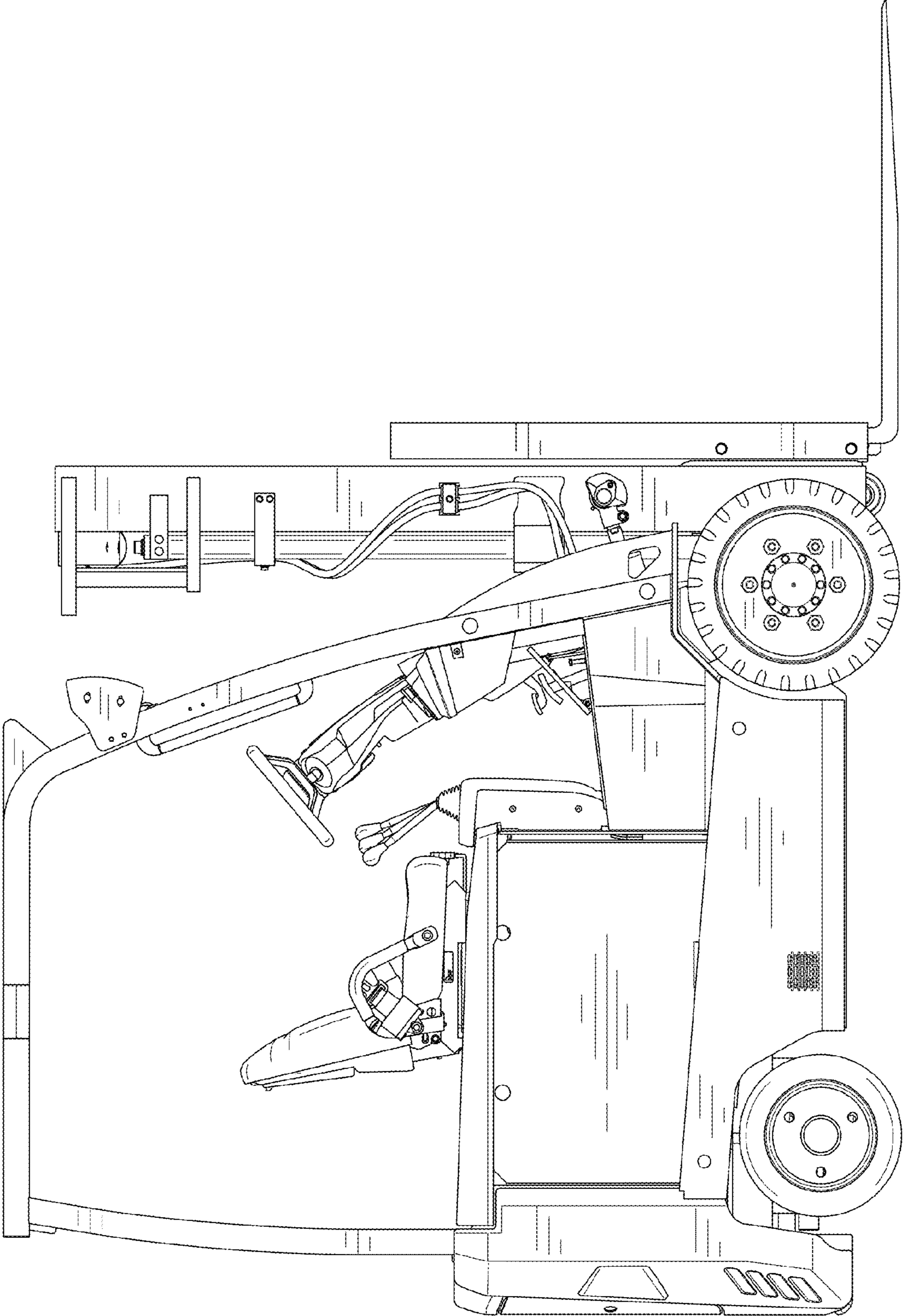


FIG. 4

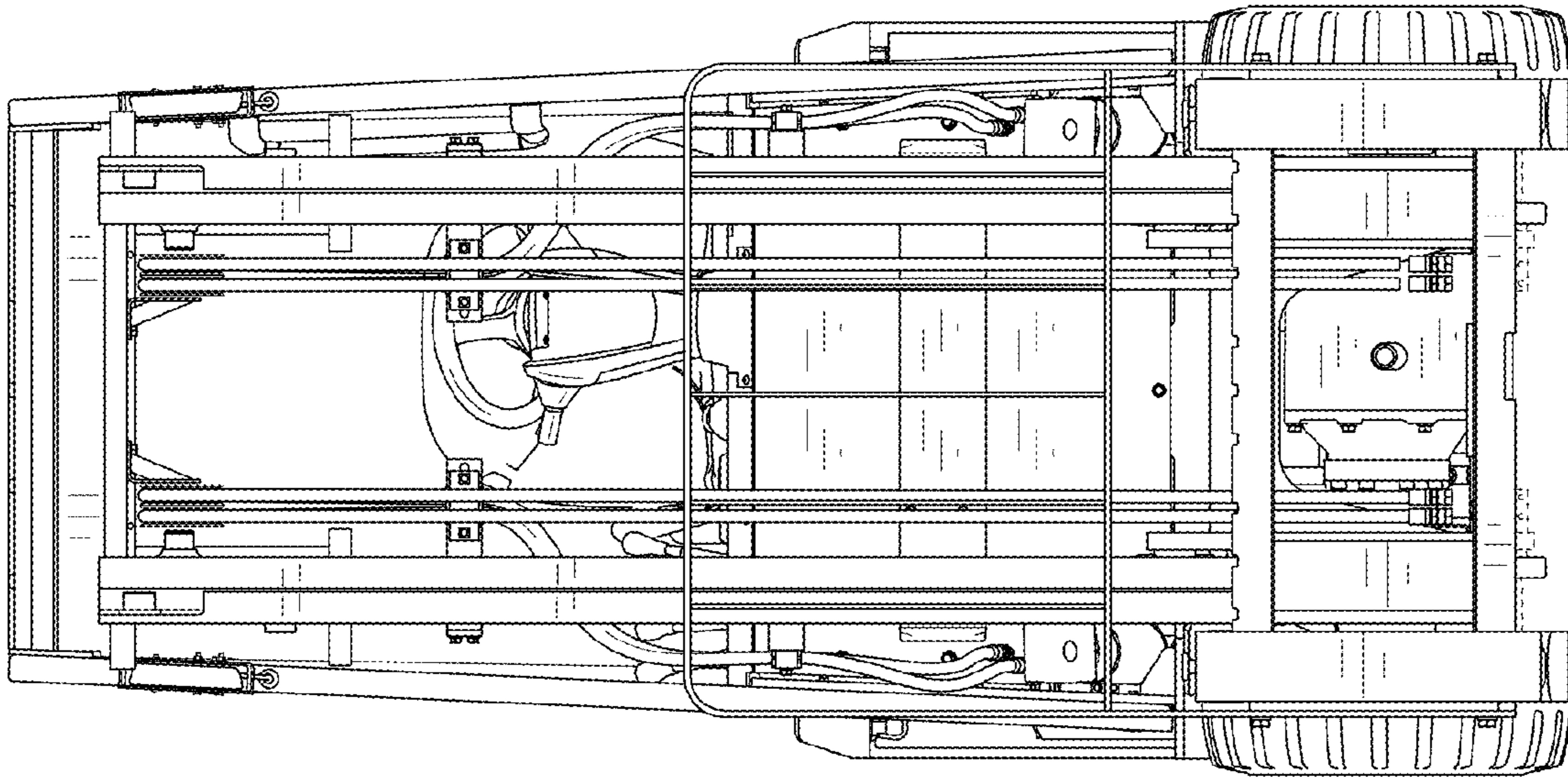


FIG. 6

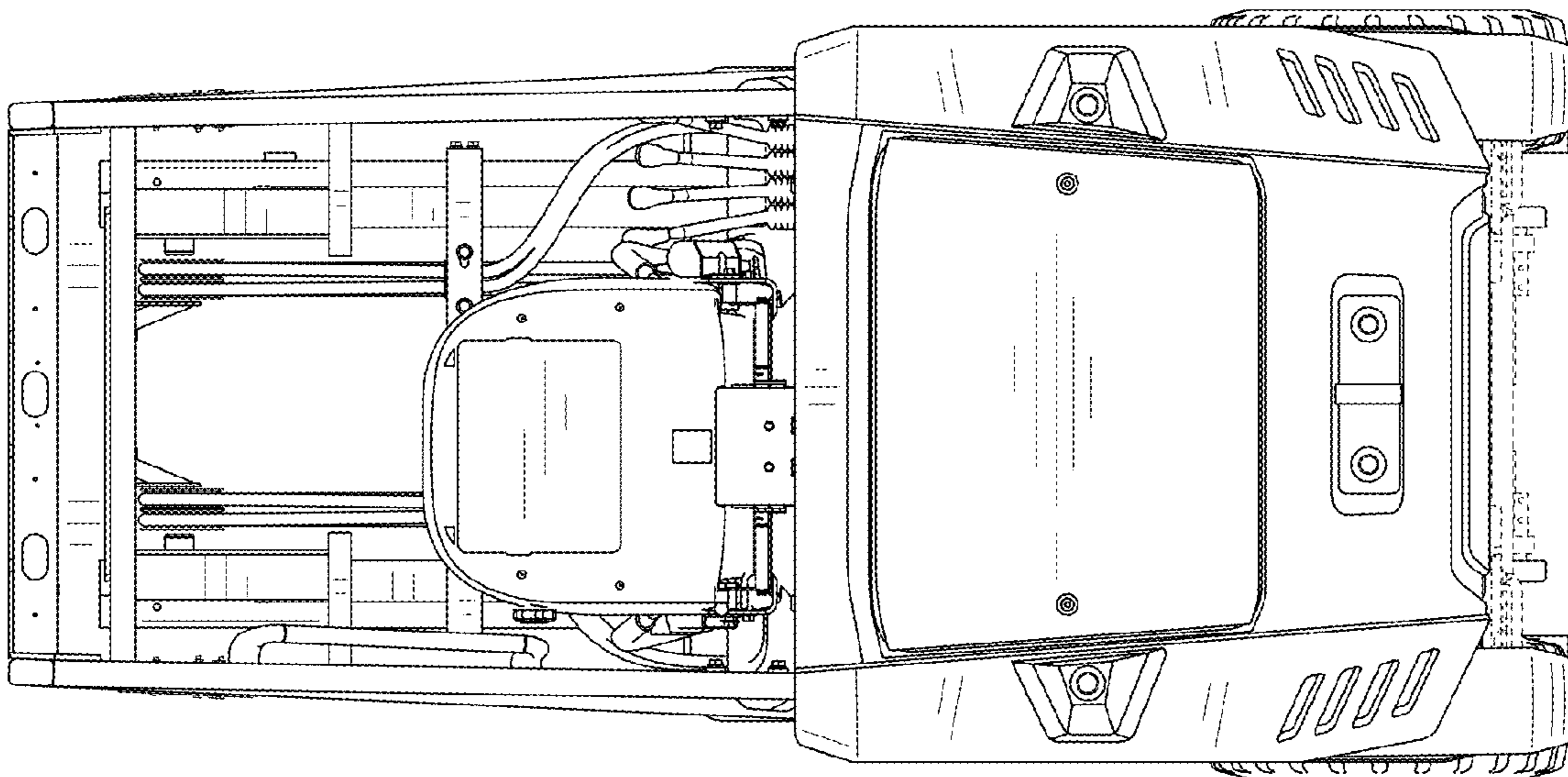


FIG. 5

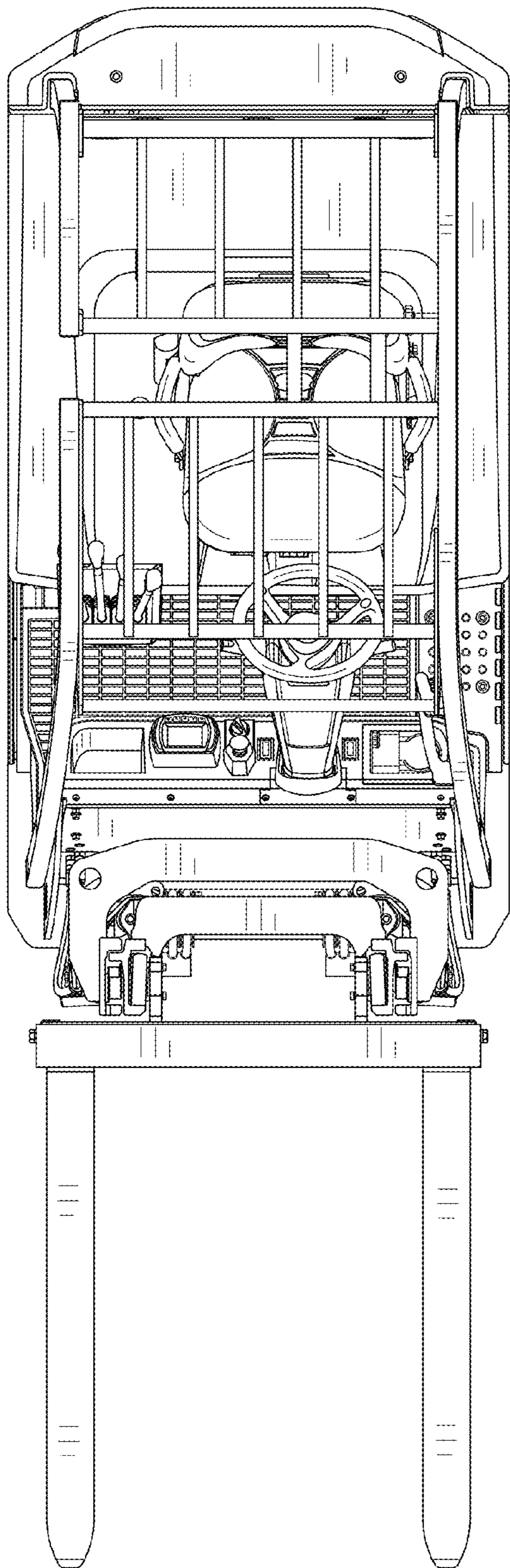


FIG. 7

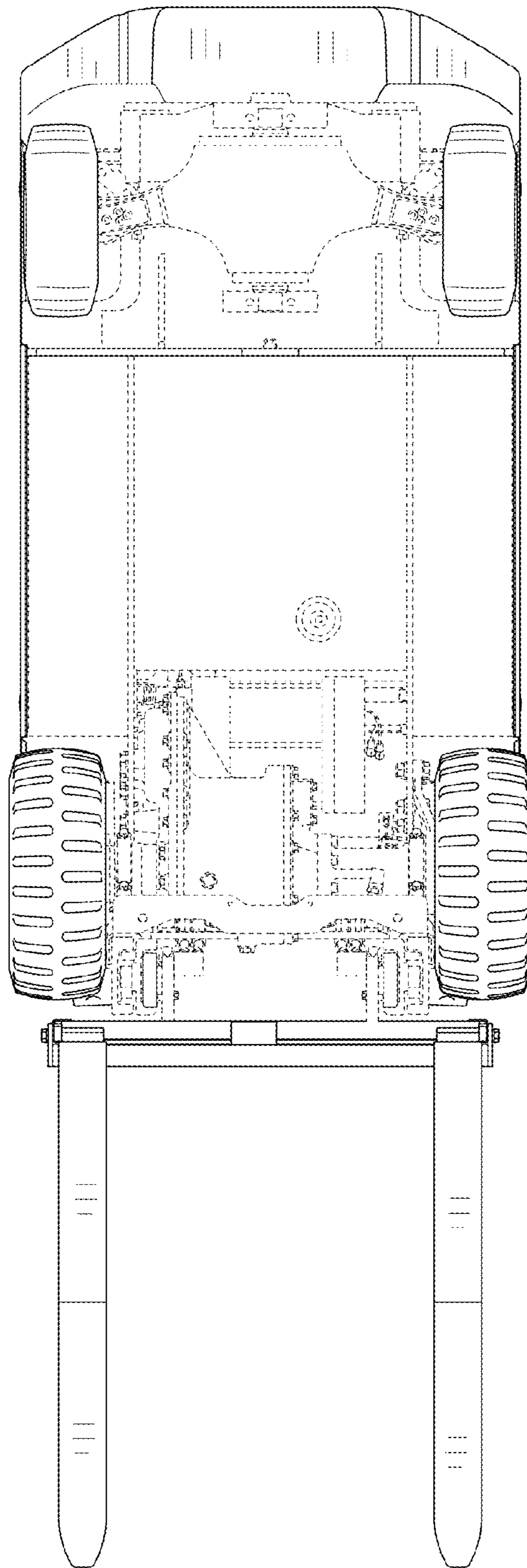


FIG. 8