



US00D923281S

(12) **United States Design Patent**
Wilcox et al.

(10) **Patent No.:** **US D923,281 S**
(45) **Date of Patent:** **** Jun. 22, 2021**

(54) **WINCH**

(71) Applicant: **Polaris Industries Inc.**, Medina, MN
(US)

(72) Inventors: **Steven D. Wilcox**, Moreno Valley, CA
(US); **Michael A. Hritz**, Wayzata, MN
(US)

(73) Assignee: **Polaris Industries Inc.**, Medina, MN
(US)

(**) Term: **15 Years**

(21) Appl. No.: **29/668,337**

(22) Filed: **Oct. 30, 2018**

(51) **LOC (13) Cl.** **12-05**

(52) **U.S. Cl.**
USPC **D34/33**

(58) **Field of Classification Search**
USPC D34/33, 35; 254/356, 357, 359, 344
CPC ... B66D 1/12; B66D 1/38; B66D 1/00; B66D
1/36; B66D 2700/0141; B66D 1/46;
B66D 1/485; B66D 1/30; B66D 1/56;
B66D 1/40

See application file for complete search history.

(56) **References Cited**

U.S. PATENT DOCUMENTS

D703,414 S * 4/2014 Fretz D34/33
9,266,702 B2 * 2/2016 Fretz B66D 1/36

9,315,364 B2 * 4/2016 Averill B66D 1/56
9,463,964 B2 * 10/2016 Heravi B66D 1/40
D776,395 S * 1/2017 Fretz D34/33
D816,938 S * 5/2018 Fretz D34/33
10,392,235 B2 * 8/2019 Fretz B66D 1/28
2014/0252286 A1 * 9/2014 Averill B66D 1/56
254/344

* cited by examiner

Primary Examiner — Gino Colan

(74) *Attorney, Agent, or Firm* — Harness, Dickey &
Pierce, P.L.C.

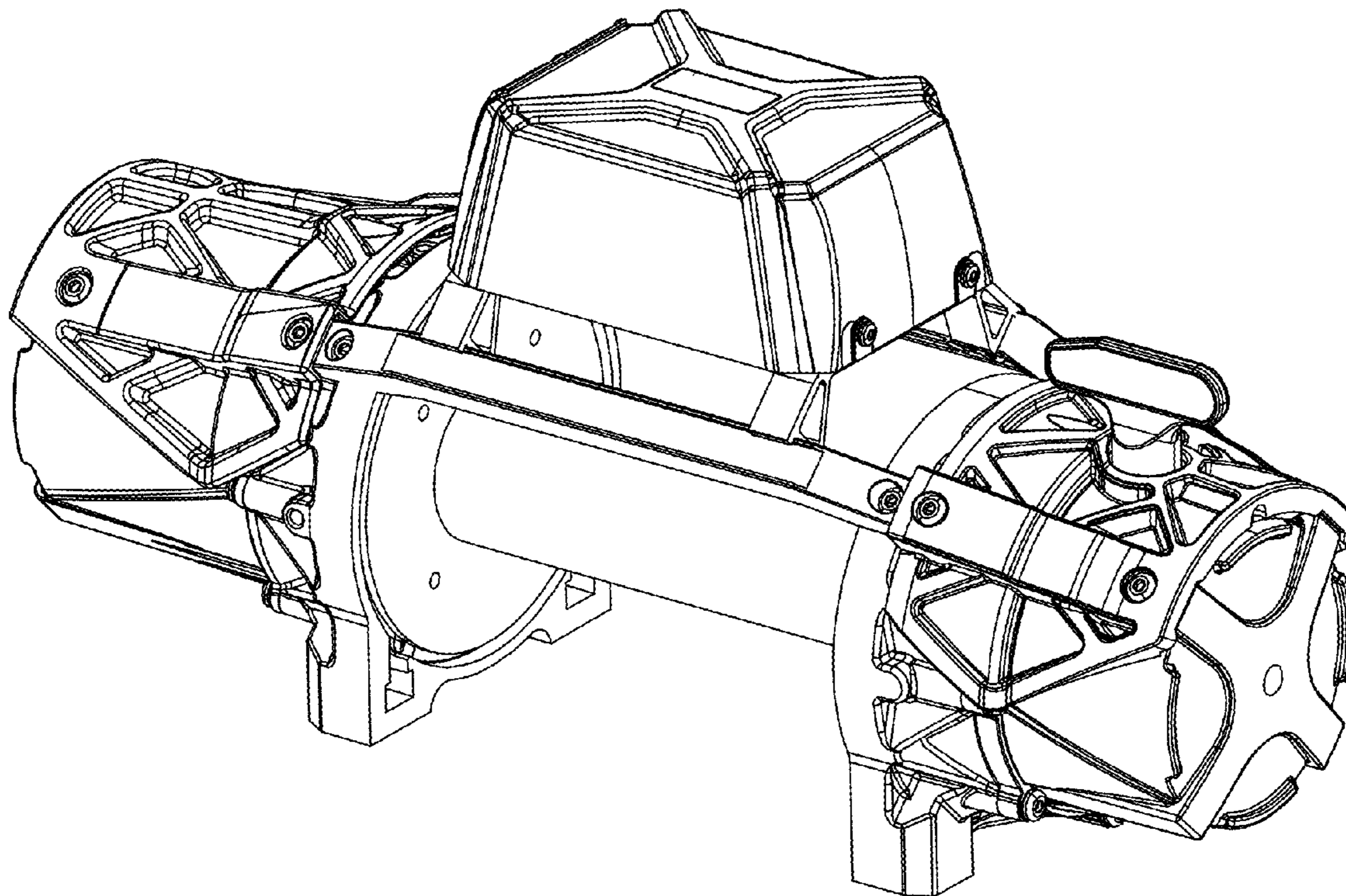
(57) **CLAIM**

The ornamental design for a winch, as shown and described.

DESCRIPTION

FIG. 1 is a perspective view of a winch;
FIG. 2 is a front elevational view thereof;
FIG. 3 is a left side elevational view thereof;
FIG. 4 is a rear elevational view thereof;
FIG. 5 is a right side elevational view thereof;
FIG. 6 is a top plan view thereof; and,
FIG. 7 is a bottom plan elevational view thereof.
The broken lines shown in the figures are for the purposes
of illustrating portions of the winch and form no part of the
claimed design.

1 Claim, 6 Drawing Sheets



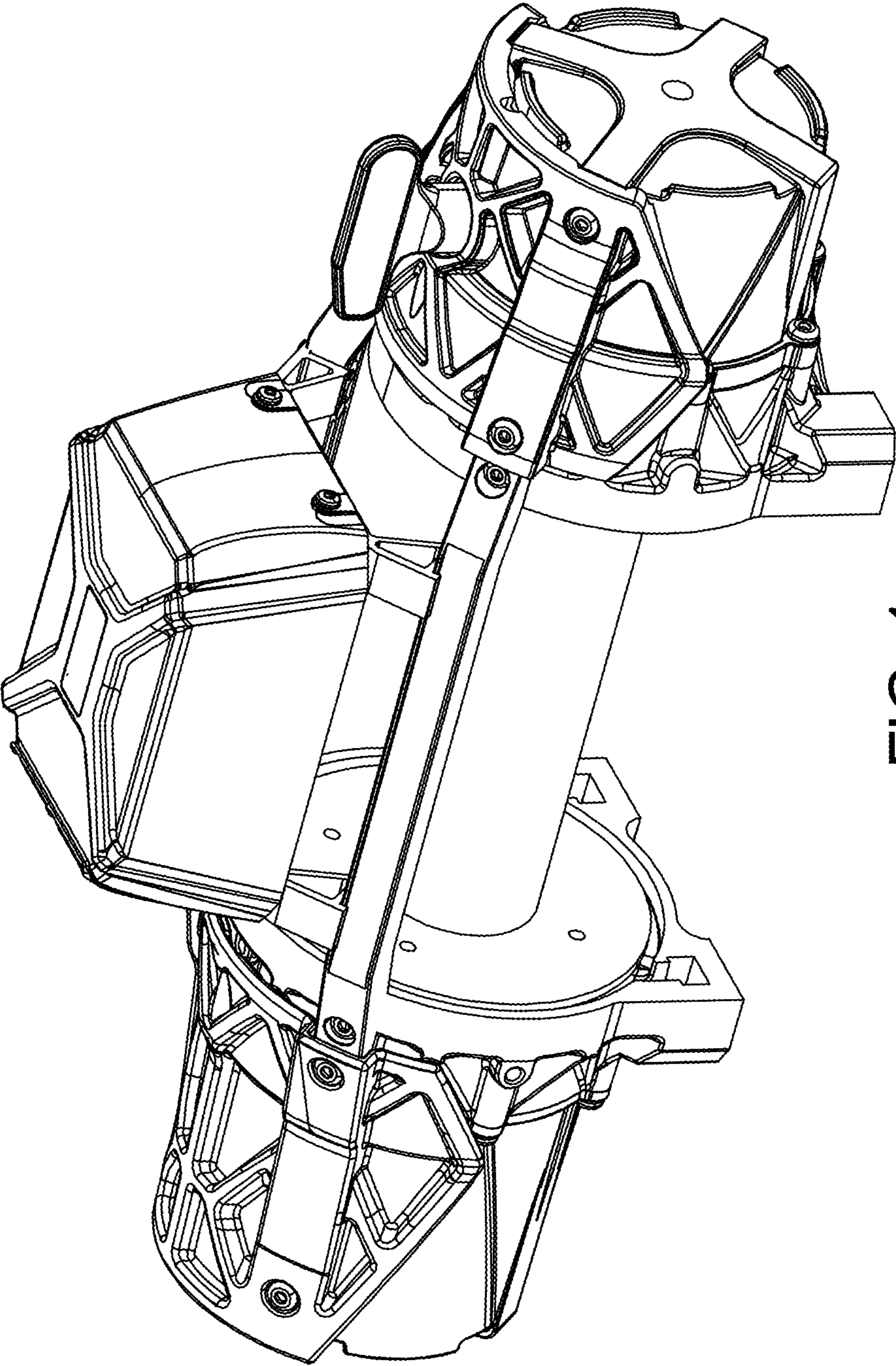


FIG. 1

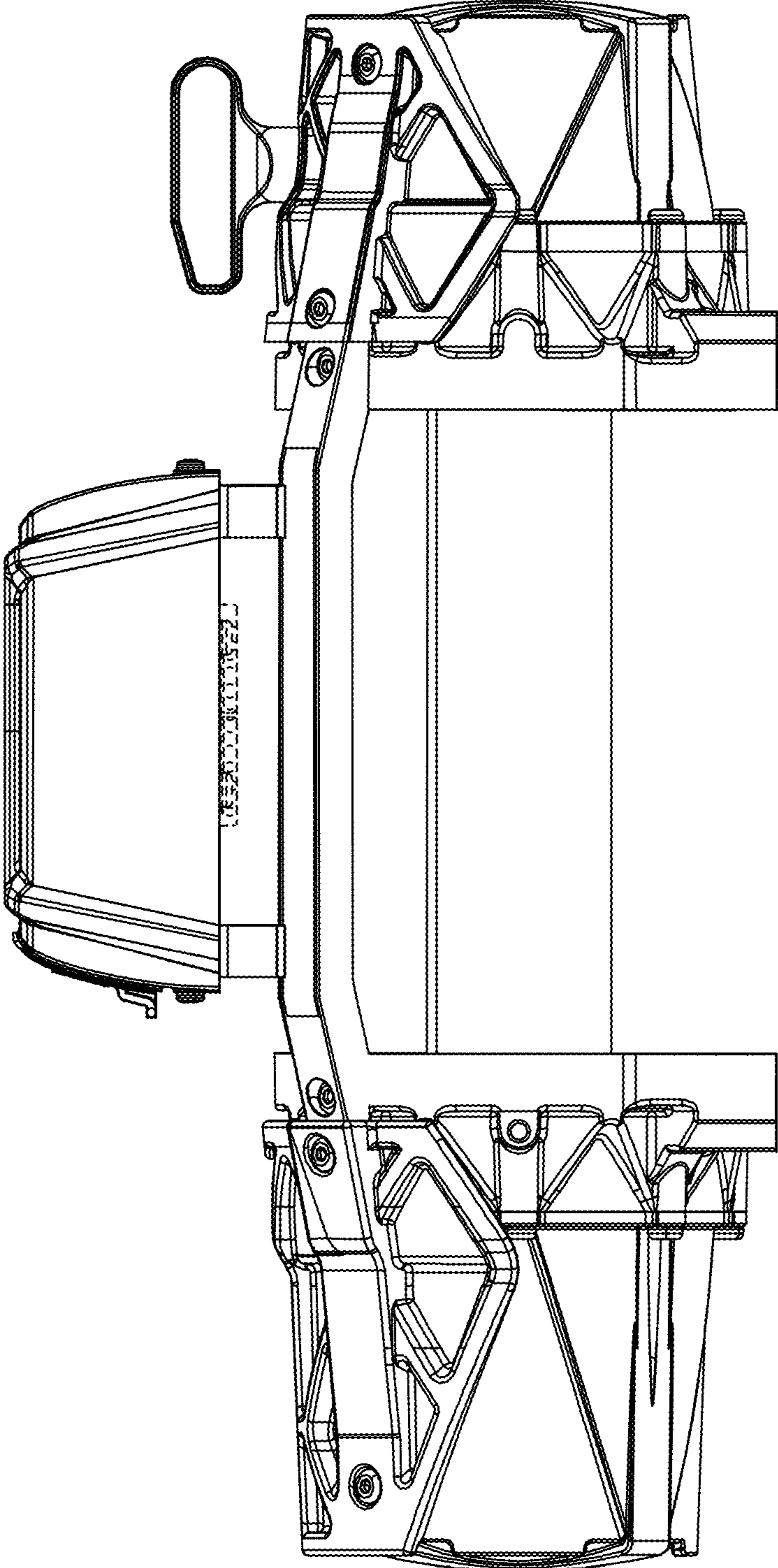


FIG. 2

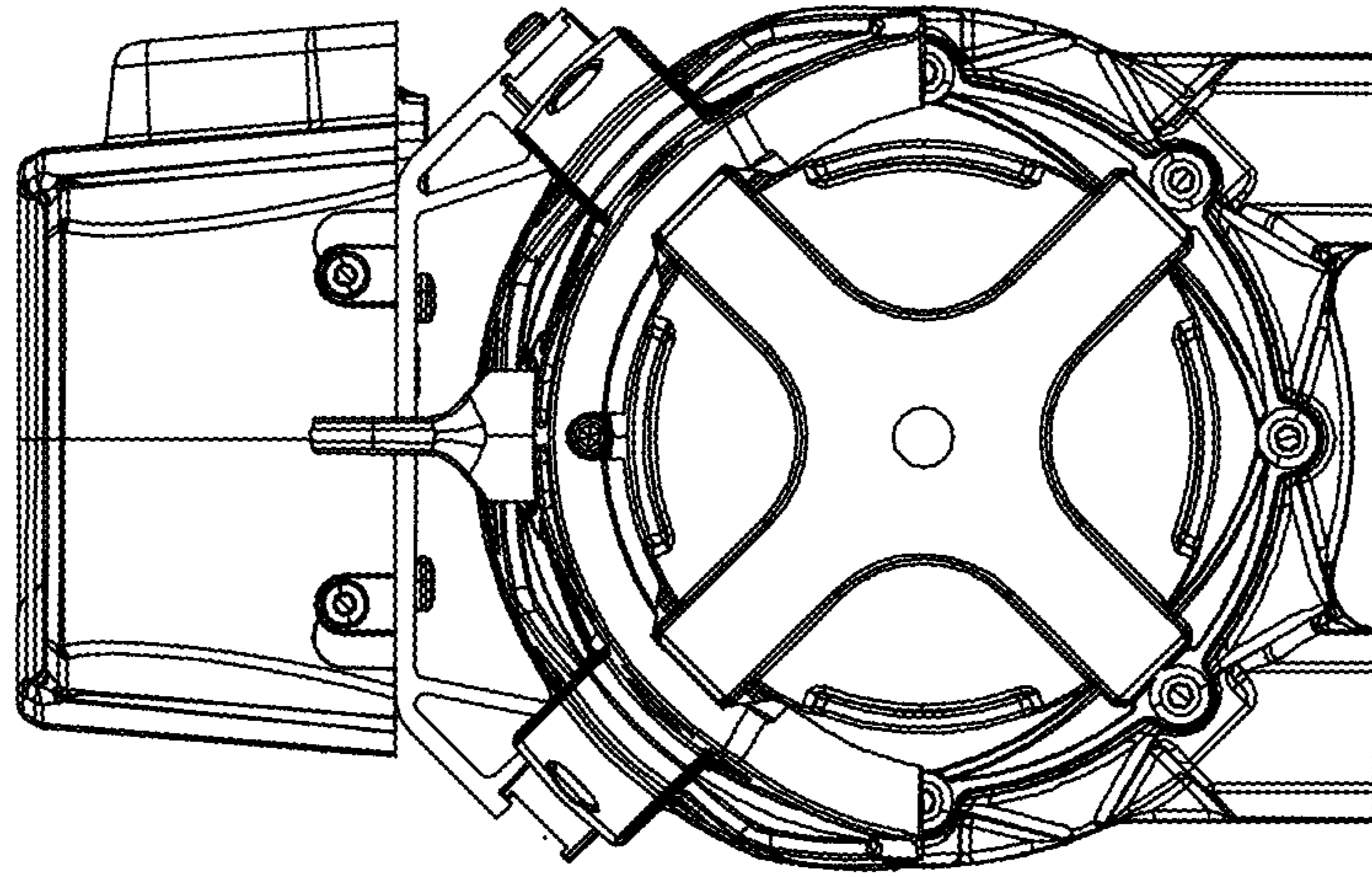


FIG. 5

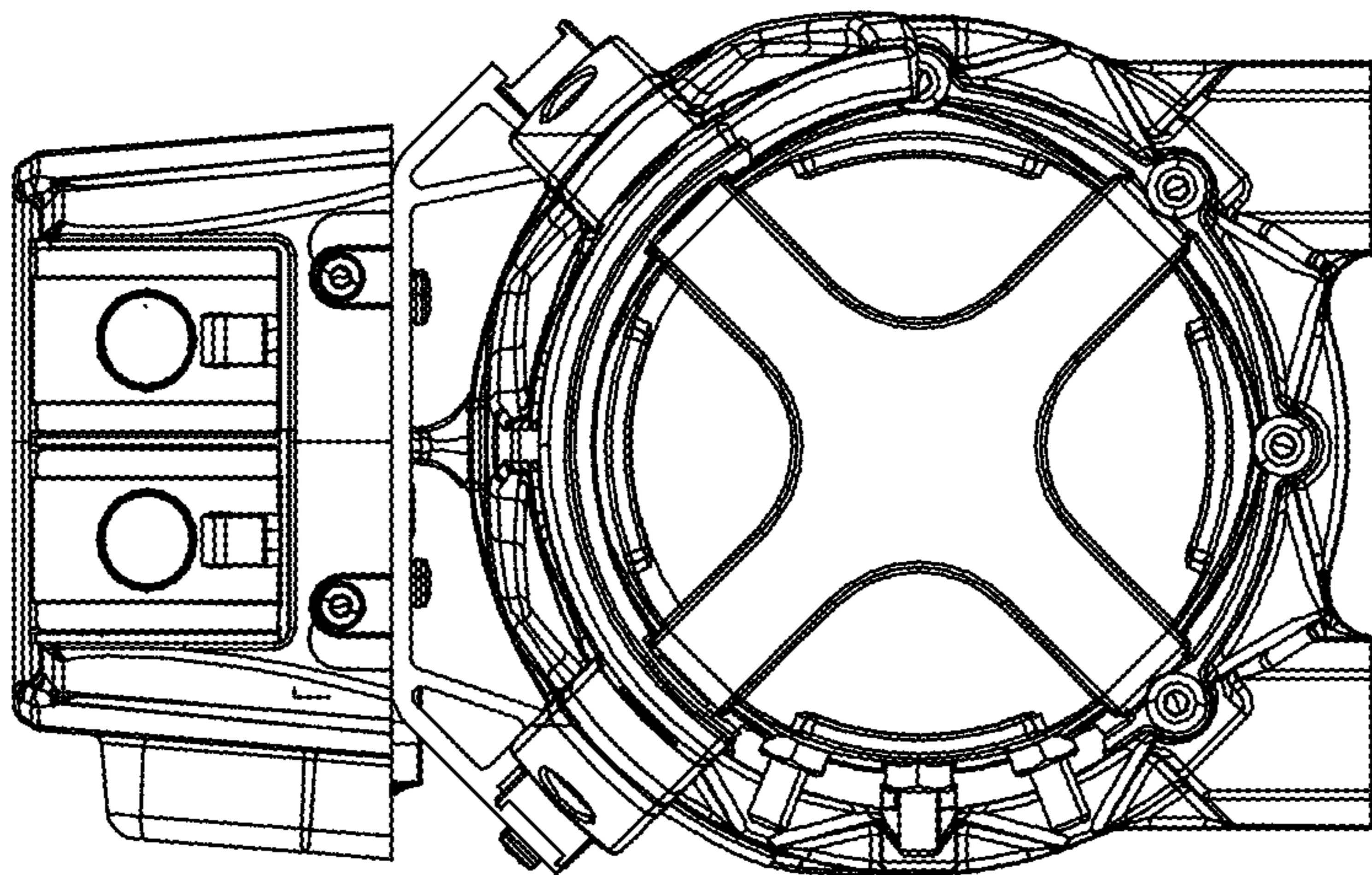


FIG. 3

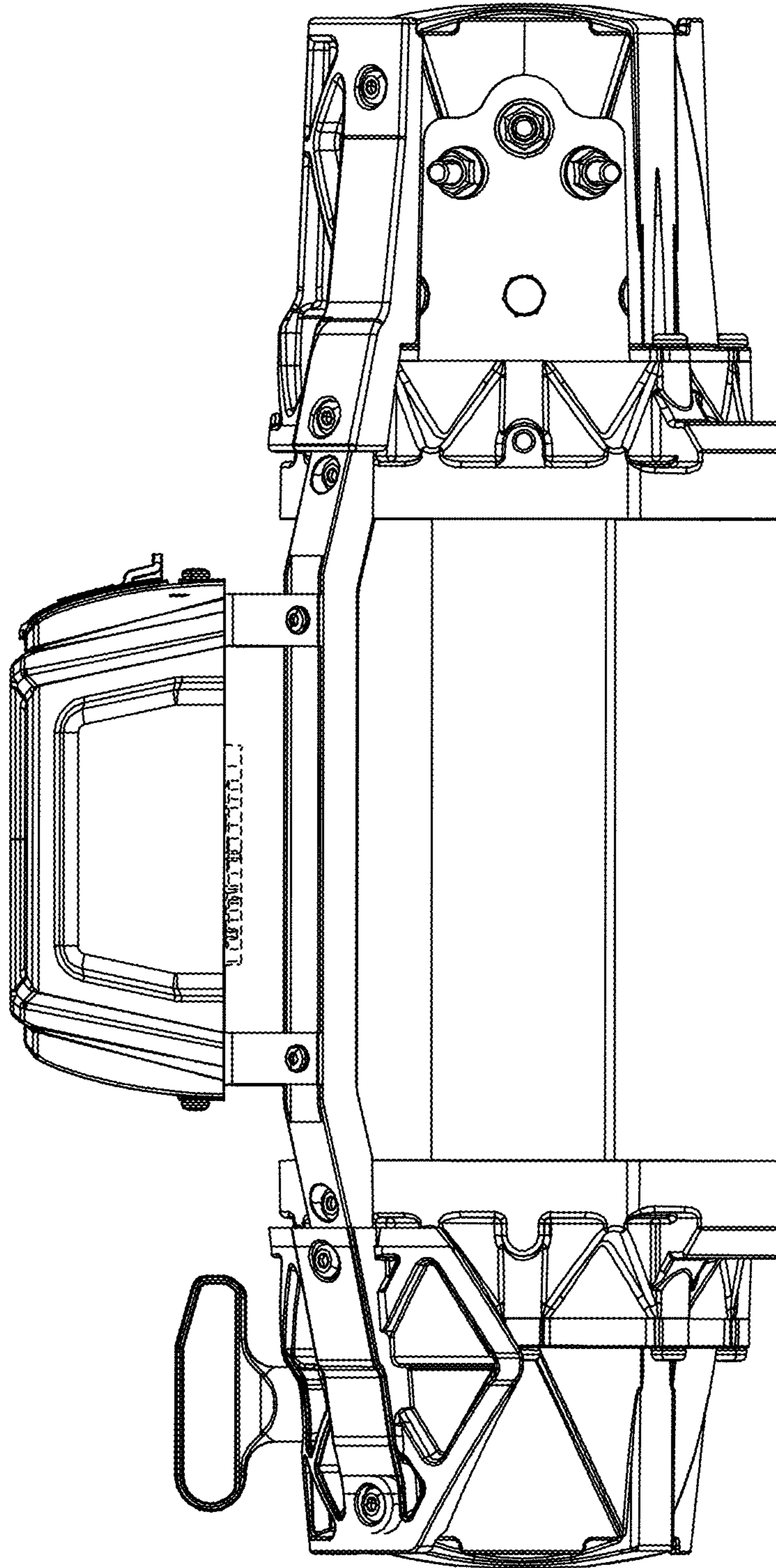


FIG. 4

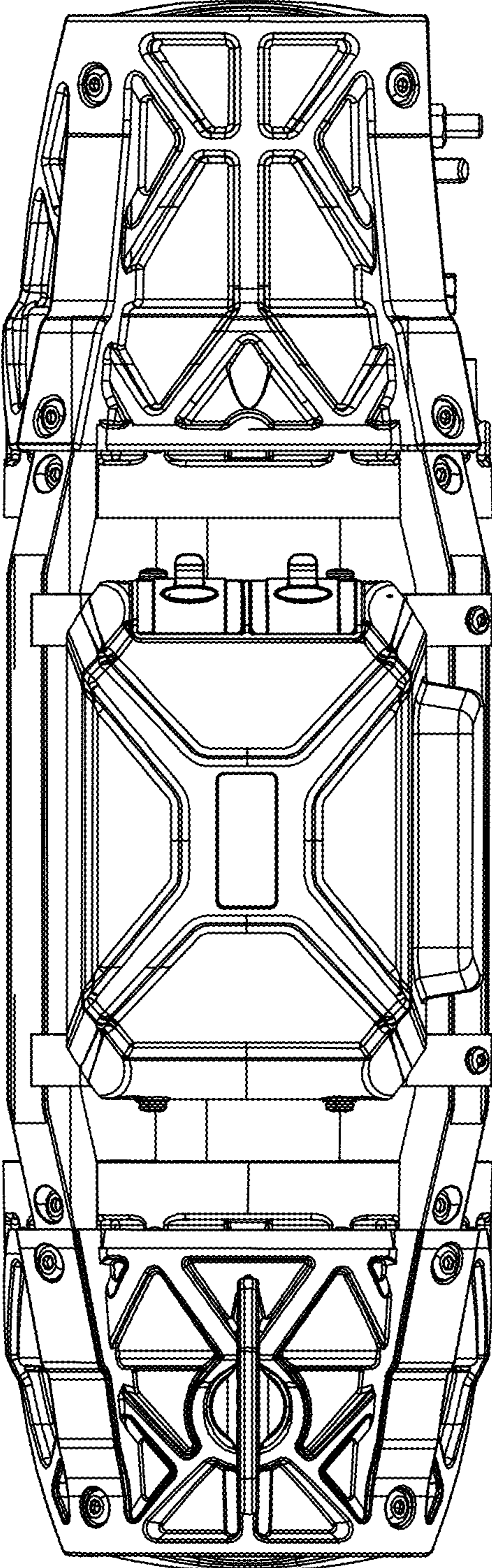


FIG. 6

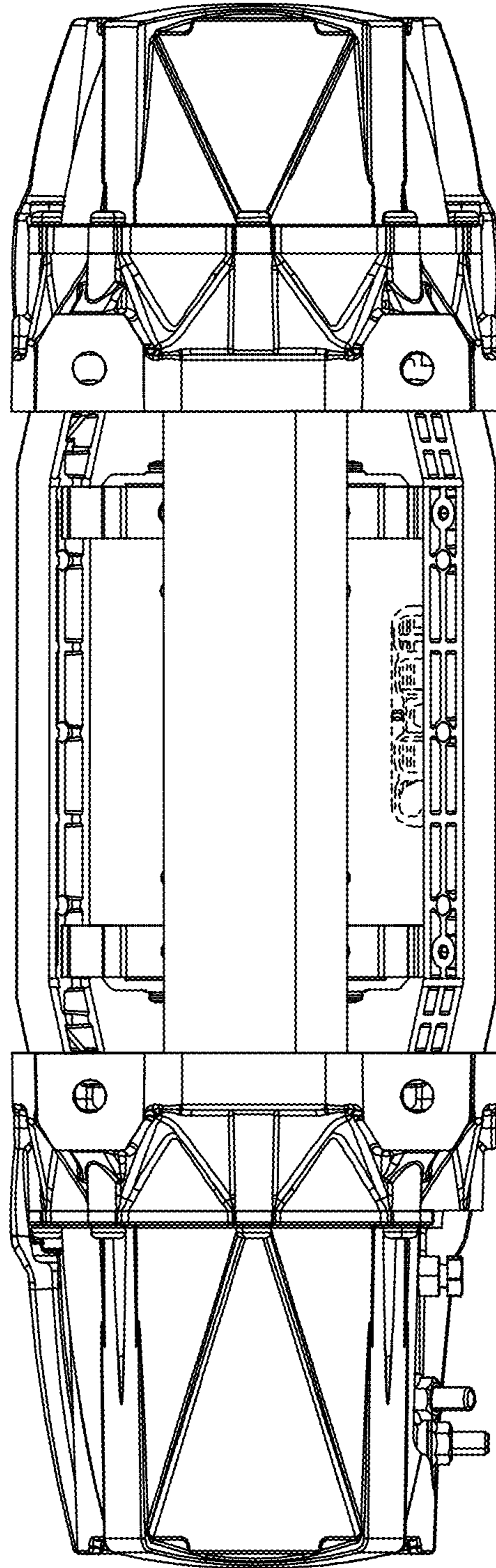


FIG. 7