

US00D923280S

(12) **United States Design Patent**
Zhang

(10) **Patent No.:** **US D923,280 S**
(45) **Date of Patent:** **** Jun. 22, 2021**

(54) **CAR RAMP**
(71) Applicant: **Qingdao Workercare Tools
Manufacture CO., LTD**, Shandong
(CN)
(72) Inventor: **Hongjian Zhang**, Shandong (CN)
(73) Assignee: **QINGDAO WORKERCARE TOOLS
MANUFACTURE CO., LTD**, Qingdao
(CN)

(**) Term: **15 Years**

(21) Appl. No.: **29/652,207**

(22) Filed: **Jun. 11, 2020**

(51) **LOC (13) Cl.** **12-05**

(52) **U.S. Cl.**
USPC **D34/32**

(58) **Field of Classification Search**
USPC D34/32; D12/217
CPC .. B66F 7/243; B66F 7/246; B66F 7/18; B66F
7/25; B66F 5/04
See application file for complete search history.

(56) **References Cited**

U.S. PATENT DOCUMENTS

RE34,889 E * 4/1995 Fogarty B60S 13/00
14/69.5
5,483,715 A * 1/1996 Fogarty B66F 7/243
14/69.5
D511,734 S * 11/2005 Moore D12/217
7,104,524 B1 * 9/2006 Hidding B66F 7/243
14/69.5
D567,471 S * 4/2008 Haimoff D34/32
D601,479 S * 10/2009 Shaw D12/217
D683,924 S * 6/2013 Wolfenbarger D34/32
D705,514 S * 5/2014 Tai D34/32
8,782,839 B1 * 7/2014 Forbis B66F 7/243
14/69.5
D734,681 S * 7/2015 Milbank D10/69
D912,363 S * 3/2021 Cheung D34/32

2006/0043350 A1* 3/2006 Branstetter B66F 7/243
254/88
2009/0100613 A1* 4/2009 Igwemezie B66F 7/243
14/69.5
2015/0246798 A1* 9/2015 Guzman Restori B66F 7/243
14/72.5
2020/0407205 A1* 12/2020 Belton B65G 67/04

FOREIGN PATENT DOCUMENTS

CN 305812663 S 5/2020

OTHER PUBLICATIONS

Google search, Apr. 8, 2021, Super Low car ramps, <https://www.driftshop.com/super-low-car-ramps.html> (Year: 2021).
Google search, Apr. 8, 2021, 1 Pair 5 Ton Super Low Profile Car Ramps 7cm Rise Antiskid Vehicle Service Ramp <https://www.ebay.com/itm/133682484936?mkevt=1&mkcid=1&mkrid=711-53200-19255-0&campid=5338722076&toolid=10001> (Year: 2021).
U.S. Appl. No. 29/730,576, filed Apr. 6, 2020.

* cited by examiner

Primary Examiner — Cynthia Ramirez
(74) *Attorney, Agent, or Firm* — Buchanan Ingersoll & Rooney PC

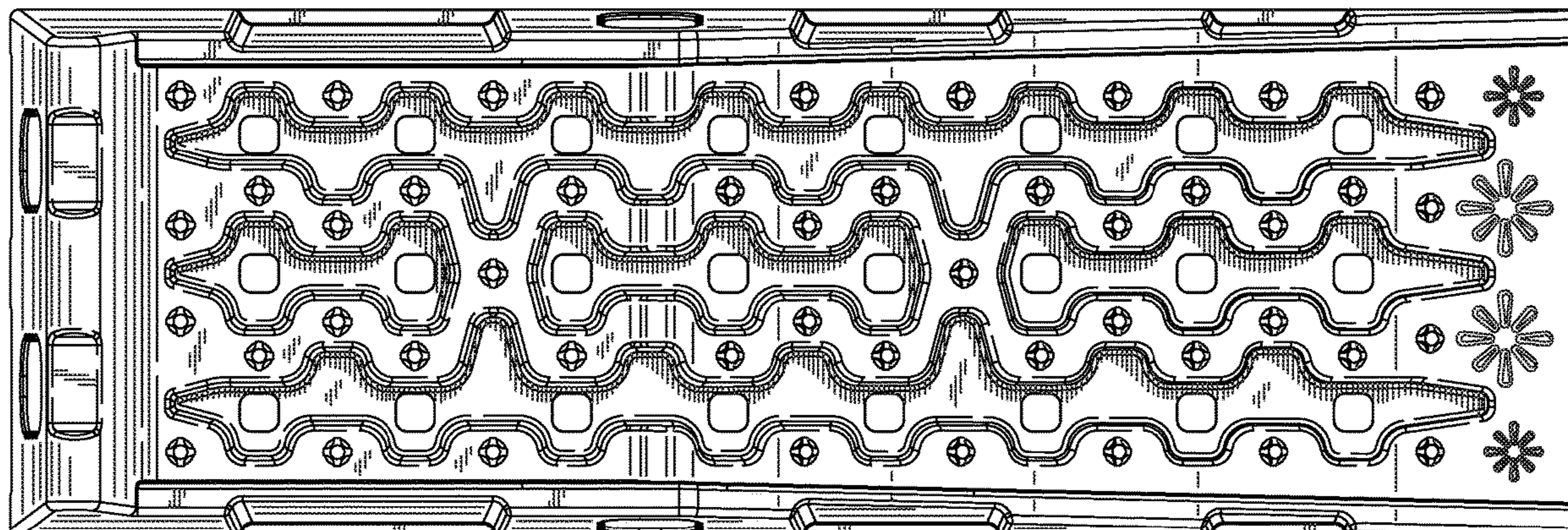
(57) **CLAIM**

The ornamental design for a car ramp, as shown and described.

DESCRIPTION

FIG. 1 is a top view of a car ramp;
FIG. 2 is a front view of FIG. 1;
FIG. 3 is a rear view of FIG. 1;
FIG. 4 is a bottom view of FIG. 1;
FIG. 5 is a right side view of FIG. 1;
FIG. 6 is a left side view of FIG. 1;
FIG. 7 is a left perspective view of FIG. 1; and,
FIG. 8 is a right perspective view of FIG. 1.

1 Claim, 7 Drawing Sheets



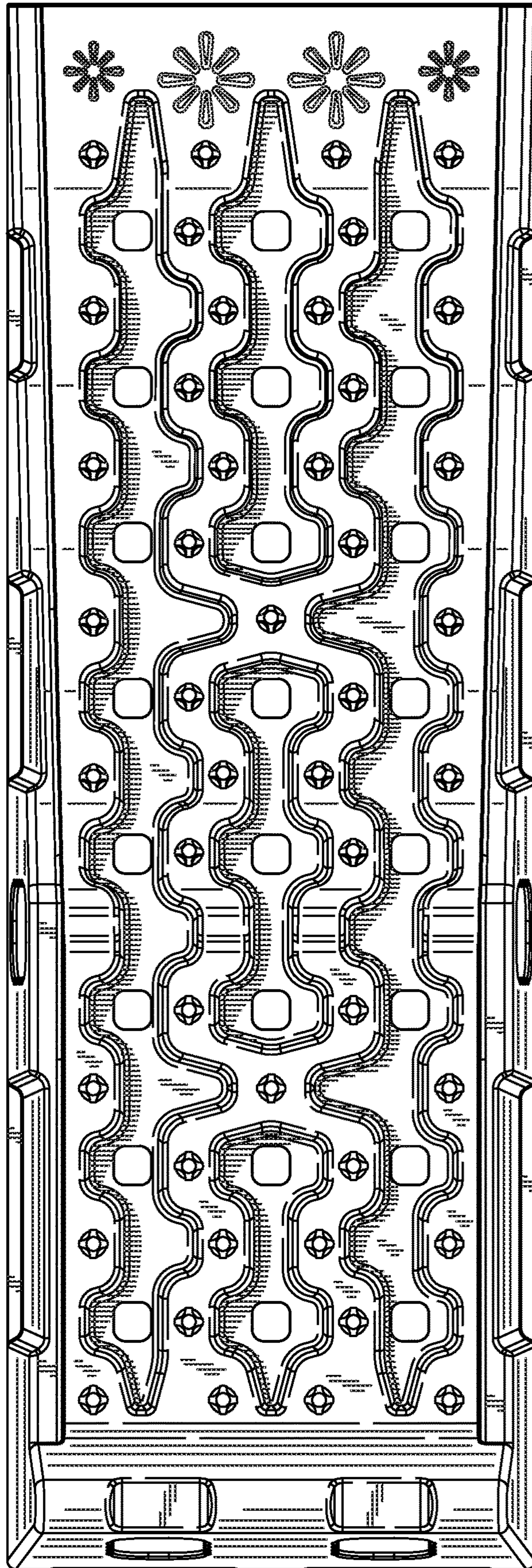


FIG 1

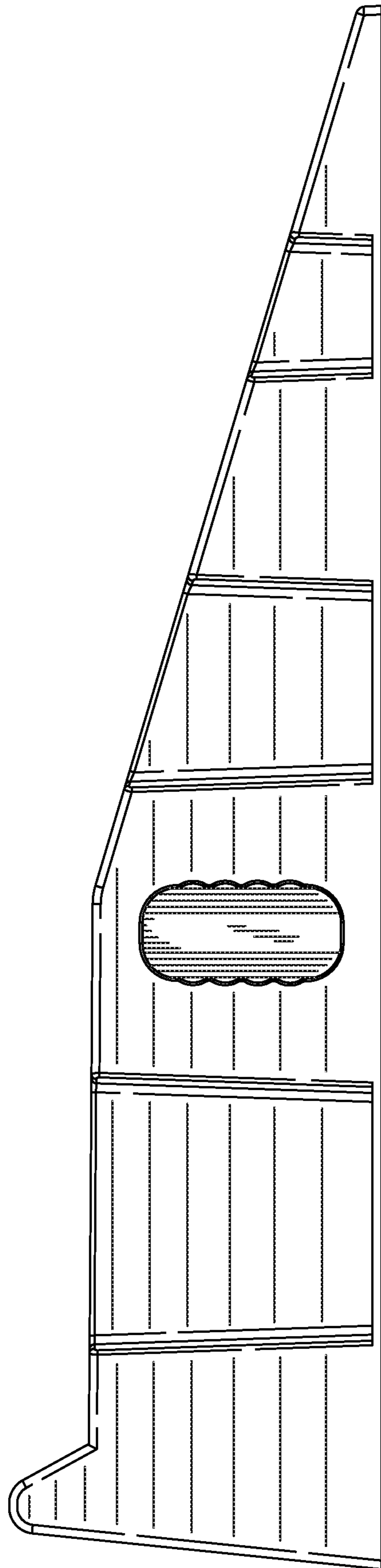


FIG 2

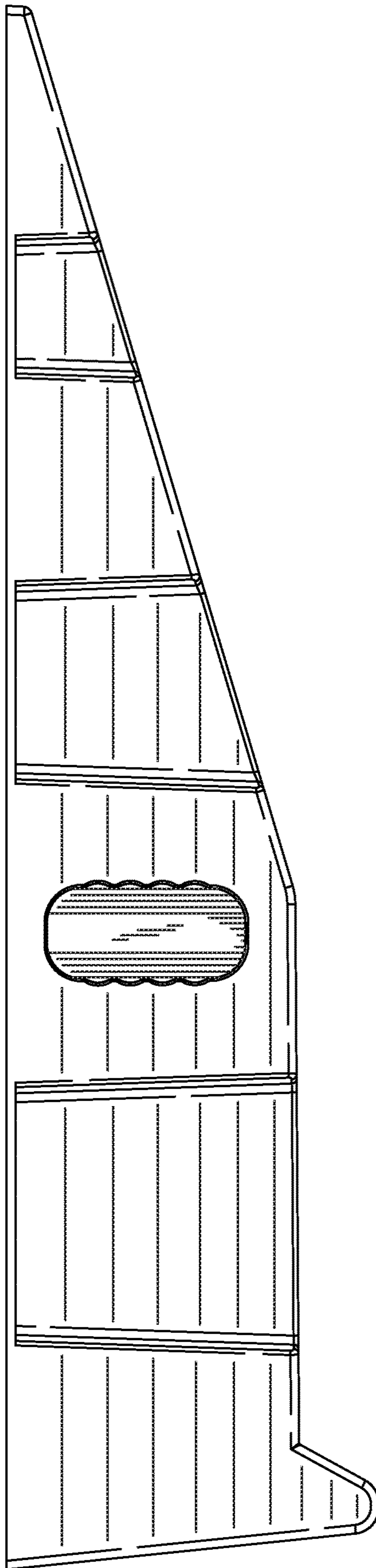


FIG 3

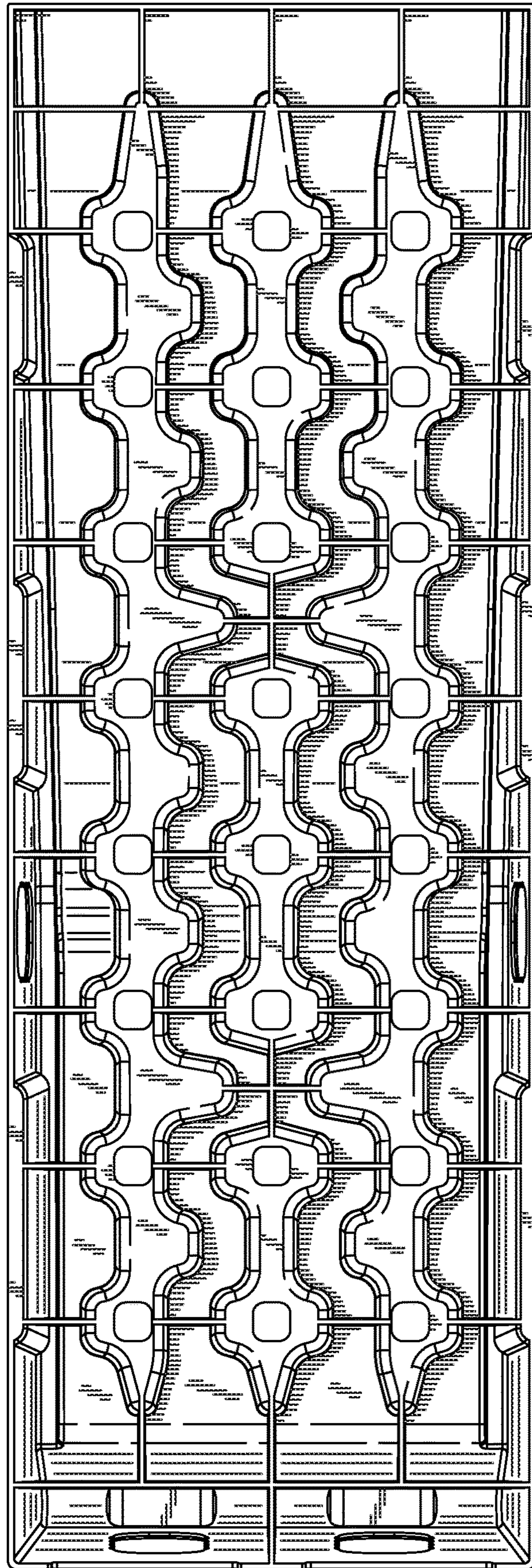


FIG 4

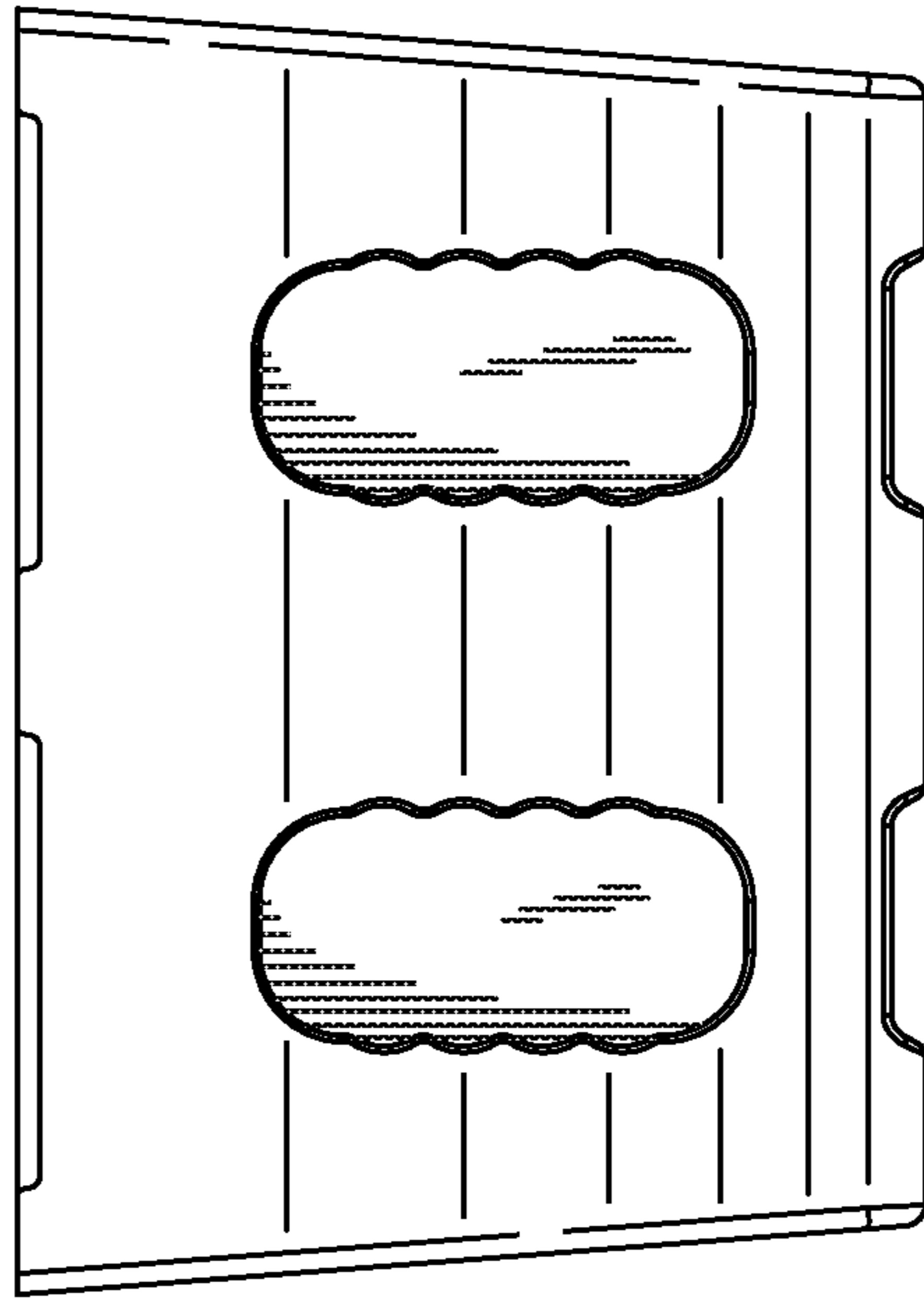


FIG 6

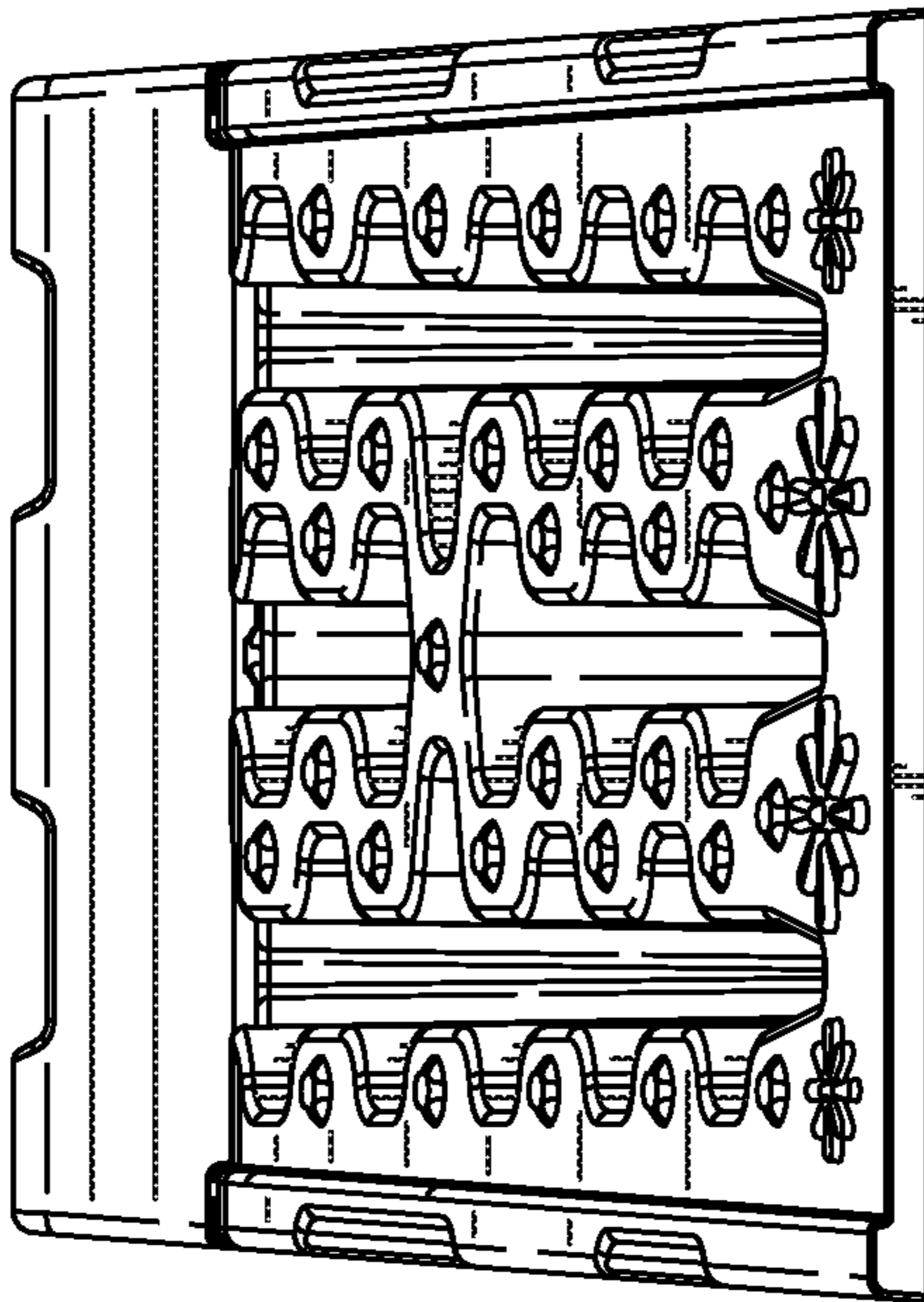


FIG 5

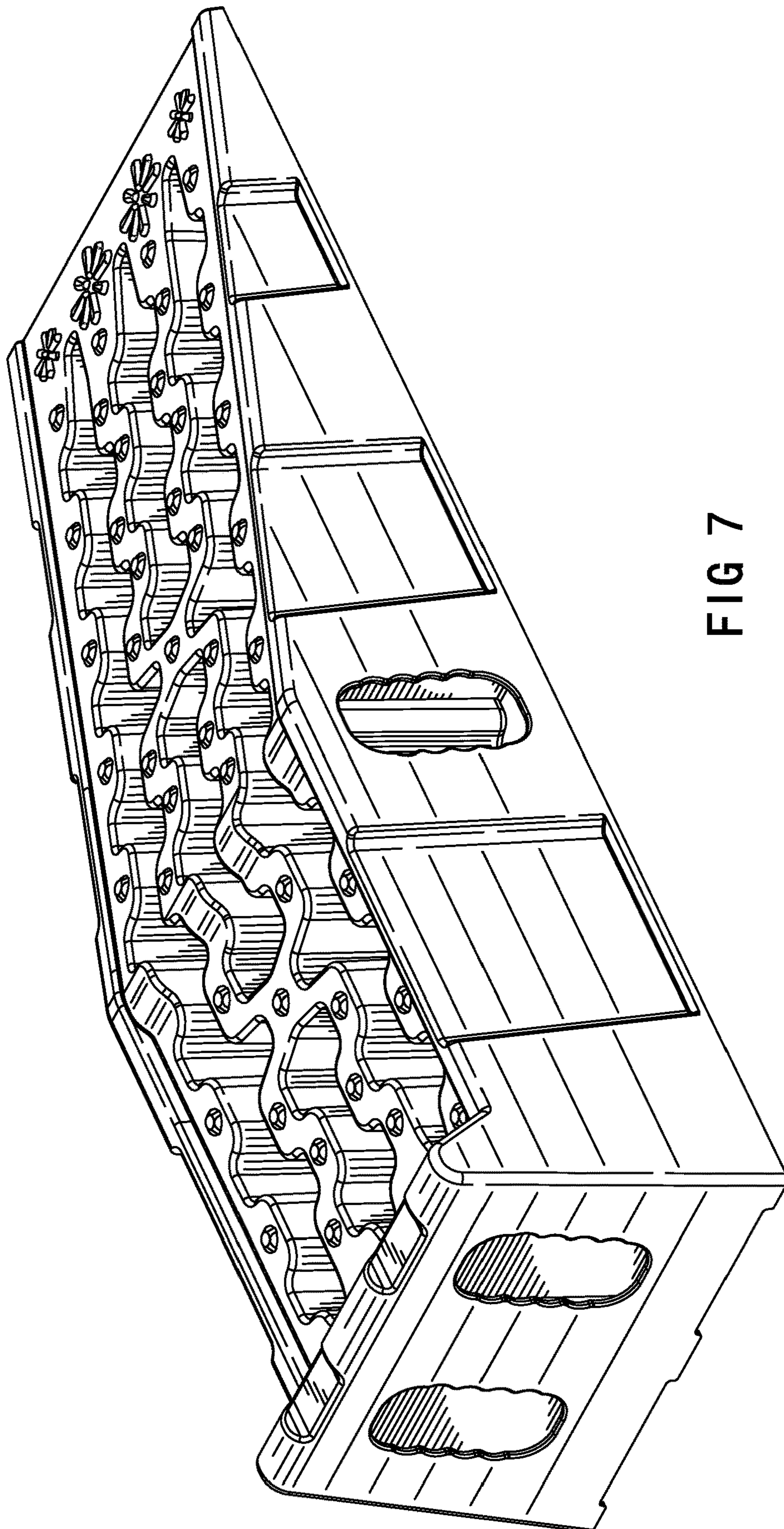


FIG 7

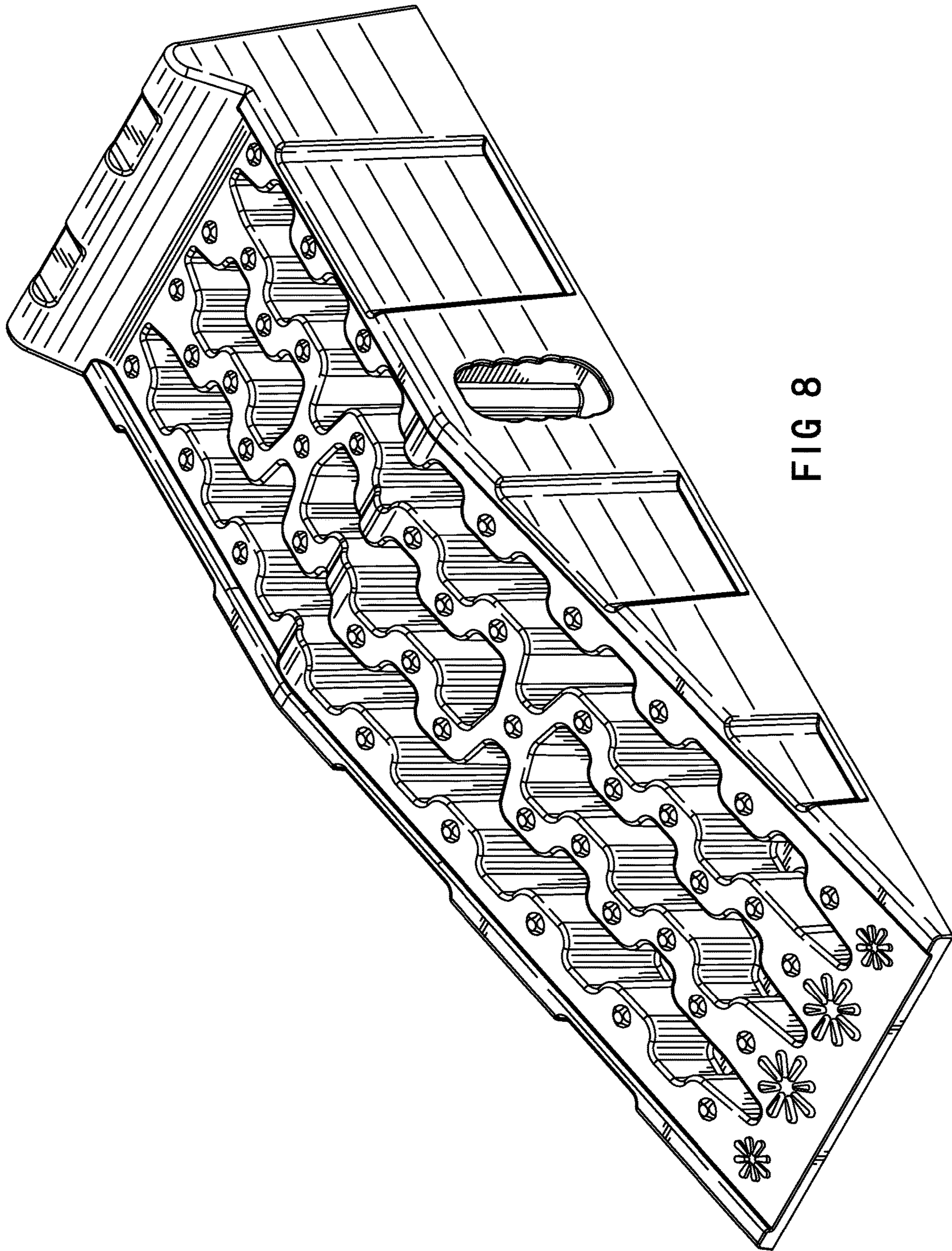


FIG 8