



US00D923277S

(12) **United States Design Patent** (10) **Patent No.:** **US D923,277 S**
Wellington et al. (45) **Date of Patent:** **** Jun. 22, 2021**

(54) **UTILITY CART HANDLE**

(71) Applicant: **GLOBAL INDUSTRIAL DISTRIBUTION INC.**, Port Washington, NY (US)

(72) Inventors: **Harry Wellington**, Port Washington, NY (US); **Bruce Zutler**, Port Washington, NY (US); **Richard Leeds**, Port Washington, NY (US); **Daniel Doodnauth**, Port Washington, NY (US)

(73) Assignee: **GLOBAL INDUSTRIAL DISTRIBUTION INC.**, Port Washington, NY (US)

8,313,114 B1 * 11/2012 Aron B62B 3/1472
 280/33.991

D714,011 S * 9/2014 Fredendall D34/27
 D714,012 S * 9/2014 Fredendall D34/27
 D733,388 S * 6/2015 Stauff D34/27
 D792,674 S * 7/2017 Stauff D34/27
 D861,880 S * 10/2019 Verschoor D24/185
 2009/0033118 A1 * 2/2009 Gomez B62B 9/26
 296/37.4

(**) Term: **15 Years**

(21) Appl. No.: **29/663,002**

(22) Filed: **Sep. 11, 2018**

(51) **LOC (13) Cl.** **12-02**

(52) **U.S. Cl.**
USPC **D34/27**

(58) **Field of Classification Search**
 USPC D34/27; D7/552.1, 553.5
 CPC B62B 3/14; B62B 3/144; B62B 3/1452;
 B62B 2501/065
 See application file for complete search history.

(56) **References Cited**

U.S. PATENT DOCUMENTS

D435,196 S * 12/2000 Gregor D12/420
 D482,172 S * 11/2003 Johnson D34/27

* cited by examiner

Primary Examiner — Cynthia Ramirez
 (74) *Attorney, Agent, or Firm* — Troutman Pepper Hamilton Sanders LLP

(57) **CLAIM**

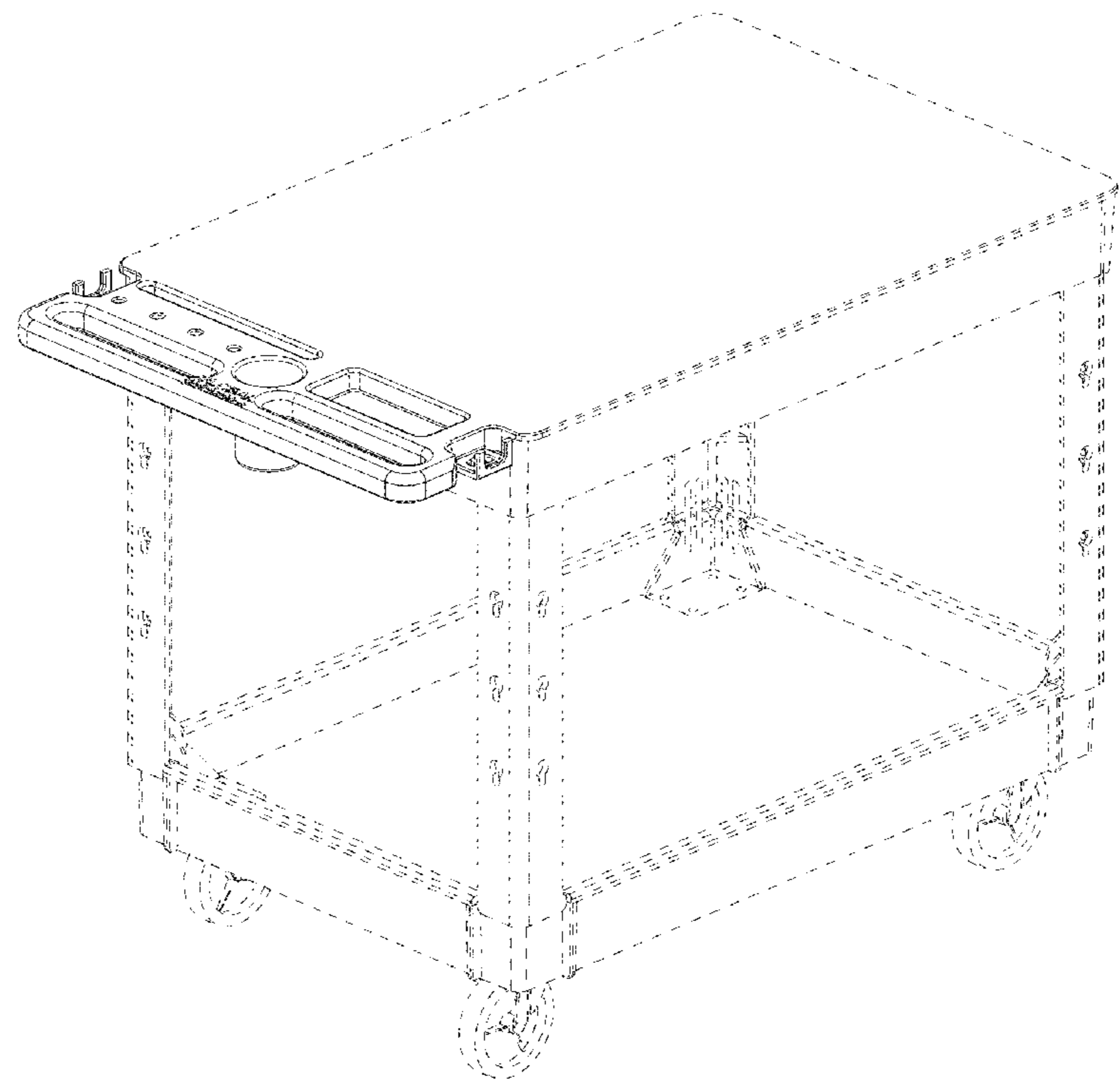
The ornamental design for a utility cart handle, as shown and described.

DESCRIPTION

FIG. 1 is a top perspective view of a utility cart handle showing our new design;
 FIG. 2 is a top back perspective view thereof;
 FIG. 3 is a top view thereof;
 FIG. 4 is a front view thereof;
 FIG. 5 is a side view thereof;
 FIG. 6 is a back view thereof; and,
 FIG. 7 is a bottom view thereof.

The broken lines showing lettering on the handle show portions of the utility cart handle which form no part of the claimed design. Additional broken lines show environment and form no part of the claimed design.

1 Claim, 7 Drawing Sheets



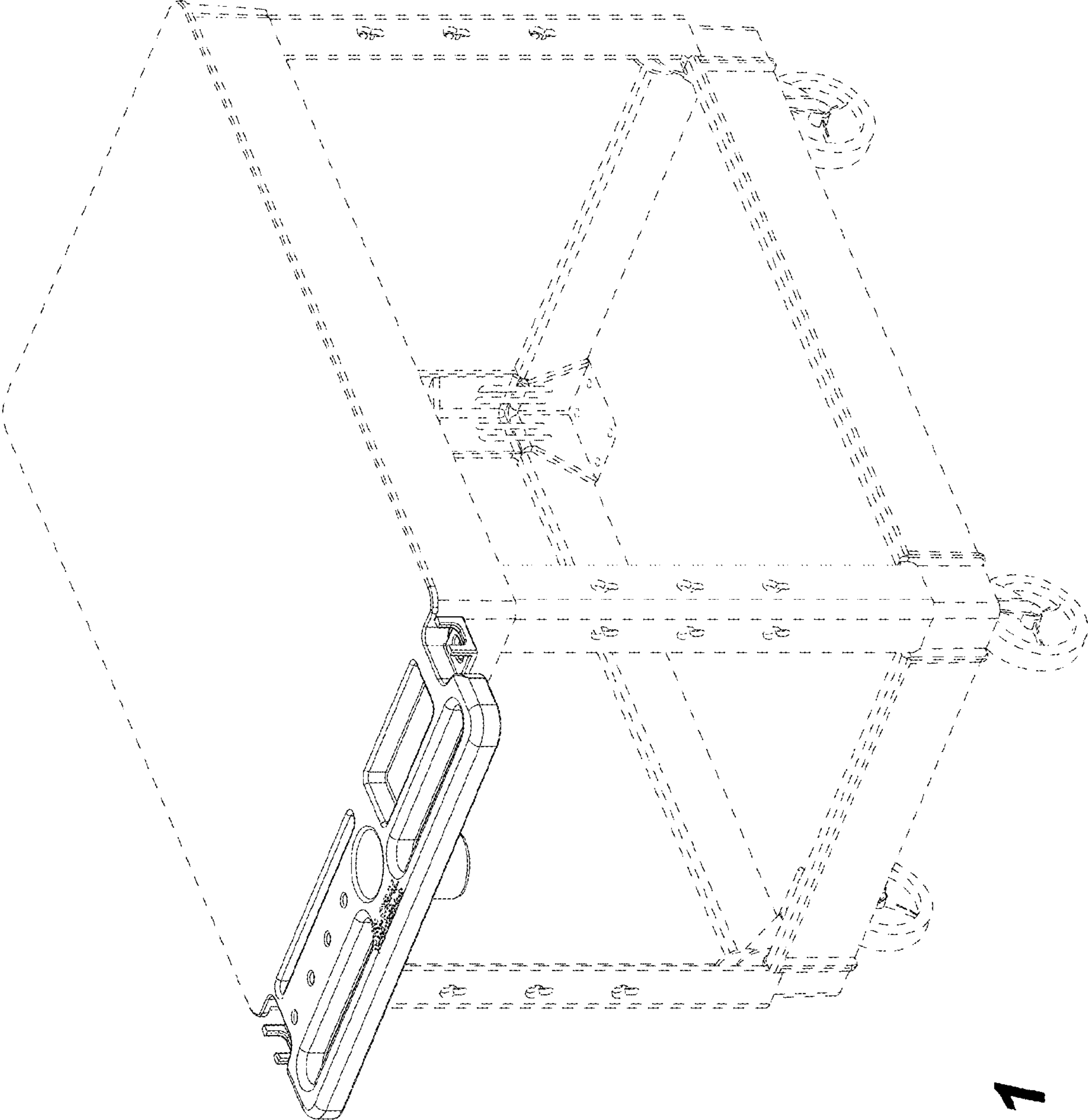


FIG. 1

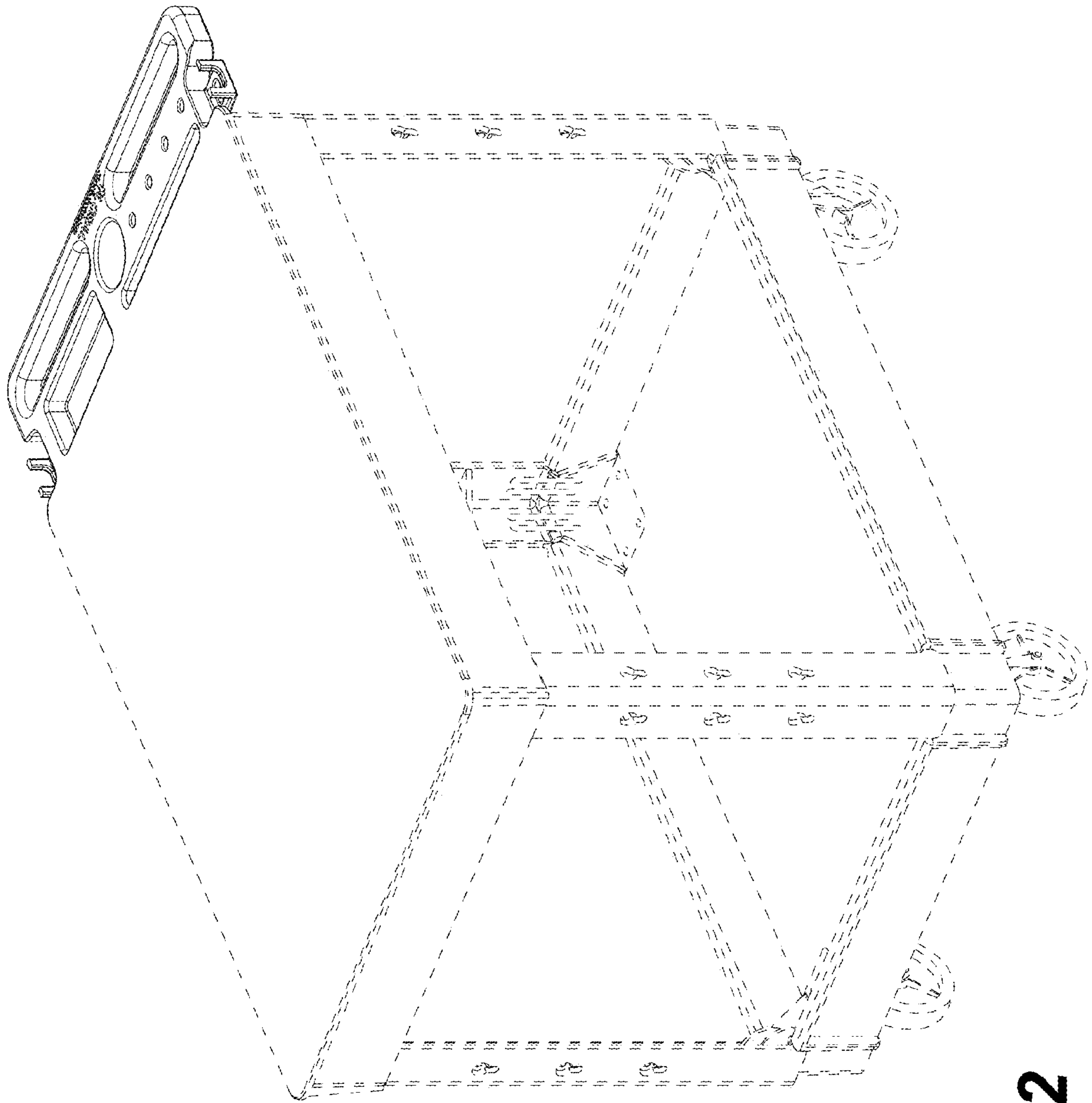


FIG. 2

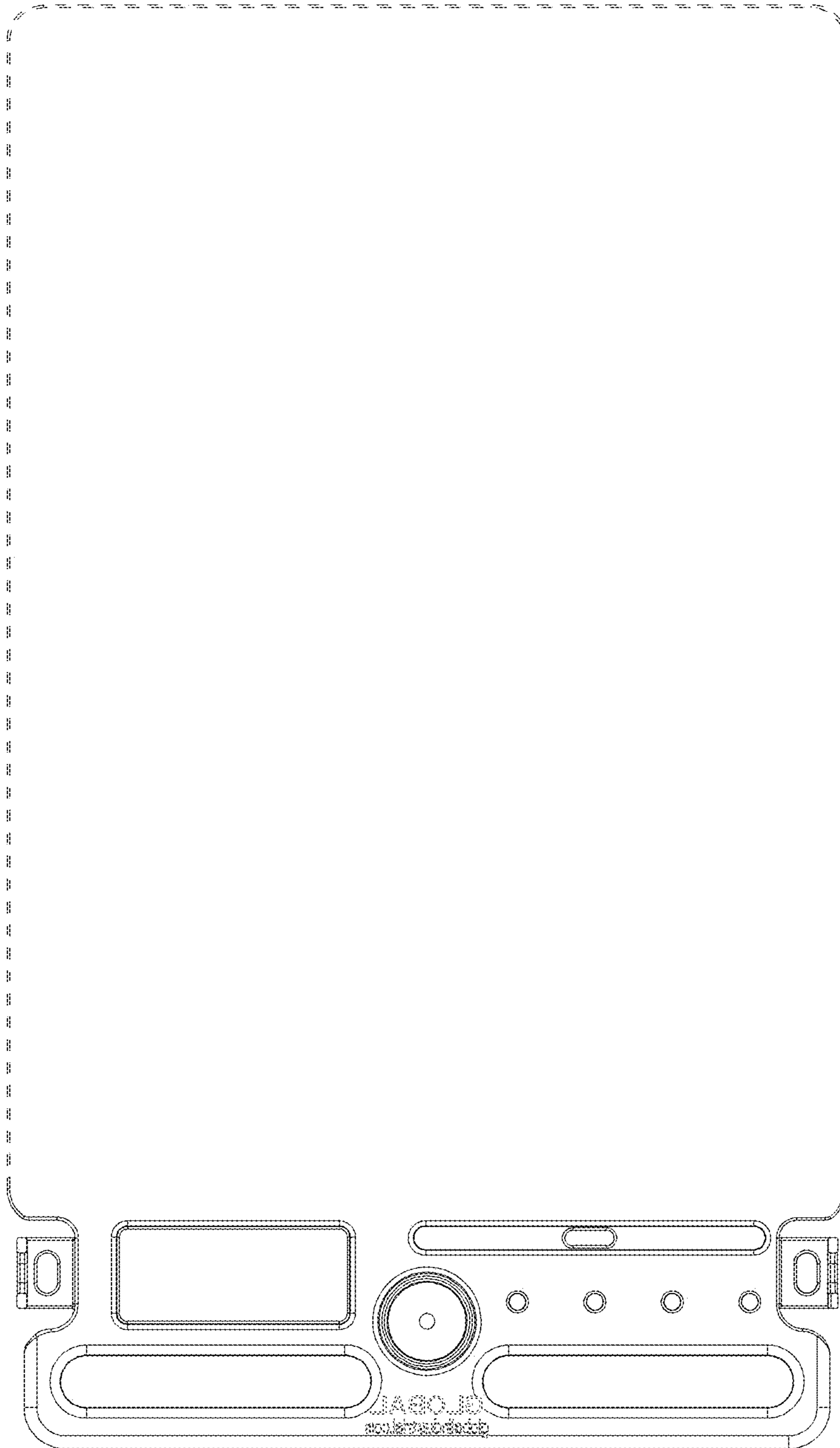


FIG. 3

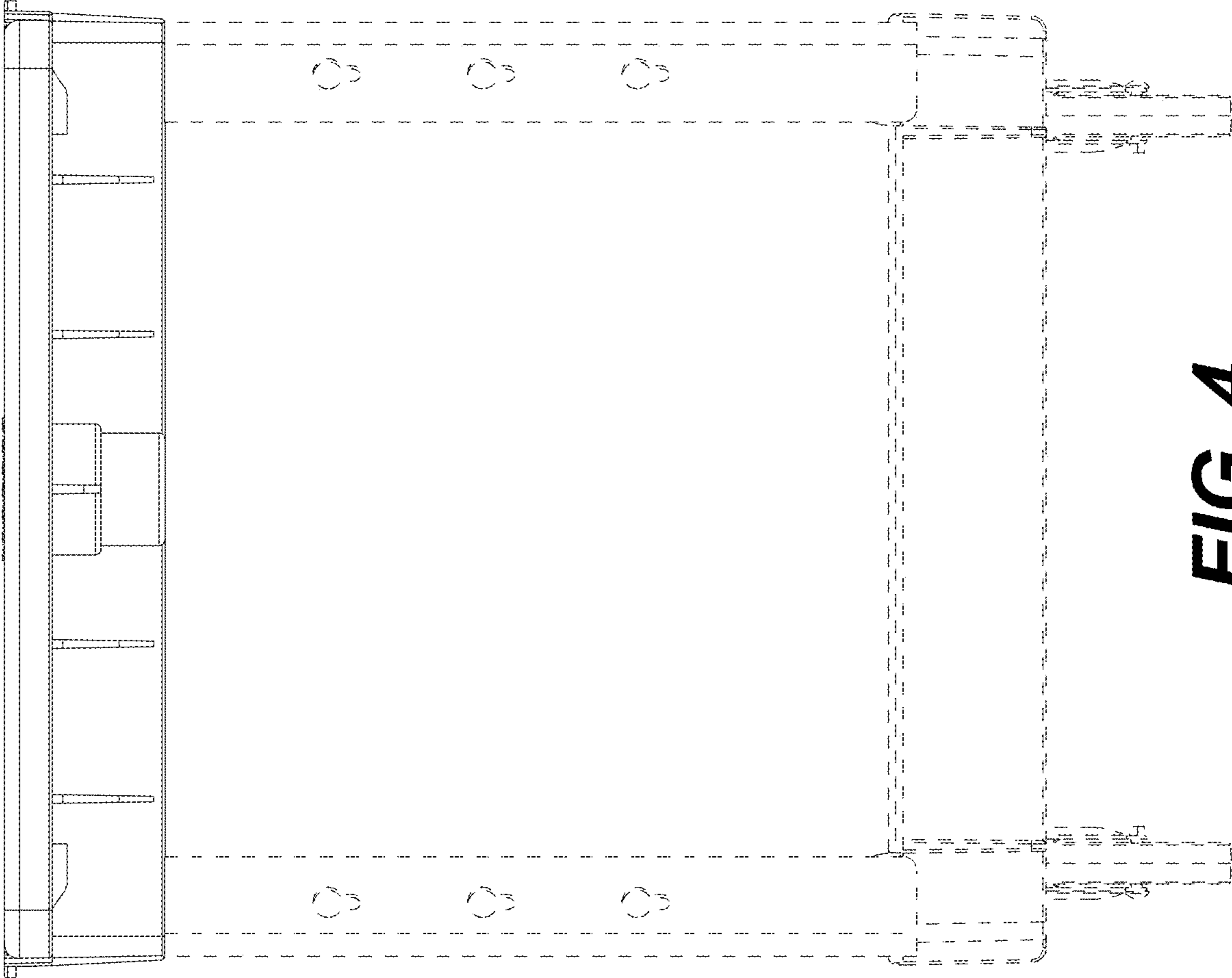


FIG. 4

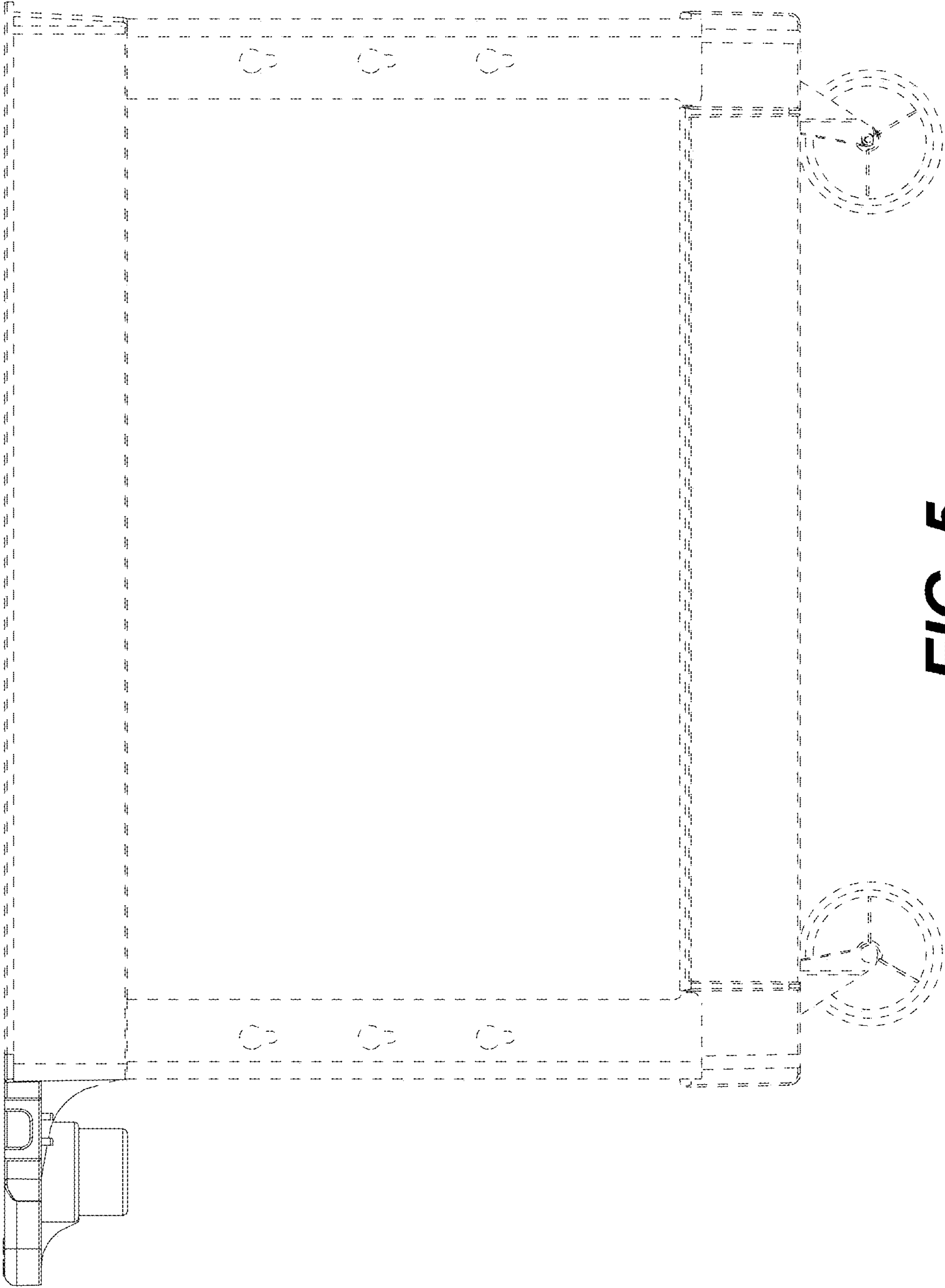


FIG. 5

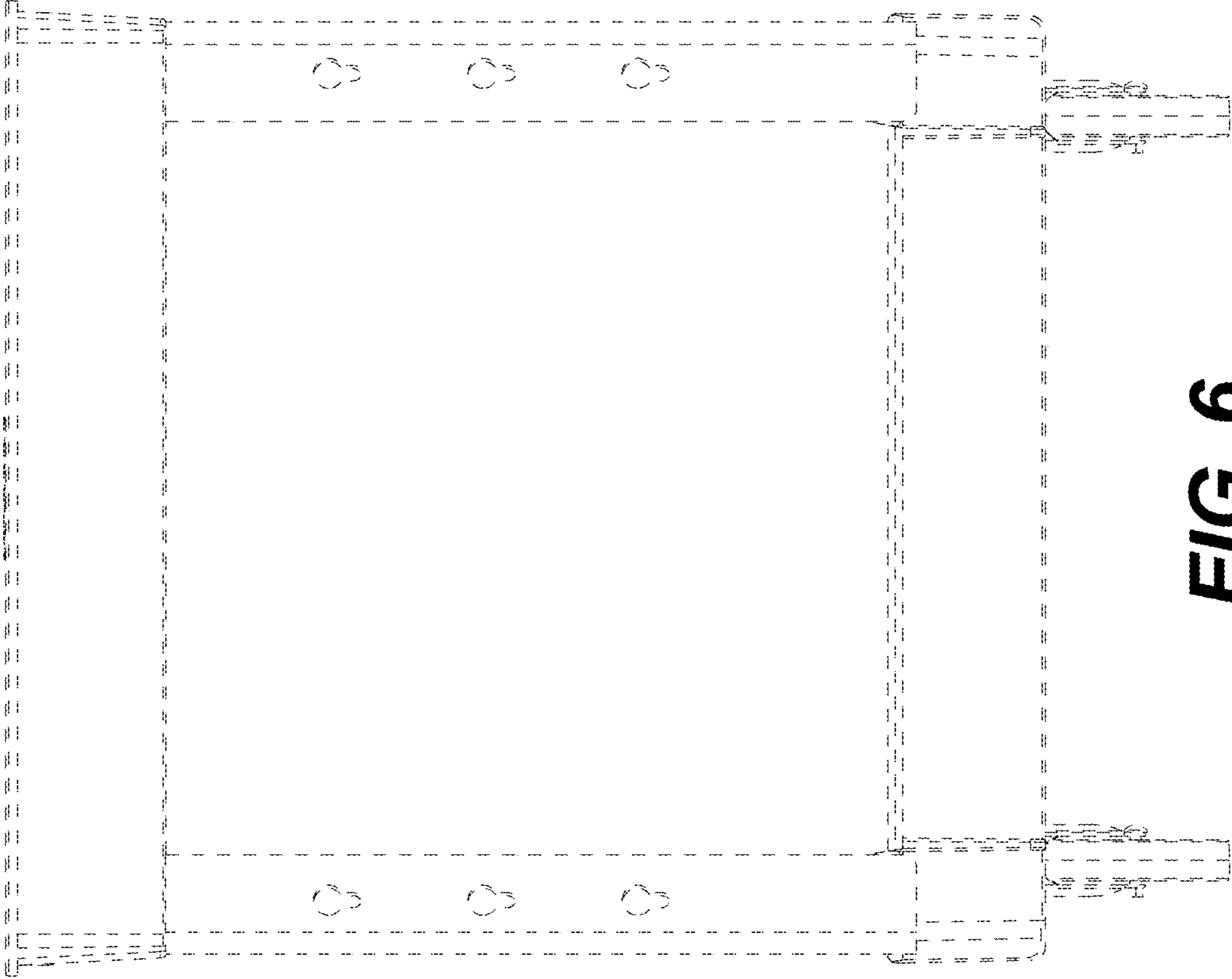


FIG. 6

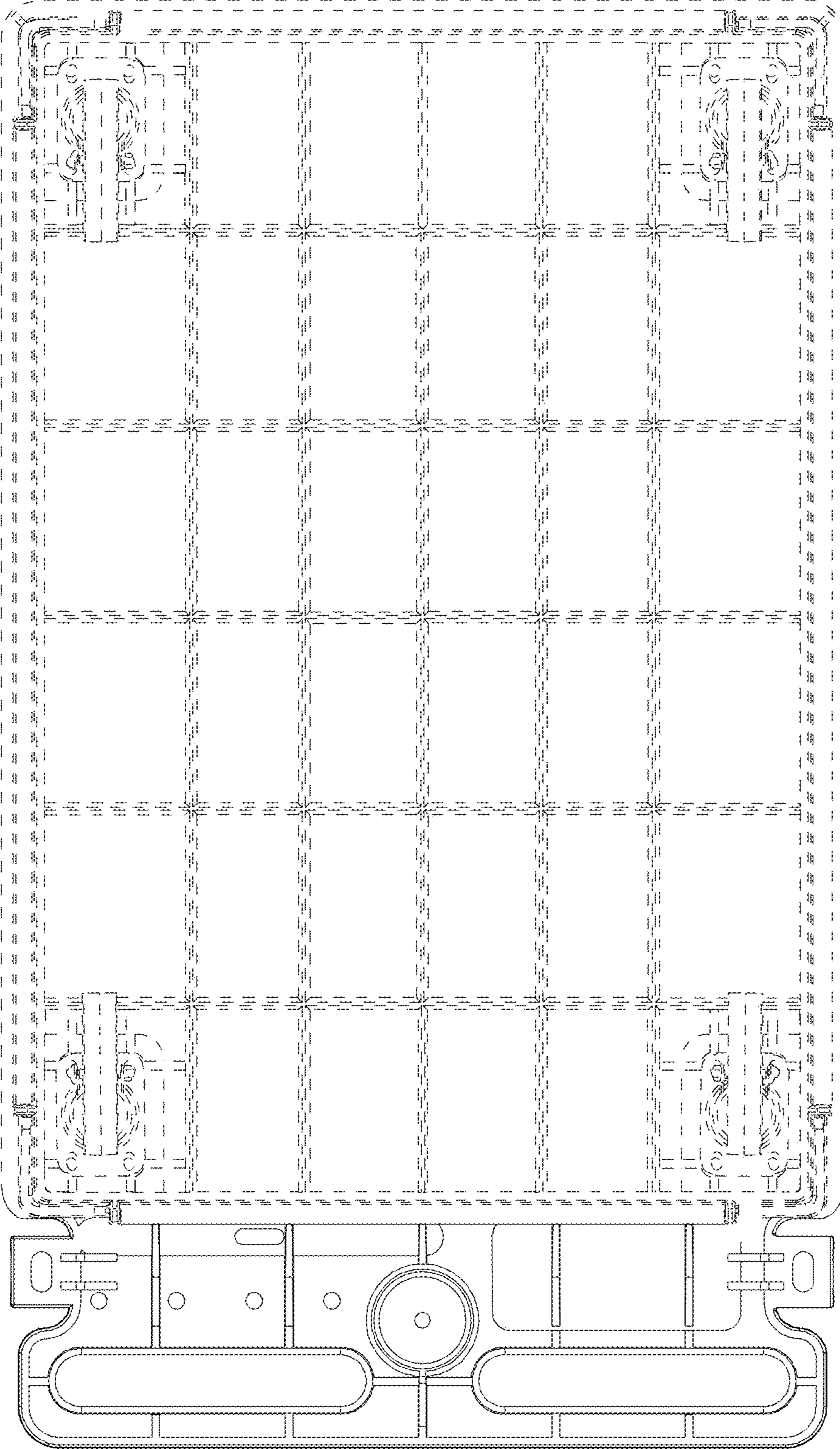


FIG. 7