



US00D923276S

(12) **United States Design Patent**  
**van Loon**

(10) **Patent No.:** **US D923,276 S**  
(45) **Date of Patent:** **\*\* Jun. 22, 2021**

(54) **TROLLEY**  
(71) Applicant: **Safran Cabin Netherlands N.V.**,  
Alkmaar (NL)  
(72) Inventor: **Laurentius Petrus Joseph van Loon**,  
Alkmaar (NL)

8,690,170 B2 4/2014 Belanger et al.  
8,840,122 B1 \* 9/2014 Cummins ..... B62B 3/10  
280/47.35  
D821,675 S \* 6/2018 Burns ..... D34/5  
10,005,482 B2 \* 6/2018 Childress ..... B62B 3/004  
D822,932 S \* 7/2018 Burns ..... D34/5  
(Continued)

(73) Assignee: **Safran Cabin Netherlands N.V.**,  
Alkmaar (NL)

**FOREIGN PATENT DOCUMENTS**

(\*\*) Term: **15 Years**

DE 19929135 12/2000  
GB 405167 2/1934

(21) Appl. No.: **29/665,660**

*Primary Examiner* — Cynthia Ramirez  
(74) *Attorney, Agent, or Firm* — Woodard, Emhardt,  
Henry, Reeves & Wagner, LLP

(22) Filed: **Oct. 5, 2018**

(30) **Foreign Application Priority Data**

(57) **CLAIM**

The ornamental design for a trolley, as shown and described.

Apr. 5, 2018 (EM) ..... 005204591

(51) **LOC (13) Cl.** ..... **12-02**

**DESCRIPTION**

(52) **U.S. Cl.**  
USPC ..... **D34/19**

(58) **Field of Classification Search**  
USPC ..... D34/12-27  
CPC ..... B62B 3/003; B62B 3/004; B62B 3/005;  
B62B 3/006; B62B 3/10; B62B 3/108;  
B62B 2204/06  
See application file for complete search history.

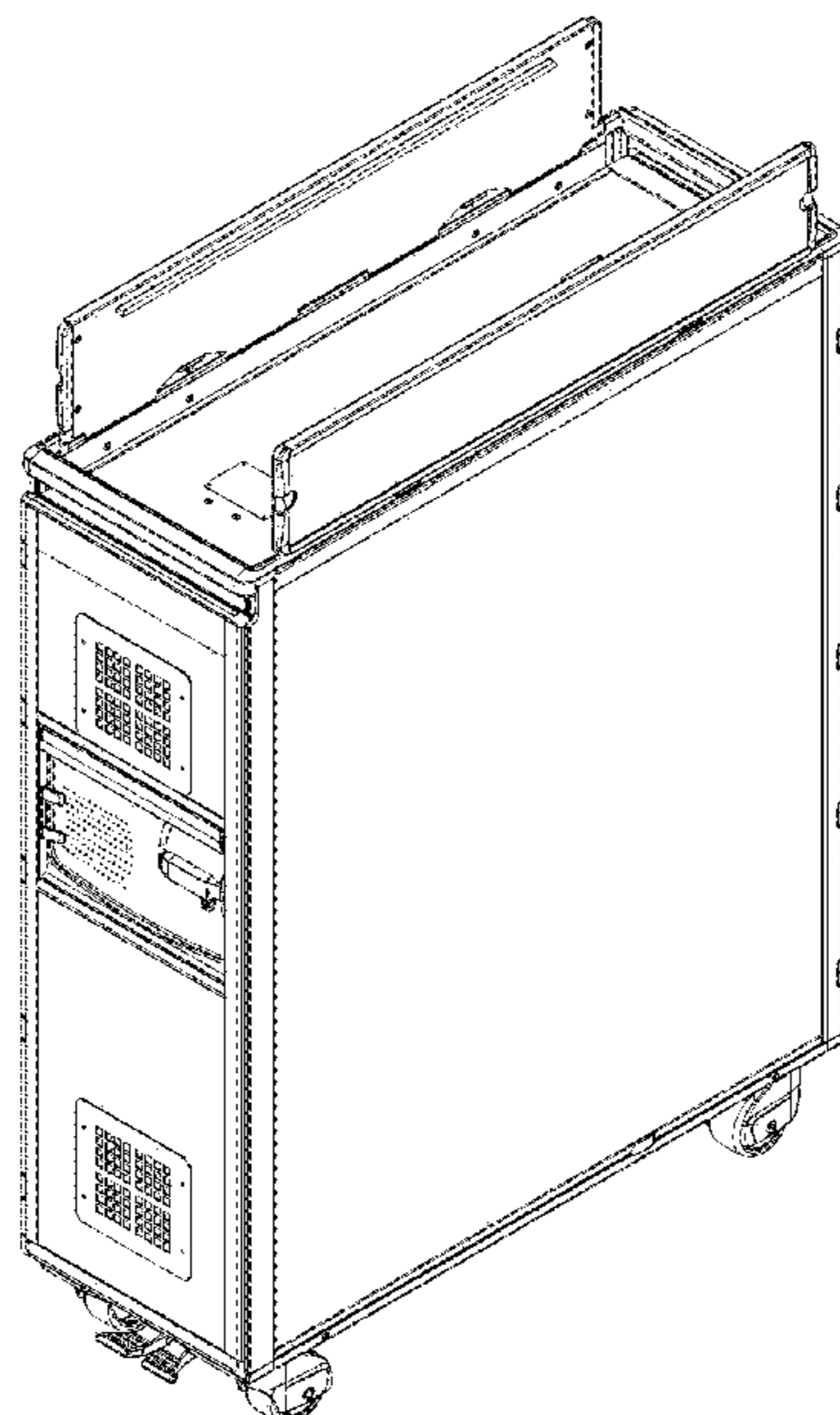
FIG. 1 is a perspective view of a trolley showing my new design with the top panels folded up;  
FIG. 2 is a perspective view thereof with the top panels folded down;  
FIG. 3 is a side view thereof with the top panels folded up;  
FIG. 4 is a front view thereof with the top panels folded up;  
FIG. 5 is a top view thereof with the top panels folded up;  
FIG. 6 is a close-up perspective view thereof with both top panels folded up;  
FIG. 7 is a close-up perspective view thereof with one top panel folded up and one top panel folded down;  
FIG. 8 is a close-up perspective view thereof with both top panels folded down;  
FIG. 9 is a close-up perspective view thereof with both top panels folded up; and,  
FIG. 10 is a close-up perspective view thereof with both top panels folded up.

(56) **References Cited**

**U.S. PATENT DOCUMENTS**

D202,493 S \* 10/1965 Gribbens ..... D34/20  
3,877,744 A 4/1975 Miller  
D238,300 S \* 12/1975 Klemms ..... D7/347  
6,034,355 A \* 3/2000 Naderi ..... A47J 27/004  
219/386  
6,234,498 B1 \* 5/2001 Saku ..... A47B 31/00  
280/47.34  
D647,272 S \* 10/2011 Boivin ..... D34/19

**1 Claim, 10 Drawing Sheets**



(56)

**References Cited**

U.S. PATENT DOCUMENTS

2005/0193760 A1\* 9/2005 Moran ..... F25D 23/063  
62/371  
2005/0218615 A1\* 10/2005 Hu ..... B62B 3/006  
280/47.35  
2005/0285360 A1\* 12/2005 Helin ..... A47B 31/00  
280/47.34  
2006/0055290 A1\* 3/2006 Schalla ..... A47B 31/06  
312/223.1  
2008/0116773 A1\* 5/2008 Van Loon ..... B64D 11/04  
312/198  
2008/0216368 A1 9/2008 Delamere  
2010/0090429 A1\* 4/2010 Hartmann ..... B64D 11/0007  
280/47.34  
2010/0140890 A1\* 6/2010 Boivin ..... B62B 3/004  
280/47.34  
2010/0170287 A1\* 7/2010 Boss ..... B62B 3/006  
62/441  
2011/0025006 A1\* 2/2011 Knoppers ..... A47B 31/00  
280/47.34  
2015/0251758 A1\* 9/2015 Vandyke ..... F25D 3/125  
280/47.35  
2017/0137048 A1\* 5/2017 Childress ..... B65F 3/005  
2019/0062047 A1\* 2/2019 Spille ..... B65F 1/1473

\* cited by examiner

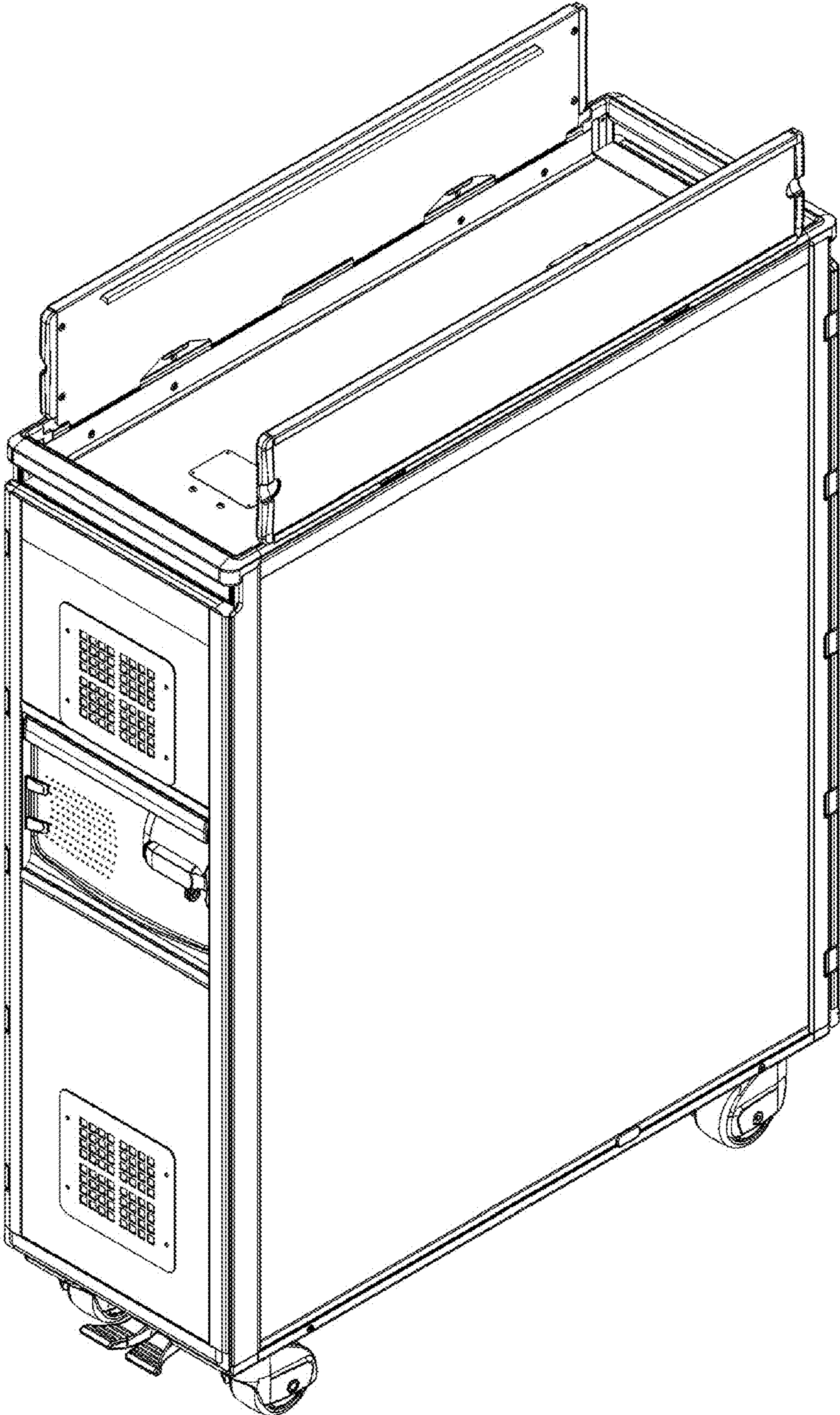


Fig. 1



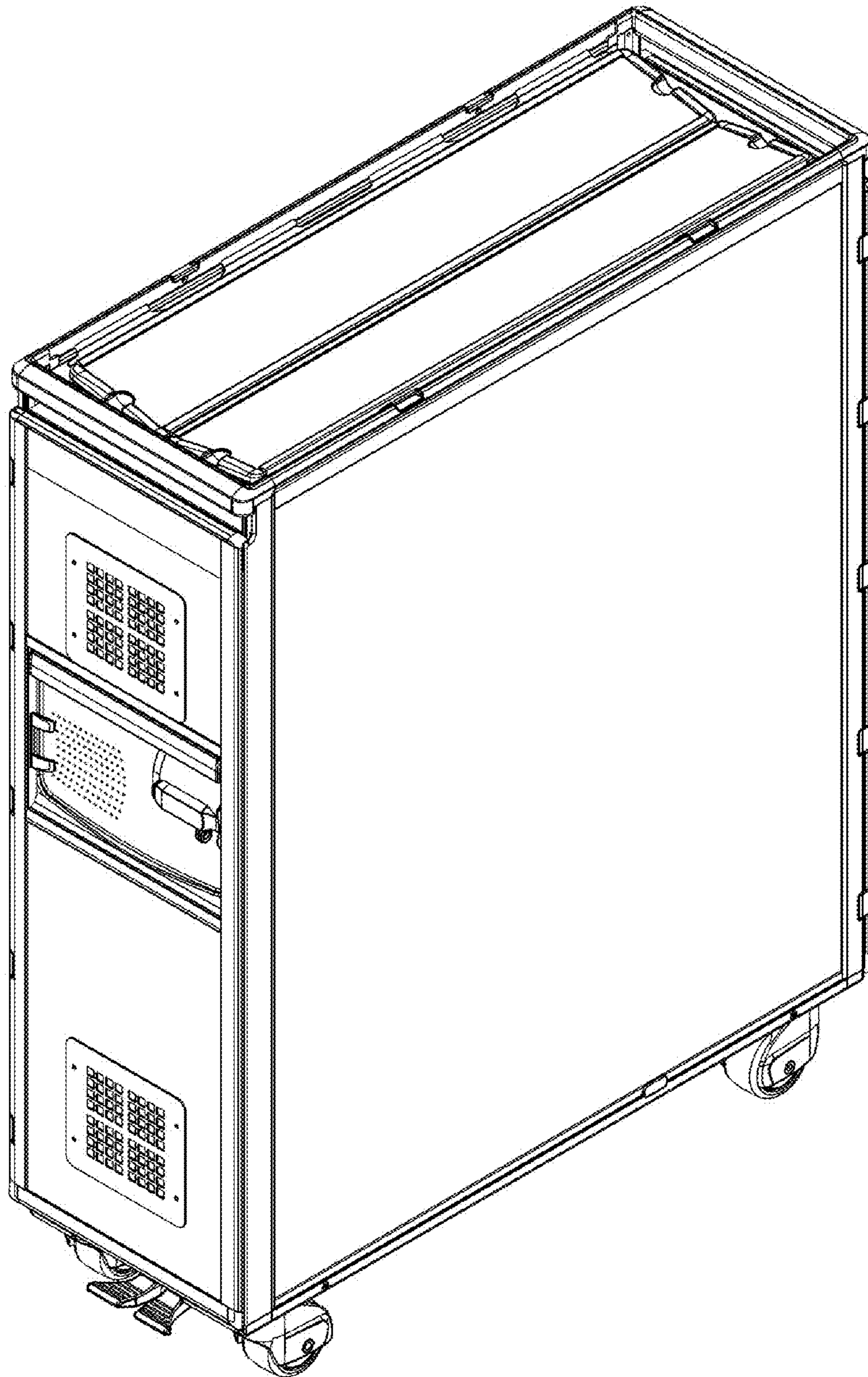


Fig. 2

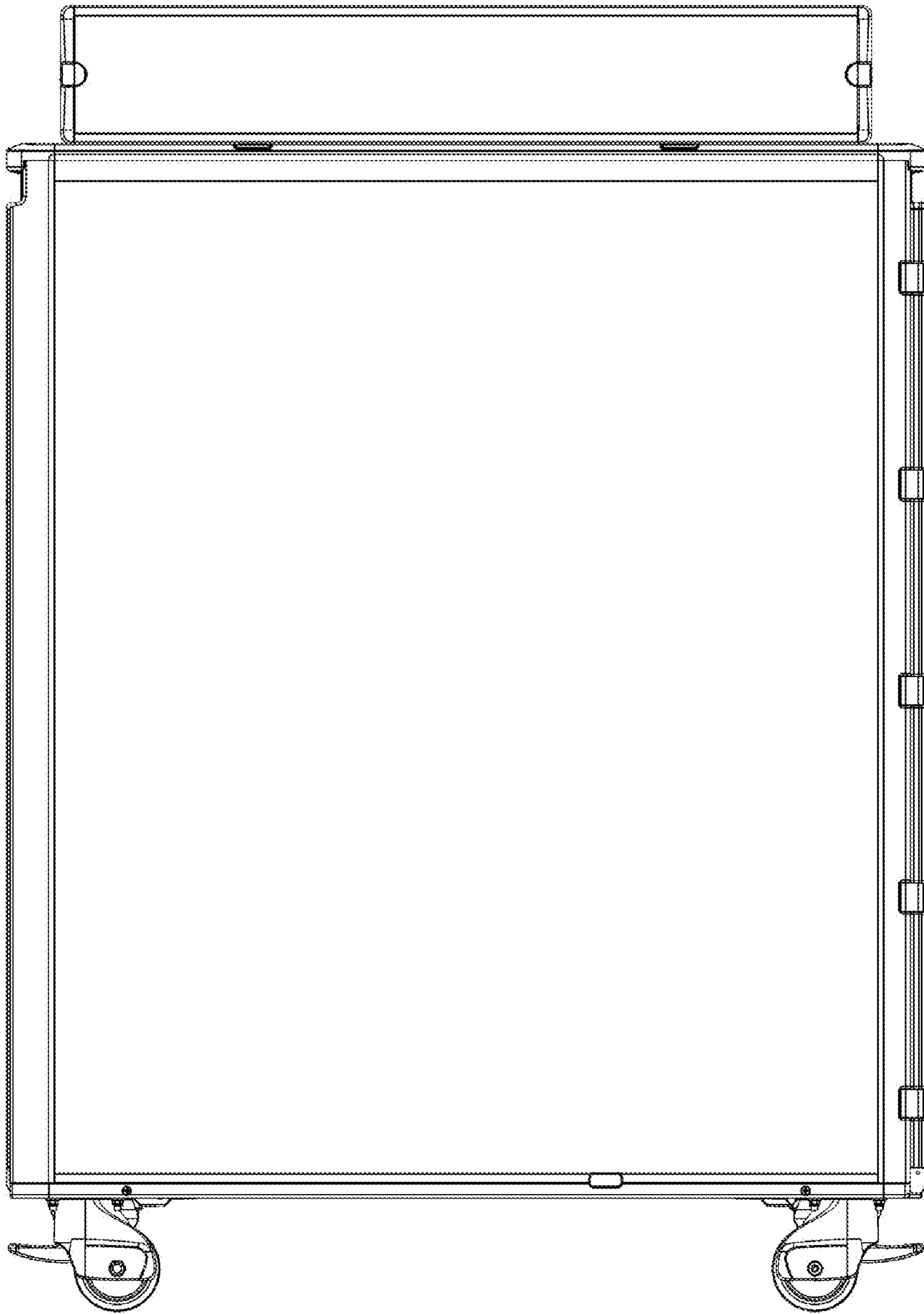


Fig. 3

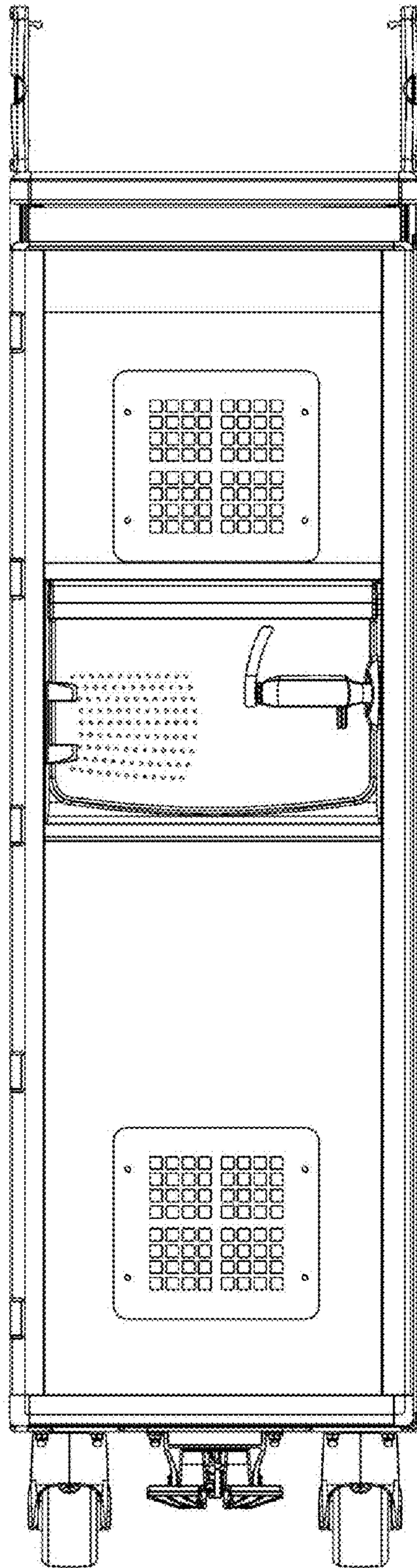


Fig. 4

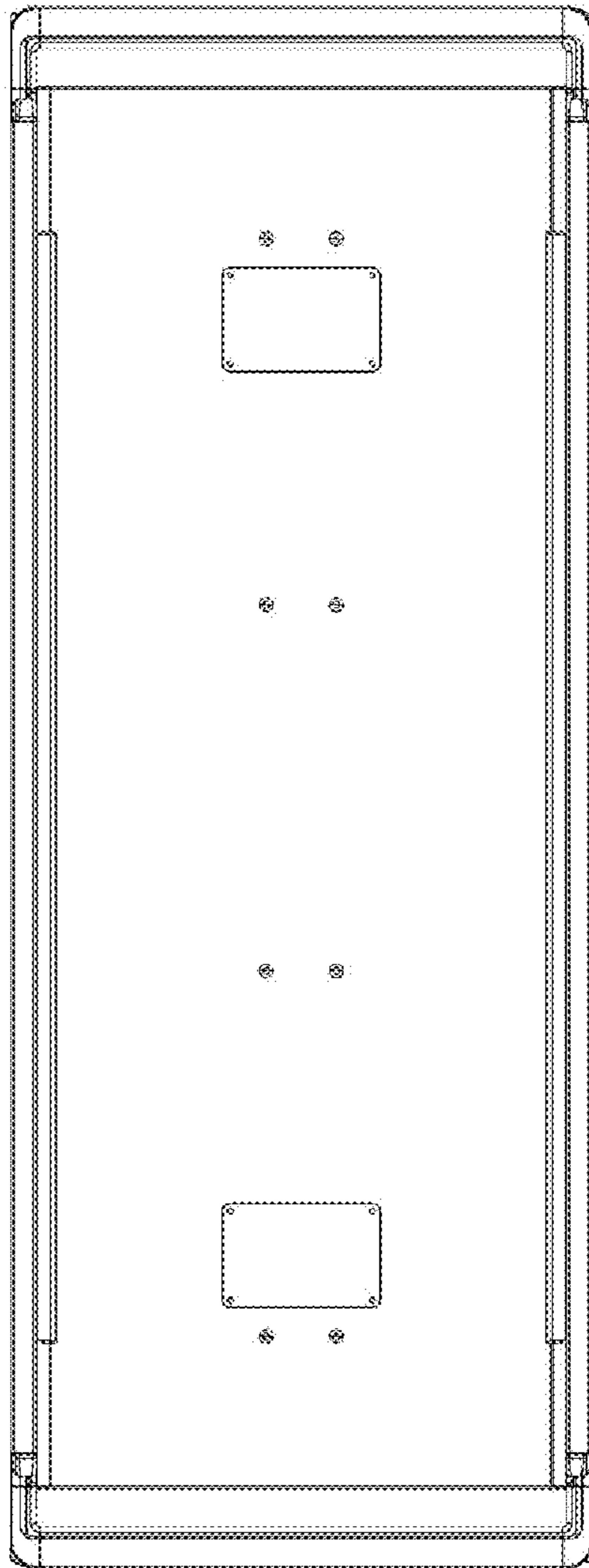


Fig. 5



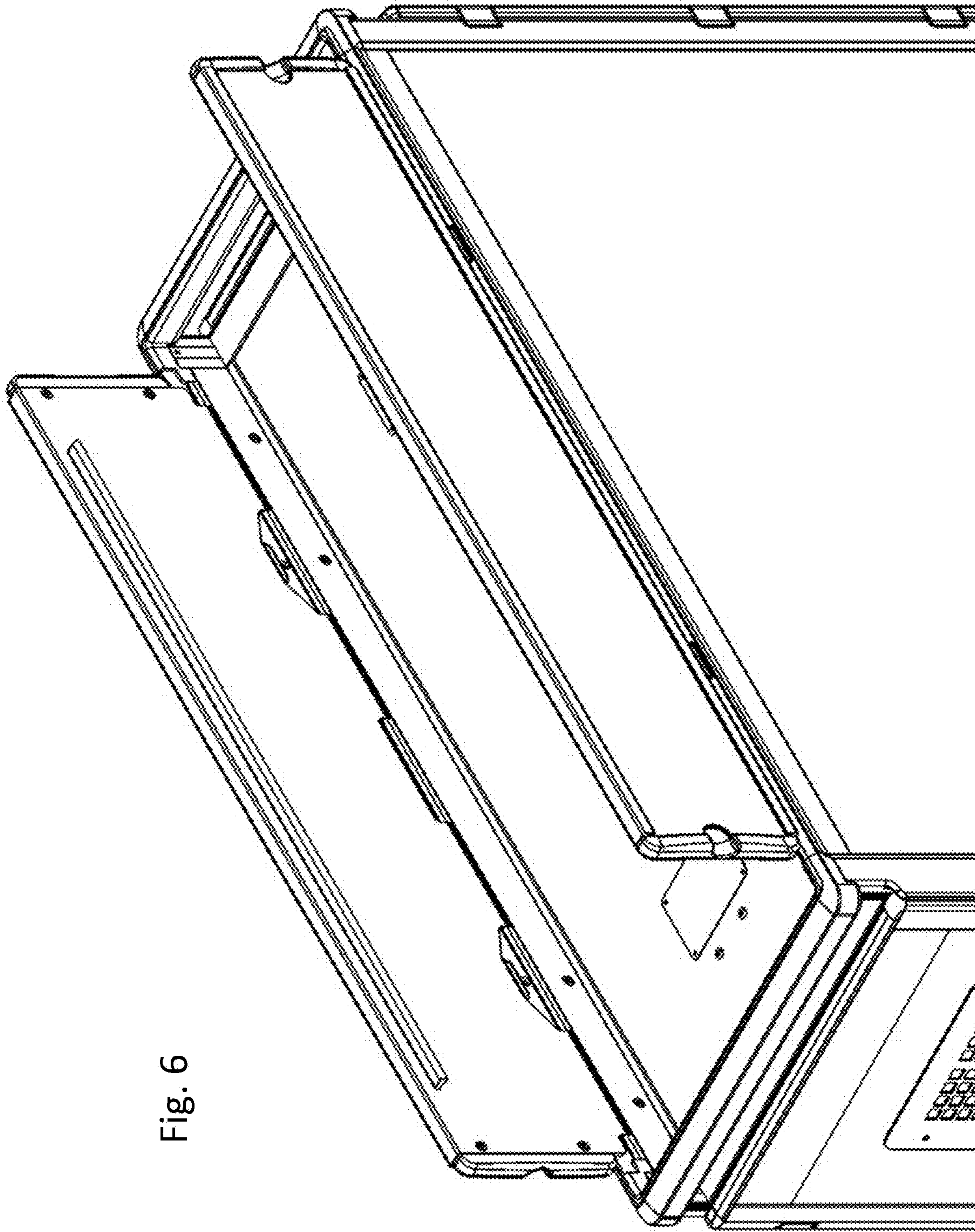


Fig. 6



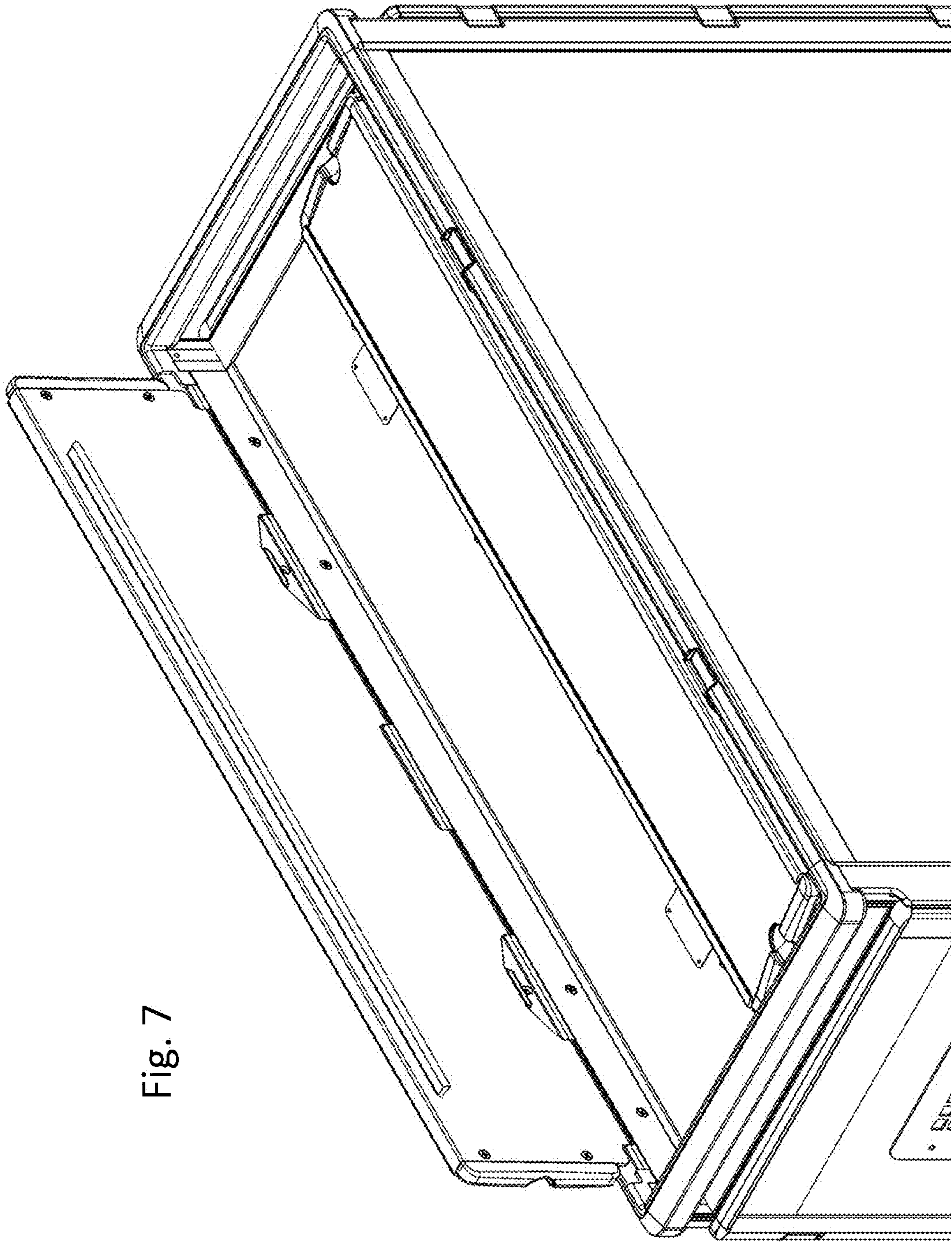


Fig. 7

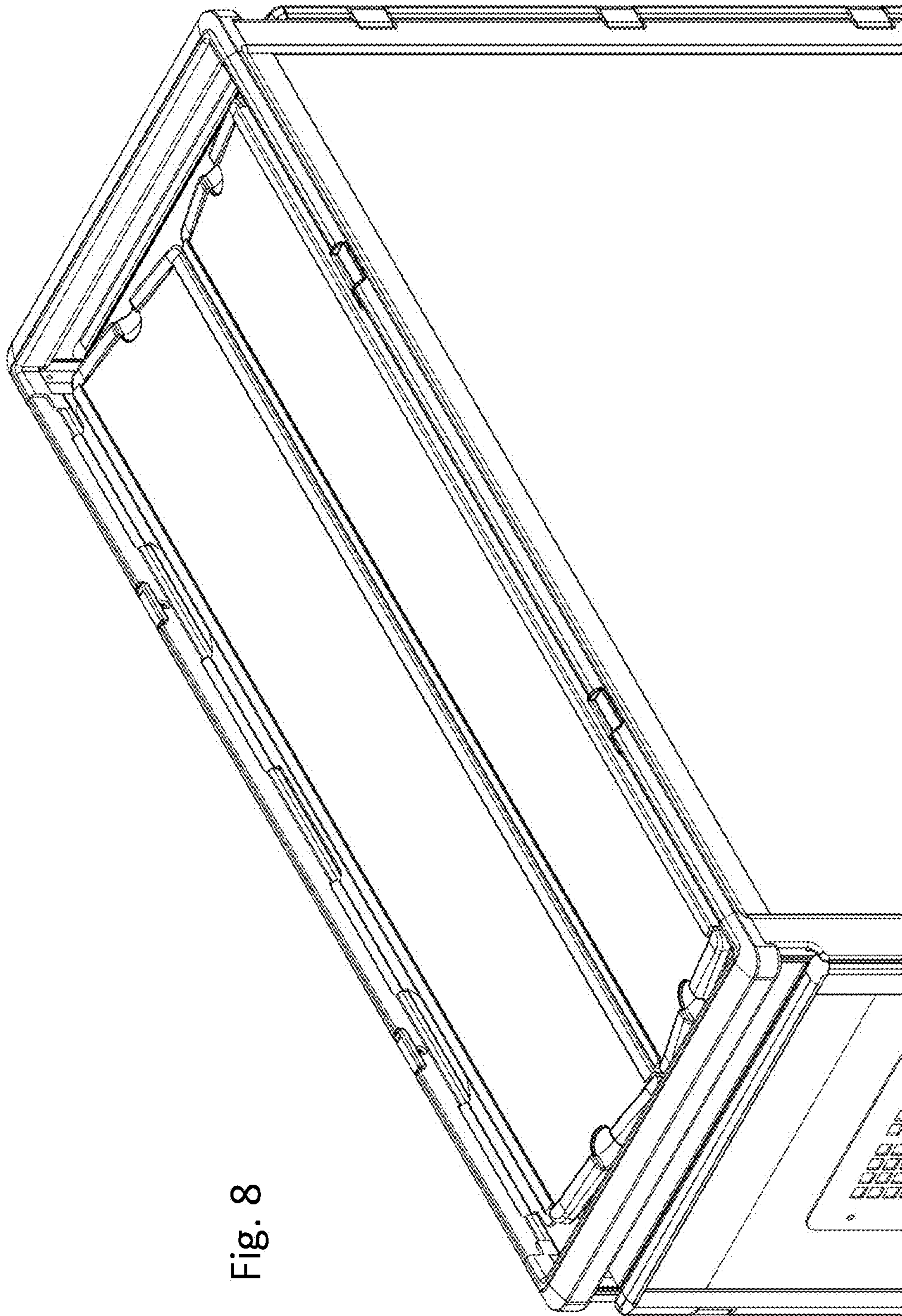


Fig. 8



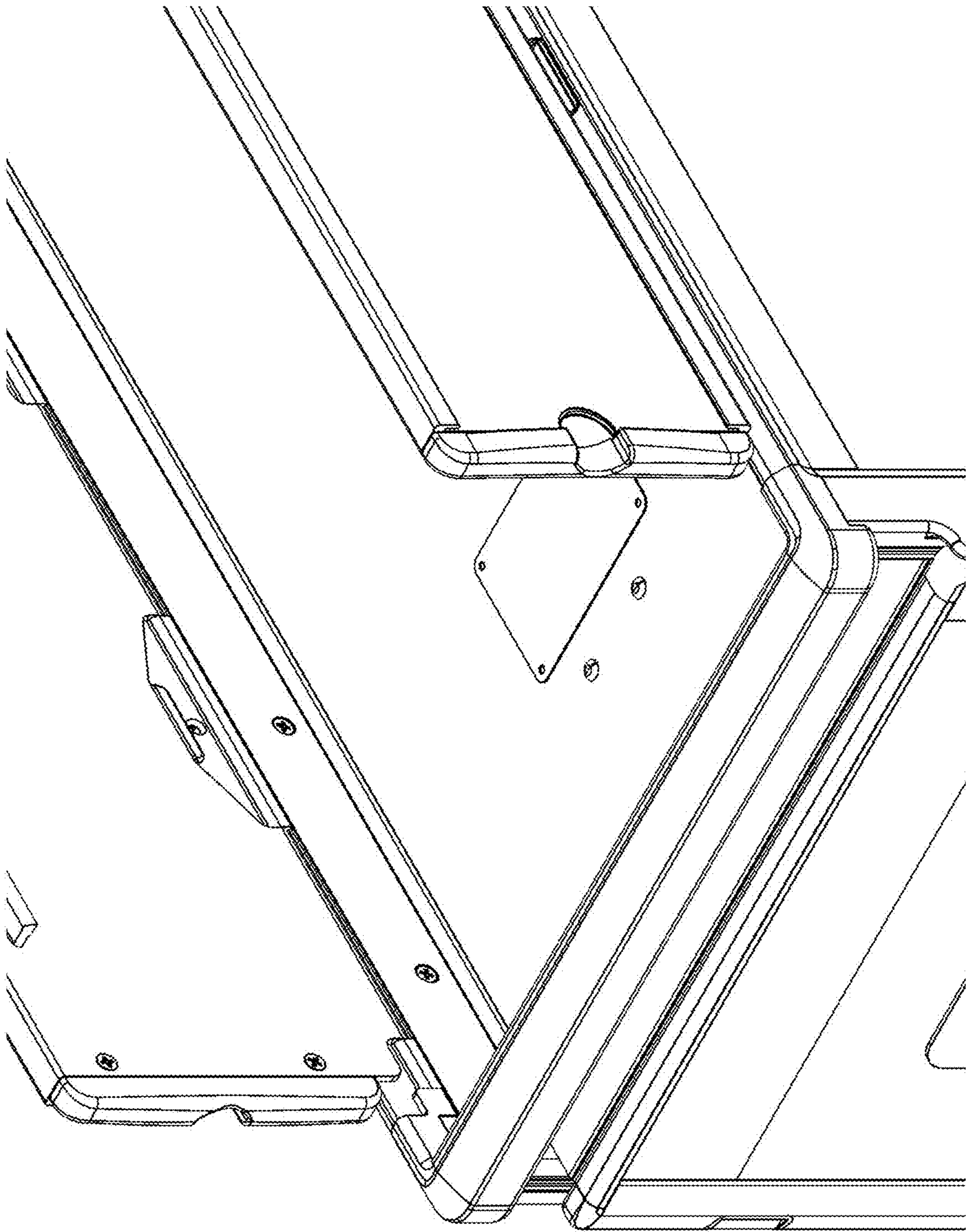


Fig. 9



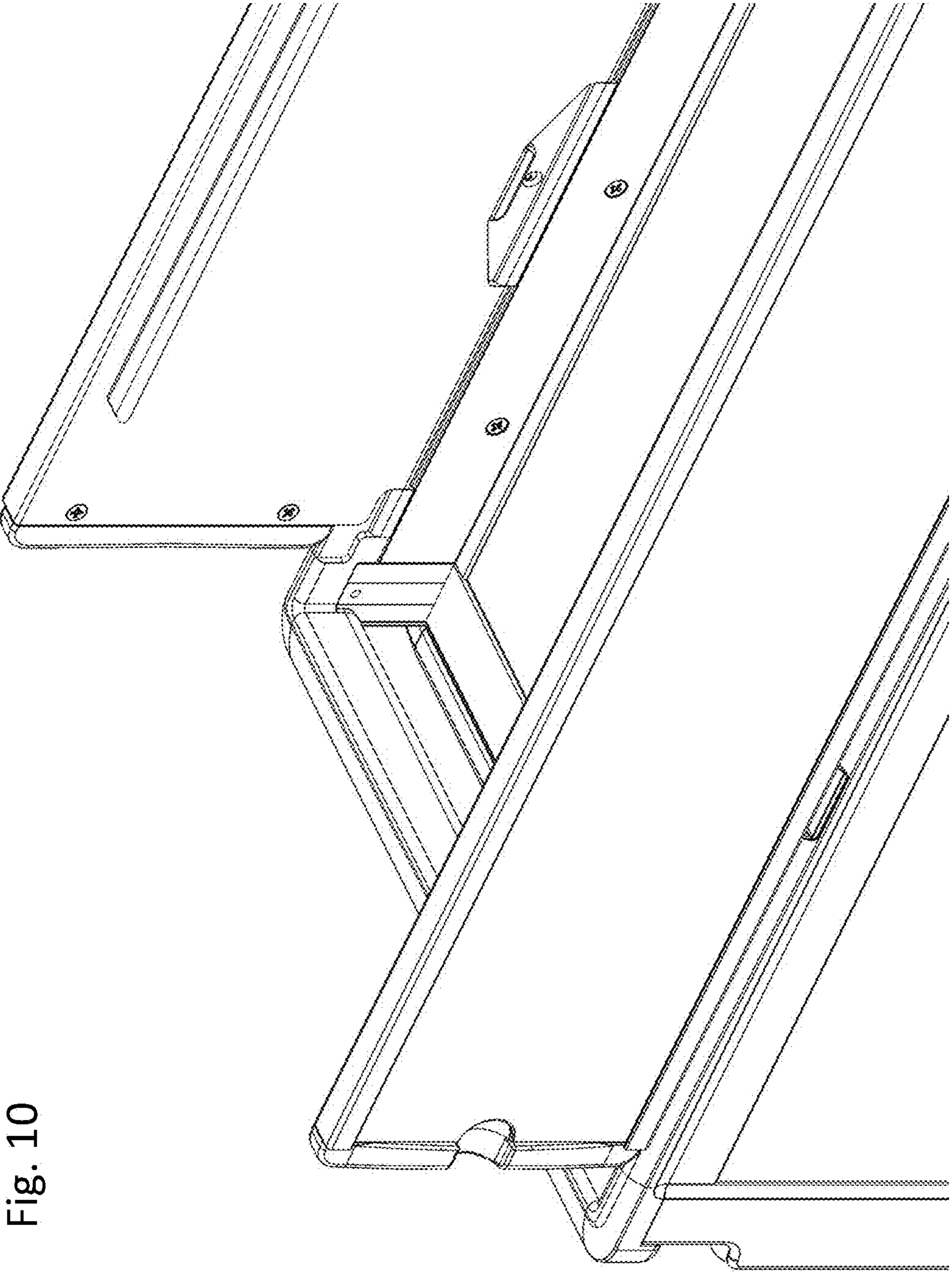


Fig. 10