



US00D923274S

(12) **United States Design Patent**
Cui

(10) **Patent No.:** **US D923,274 S**
(45) **Date of Patent:** **** Jun. 22, 2021**

- (54) **LAUNDRY RACK**
- (71) Applicant: **ZHEJIANG HYNWIN**
E-COMMERCE CO., LTD., Taizhou
(CN)
- (72) Inventor: **Mengdong Cui**, Taizhou (CN)
- (**) Term: **15 Years**
- (21) Appl. No.: **29/753,114**
- (22) Filed: **Sep. 30, 2020**
- (51) **LOC (13) Cl.** **07-05**
- (52) **U.S. Cl.**
USPC **D32/55; D32/58**
- (58) **Field of Classification Search**
USPC D32/585, 276, 3; D6/510, 525;
D30/133; 211/41.5, 41.4, 41.3, 41.8;
312/311, 333, 334.4; D7/354, 629
CPC .. A47L 15/505; A47L 15/503; A47L 15/0013;
A47L 19/02; A47L 19/04; A47J 47/20
See application file for complete search history.

- D808,101 S * 1/2018 Greenspon D32/58
- D825,128 S * 8/2018 Nolen, Sr. D32/58
- D827,239 S * 8/2018 Xie D32/58
- D827,965 S * 9/2018 Barre D32/58
- D844,924 S * 4/2019 Schauerhuber D32/58
- D896,458 S * 9/2020 Han D32/55
- 2013/0228540 A1* 9/2013 Oh D06F 57/10
211/85.3
- 2018/0160801 A1* 6/2018 Felsenthal A47B 47/00

* cited by examiner

Primary Examiner — Austin Murphy

(57) **CLAIM**

The ornamental design for a laundry rack, as shown and described.

DESCRIPTION

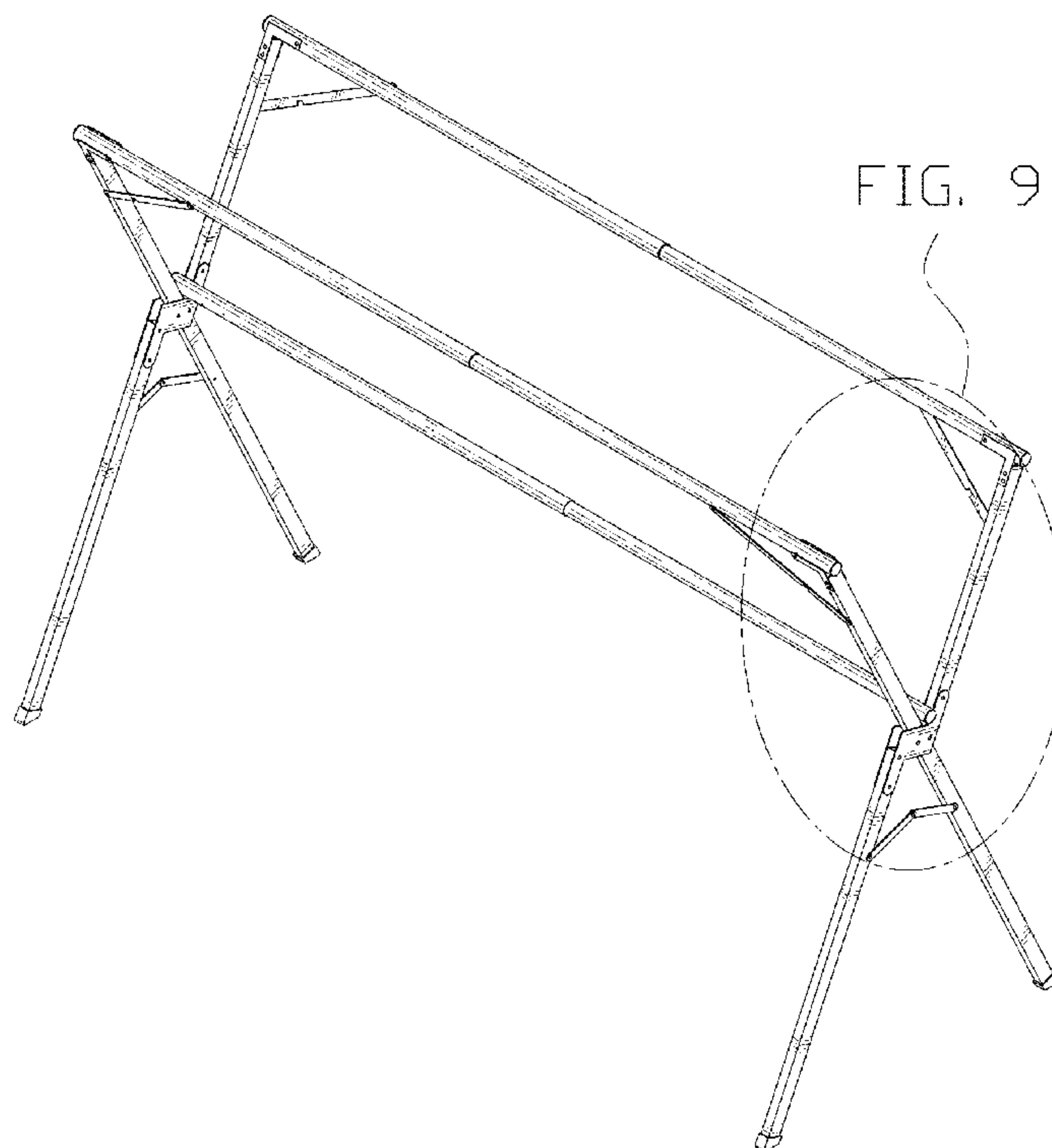
FIG. 1 is a front and top perspective view of a laundry rack, showing my new design;
 FIG. 2 is a rear and bottom perspective view thereof;
 FIG. 3 is a front elevational view thereof;
 FIG. 4 is a rear elevational view thereof;
 FIG. 5 is a left side elevational view thereof;
 FIG. 6 is a right side elevational view thereof;
 FIG. 7 is a top plan view thereof;
 FIG. 8 is a bottom plan view thereof; and,
 FIG. 9 is an enlarged view of a portion labeled, 'FIG. 9' in FIG. 1.
 The dash dot dash lines in FIGS. 1 and 9 are for the purpose of depicting the cut line of the enlarged view and form no part of the claim.

1 Claim, 9 Drawing Sheets

(56) **References Cited**

U.S. PATENT DOCUMENTS

- 263,945 A * 9/1882 Nelly D06F 57/08
211/200
- D322,698 S * 12/1991 Cassel D32/58
- 5,213,221 A * 5/1993 Raye, Sr. D06F 57/08
211/181.1
- D546,013 S * 7/2007 Pong D32/58
- D650,542 S * 12/2011 Kontorovich D32/58
- D737,532 S * 8/2015 Oh D32/58
- D801,613 S * 10/2017 Felsenthal D32/58



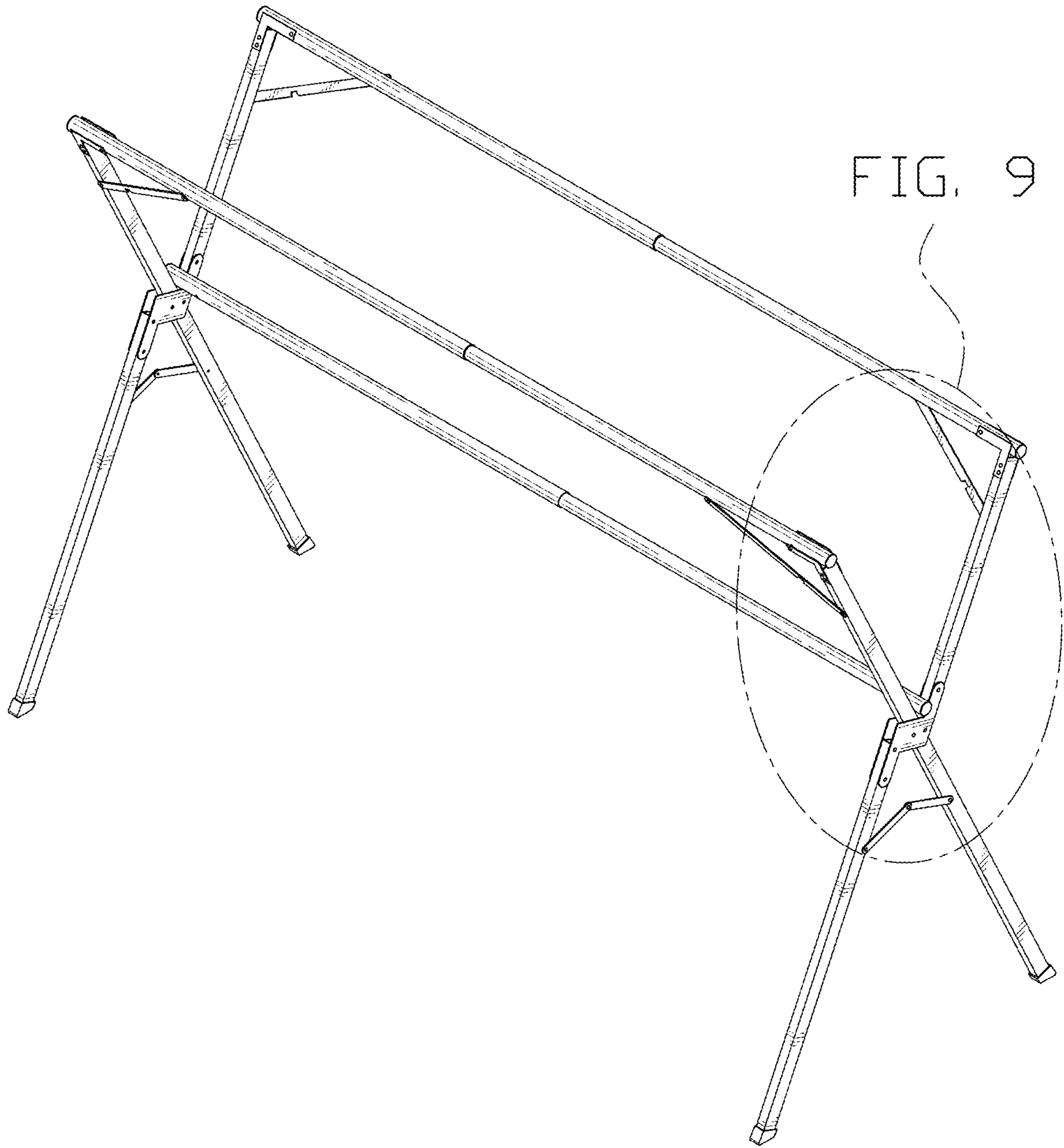


FIG. 1

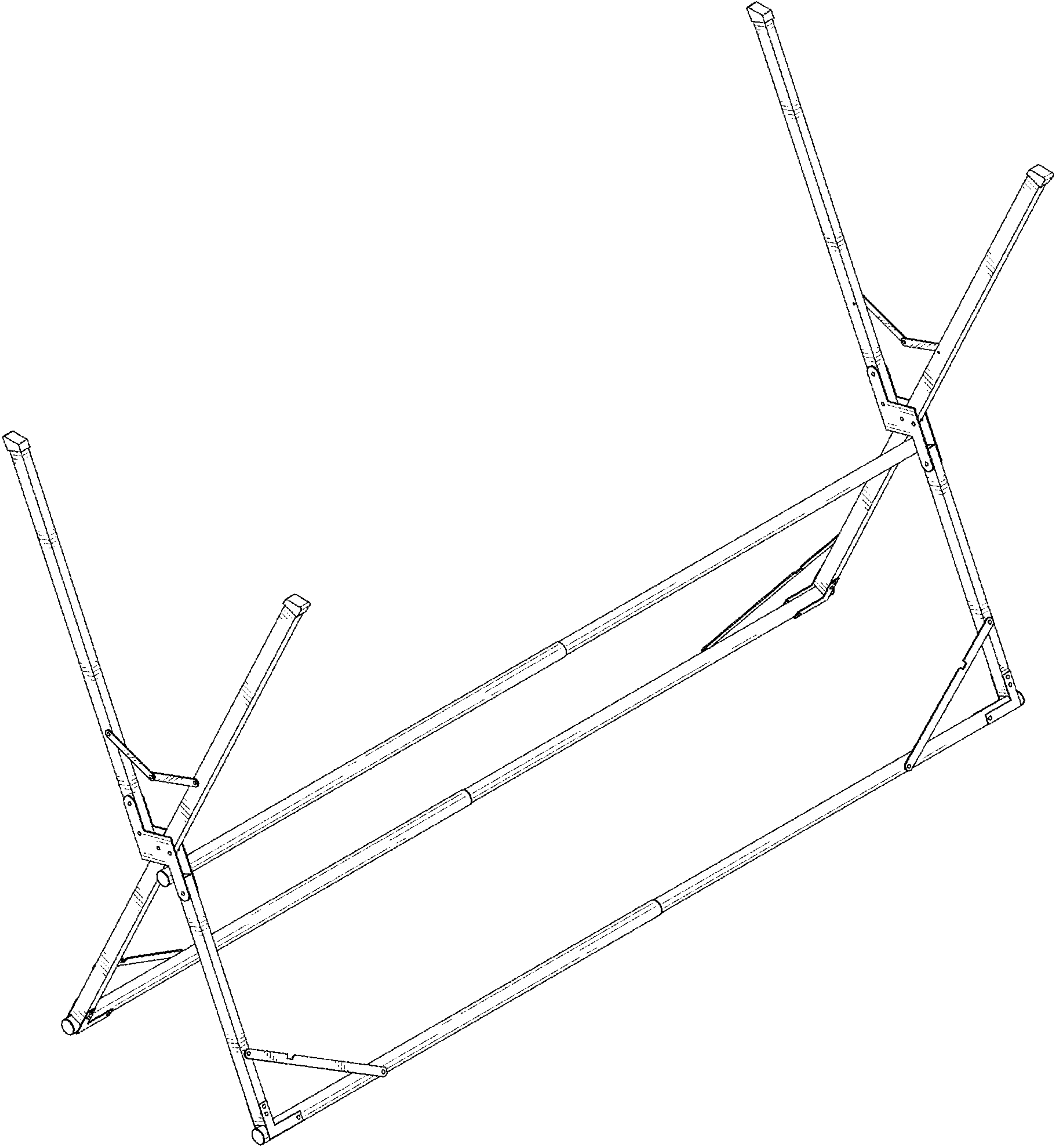


FIG. 2



FIG. 3

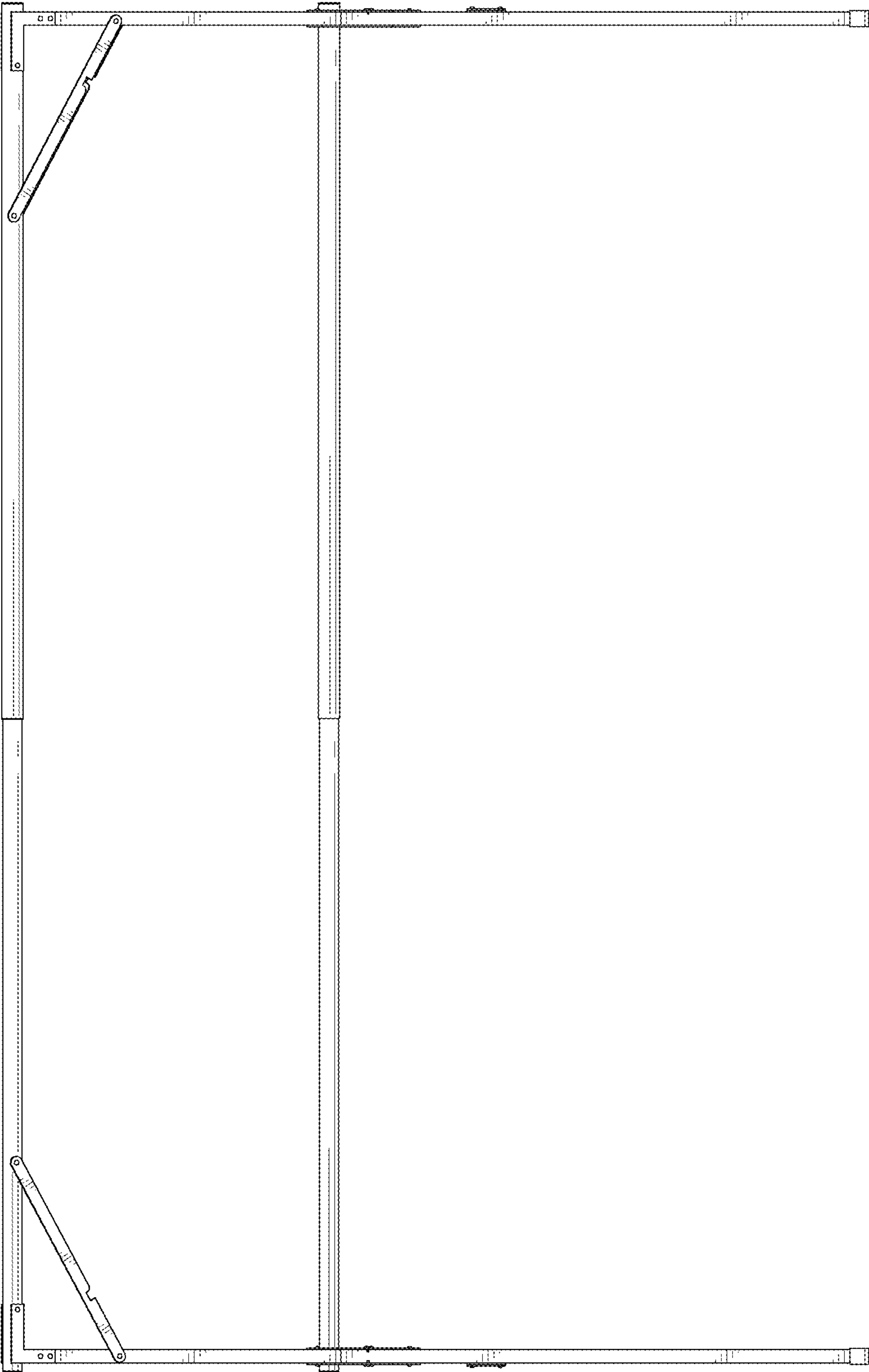


FIG. 4

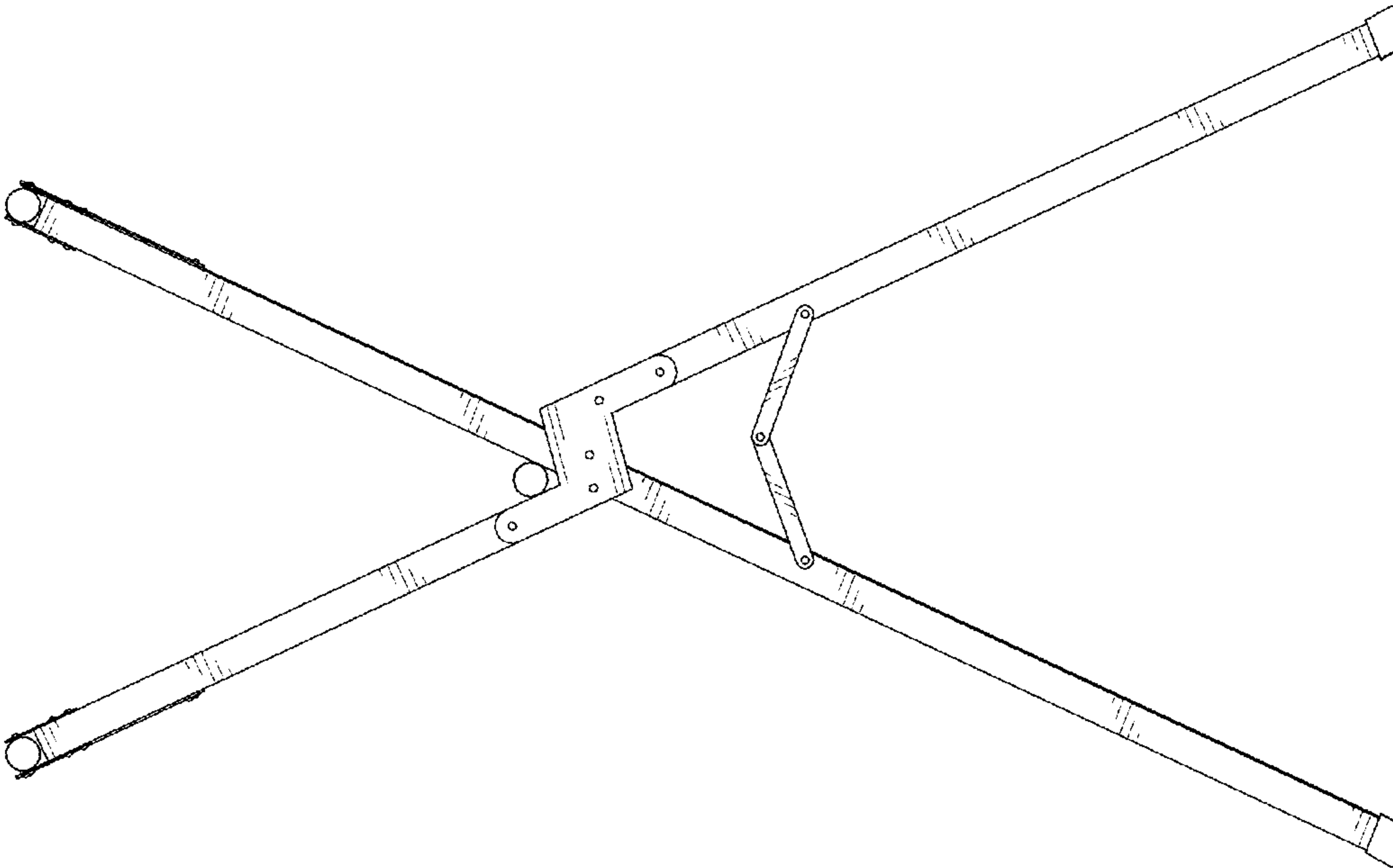


FIG. 5

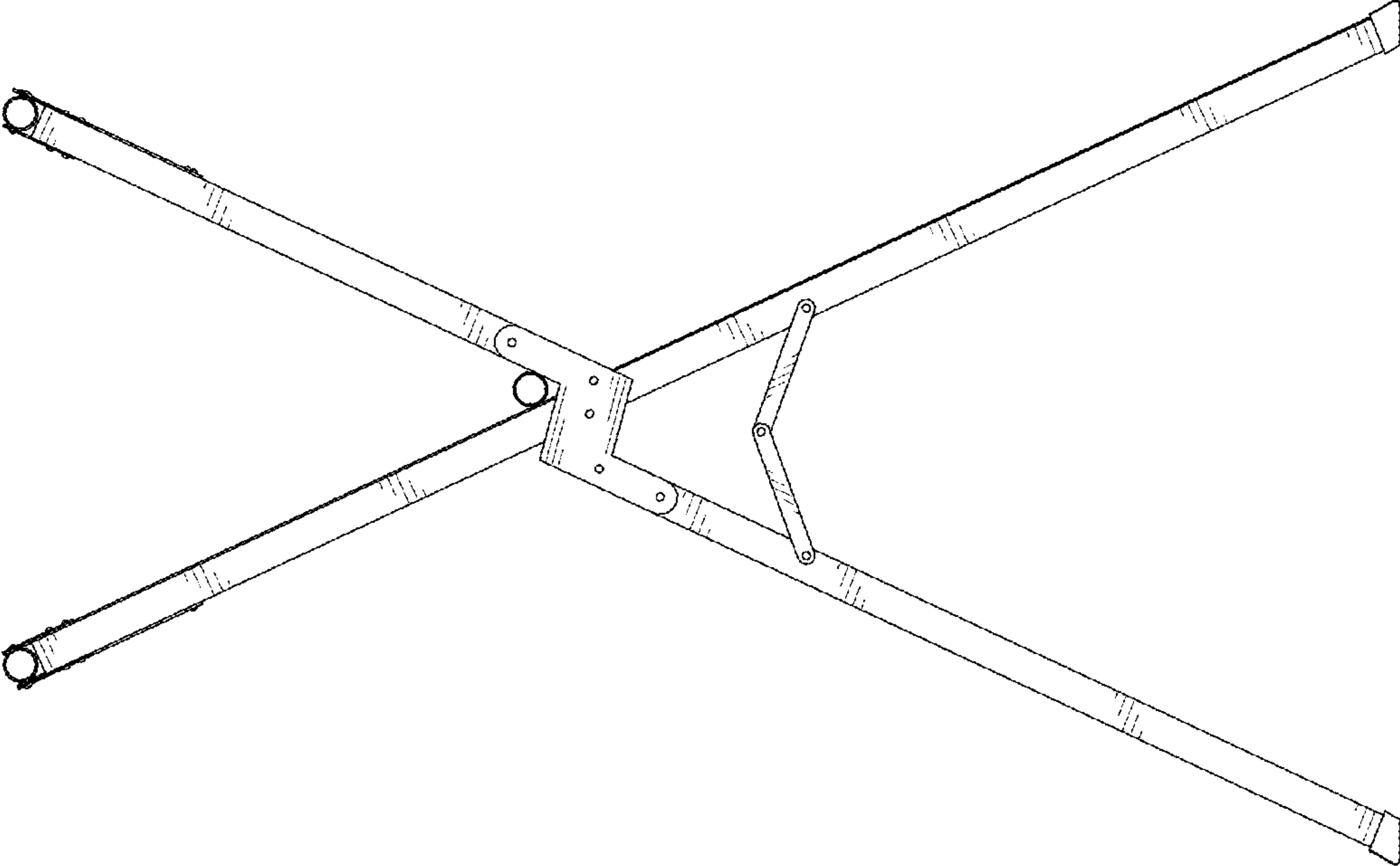


FIG. 6

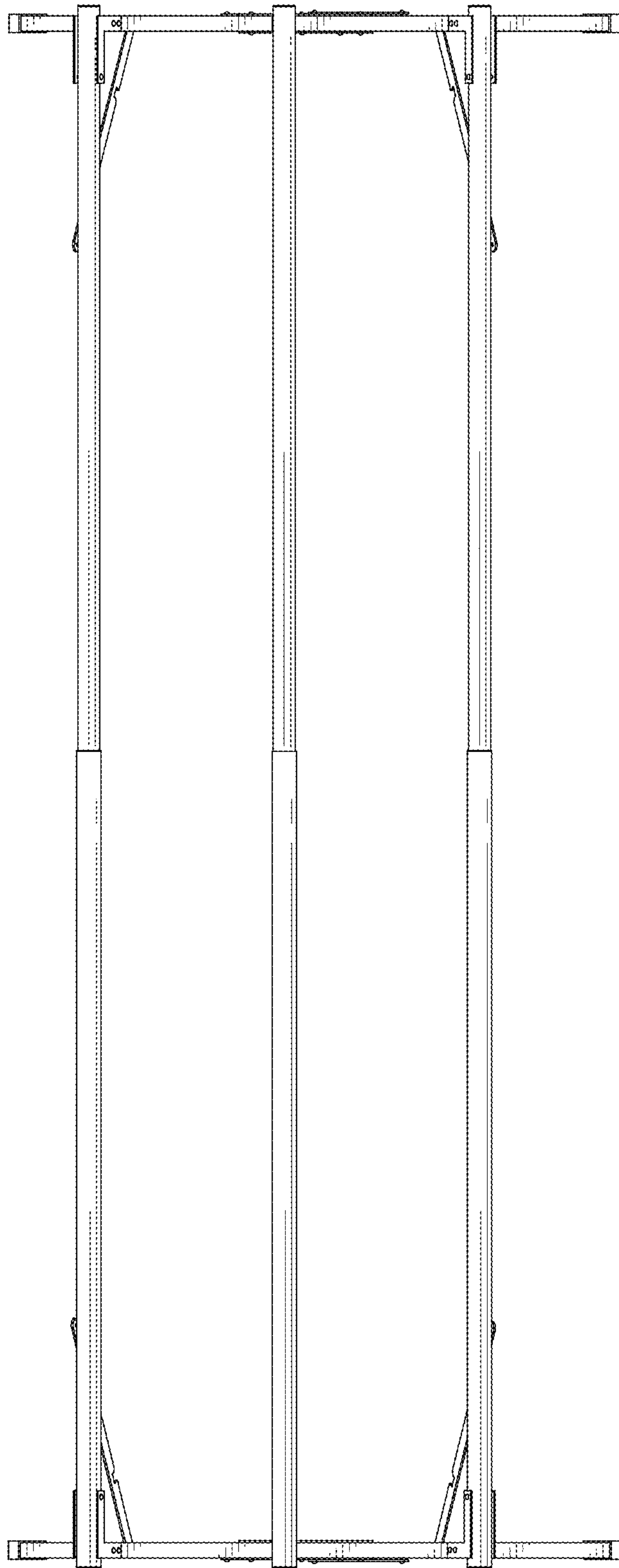


FIG. 7

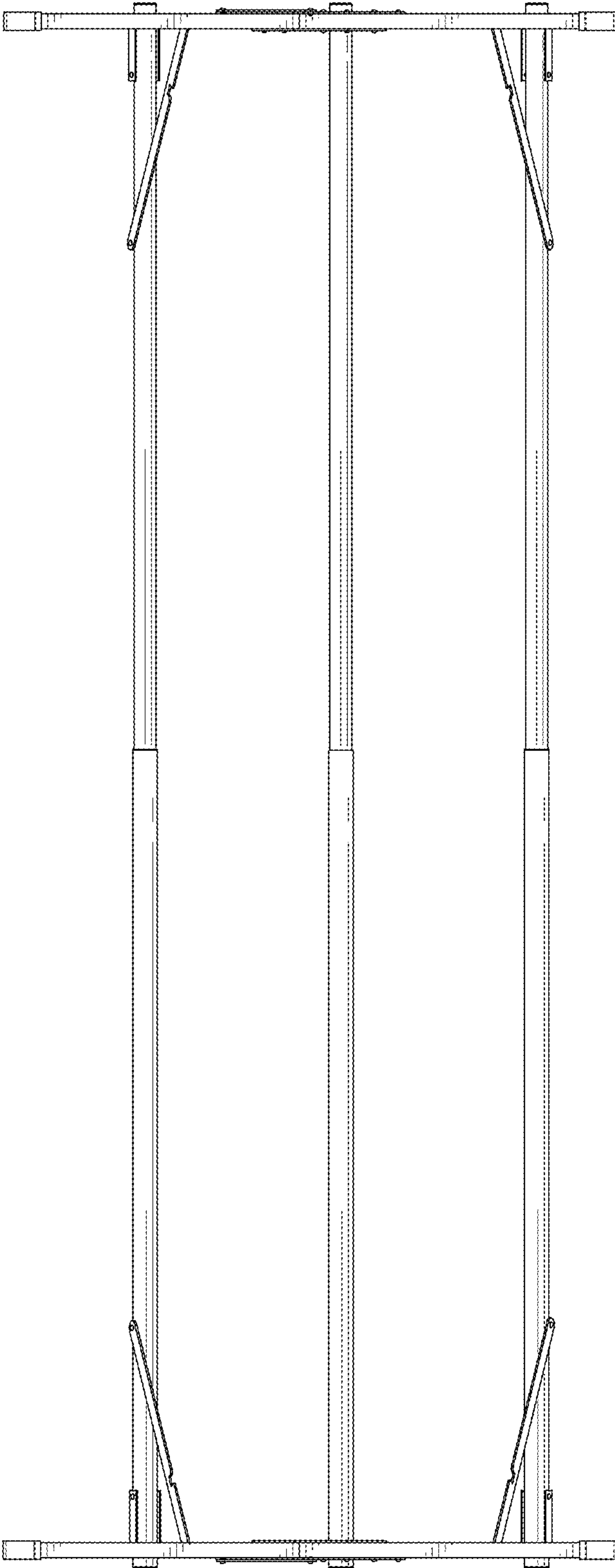


FIG. 8

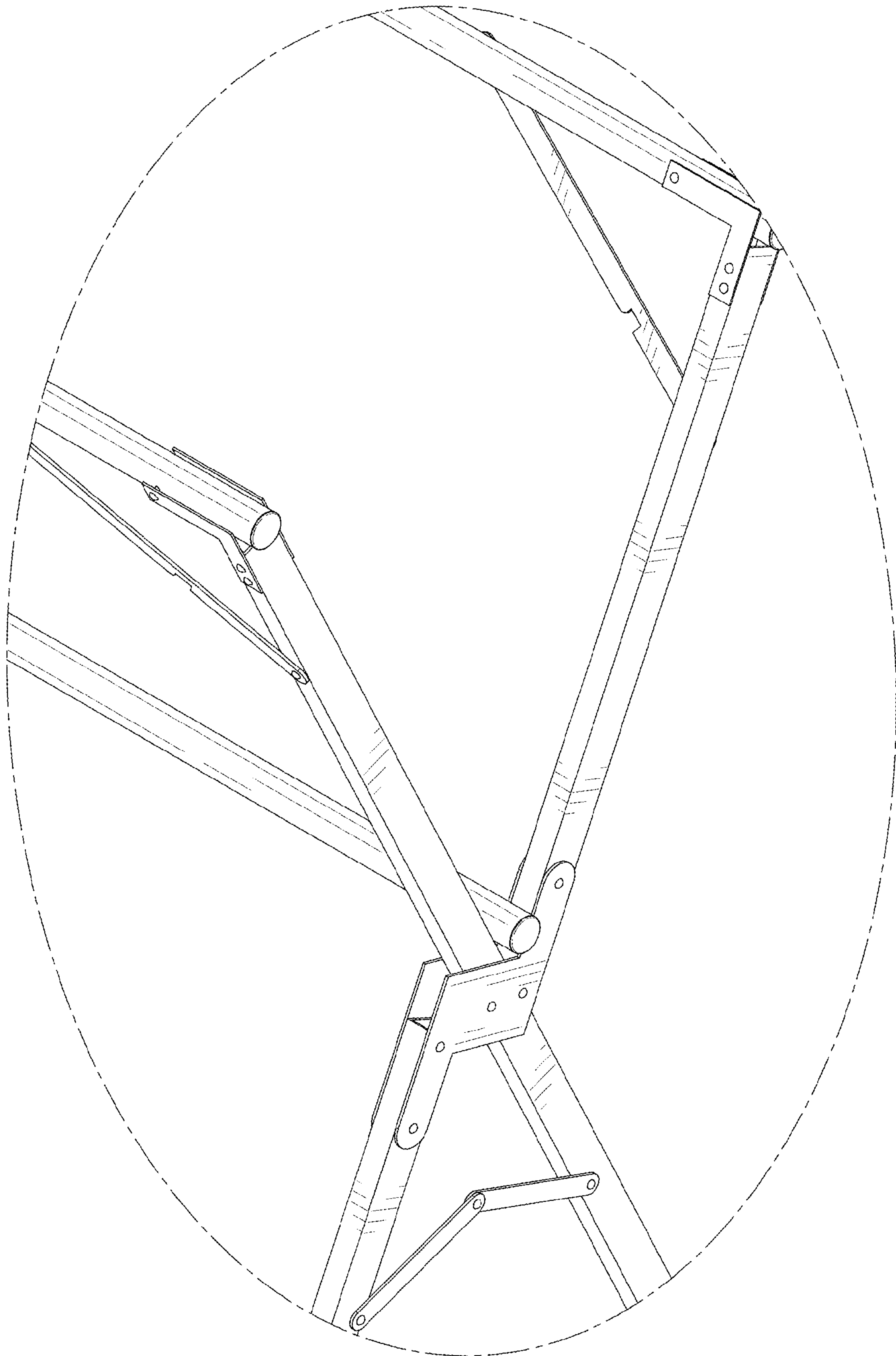


FIG. 9