

US00D923273S

(12) **United States Design Patent**
Loseto

(10) **Patent No.:** **US D923,273 S**
(45) **Date of Patent:** **** Jun. 22, 2021**

(54) **WAX HANDLING ASSEMBLY**

(71) Applicant: **Luciano Loseto**, Massapequa, NY (US)

(72) Inventor: **Luciano Loseto**, Massapequa, NY (US)

(**) Term: **15 Years**

(21) Appl. No.: **29/695,494**

(22) Filed: **Jun. 19, 2019**

(51) **LOC (13) Cl.** **07-05**

(52) **U.S. Cl.**
USPC **D32/46**

(58) **Field of Classification Search**

USPC D4/130–132, 138, 199; D8/9, 14, 80;
D15/122, 123, 124, 140, 152, 199;
D32/40, 45–47, 52

CPC A63C 11/04; A63C 11/08; B63B 32/00;
B63B 35/79; B65D 83/0005

See application file for complete search history.

(56) **References Cited**

U.S. PATENT DOCUMENTS

2,379,745	A	7/1945	Pischel et al.	
D236,564	S *	9/1975	Kaufman	D4/120
D242,584	S *	12/1976	Kaufman	D4/120
4,089,076	A *	5/1978	Sparling	A63C 11/06 280/809
4,215,947	A	8/1980	Sparling	
D286,337	S *	10/1986	Wilkie, Jr.	15/105
5,150,978	A	9/1992	Stewart et al.	
5,219,238	A	6/1993	Hainbach	

(Continued)

FOREIGN PATENT DOCUMENTS

AU	WO2008037003	A1	4/2008
AU	2013-H80780	*	3/2013

(Continued)

OTHER PUBLICATIONS

The Wax Scrapper. Advertisement [online]. WXSC Surf, LLC., 2018 [retrieved on Sep. 18, 2019]. Retrieved from the Internet: <URL: www.wxscsurf.com/>.

(Continued)

Primary Examiner — Michael C Stout

Assistant Examiner — Fitzgerald L Butac

(74) *Attorney, Agent, or Firm* — The Law Office of Daniel T. Weglarz, P.C.

(57) **CLAIM**

The ornamental design for a wax handling assembly, as shown and described.

DESCRIPTION

FIG. 1 is a front, right, top perspective view of a wax handling assembly showing my new design in an assembled configuration;

FIG. 2 is a right side elevational view thereof;

FIG. 3 is a left side elevational view thereof;

FIG. 4 is a front elevational view thereof;

FIG. 5 is a rear elevational view thereof;

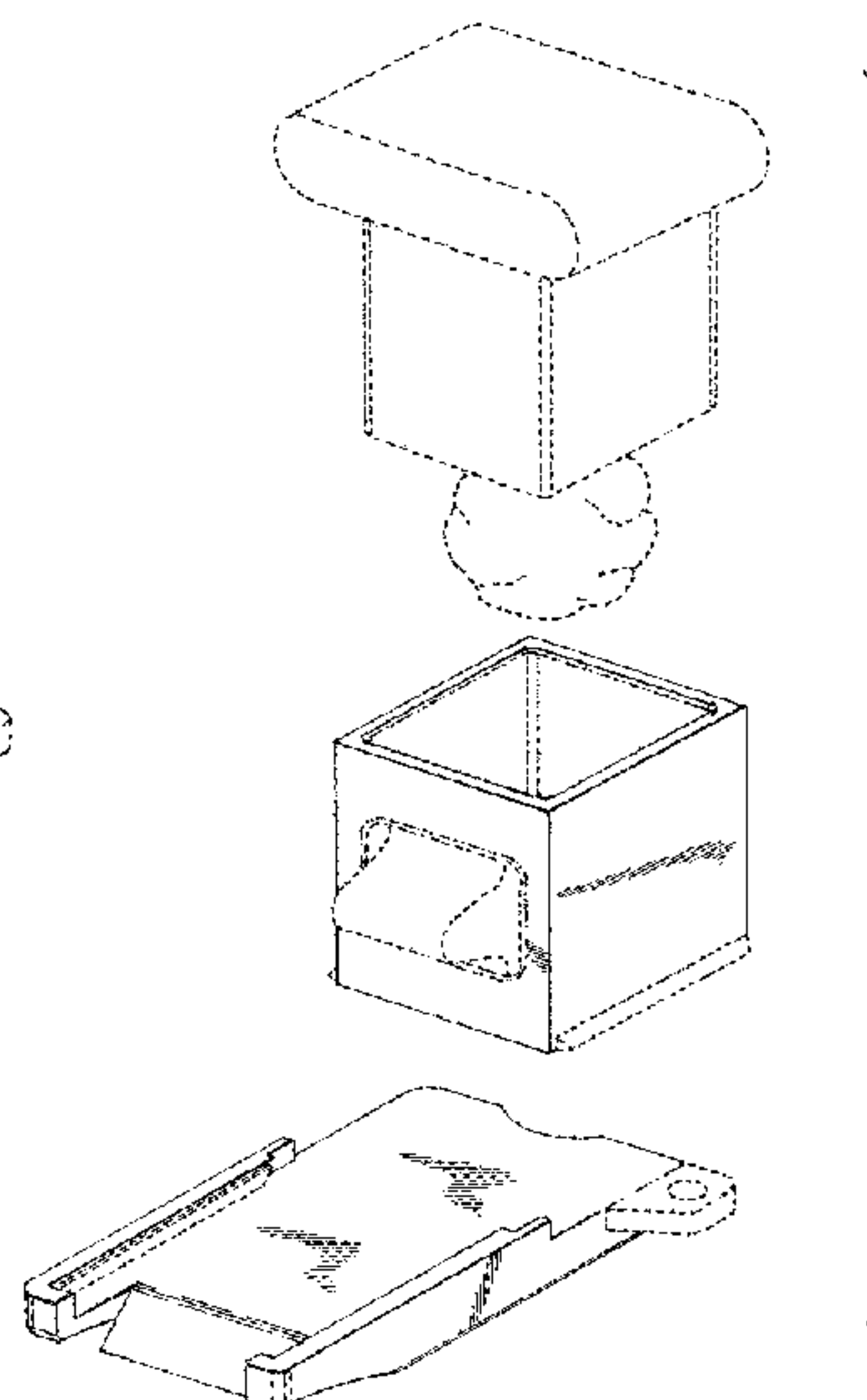
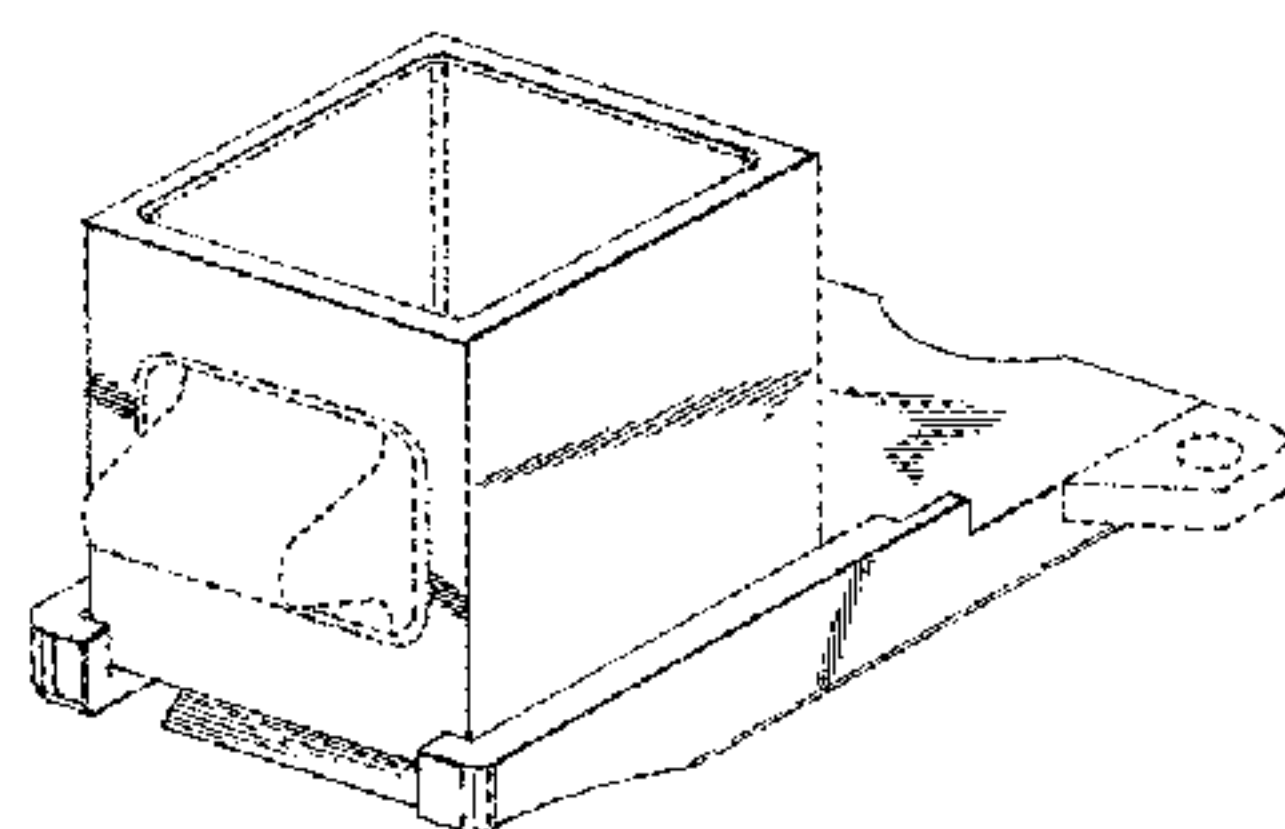
FIG. 6 is a top plan view thereof;

FIG. 7 is a bottom plan view thereof; and,

FIG. 8 is an exploded front, right, top perspective view of the wax handling assembly, in which a box portion of the wax handling assembly is shown separated from a base portion of the wax handling assembly for completeness of disclosure, shown with a pressing block portion of the wax handling assembly and a ball of wax both in broken lines forming no part of the claimed design.

The wax handling assembly comprises a box portion and a base portion. The portions of the wax handling assembly shown in broken lines form no part of the claimed design. The dash-dot-dot-dash broken lines in the drawings define the bounds of the claim. The broken lines showing a wax pressing block portion and a ball of wax in FIG. 8 are for environmental purposes only and form no part of the claimed design.

1 Claim, 5 Drawing Sheets



(56)

References Cited

U.S. PATENT DOCUMENTS

6,821,041	B1	11/2004	Hallam et al.	
D586,512	S *	2/2009	van Deursen	D32/46
D670,057	S *	10/2012	DiMauro	D32/46
8,448,276	B2	5/2013	Carroll	
9,067,655	B1 *	6/2015	Fusco	B63B 32/70
D841,271	S *	2/2019	Motsenbocker	D32/46
10,513,386	B1 *	12/2019	Loseto	B65D 83/0005
2005/0278866	A1 *	12/2005	Madarieta	B25F 1/04 7/120
2006/0248792	A1	11/2006	Huxley	
2007/0277336	A1 *	12/2007	Heaslet	A63C 11/08 15/105
2008/0086829	A1	4/2008	Adams	
2008/0193192	A1	8/2008	Zulian	
2011/0294381	A1 *	12/2011	Nazzari	B63B 32/70 441/74
2012/0144609	A1	6/2012	Nakano	
2012/0170964	A1	7/2012	Bogdanoff	

FOREIGN PATENT DOCUMENTS

JP	2011125671	A *	6/2011	
WO	2008-F86012	*	9/2006	
WO	2014-D76219	*	8/2012	
WO	WO-2014030136	A1 *	2/2014 B65D 1/22

OTHER PUBLICATIONS

Wax Scrapper. Datasheet [online]. WXSC Surf, LLC., 2018 [retrieved on Sep. 18, 2019]. Retrieved from the Internet: <URL: www.wxscsurf.com/product-page/wax-scrapper>.

Screen capture from YouTube video clip entitled “The Wax Scrapper,” 1 page, uploaded on Jul. 26, 2018 by user “luciano loseto”. Retrieved from the Internet: <<https://www.youtube.com/watch?v=VJLC3UG6BMY>>.

Screen capture from YouTube video clip entitled “The wax Scrapper,” 1 page, uploaded on Jul. 26, 2018 by user “luciano loseto”. Retrieved from the Internet: <<https://www.youtube.com/watch?v=hL1R99ZT-s4>>.

Instagram post, 1 page, posted Jun. 21, 2018 by user “wxsc_surf”. Retrieved from the Internet: <<https://www.instagram.com/p/BkTkhC1HOqP/>>.

Screen capture from Instagram post video clip, 1 page, posted Jun. 23, 2018 by user “wxsc_surf”. Retrieved from the Internet: <<https://www.instagram.com/p/BkY04RKgxAO/>>.

Screen capture from Instagram post video clip, 1 page, posted Jul. 20, 2018 by user “wxsc_surf”. Retrieved from the Internet: <<https://www.instagram.com/p/BidPkzXFRwR/>>.

Instagram post, 1 page, posted Jul. 24, 2018 by user “wxsc_surf”. Retrieved from the Internet: <<https://www.instagram.com/p/BInnXGrH4jm/>>.

Instagram post, 1 page, posted Jul. 26, 2018 by user “wxsc_surf”. Retrieved from the Internet: <<https://www.instagram.com/p/BlsXzdH3Ap/>>.

Instagram post, 1 page, posted Aug. 6, 2018 by user “wxsc_surf”. Retrieved from the Internet: <<https://www.instagram.com/p/Bml7RCWHJtf/>>.

Instagram post, 1 page, posted Aug. 31, 2018 by user “wxsc_surf”. Retrieved from the Internet: <<https://www.instagram.com/p/BnJ9hKUnMXi/>>.

Instagram post, 1 page, posted Sep. 6, 2018 by user “wxsc_surf”. Retrieved from the Internet: <<https://www.instagram.com/p/BnZeocMH-Mh/>>.

Screen capture from Instagram post video clip, 1 page, posted Sep. 26, 2018 by user “wxsc_surf”. Retrieved from the Internet: <<https://www.instagram.com/p/BoMbWisHbVF/>>.

Screen capture from Instagram post video clip, 1 page, posted Oct. 14, 2018 by user “wxsc_surf”. Retrieved from the Internet: <<https://www.instagram.com/p/Bo62FSMH1Ax/>>.

Instagram post, 1 page, posted Nov. 1, 2018 by user “wxsc_surf”. Retrieved from the Internet: <<https://www.instagram.com/p/BpqZyu7HZYP/>>.

Instagram post, 1 page, posted Jan. 3, 2019 by user “wxsc_surf”. Retrieved from the Internet: <<https://www.instagram.com/p/BsMEQc8nxOX/>>.

Instagram post, 1 page, posted Mar. 15, 2019 by user “wxsc_surf”. Retrieved from the Internet: <https://www.instagram.com/p/BvCqa_sntEg/>.

Screen capture from Instagram post video clip, 1 page, posted Apr. 11, 2019 by user “wxsc_surf”. Retrieved from the Internet: <<https://www.instagram.com/p/BwH3u3pnWJ5/>>.

Instagram post, 1 page, posted May 1, 2019 by user “wxsc_surf”. Retrieved from the Internet: <<https://www.instagram.com/p/Bw7MPZVnb5-/>>.

Instagram post, 1 page, posted May 14, 2019 by user “wxsc_surf”. Retrieved from the Internet: <<https://www.instagram.com/p/BxcuMyjHoQ4/>>.

Screen capture from Instagram post video clip, 1 page, posted May 24, 2019 by user “wxsc_surf”. Retrieved from the Internet: <<https://www.instagram.com/p/Bx2gB9mHGUF/>>.

Screen capture from Instagram post video clip, 1 page, posted Jun. 11, 2019 by user “wxsc_surf”. Retrieved from the Internet: <https://www.instagram.com/p/Byk_vs_nq2R/>.

Instagram post, 1 page, posted Jul. 1, 2019 by user “wxsc_surf”. Retrieved from the Internet: <<https://www.instagram.com/p/BzYJ1M9HBSM/>>.

Screen capture from Instagram post video clip, 1 page, posted Aug. 5, 2019 by user “wxsc_surf”. Retrieved from the Internet: <<https://www.instagram.com/p/B0yYBbPH0Qg/>>.

Instagram post, 1 page, posted Sep. 11, 2019 by user “wxsc_surf”. Retrieved from the Internet: <<https://www.instagram.com/p/B2PnyQtnEky/>>.

Facebook post, 1 page, posted Sep. 6, 2018 by user “Wax Scrapper”. Retrieved from the Internet: <<https://www.facebook.com/waxscrapper/photos/a.487889818314433/550220845414663/?type=3&theater>>.

Facebook post, 1 page, posted Sep. 8, 2018 by user “Wax Scrapper”. Retrieved from the Internet: <<https://www.facebook.com/waxscrapper/photos/a.487889818314433/551114125325335/?type=3&theater>>.

Facebook post, 1 page, posted Mar. 29, 2019 by user “Wax Scrapper”. Retrieved from the Internet: <<https://www.facebook.com/waxscrapper/photos/a.487889818314433/655819938188086/?type=3&theater>>.

Facebook post, 1 page, posted May 2, 2019 by user “Wax Scrapper”. Retrieved from the Internet: <<https://www.facebook.com/waxscrapper/photos/a.487889818314433/674135293023217/?type=3&theater>>.

Facebook post, 1 page, posted May 8, 2019 by user “Wax Scrapper”. Retrieved from the Internet: <<https://www.facebook.com/waxscrapper/photos/a.487889818314433/677308319372581/?type=3&theater>>.

Facebook post, 1 page, posted May 14, 2019 by user “Wax Scrapper”. Retrieved from the Internet: <<https://www.facebook.com/waxscrapper/photos/a.487889818314433/680893039014109/?type=3&theater>>.

Facebook post, 1 page, posted May 17, 2019 by user “Wax Scrapper”. Retrieved from the Internet: <<https://www.facebook.com/waxscrapper/photos/a.487889818314433/682775855492494/?type=3&theater>>.

Facebook post, 1 page, posted Jul. 1, 2019 by user “Wax Scrapper”. Retrieved from the Internet: <<https://www.facebook.com/waxscrapper/photos/a.487889818314433/711958625907550/?type=3&theater>>.

Facebook post, 1 page, posted Jul. 4, 2019 by user “Wax Scrapper”. Retrieved from the Internet: <<https://www.facebook.com/waxscrapper/photos/a.487889818314433/713890775714335/?type=3&theater>>.

Facebook post, 1 page, posted Jul. 28, 2018 by user “Wax Scrapper”. Retrieved from the Internet: <<https://www.facebook.com/waxscrapper/photos/a.487768831659865/487768841659864/?type=3&theater>>.

(56)

References Cited

OTHER PUBLICATIONS

Facebook post, 1 page, posted Jul. 24, 2018 by user “Wax Scrapper”. Retrieved from the Internet: <<https://www.facebook.com/waxscrapper/photos/a.487768831659865/512022229234525/?type=3&theater>>.

Facebook post, 1 page, posted Dec. 12, 2018 by user “Wax Scrapper”. Retrieved from the Internet: <<https://www.facebook.com/waxscrapper/photos/a.487768831659865/597866217316792/?type=3&theater>>.

Facebook post, 1 page, posted May 24, 2019 by user “Wax Scrapper”. Retrieved from the Internet: <<https://www.facebook.com/waxscrapper/photos/a.487768831659865/686953928408020/?type=3&theater>>.

Facebook post, 1 page, posted Jul. 25, 2018 by user “Wax Scrapper”. Retrieved from the Internet: <<https://www.facebook.com/waxscrapper/photos/a.487838508319564/513092335794181/?type=3&theater>>.

Facebook post, 1 page, posted May 24, 2019 by user “Wax Scrapper”. Retrieved from the Internet: <<https://www.facebook.com/waxscrapper/photos/a.487838508319564/686953515074728/?type=3&theater>>.

List of the Inventor’s Previous Sales of “The Wax Scrapper” product.

* cited by examiner

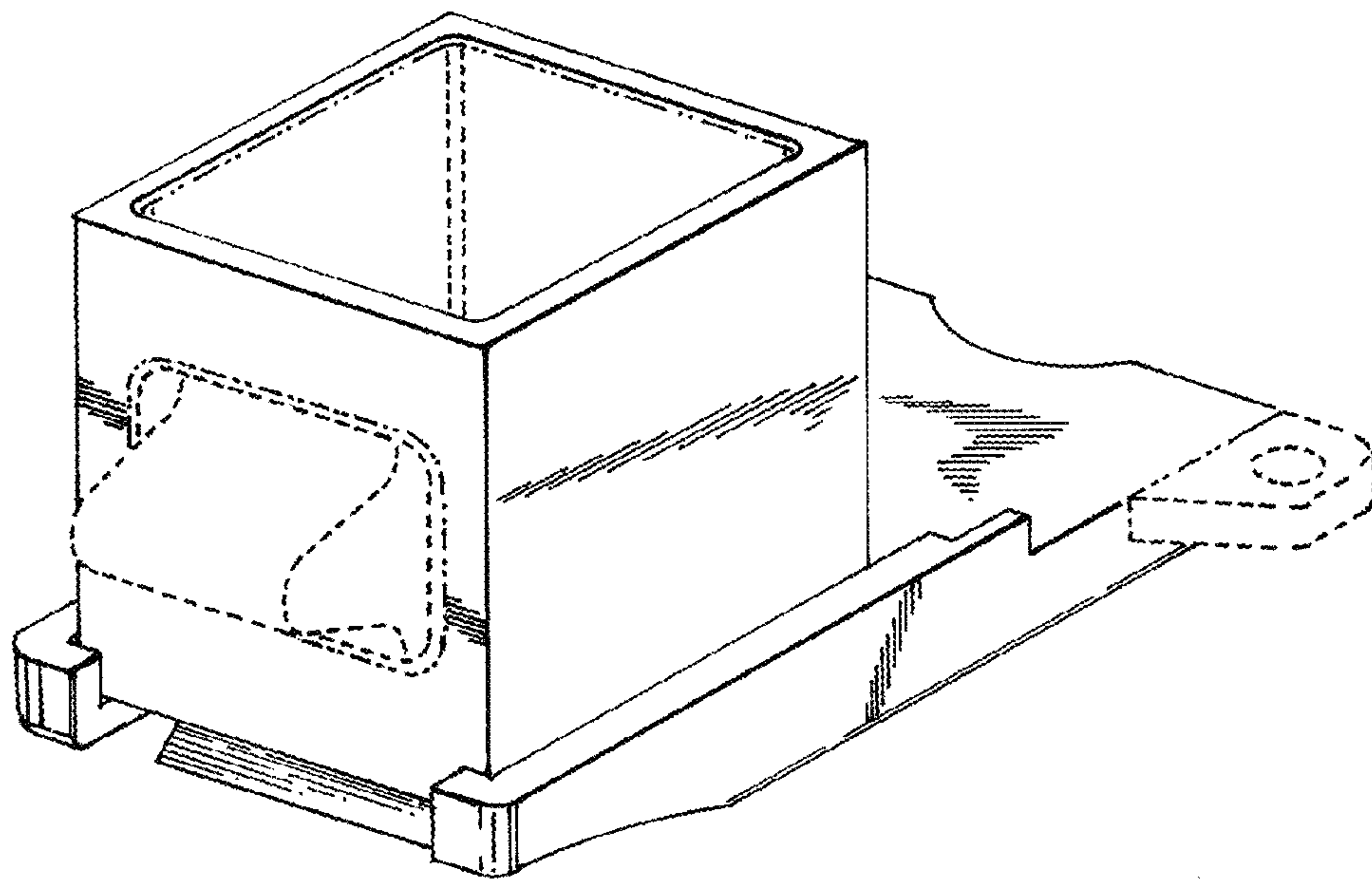


Fig. 1

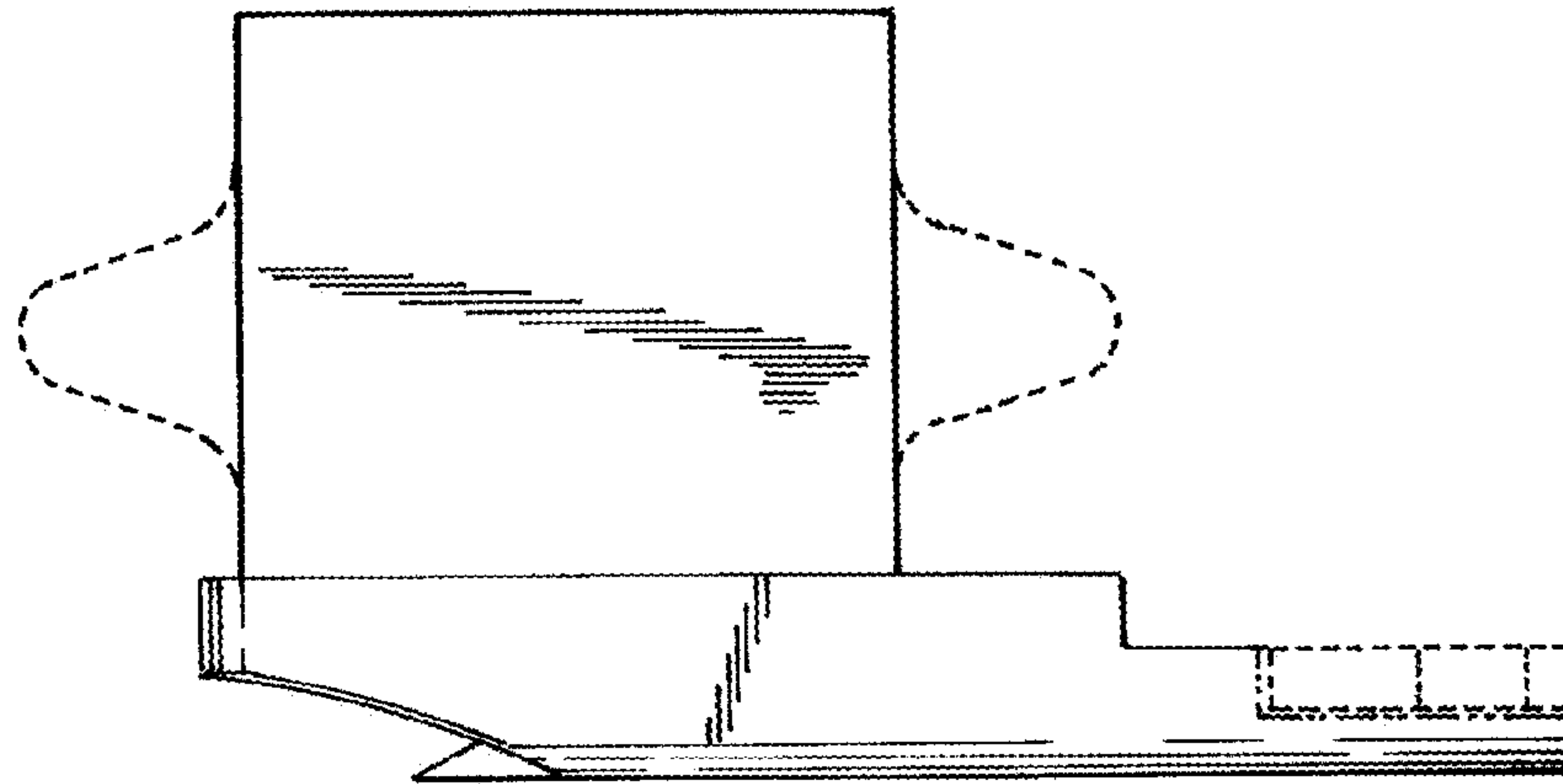


Fig. 2

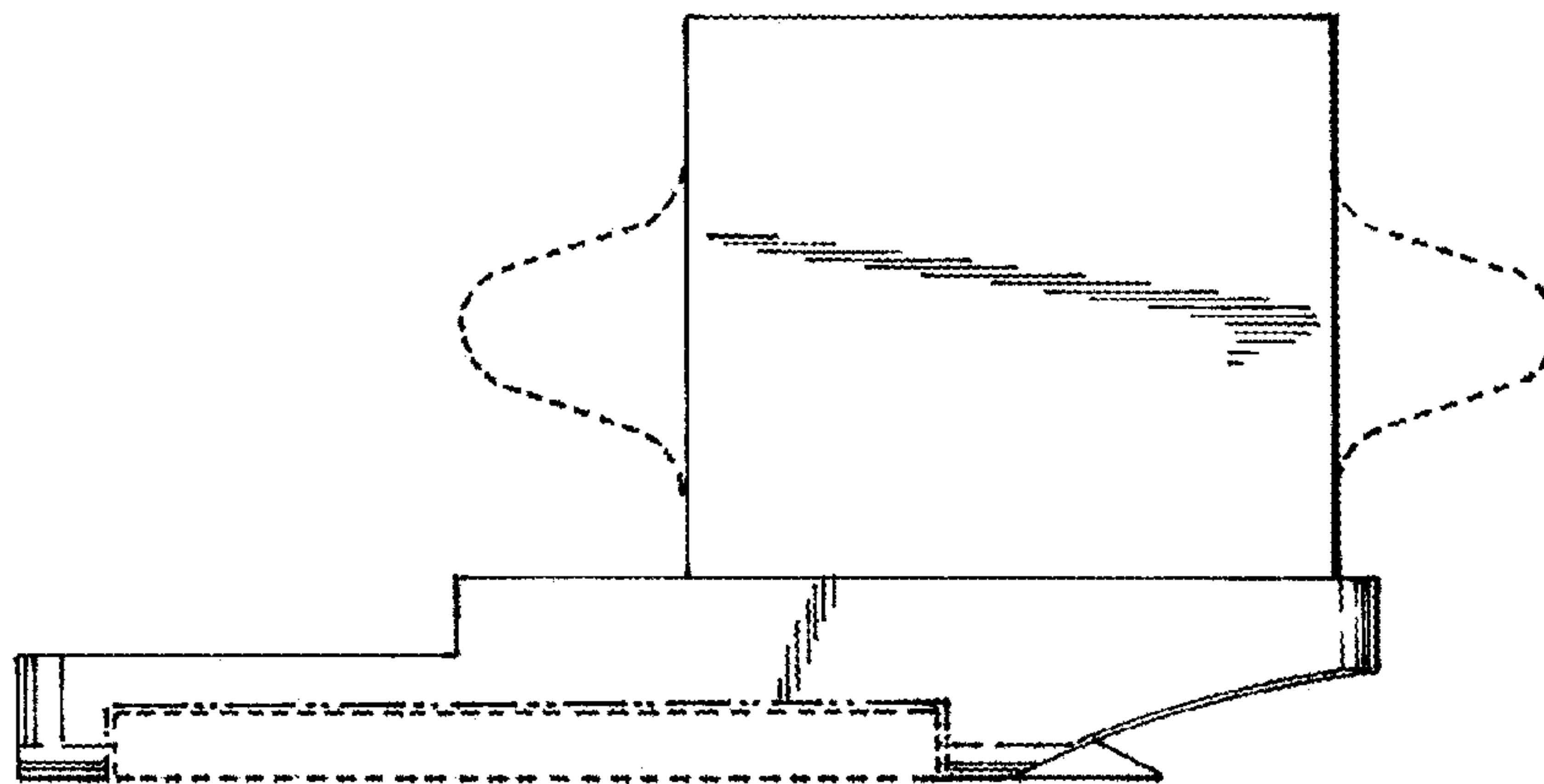


Fig. 3

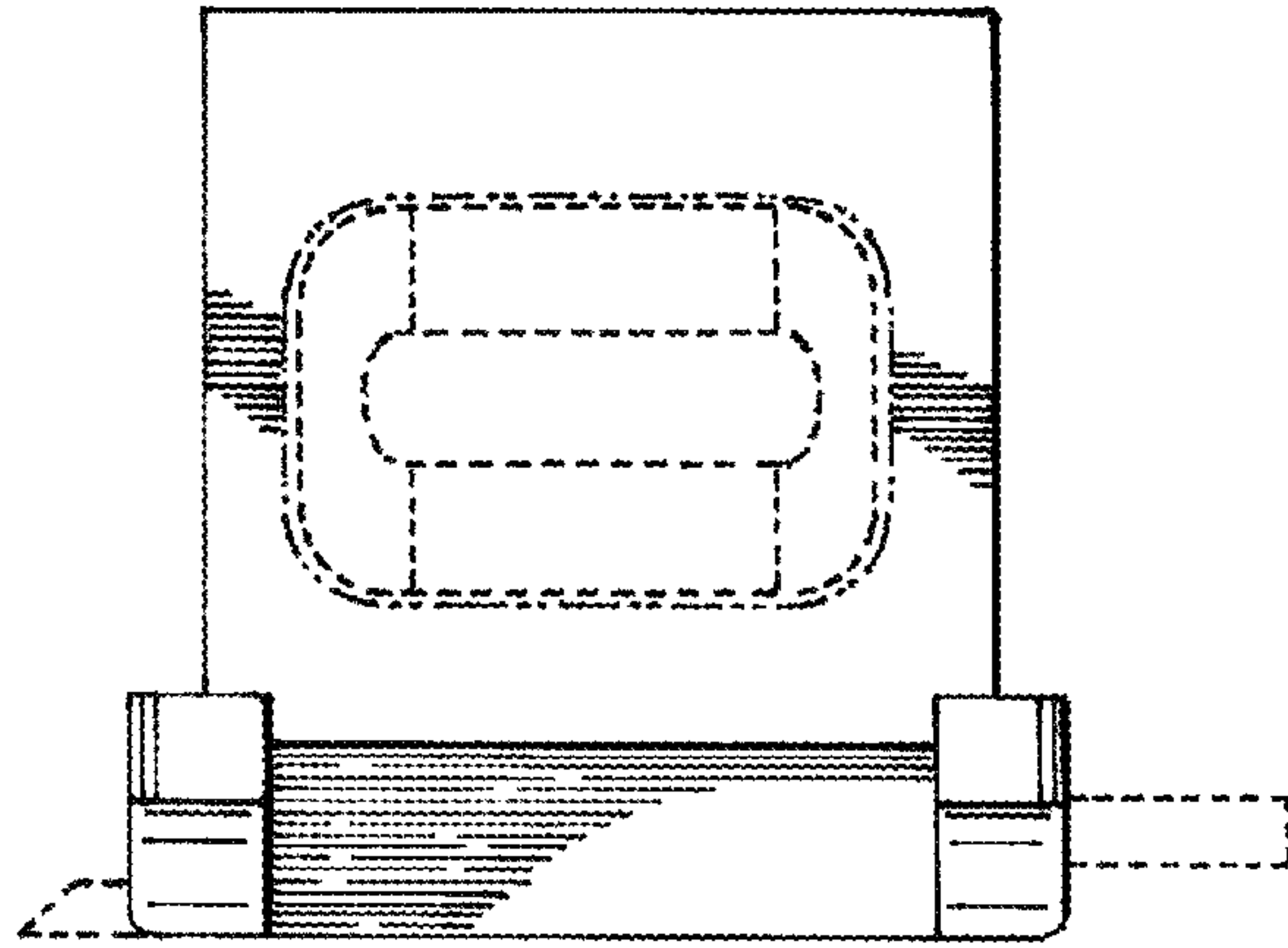


Fig. 4

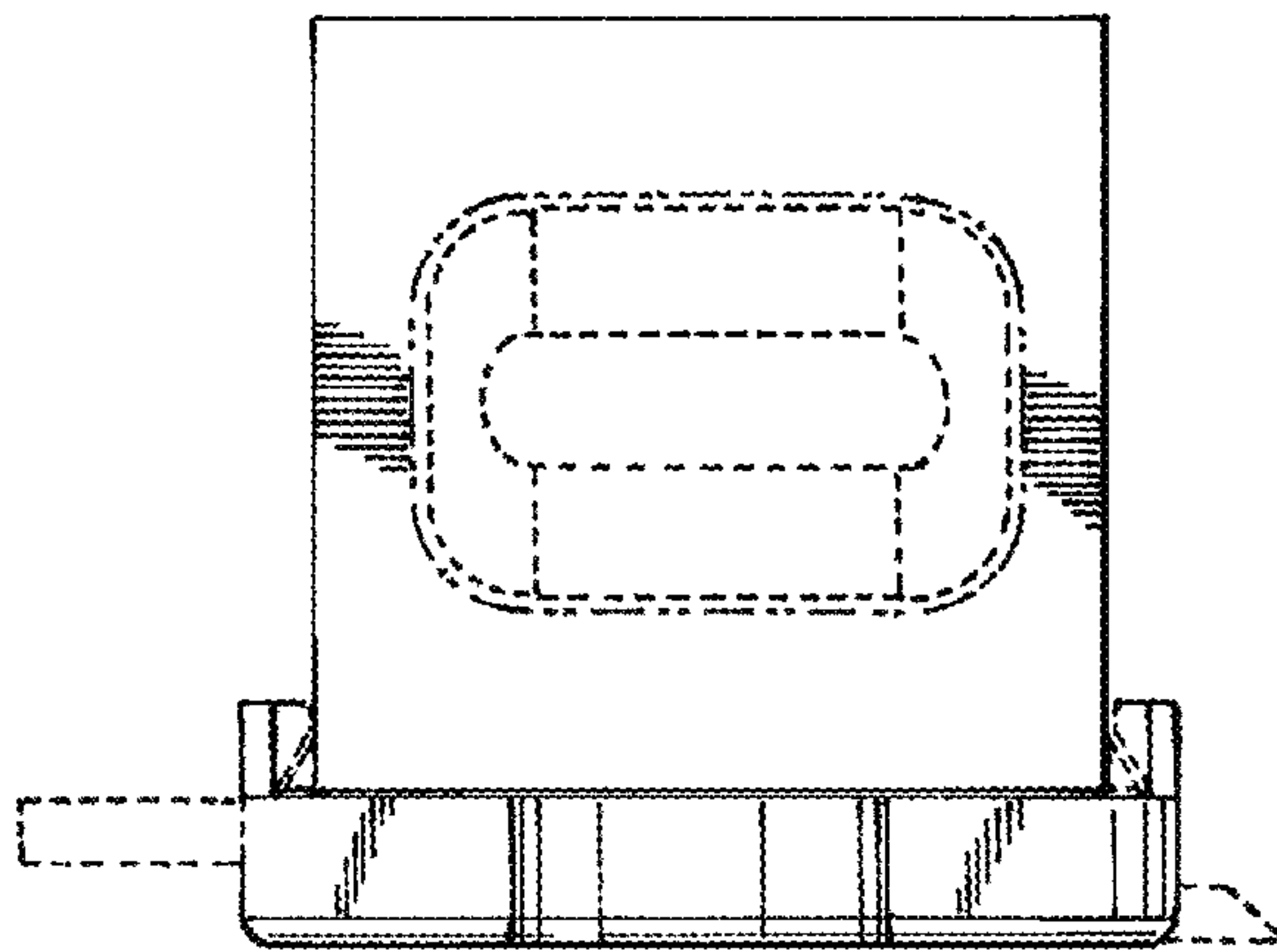


Fig. 5

Fig. 6

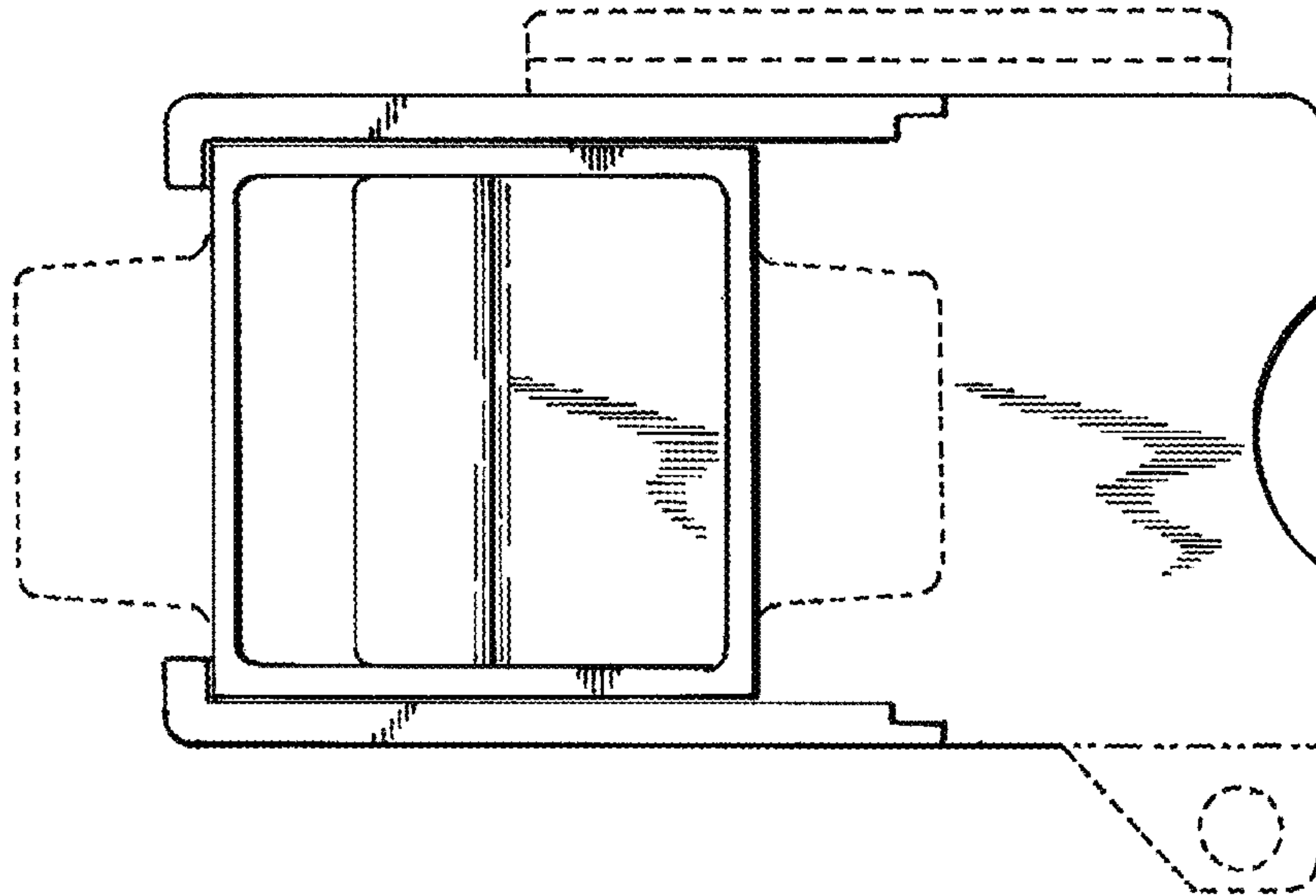


Fig. 7



Fig. 8

