



US00D923271S

(12) **United States Design Patent**
Konkey

(10) **Patent No.:** **US D923,271 S**
(45) **Date of Patent:** **** Jun. 22, 2021**

(54) **CLEANING ACCESSORY**

D462,818 S * 9/2002 Haro D32/40
D464,472 S * 10/2002 Haro D32/40
D553,316 S * 10/2007 Poizeau D32/40

(71) Applicant: **American Invented Products, Inc.**,
West Dundee, IL (US)

(Continued)

(72) Inventor: **Kenneth J. Konkey**, West Dundee, IL
(US)

FOREIGN PATENT DOCUMENTS

CN 304611217 * 5/2018

(73) Assignee: **American Invented Products, Inc.**,
West Dundee, IL (US)

OTHER PUBLICATIONS

(**) Term: **15 Years**

Banana Smiley face Fruits kawaii Kitchen sponge-Japanese H . . .
| Flickr, image date Nov. 2009, <https://www.flickr.com/photos/22625784@N06/4129510623/>, site visited Feb. 13, 2021.*

(21) Appl. No.: **29/724,805**

(22) Filed: **Feb. 19, 2020**

Primary Examiner — John R Yeh

(74) *Attorney, Agent, or Firm* — Brie A. Crawford;
Crawford Intellectual Property Law LLC

Related U.S. Application Data

(63) Continuation-in-part of application No. 29/702,803,
filed on Aug. 22, 2019, which is a
continuation-in-part of application No. 16/508,088,
filed on Jul. 10, 2019, which is a continuation-in-part
of application No. 29/665,001, filed on Sep. 28, 2018,
now Pat. No. Des. 901,803.

(57) **CLAIM**

The ornamental design for a cleaning accessory, as shown
and described.

(51) **LOC (13) Cl.** **07-05**

(52) **U.S. Cl.**
USPC **D32/40**

(58) **Field of Classification Search**
USPC D32/40-43
CPC A47K 7/02; A47L 11/282; A47L 13/12;
A47L 13/16
See application file for complete search history.

DESCRIPTION

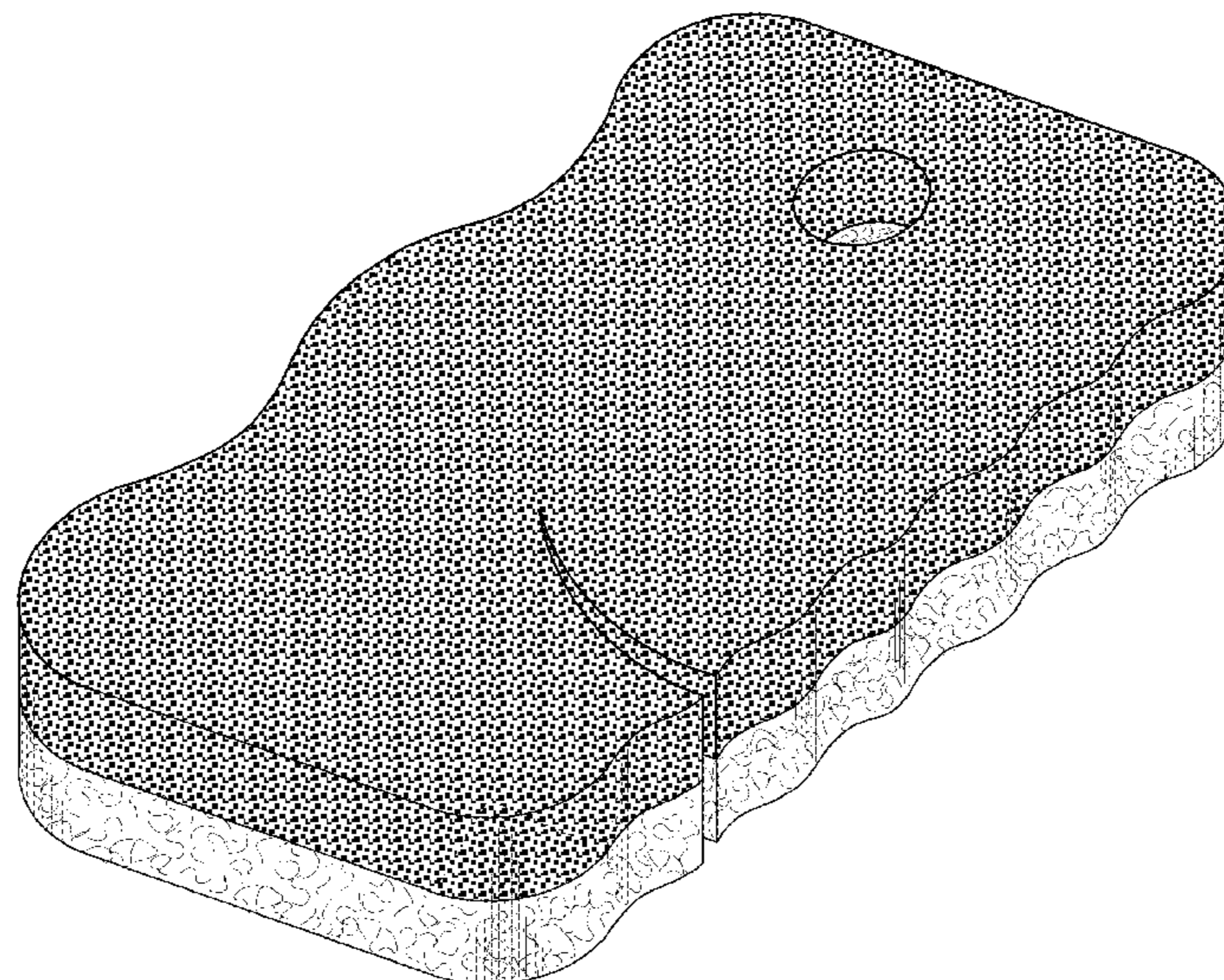
FIG. 1 depicts a top, front perspective view showing a first
embodiment of my new design for a cleaning accessory;
FIG. 2 depicts a front elevation view thereof;
FIG. 3 depicts a rear elevation view thereof;
FIG. 4 depicts a top plan view thereof;
FIG. 5 depicts a bottom plan view thereof;
FIG. 6 depicts a left elevation view thereof;
FIG. 7 depicts a right elevation view thereof;
FIG. 8 depicts a top, front perspective view showing a
second embodiment of my new design for a cleaning acces-
sory;
FIG. 9 depicts a front elevation view thereof;
FIG. 10 depicts a rear elevation view thereof;
FIG. 11 depicts a top plan view thereof;
FIG. 12 depicts a bottom plan view thereof;
FIG. 13 depicts a left elevation view thereof; and,
FIG. 14 depicts a right elevation view thereof.

(56) **References Cited**

U.S. PATENT DOCUMENTS

1,822,725 A * 9/1931 Cooper A47L 13/257
15/105
D179,989 S * 4/1957 Virneburg D32/43
D379,698 S * 6/1997 Freudenberg D32/40
D392,433 S * 3/1998 Norris D32/40

1 Claim, 10 Drawing Sheets



(56)

References Cited

U.S. PATENT DOCUMENTS

D571,515 S *	6/2008	Krause	D32/40
D690,892 S *	10/2013	Krause	D32/40
D768,947 S *	10/2016	Mantelli	D32/40
D769,559 S *	10/2016	Anderson	D32/40
D811,674 S *	2/2018	Krause	D32/40
D822,298 S *	7/2018	Krause	D32/43
D822,927 S *	7/2018	Krause	D32/43
D826,497 S *	8/2018	Smith	D32/40
D901,803 S *	11/2020	Konkey	D32/40
2014/0075699 A1 *	3/2014	Krause	A47K 7/02 15/209.1
2020/0100641 A1 *	4/2020	Konkey	A47L 21/04

* cited by examiner

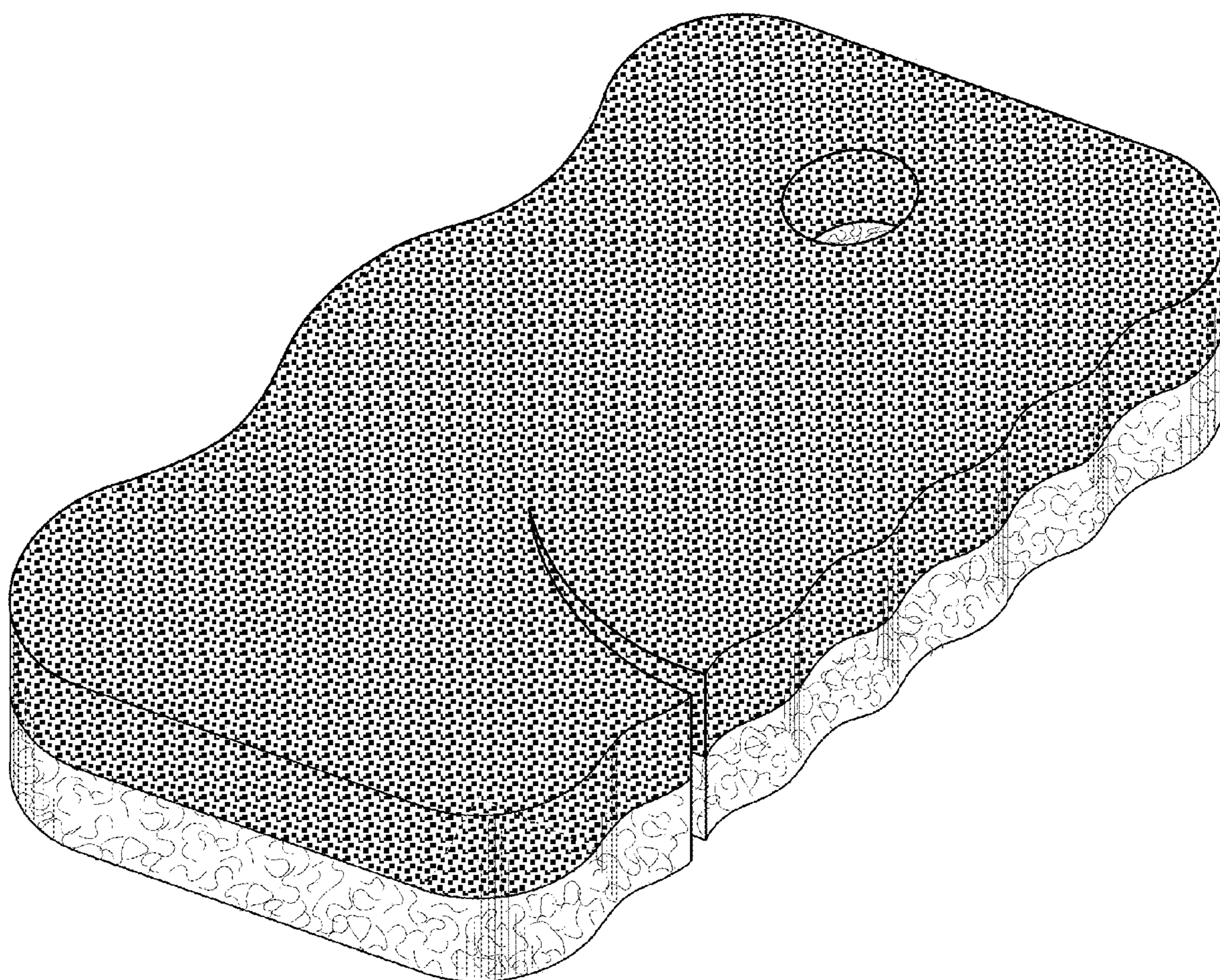


FIG. 1

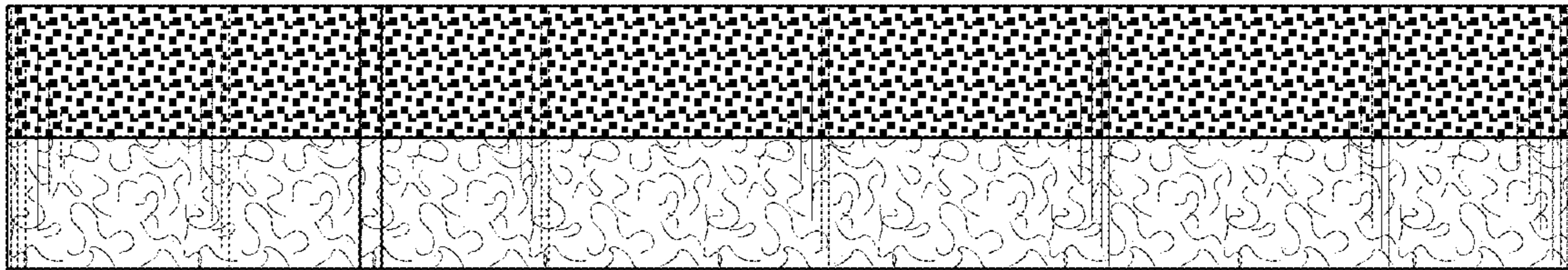


FIG. 2

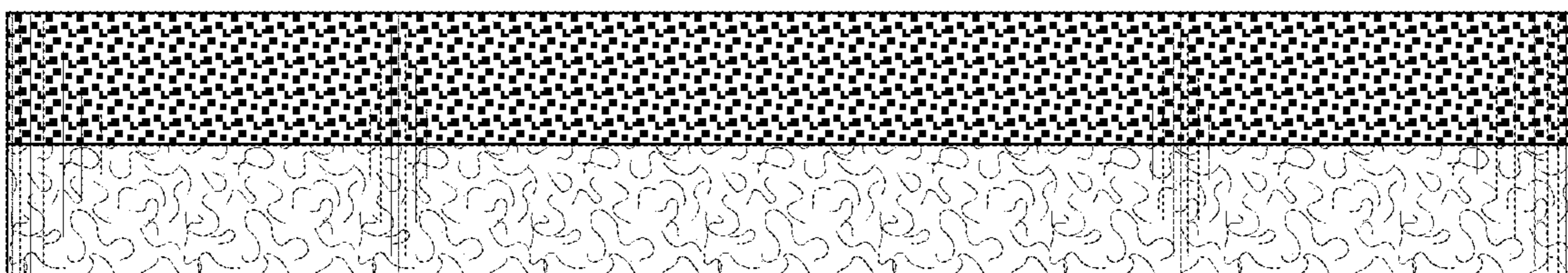


FIG. 3

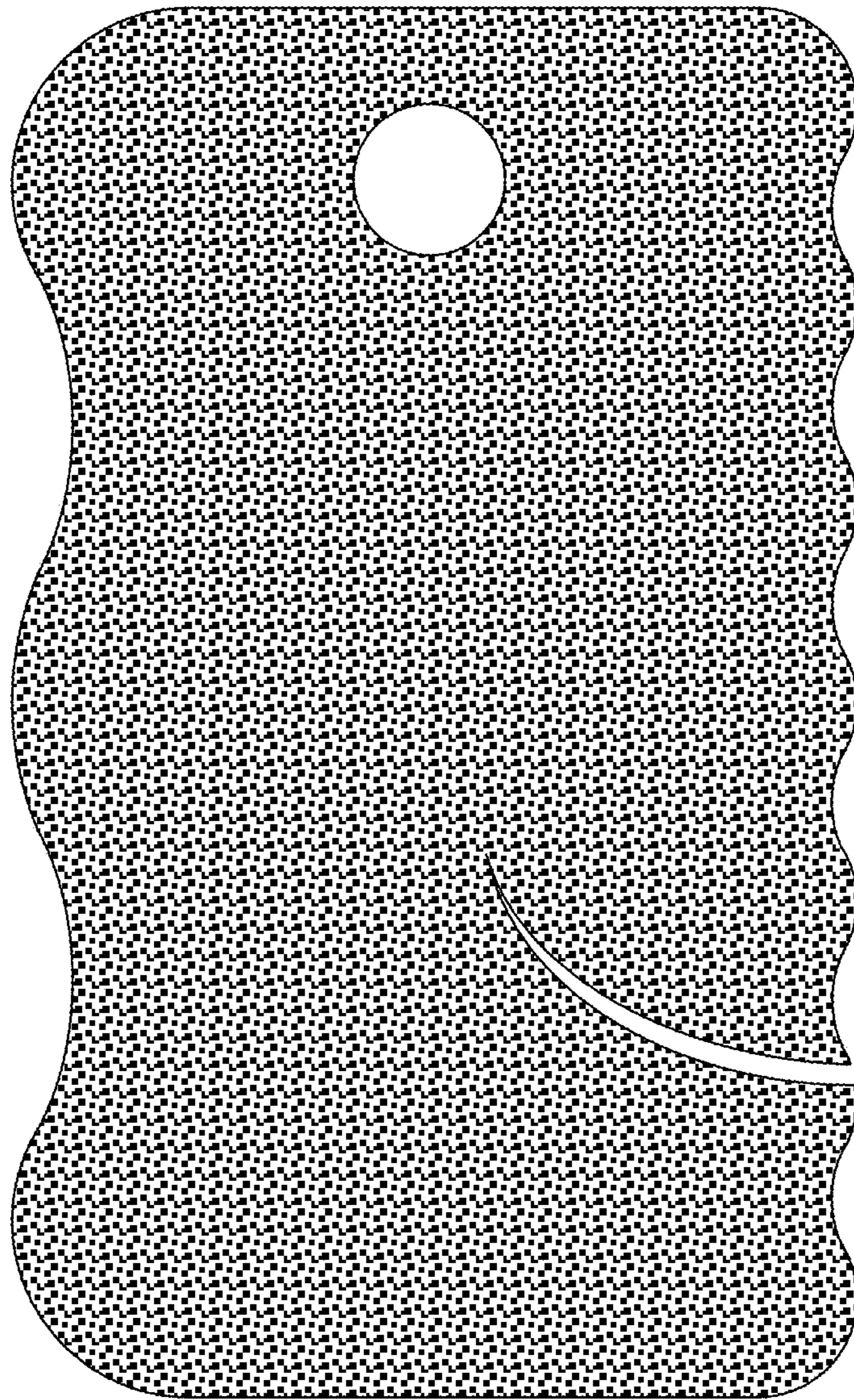


FIG. 4

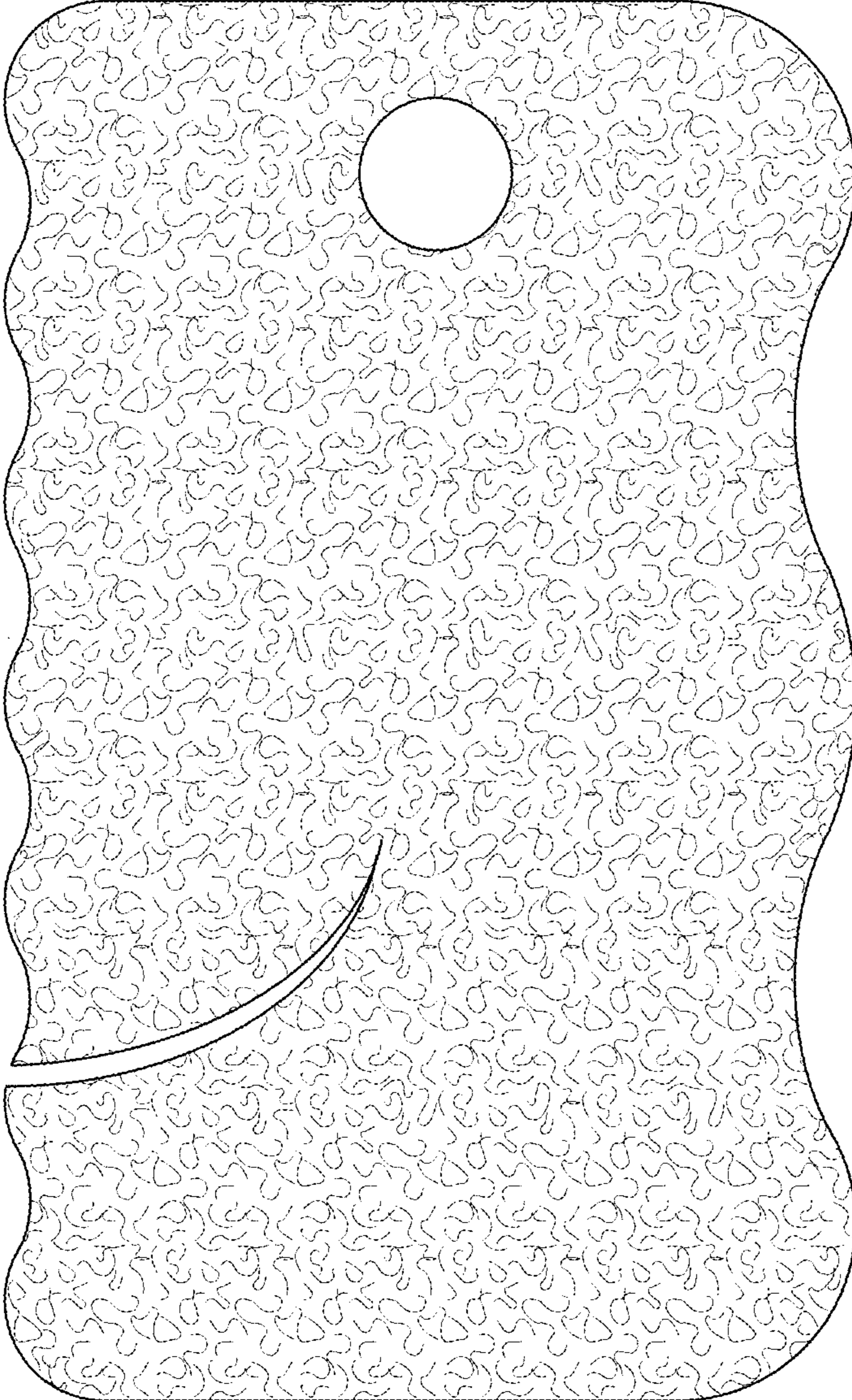


FIG. 5

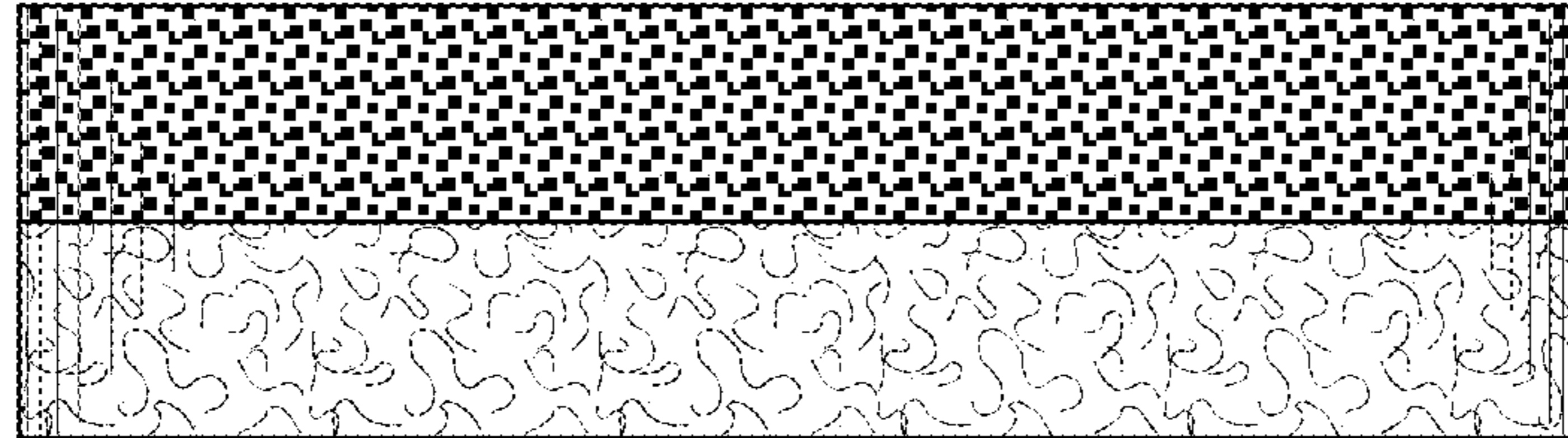


FIG. 6

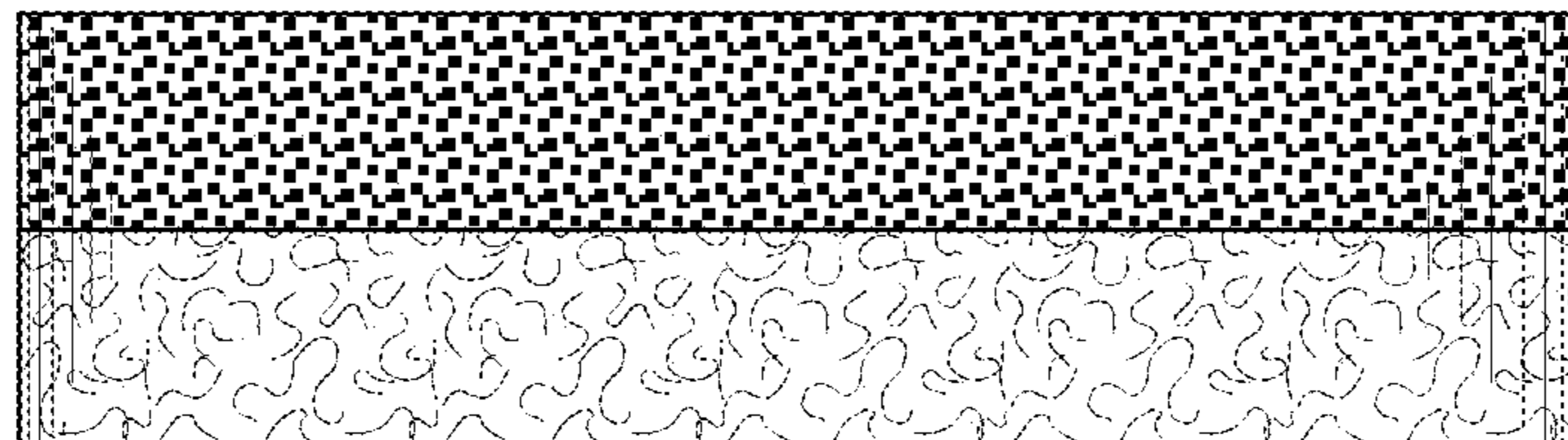


FIG. 7

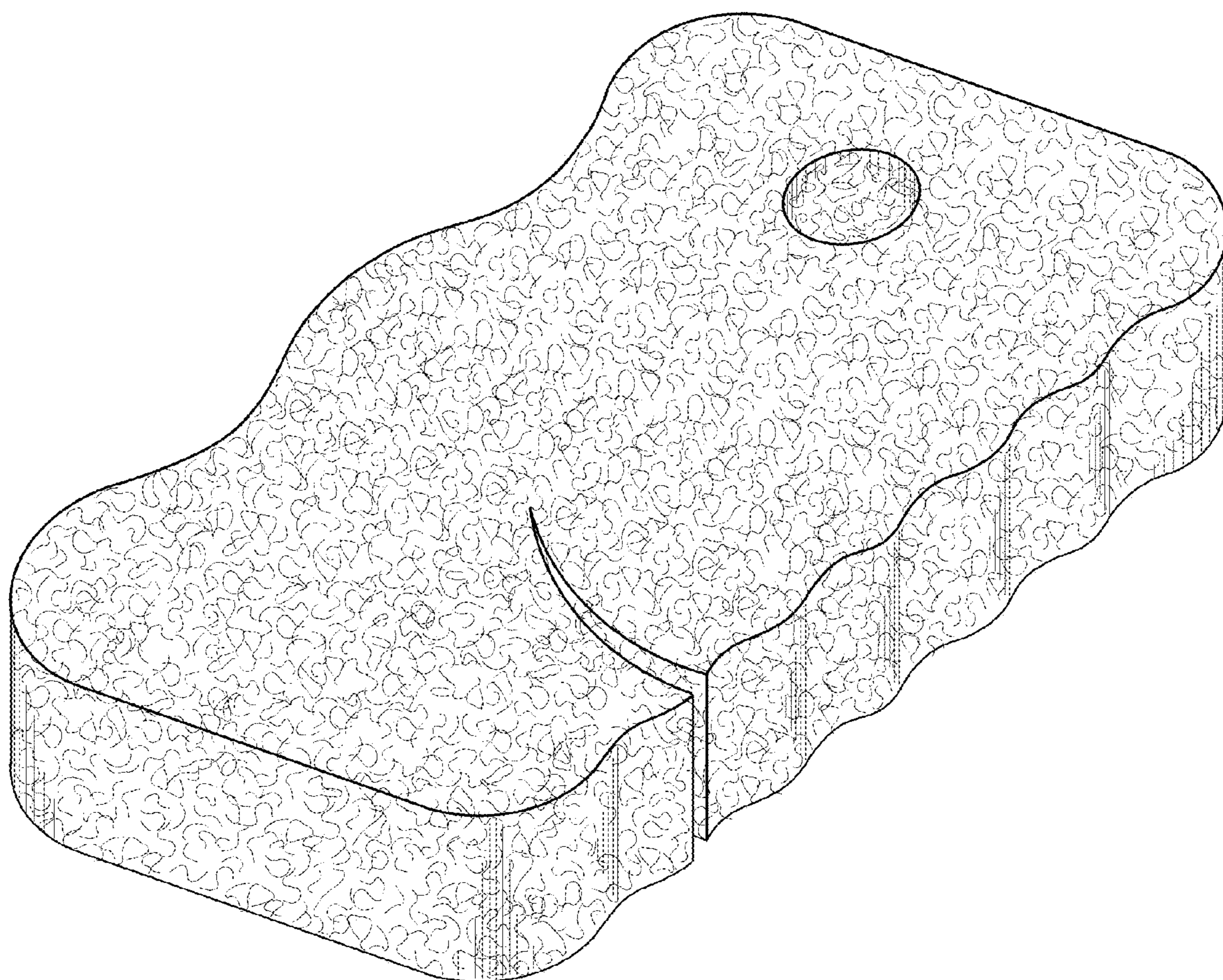


FIG. 8

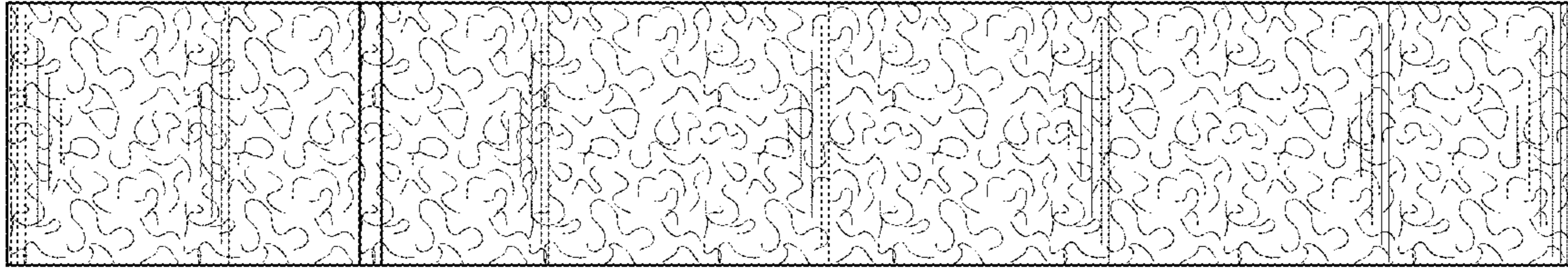


FIG. 9

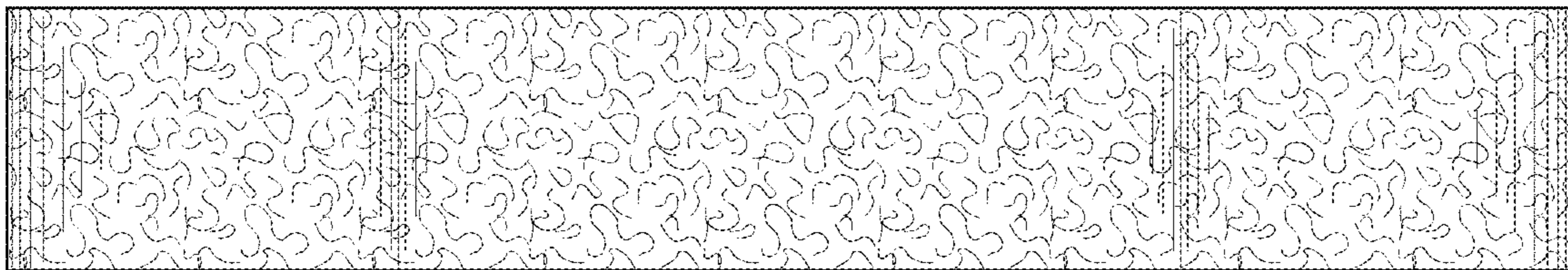


FIG. 10

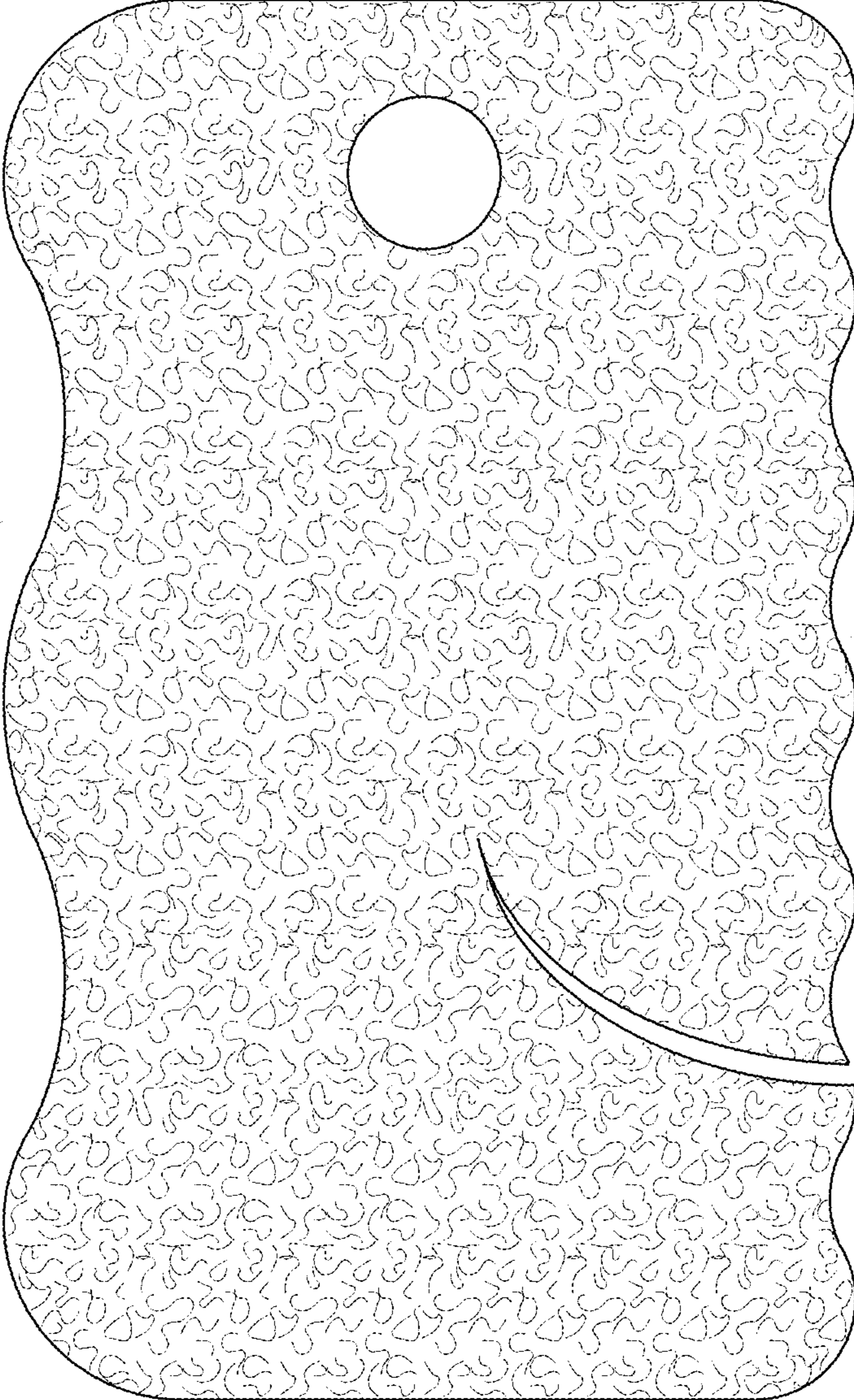


FIG. 11

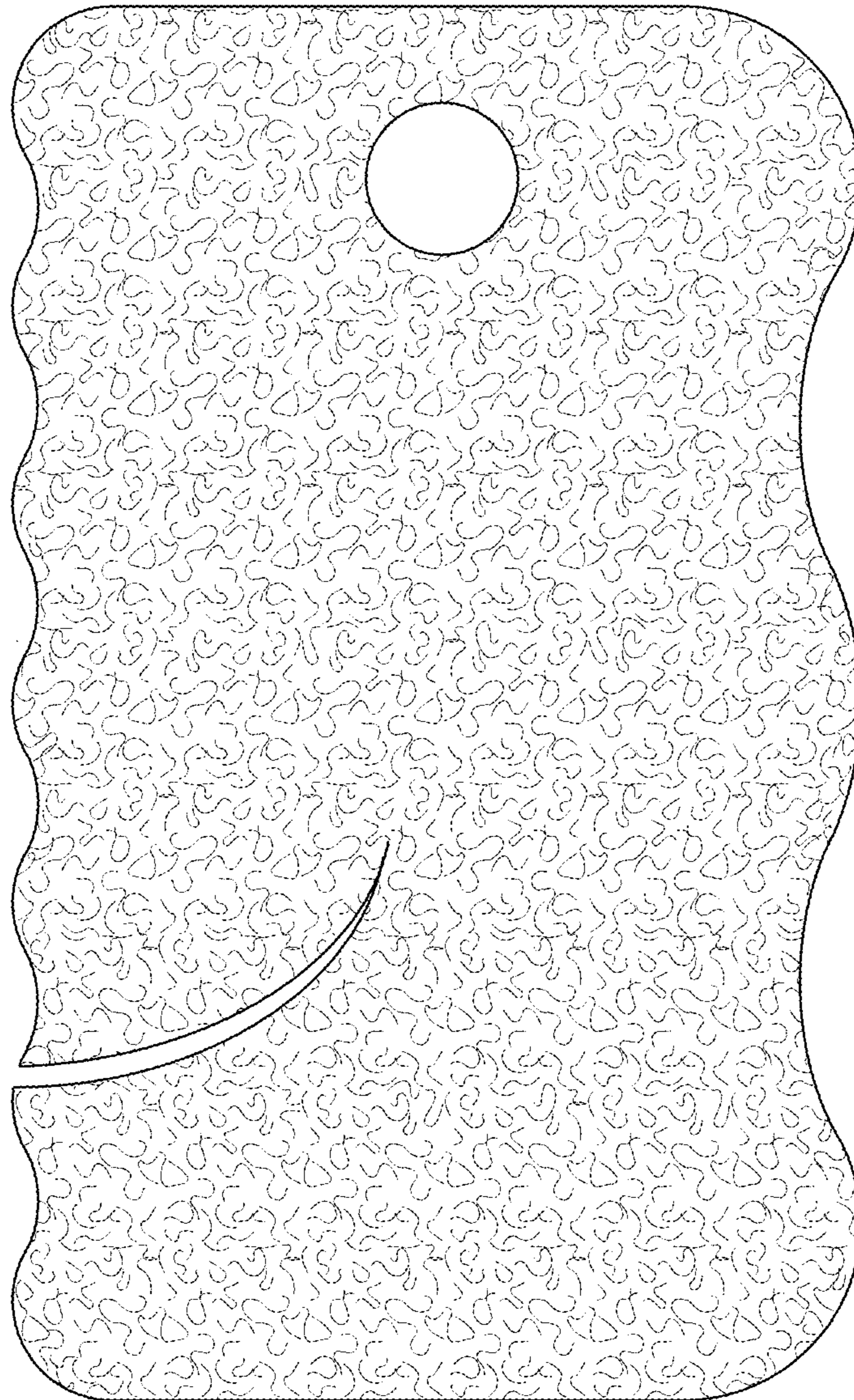


FIG. 12

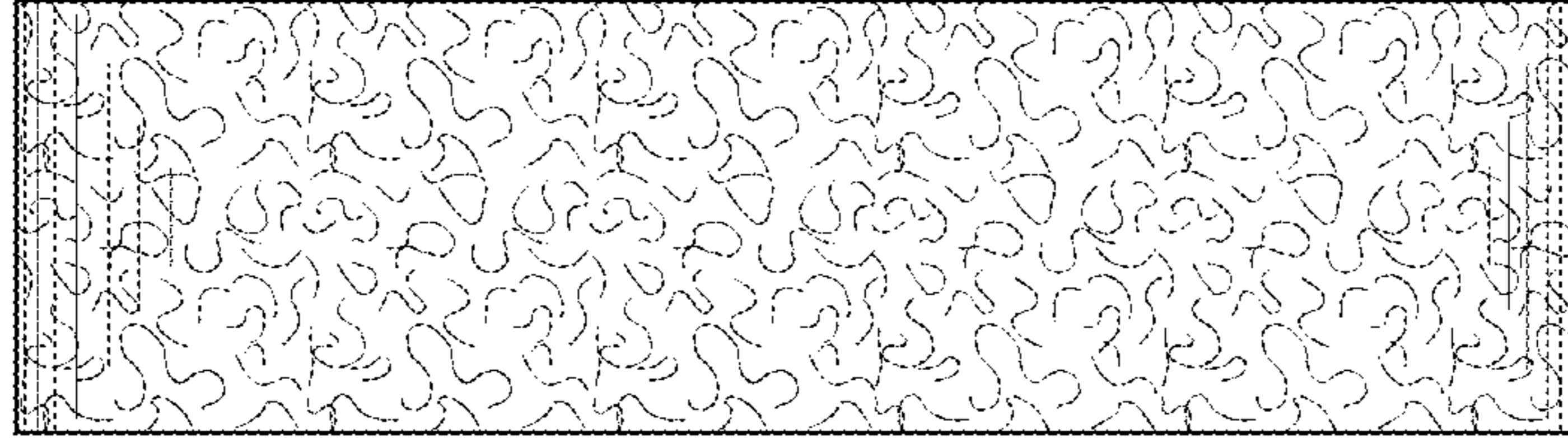


FIG. 13

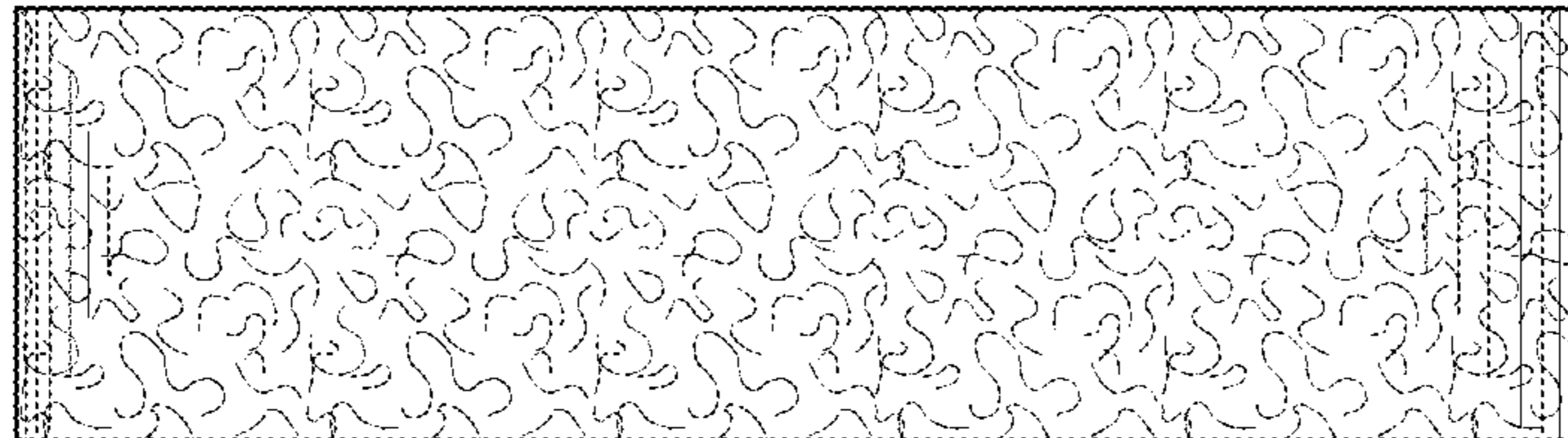


FIG. 14