



US00D923268S

(12) **United States Design Patent** (10) **Patent No.:** **US D923,268 S**
Reed et al. (45) **Date of Patent:** **** Jun. 22, 2021**

(54) **TOOL FOR A VACUUM CLEANER**
(71) Applicant: **Dyson Technology Limited**, Wiltshire (GB)
(72) Inventors: **Sarah Jayne Reed**, London (GB);
Charles Franklin Gale, Bristol (GB)
(73) Assignee: **Dyson Technology Limited**, Malmesbury (GB)
(**) Term: **15 Years**

5,652,997 A * 8/1997 Na A47L 9/06
15/373
D483,534 S * 12/2003 Nelson D32/25
D509,332 S * 9/2005 White D32/32
D526,102 S * 8/2006 Adams D32/32
D666,373 S * 8/2012 Eden D32/32
D688,014 S * 8/2013 Santiago D32/32
D725,856 S * 3/2015 Schultz D32/32
D767,225 S * 9/2016 Cole D32/32
D785,884 S * 5/2017 LaBarbera D32/32
D796,135 S * 8/2017 Yoon D32/32
D857,315 S * 8/2019 Chavana, Jr. D32/25
D863,702 S * 10/2019 Wordie D32/31
D895,916 S * 9/2020 Exley D32/33

(Continued)

(21) Appl. No.: **29/722,500**
(22) Filed: **Jan. 30, 2020**

(30) **Foreign Application Priority Data**

Jul. 31, 2019 (EM) 006658688-0001

(51) **LOC (13) Cl.** **15-05**

(52) **U.S. Cl.**
USPC **D32/32**

(58) **Field of Classification Search**
USPC D32/15, 17, 21, 25, 32, 33, 34, 42, 45,
D32/50

CPC E04H 4/1654; A47L 9/06; A47L 9/244;
A47L 9/02; A47L 9/248; A47L 9/068;
A47L 5/36; A47L 7/04; A47L 11/34;
B60S 3/008

See application file for complete search history.

(56) **References Cited**

U.S. PATENT DOCUMENTS

D147,125 S * 7/1947 Harvuot D32/32
D158,774 S * 5/1950 Lippincott D32/32
2,679,068 A * 5/1954 Wied A47L 9/06
15/374
D200,093 S * 1/1965 Frost D32/32
D290,418 S * 6/1987 Strohmeyer D32/32
D375,822 S * 11/1996 Lessig, III D32/15
5,613,272 A * 3/1997 Huffman A47L 11/34
15/321

OTHER PUBLICATIONS

<https://www.ezvacuum.com/slim-crevice-tool-attachment-for-dyson-v8-cordless-vacuum-cleaner.html> (Year: 2020).*

Primary Examiner — Michelle E. Wilson
Assistant Examiner — Richard E Yenchesky
(74) *Attorney, Agent, or Firm* — Morrison & Foerster LLP

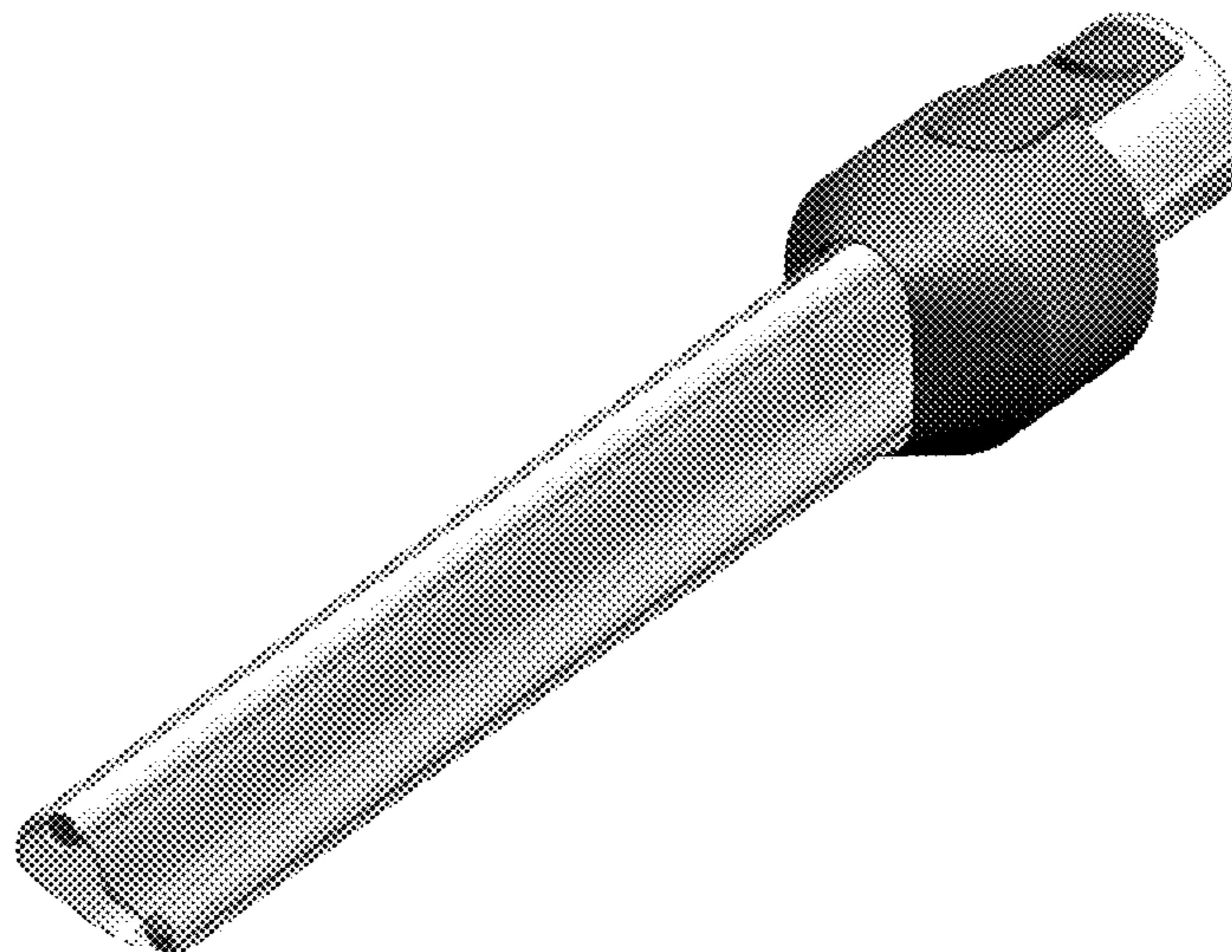
(57) **CLAIM**

We claim the ornamental design for a tool for a vacuum cleaner, as shown and described.

DESCRIPTION

FIG. 1 is a front perspective view of a tool for a vacuum cleaner showing our new design;
FIG. 2 is a front view thereof;
FIG. 3 is a rear view thereof;
FIG. 4 is a top view thereof;
FIG. 5 is a bottom view thereof;
FIG. 6 is a side view thereof; and,
FIG. 7 is a cross section view thereof.
The view opposite the side view of FIG. 6 is a mirror image thereof, and therefore, is omitted.

1 Claim, 7 Drawing Sheets



(56)

References Cited

U.S. PATENT DOCUMENTS

2007/0169289 A1* 7/2007 Hanvey E04H 4/1654
15/1.7
2007/0209154 A1* 9/2007 Griffith A47L 7/04
15/415.1
2010/0170060 A1* 7/2010 Eccardt A47L 5/36
15/415.1
2010/0306960 A1* 12/2010 Jonsson A47L 9/244
15/414
2012/0054979 A1* 3/2012 Dant A47L 9/068
15/347
2012/0175868 A1* 7/2012 Welchert A47L 9/248
285/7
2019/0239706 A1* 8/2019 Carter B60S 3/008
2019/0239708 A1* 8/2019 Carter A47L 9/02

* cited by examiner



FIG. 1



FIG. 2

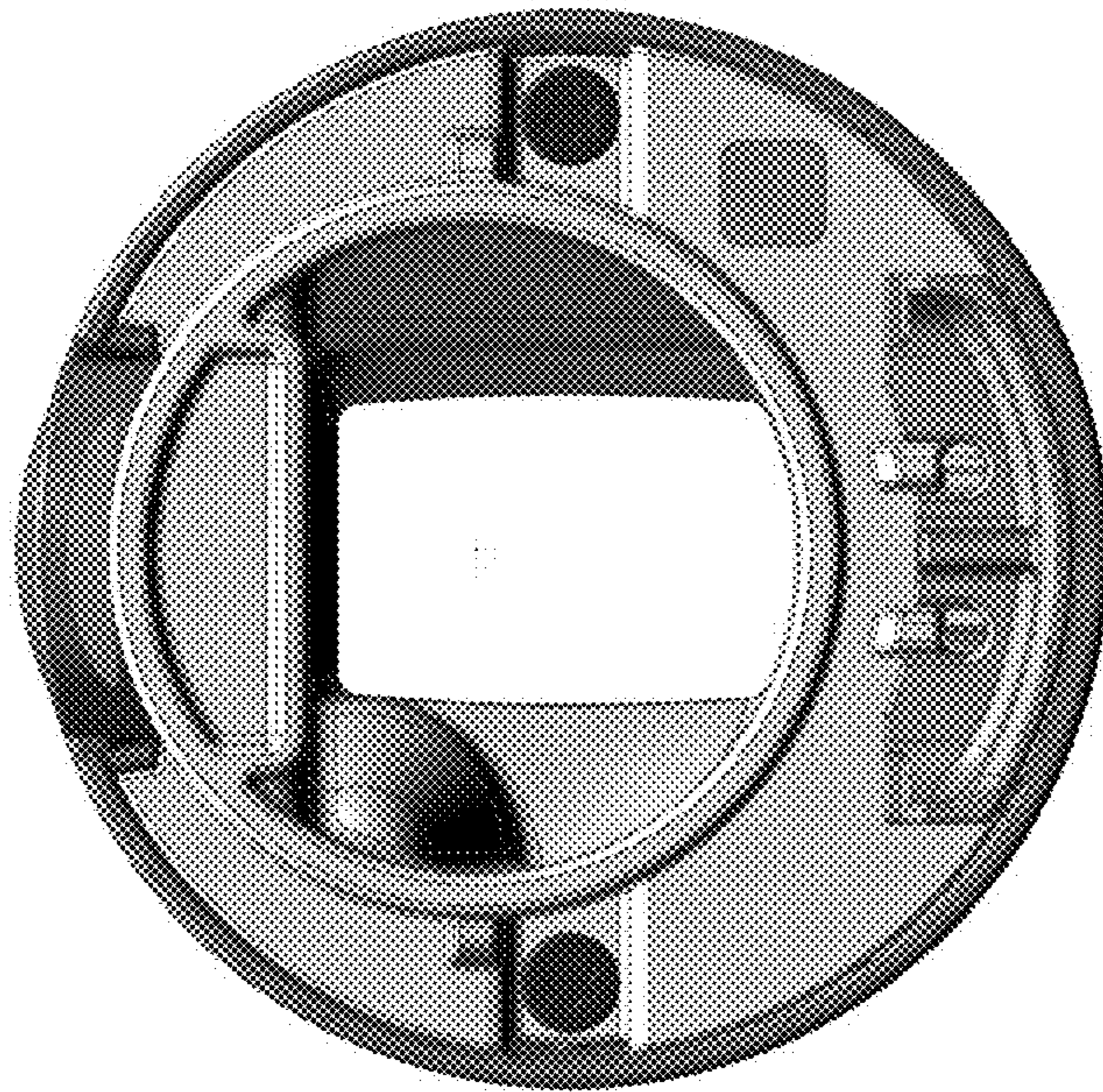


FIG. 3

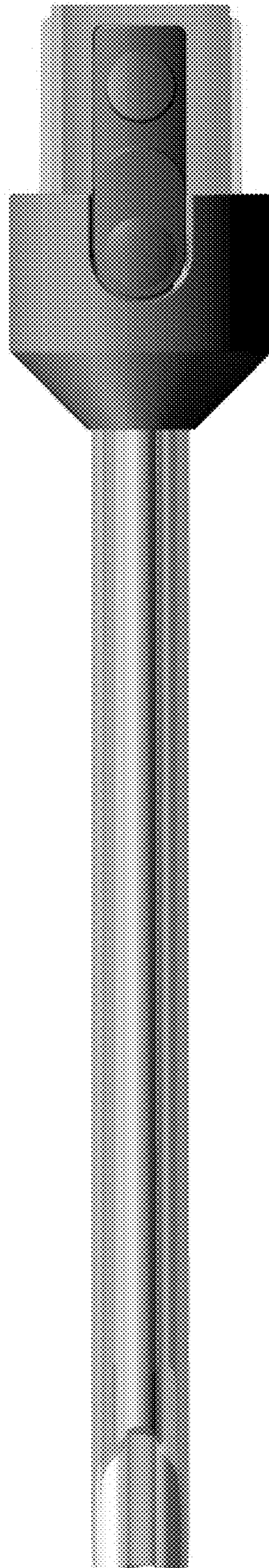


FIG. 4

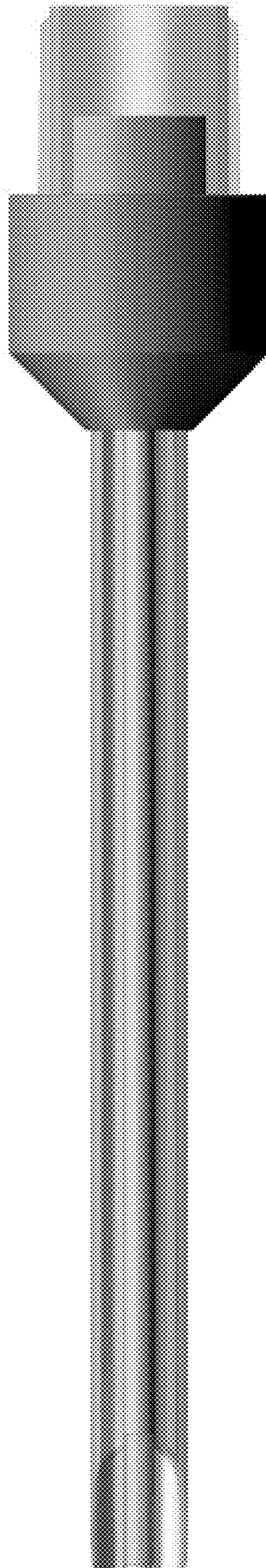


FIG. 5

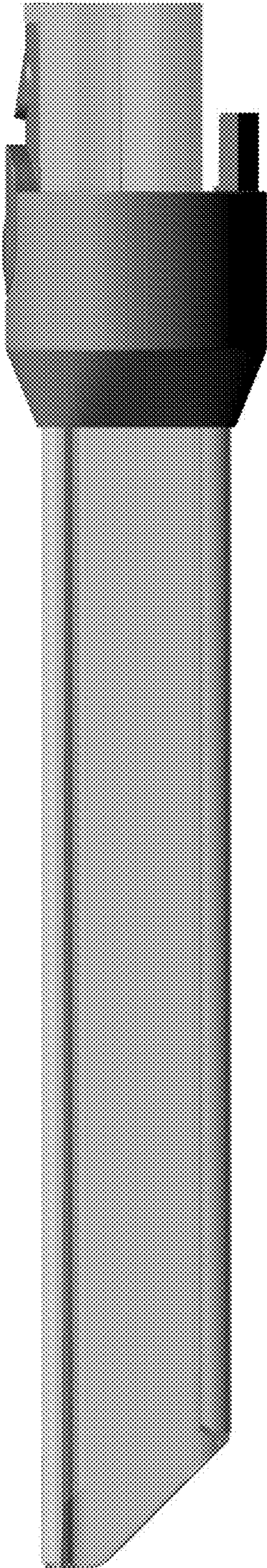


FIG. 6



FIG. 7