



US00D923262S

(12) **United States Design Patent**
Li

(10) **Patent No.:** **US D923,262 S**

(45) **Date of Patent:** **** Jun. 22, 2021**

- (54) **STEAM IRONING MACHINE**
- (71) Applicant: **Youjiang Li**, Guangdong (CN)
- (72) Inventor: **Youjiang Li**, Guangdong (CN)
- (**) Term: **15 Years**
- (21) Appl. No.: **29/718,652**
- (22) Filed: **Dec. 27, 2019**
- (51) **LOC (13) Cl.** **15-05**
- (52) **U.S. Cl.**
USPC **D32/17**
- (58) **Field of Classification Search**
USPC D32/17, 18, 31, 35
CPC D06M 11/34; D06F 87/00; D06F 75/30;
D06F 75/20; D06F 73/00; D06F 75/26;
D06F 75/16; A61F 9/0026; B08B 9/00;
B08B 3/00; A61L 2/07; F16L 37/40
See application file for complete search history.

- 6,275,653 B1 * 8/2001 Montipo' B08B 9/00
392/405
- D465,309 S * 11/2002 Foersterling D32/35
- 6,513,269 B2 * 2/2003 Kobayashi D06F 75/20
38/93
- D473,987 S * 4/2003 Foersterling D32/35
- D481,183 S * 10/2003 Mangano D32/17
- 6,986,217 B2 * 1/2006 Leung D06F 73/00
38/77.83
- D516,759 S * 3/2006 Lam D32/17
- D587,866 S * 3/2009 Mangano D32/17
- D592,366 S * 5/2009 Mangano D32/17
- D598,614 S * 8/2009 Lam D32/17
- 7,661,212 B2 * 2/2010 Hahn D06F 75/20
38/81

(Continued)

OTHER PUBLICATIONS

Steamer for clothes <https://www.amazon.com/Steamer-Clothes-Handheld-Capacity-Clothing/dp/B089QT4NSV> (Year: 2020).*

(Continued)

Primary Examiner — Michelle E. Wilson
Assistant Examiner — Richard E Yenchesky

(56) **References Cited**

U.S. PATENT DOCUMENTS

- D150,177 S * 7/1948 Terrailon D32/17
- D207,632 S * 5/1967 Anderson D32/17
- D219,751 S * 1/1971 Osrow D32/17
- D221,992 S * 9/1971 Bluestein D32/17
- 3,620,055 A * 11/1971 Blachly D06F 75/30
68/222
- 3,654,780 A * 4/1972 Frank D06F 87/00
68/222
- D229,016 S * 11/1973 Plasko D32/17
- D232,802 S * 9/1974 Steinkamp D32/17
- D233,209 S * 10/1974 Terrailon D32/17
- 3,969,607 A * 7/1976 Osrow D06F 87/00
392/335
- 4,206,340 A * 6/1980 Osrow D06F 75/16
219/245
- D287,892 S * 1/1987 Rosa D32/17
- D388,562 S * 12/1997 Doria D32/17
- D421,670 S * 3/2000 Schupp D32/17

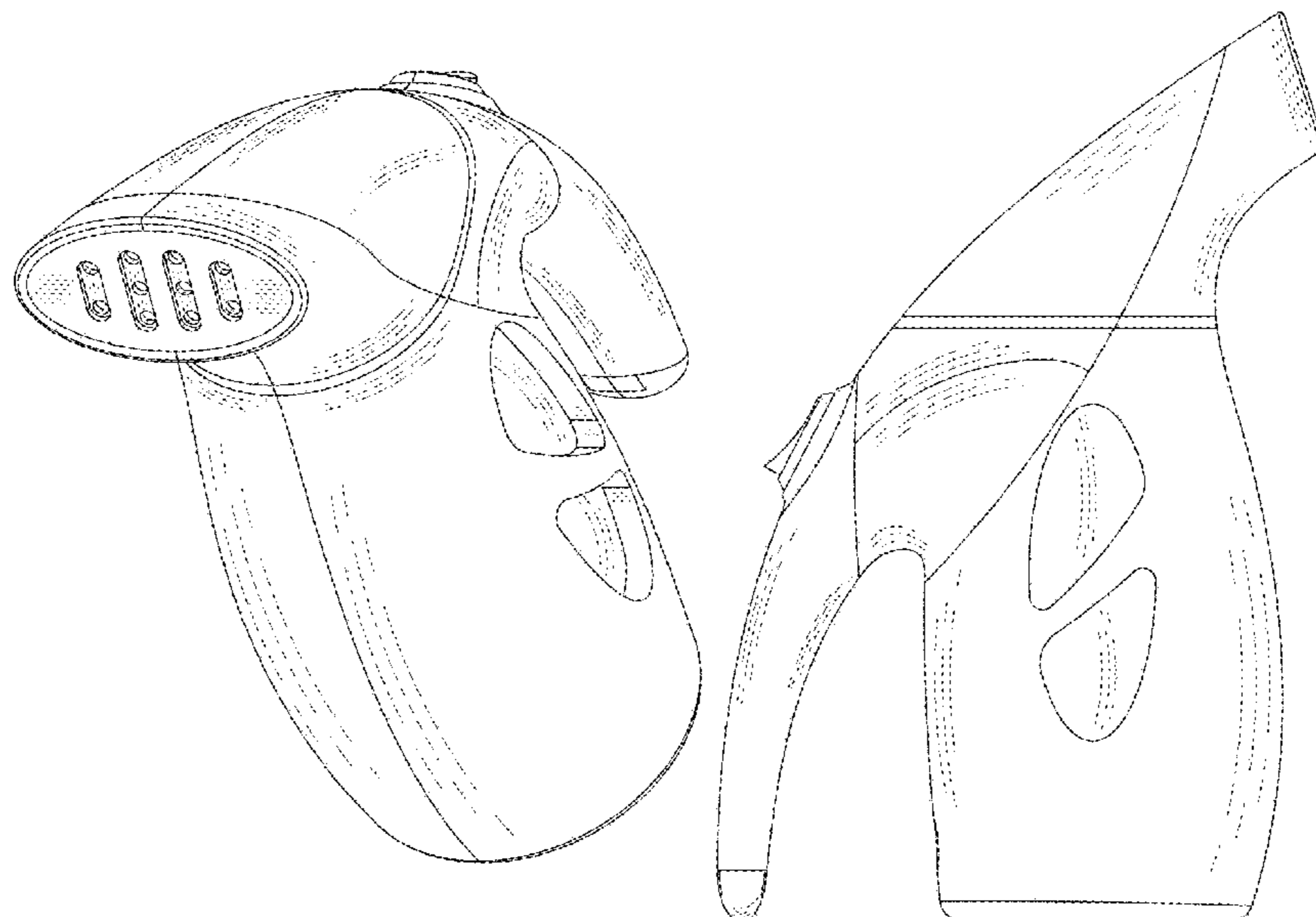
(57) **CLAIM**

The ornamental design for a steam ironing machine, as shown and described.

DESCRIPTION

FIG. 1 is a perspective view of a steam ironing machine showing my new design;
FIG. 2 is a front elevation view thereof;
FIG. 3 is a rear elevation view thereof;
FIG. 4 is a left side elevation view thereof;
FIG. 5 is a right side elevation view thereof;
FIG. 6 is a top plan view thereof; and,
FIG. 7 is a bottom plan view thereof.

1 Claim, 7 Drawing Sheets



(56)

References Cited

U.S. PATENT DOCUMENTS

D611,208 S * 3/2010 Lam D32/17
 7,721,474 B2 * 5/2010 Jiang D06F 75/26
 38/77.7
 D620,208 S * 7/2010 Mangano D32/17
 D620,651 S * 7/2010 Enervold D32/17
 D623,363 S * 9/2010 Ediger D32/17
 D634,493 S * 3/2011 Breit D32/17
 D648,494 S * 11/2011 Vrdoljak D32/17
 D674,564 S * 1/2013 Mangano D32/17
 D707,902 S * 6/2014 Mangano D32/17
 D716,007 S * 10/2014 Mangano D32/17
 D725,326 S * 3/2015 Spencer D32/17
 D734,575 S * 7/2015 Zeng D32/18
 D753,354 S * 4/2016 Casini D32/17
 D771,331 S * 11/2016 Chaklos D32/17
 D820,540 S * 6/2018 Cartwright D32/31
 D821,668 S * 6/2018 Cartwright D32/31

D844,263 S * 3/2019 Ediger D32/17
 2005/0125934 A1 * 6/2005 Reese F16L 37/40
 15/320
 2008/0022480 A1 * 1/2008 Lee B08B 3/00
 15/320
 2010/0024492 A1 * 2/2010 Leung D06F 73/00
 68/222
 2010/0269287 A1 * 10/2010 Vrdoljak A61L 2/07
 15/322
 2018/0200106 A1 * 7/2018 Zoumalan A61F 9/0026
 2020/0362505 A1 * 11/2020 Razouki D06M 11/34

OTHER PUBLICATIONS

Portable Garment Steamer https://www.amazon.com/Belita-Amy-Handheld-Portable-Auto-Off/dp/B08G1K3SL4/ref=zg_bs_3737831_50 (Year: 2019).*

* cited by examiner

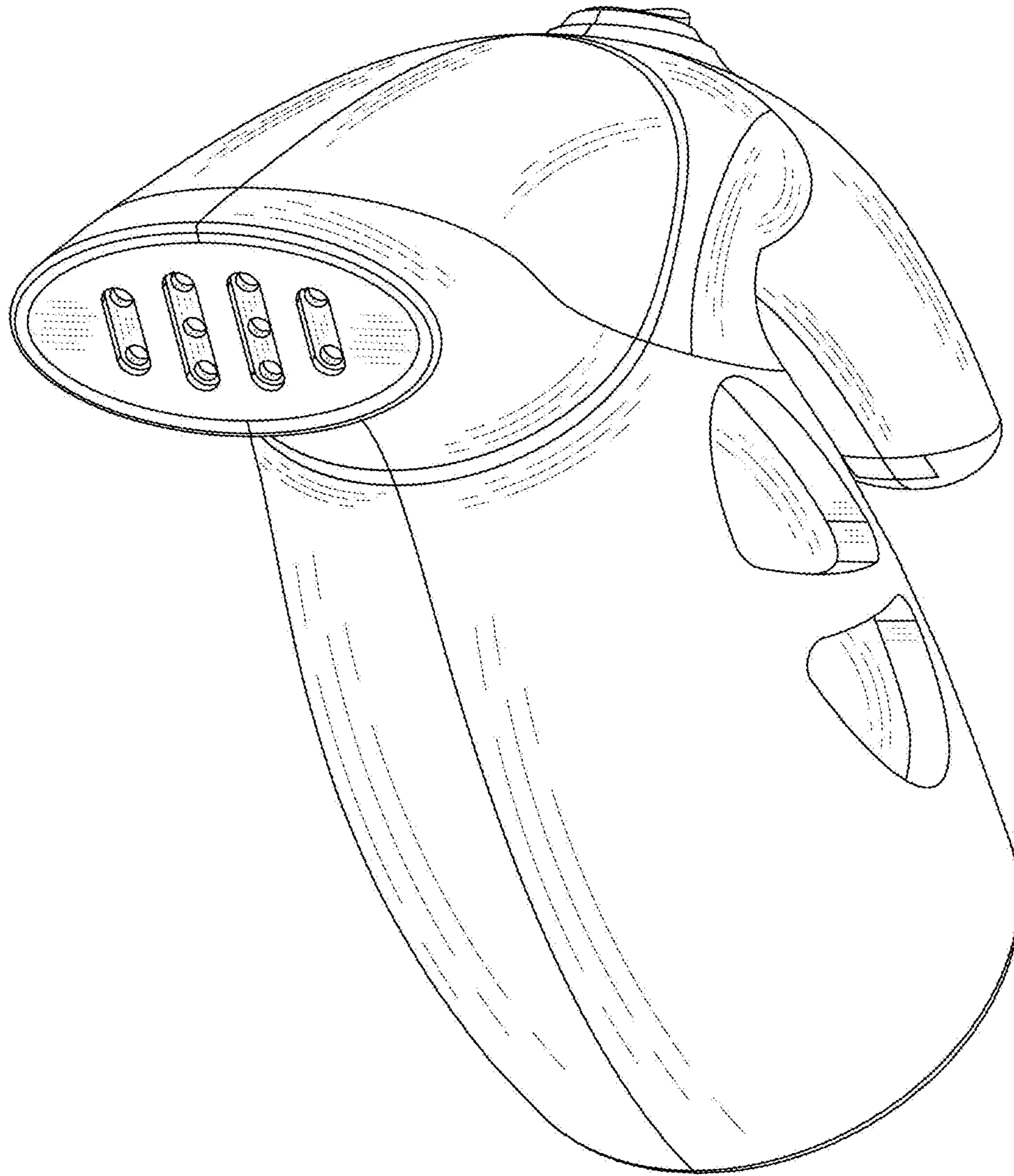


FIG.1

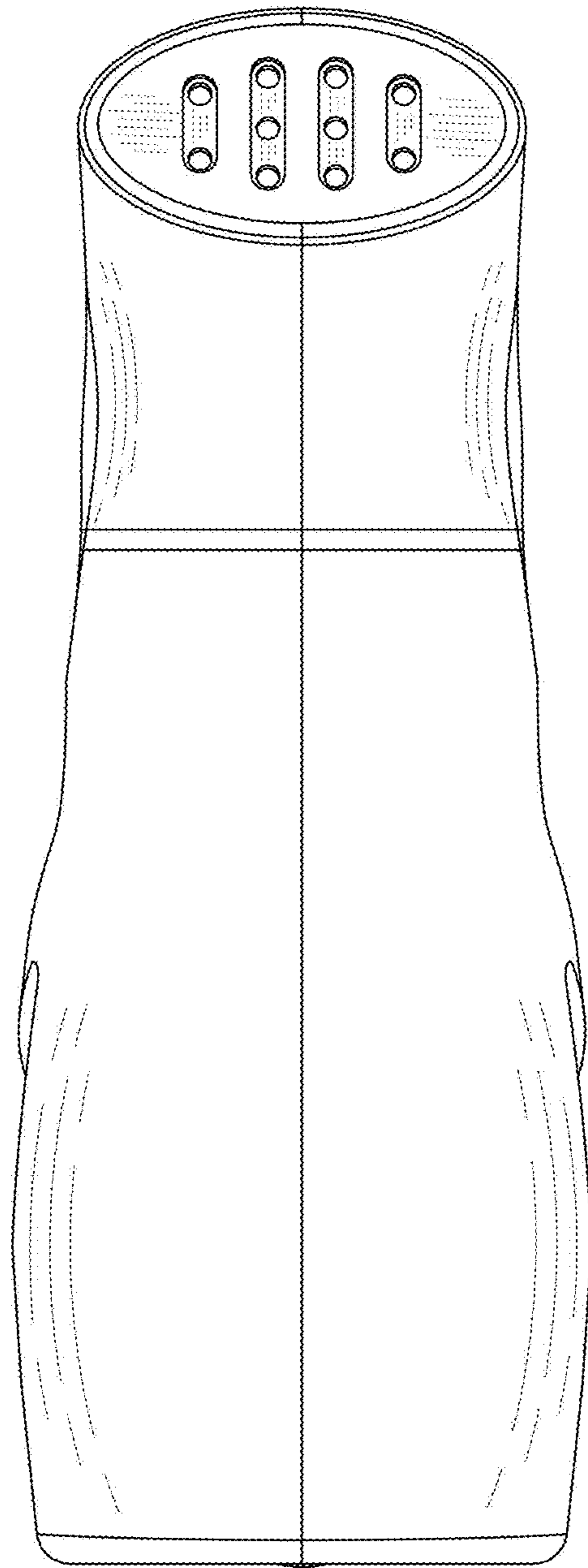


FIG.2

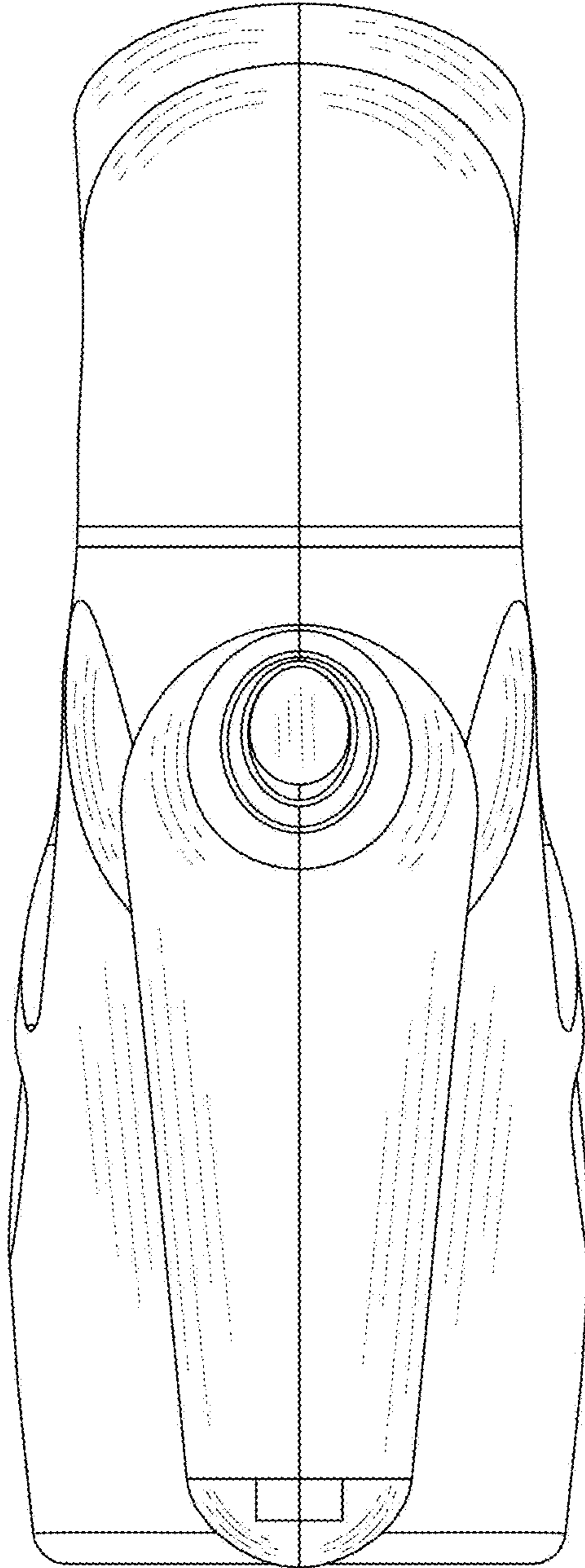


FIG.3



FIG.4



FIG.5

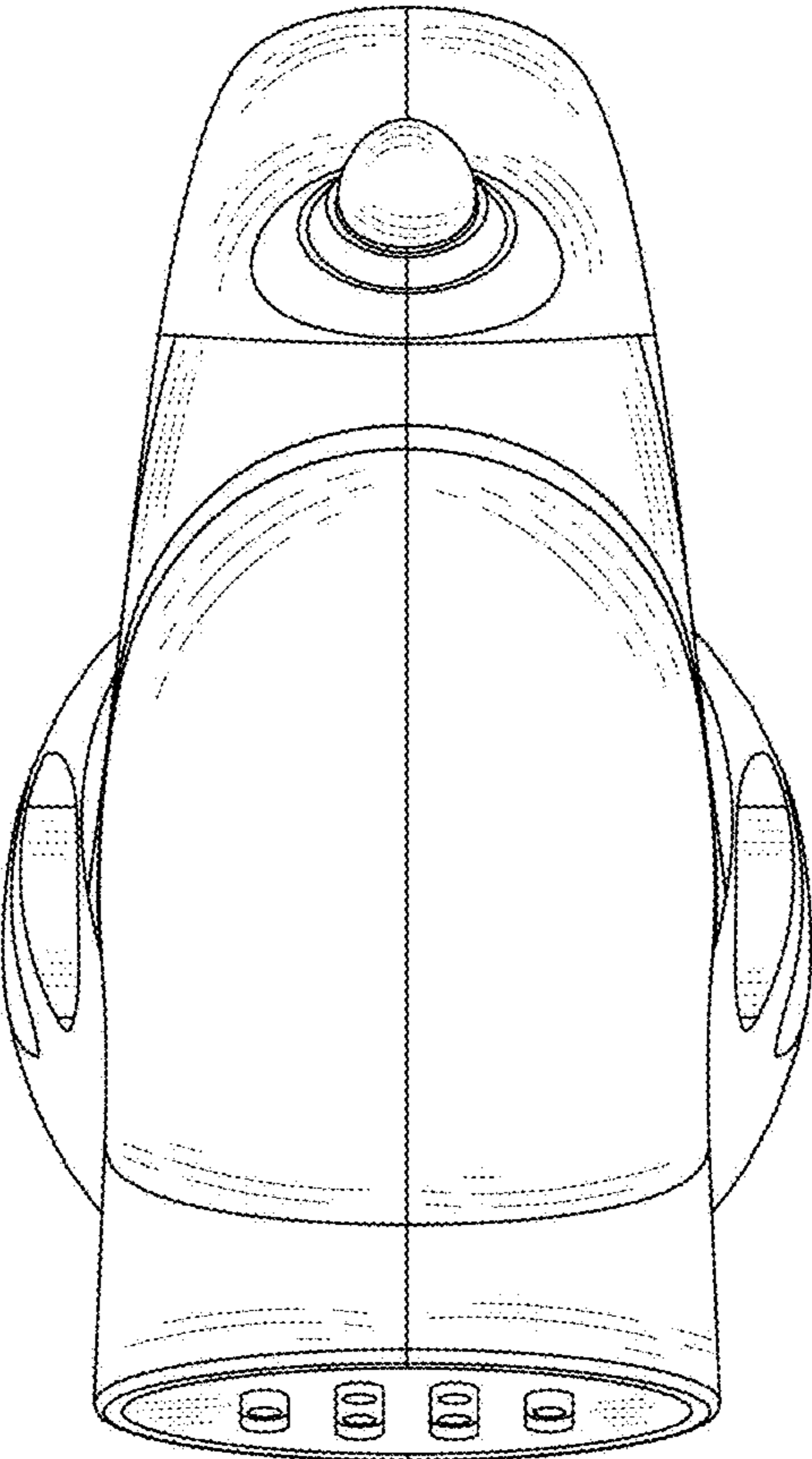


FIG.6

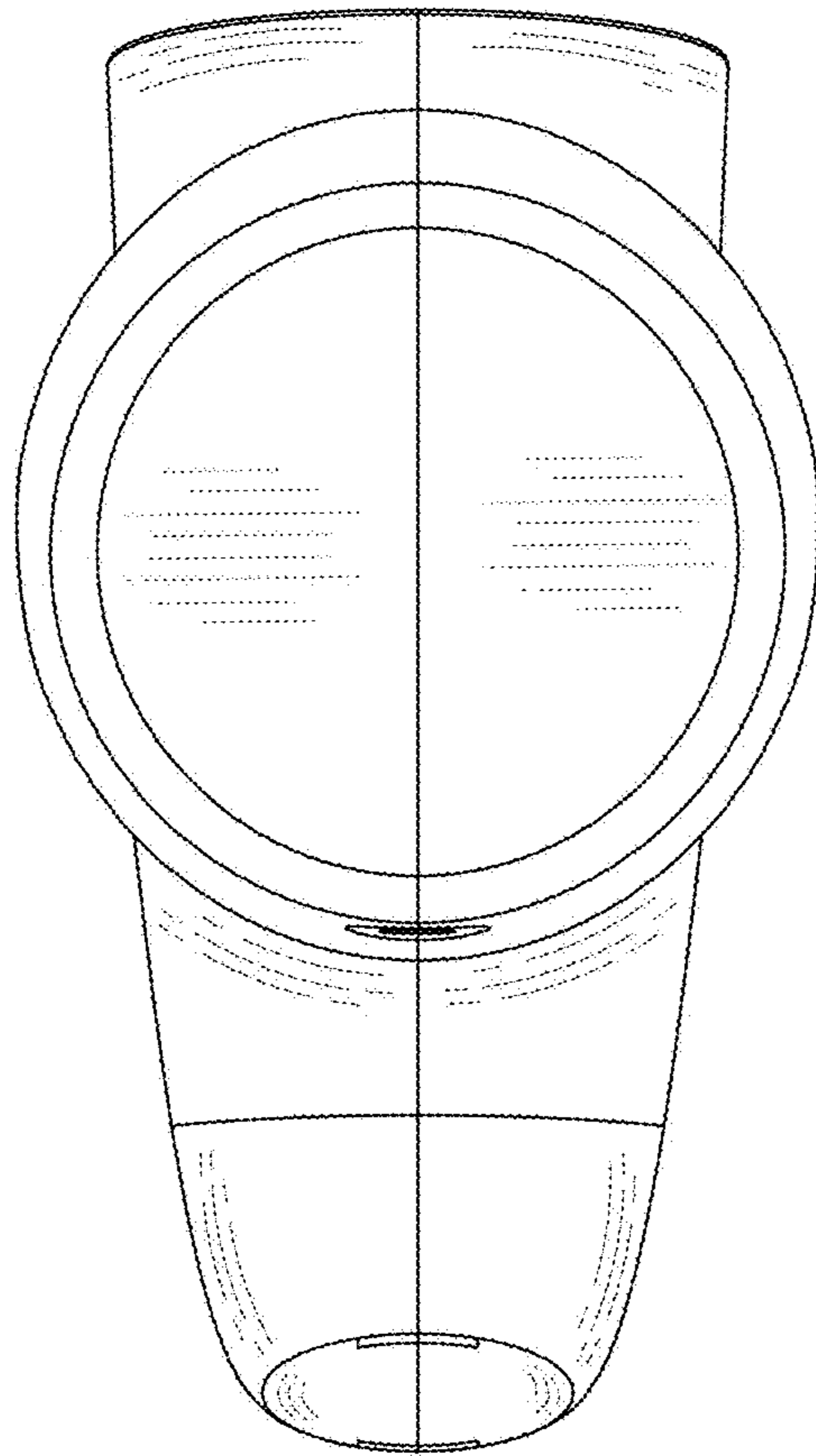


FIG. 7