



US00D923260S

(12) **United States Design Patent** (10) **Patent No.:** **US D923,260 S**  
**Accattato** (45) **Date of Patent:** **\*\* Jun. 22, 2021**

(54) **SPINNING BASKET FOR JEWELRY CLEANING DEVICE**  
(71) Applicant: **JEWELRY SPA HOT TUB INC.,**  
Nyack, NY (US)  
(72) Inventor: **Carlo Accattato,** New York, NY (US)  
(73) Assignee: **JEWELRY SPA HOT TUB INC.,**  
Nyack, NY (US)  
(\*\*) Term: **15 Years**  
(21) Appl. No.: **29/679,086**  
(22) Filed: **Feb. 1, 2019**  
(51) **LOC (13) Cl.** ..... **15-05**  
(52) **U.S. Cl.**  
USPC ..... **D32/1**  
(58) **Field of Classification Search**  
USPC ..... D32/2-3, 6, 8, 15-17, 25, 29.1, 30-35,  
D32/39, 54  
CPC ..... A47L 15/42; A47L 15/48; A47L 15/14;  
A47L 15/23; D06F 87/00; B08B 3/12;  
A46B 15/00  
See application file for complete search history.

D401,971 S \* 12/1998 Chang ..... D19/85  
D406,679 S \* 3/1999 DePalma ..... D32/29.1  
5,876,513 A 3/1999 Frankson  
6,076,538 A 6/2000 Frankson  
6,129,097 A 10/2000 Papandrea  
6,338,350 B1 1/2002 Ewen  
6,719,850 B2 4/2004 Glucksman et al.  
7,257,319 B1 8/2007 Clarke  
D566,770 S \* 4/2008 Cetera ..... D19/77  
7,367,078 B2 \* 5/2008 Mameletzi ..... A47L 17/04  
15/105  
7,448,398 B2 11/2008 Glucksman et al.  
D582,619 S \* 12/2008 Kong ..... D32/40  
D670,468 S \* 11/2012 Link ..... D32/29.1  
8,720,703 B1 \* 5/2014 Pressler ..... A46B 17/02  
211/1.3  
9,067,462 B1 \* 6/2015 Pressler ..... A46B 17/02  
9,339,852 B1 5/2016 Campbell  
9,365,809 B1 6/2016 Maiuri  
D797,388 S \* 9/2017 Kim ..... D32/29.1

(Continued)

*Primary Examiner* — John R Yeh  
(74) *Attorney, Agent, or Firm* — Nolte Lackenbach  
Siegel; Myron Greenspan

(57) **CLAIM**

I claim the ornamental design for a spinning basket for jewelry cleaning device, as shown and described.

**DESCRIPTION**

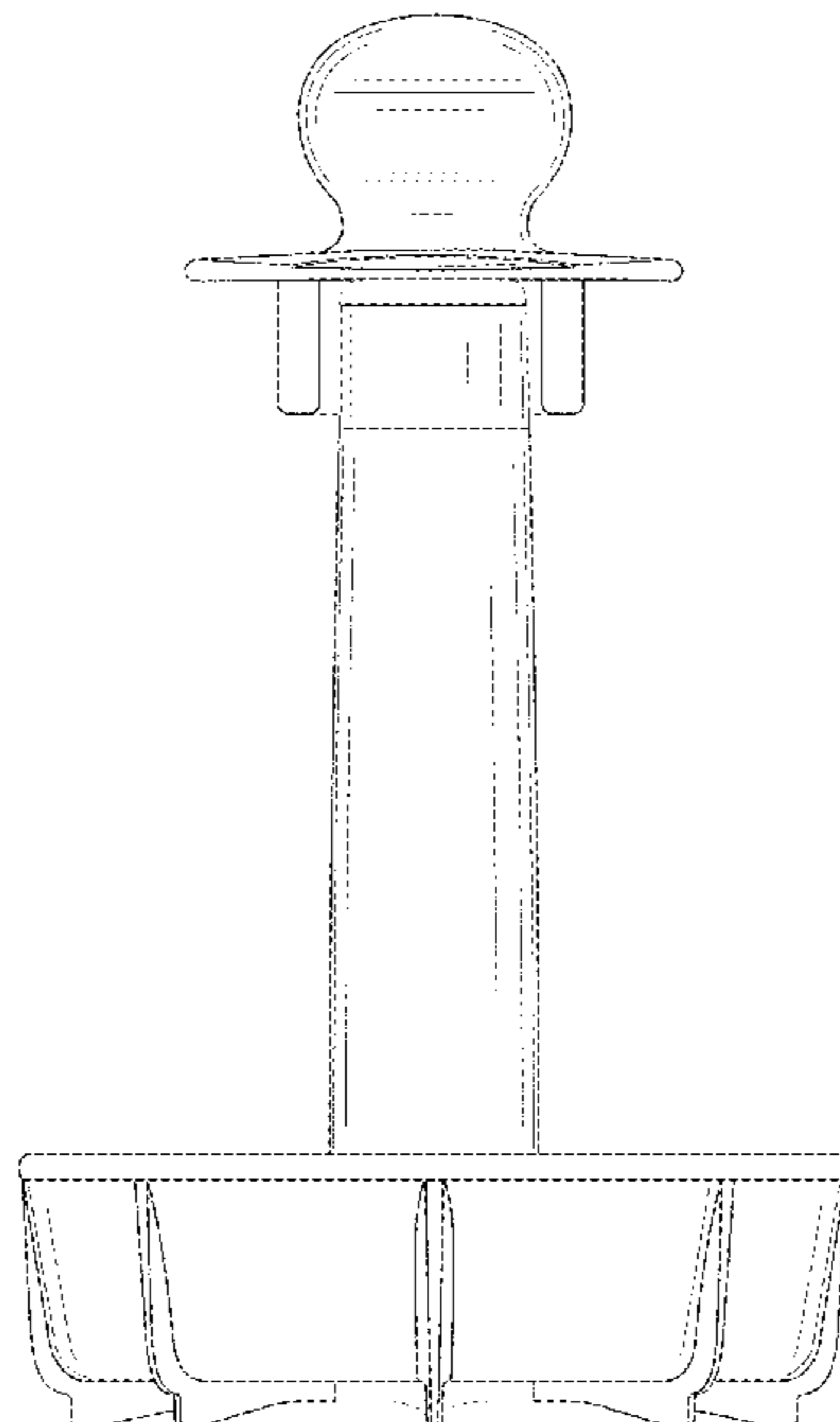
FIG. 1 is a front elevational view of a spinning basket for jewelry cleaning device showing my new design; FIG. 2 is a right side elevational view thereof, the left side elevational view thereof being identical thereto; FIG. 3 is a top plan view thereof; and, FIG. 4 is a bottom plan view thereof. The broke lines in the figures illustrate portions of the spinning basket for jewelry cleaning device that form no part of the claimed design.

**1 Claim, 4 Drawing Sheets**

(56) **References Cited**

**U.S. PATENT DOCUMENTS**

1,732,314 A \* 10/1929 OberWegner ..... D06F 5/00  
294/23.5  
2,141,713 A 12/1938 Hensler et al.  
D223,337 S \* 4/1972 Kuchar ..... D32/29.1  
D272,290 S \* 1/1984 Wilson ..... D32/51  
D304,512 S \* 11/1989 Byers ..... D32/35  
4,941,490 A 7/1990 Gross  
5,209,784 A 5/1993 Bellman  
D346,890 S \* 5/1994 Panesar ..... D32/29.1  
D361,176 S \* 8/1995 Schoenke ..... D32/29.1  
5,734,996 A \* 4/1998 Lee ..... E03D 9/037  
137/433



(56)

**References Cited**

U.S. PATENT DOCUMENTS

D797,389 S \* 9/2017 Kim ..... D32/29.1  
D800,402 S \* 10/2017 Ha ..... D32/29.1  
D818,229 S \* 5/2018 Ha ..... D32/29.1  
D832,539 S \* 10/2018 Baird ..... D32/29.1  
10,306,976 B2 \* 6/2019 Ranucci ..... A46B 17/08  
2004/0040586 A1 3/2004 Kumar  
2004/0226961 A1 \* 11/2004 Mehus ..... B01F 1/0027  
222/77  
2005/0159326 A1 7/2005 Hollingsworth  
2010/0186780 A1 7/2010 Larocca et al.  
2013/0306111 A1 11/2013 Myers  
2017/0174539 A1 \* 6/2017 Inagaki ..... C25B 9/06  
2019/0241422 A1 \* 8/2019 Lee ..... D06F 39/02

\* cited by examiner

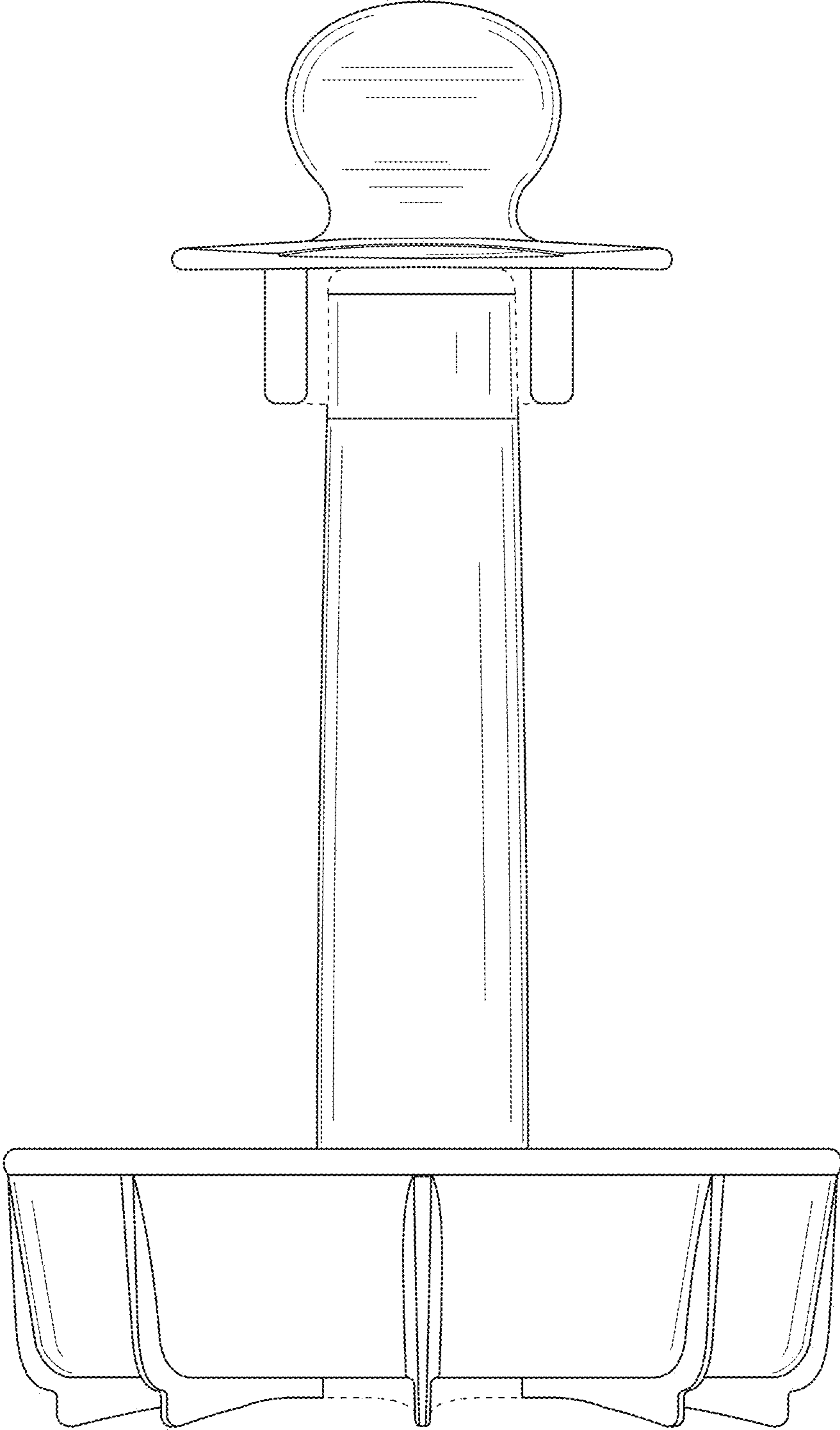


FIG. 1

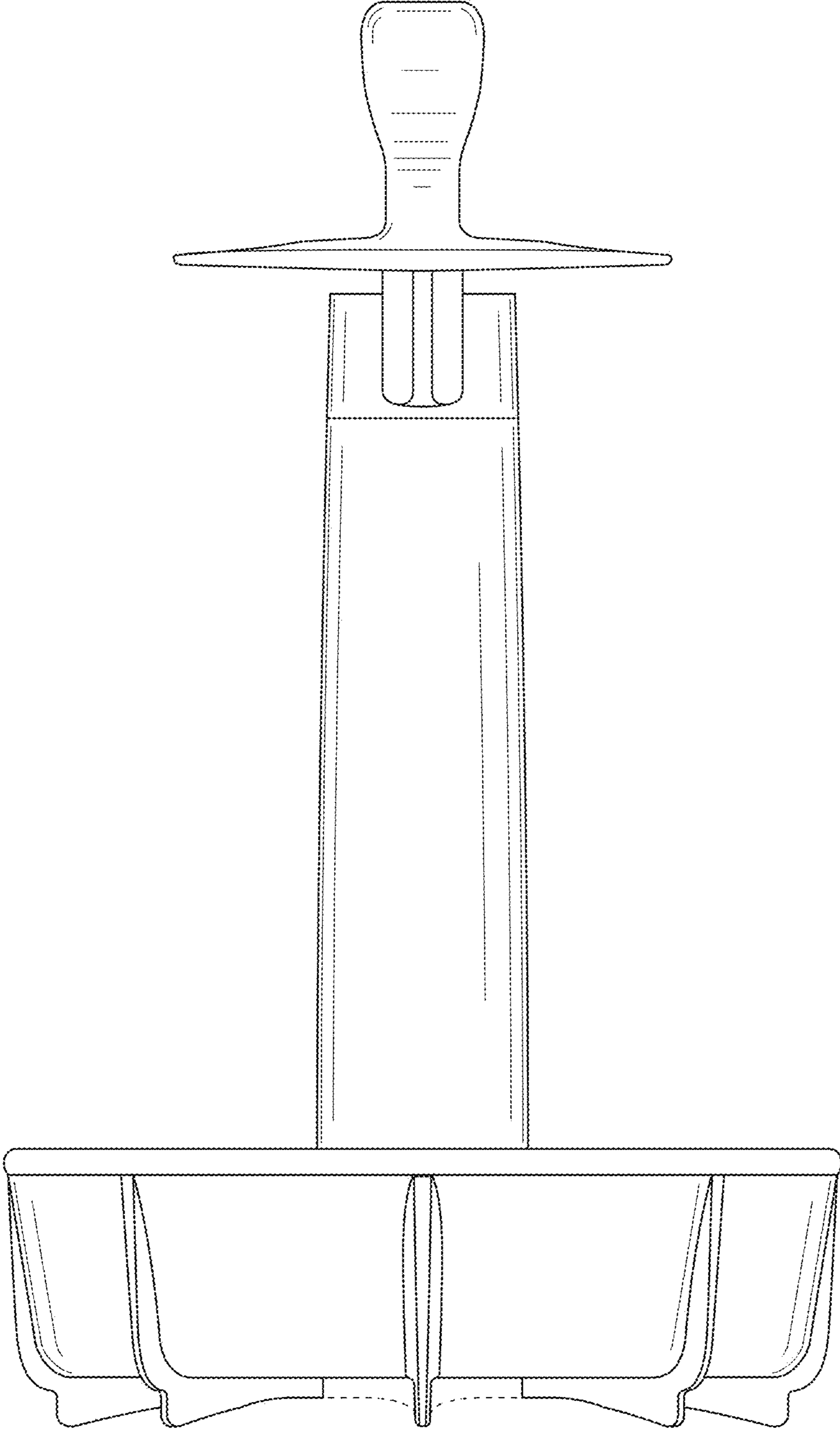


FIG. 2

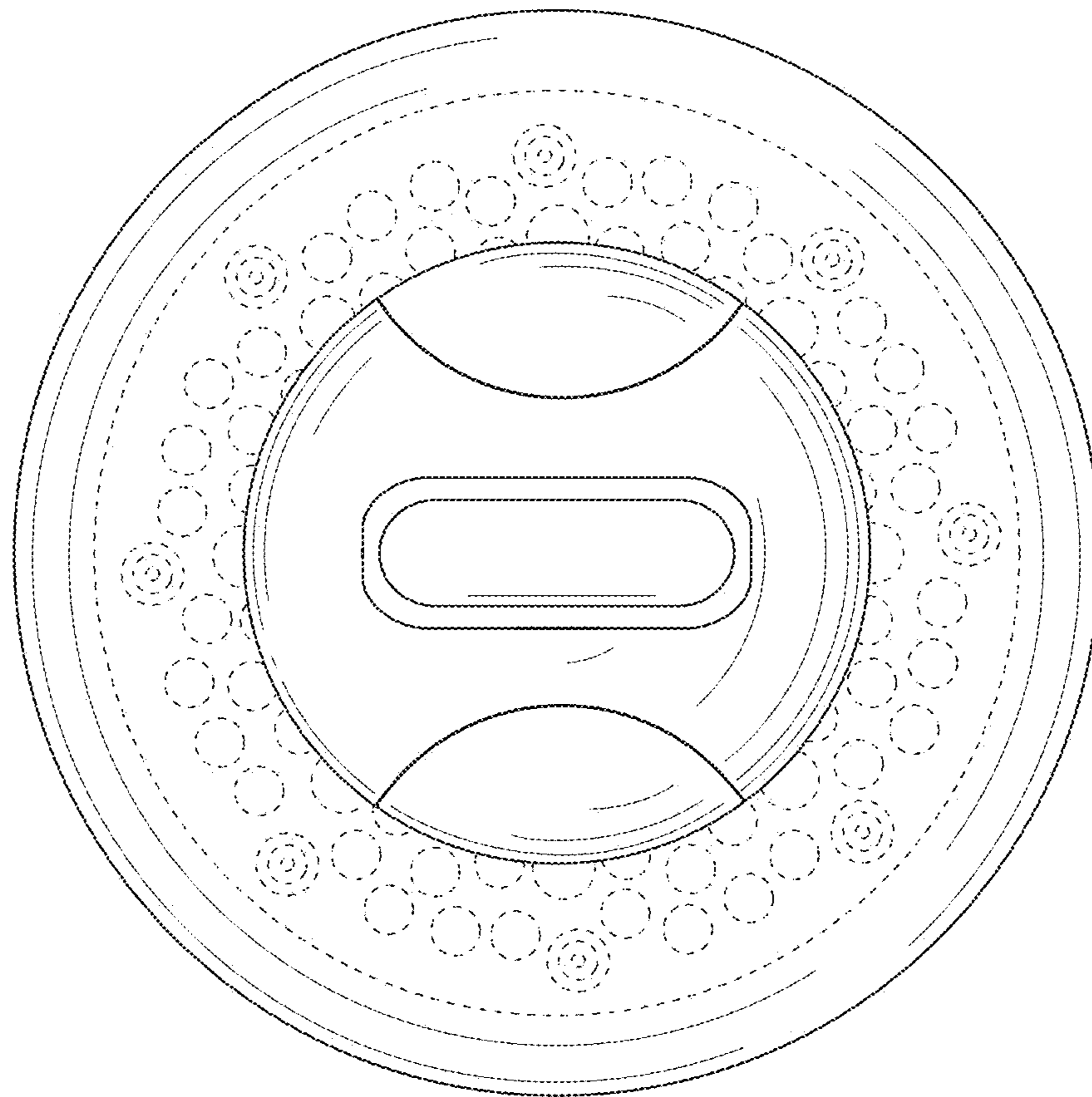


FIG. 3

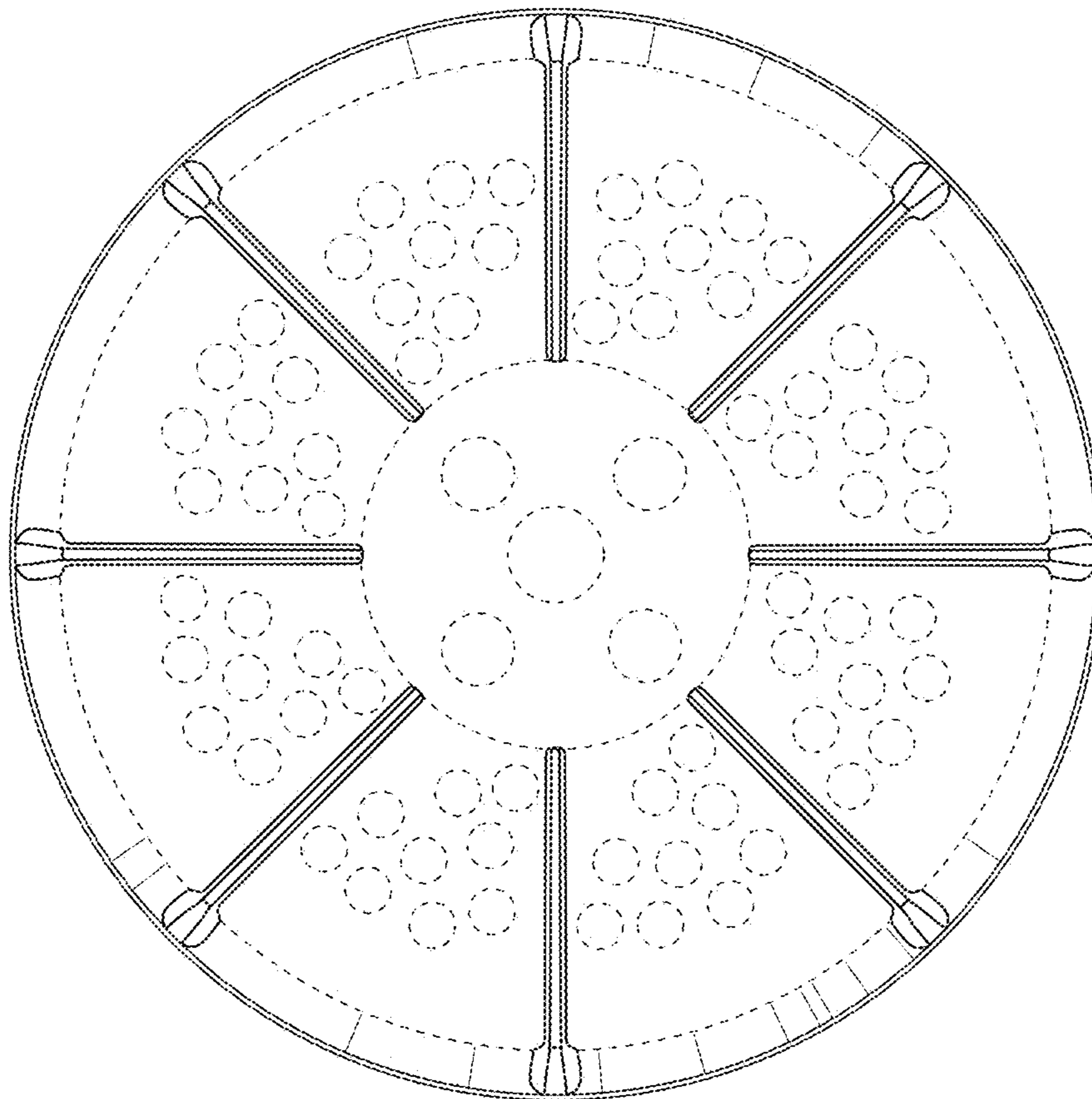


FIG. 4