



US00D923259S

(12) **United States Design Patent**  
**Chen**

(10) **Patent No.:** **US D923,259 S**

(45) **Date of Patent:** **\*\* Jun. 22, 2021**

(54) **PET HAIR BRUSH**

(71) Applicant: **Lin Chen**, Putian (CN)

(72) Inventor: **Lin Chen**, Putian (CN)

(\*\*) Term: **15 Years**

(21) Appl. No.: **29/768,357**

(22) Filed: **Jan. 28, 2021**

(51) **LOC (13) Cl.** ..... **30-99**

(52) **U.S. Cl.**  
USPC ..... **D30/159**

(58) **Field of Classification Search**

USPC ..... D4/132-138, 124-129, 116-119, 199,  
D4/194, 100-102, 122; D7/393, 395,  
D7/401.2; D8/107, 303, 14; D28/29, 10,  
D28/28, 30, 35, 37; 15/143.1, 159.1,  
15/160, 186-188, DIG. 5, 191.1, 192,  
15/193, 201, 207.2; 16/430; 132/119.1,  
132/120, 142, 313, 161, 121, 271, 219,  
132/141, 143-144, 137, 123-130, 901,  
132/270, 150-155, 147, 148, 139, 158,  
132/160, 149, 112-116, 213.1; D30/158,  
D30/159; 119/600, 612, 625, 633, 628,  
119/632, 631, 611, 601, 605, 606,  
119/613-620, 630; 30/114, 130, 301,  
30/305, 315, 316, 299, 303, 306, 169,  
30/322, 31, 30, 279.2, 280, 287, 294,  
30/199, 329-344, 346.56, 346.61, 355,  
30/357, 34.05; D14/435, 436; D19/9,  
D19/10, 120; D32/46, 41

CPC .... A46B 1/00; A46B 3/00; A46B 3/20; A46B  
3/22; A46B 5/0008; A46B 5/028; A46B  
5/00; A46B 5/02; A46B 5/021; A46B  
5/023; A46B 5/025; A46B 5/026; A46B  
9/00; A46B 9/005; A46B 9/02; A46B  
9/023; A46B 9/025; A46B 9/026; A46B  
2200/00; A46B 2200/10; A46B 2200/102;  
A46B 2200/104; A46B 2200/1093; A46D  
1/00; Y10S 15/05; A01K 13/00; A01K  
13/002; A01K 13/003; A45D 24/30;

A45D 24/00; A45D 24/04; A45D 24/10;  
A45D 24/36; A45D 24/02; A45D 24/08;  
A45D 24/42; A45D 24/44; A45D  
2024/002; B26B 19/24; B26B 19/063;  
B26B 21/16; B26B 21/18; B26B 21/521;  
B26B 21/4075; B26B 21/522; B26B  
21/12; B26B 21/125; B26B 1/08; A47L  
1/16

See application file for complete search history.

(56) **References Cited**

U.S. PATENT DOCUMENTS

D32,484 S \* 4/1900 Bowles ..... D32/46  
1,142,473 A \* 6/1915 Worns ..... A47L 13/08  
30/169  
D117,388 S \* 10/1939 Woinarovicz ..... D8/45  
D202,320 S \* 9/1965 Van Every, Jr. .... D28/31  
3,676,888 A \* 7/1972 Akers ..... B44D 3/105  
15/245  
D226,045 S \* 1/1973 Yran ..... D24/211  
D230,656 S \* 3/1974 Haffer ..... D28/25  
D233,586 S \* 11/1974 Kopp ..... D32/46

(Continued)

*Primary Examiner* — Susan Moon Lee

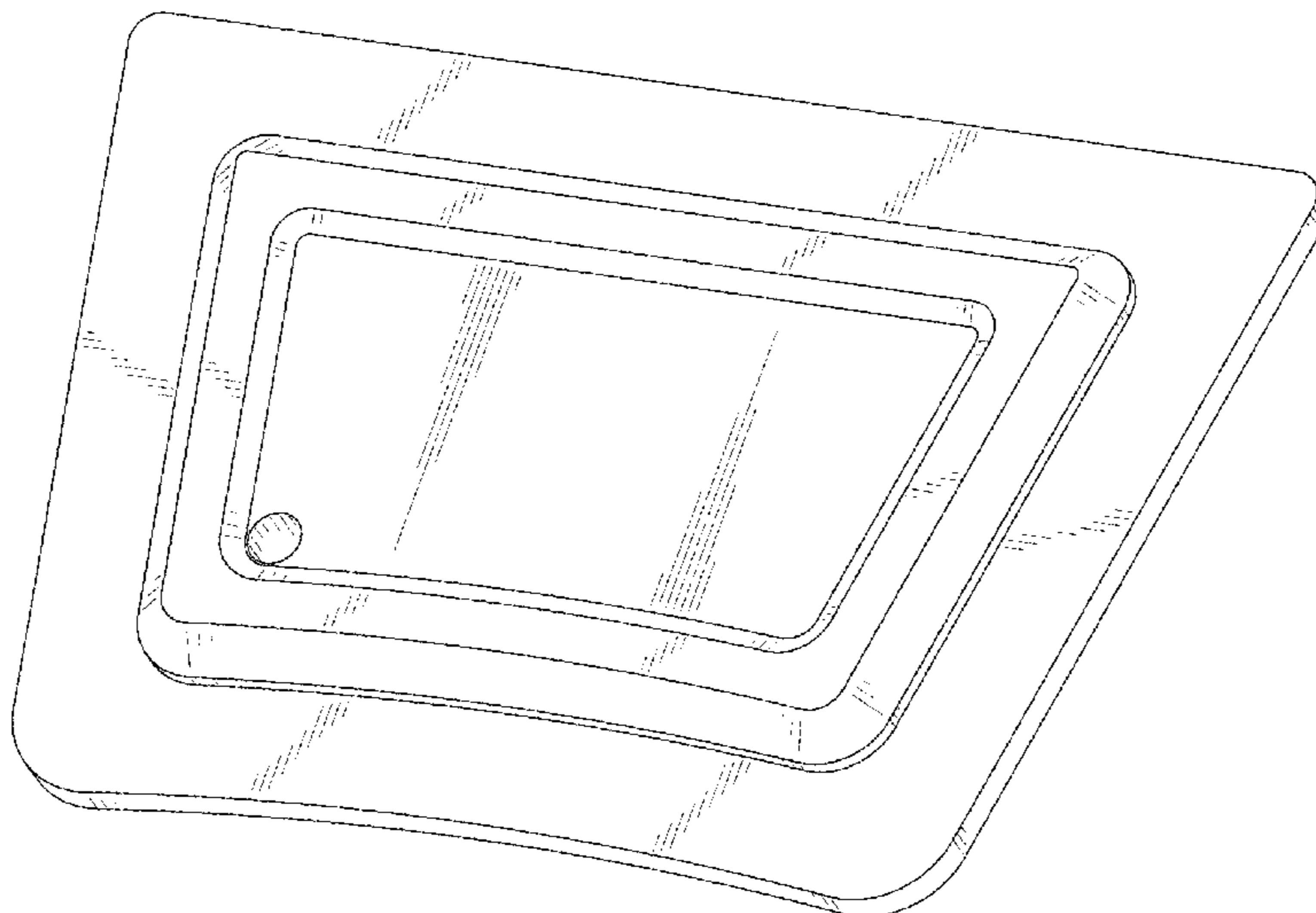
(57) **CLAIM**

The ornamental design for a pet hair brush, as shown and described.

**DESCRIPTION**

FIG. 1 is a perspective view of a pet hair brush showing my new design;  
FIG. 2 is another perspective view thereof;  
FIG. 3 is a front elevational view thereof;  
FIG. 4 is a rear elevational view thereof;  
FIG. 5 is a left side elevational view thereof;  
FIG. 6 is a right side elevational view thereof;  
FIG. 7 is a top plan view thereof; and,  
FIG. 8 is a bottom plan view thereof.

**1 Claim, 6 Drawing Sheets**



(56)

References Cited

U.S. PATENT DOCUMENTS

D241,603 S \* 9/1976 MacNeil ..... D7/691  
 D270,105 S \* 8/1983 Erickson ..... D32/42  
 D275,804 S \* 10/1984 Saferstein ..... D28/30  
 D276,564 S \* 11/1984 Leininger ..... D32/40  
 4,513,842 A \* 4/1985 Karlsberg ..... A45D 24/02  
 132/149  
 4,671,303 A \* 6/1987 Saferstein ..... A45D 24/30  
 119/625  
 4,784,598 A \* 11/1988 Kranz ..... B44D 3/105  
 15/105.5  
 D320,483 S \* 10/1991 Desautel ..... D32/46  
 D353,915 S \* 12/1994 Lanne ..... D28/31  
 5,467,499 A \* 11/1995 Blouin ..... A47L 17/06  
 15/236.01  
 5,520,202 A \* 5/1996 Arbree ..... A45C 11/008  
 132/148  
 D421,889 S \* 3/2000 Moore ..... D8/102  
 D426,758 S \* 6/2000 Mitchell ..... D32/46  
 D428,315 S \* 7/2000 Baker ..... D8/14  
 6,206,010 B1 \* 3/2001 Malki ..... A45D 24/00  
 132/102  
 6,223,801 B1 \* 5/2001 Mitchell ..... B44C 7/08  
 15/236.01  
 D450,412 S \* 11/2001 Hajduk ..... D32/41  
 D454,254 S \* 3/2002 Kellinger ..... D4/138  
 D470,981 S 2/2003 Simon  
 D473,546 S \* 4/2003 Hovanky ..... D14/217  
 D479,405 S \* 9/2003 Bressler ..... A47L 23/12  
 D4/121  
 D490,104 S \* 5/2004 Lubking ..... D19/10  
 D499,851 S \* 12/2004 Kortleven ..... D32/46  
 6,851,215 B2 \* 2/2005 Conrad ..... A01K 97/00  
 43/17.2  
 6,880,250 B1 \* 4/2005 Tamez ..... B43M 7/002  
 30/162  
 D506,069 S \* 6/2005 Woods ..... D4/127  
 D507,407 S \* 7/2005 Woods ..... D4/132

D507,682 S \* 7/2005 Dunn ..... D30/158  
 D514,763 S \* 2/2006 Lyall, III ..... D32/46  
 D515,119 S \* 2/2006 Jarosinski ..... D16/135  
 D521,740 S \* 5/2006 Pryor ..... D4/135  
 D522,052 S \* 5/2006 Lubking ..... D19/10  
 D527,529 S \* 9/2006 Ajluni ..... D4/129  
 D532,741 S \* 11/2006 Lin ..... D12/220  
 D557,333 S \* 12/2007 Giannola ..... D18/56  
 D567,056 S \* 4/2008 Lee ..... D8/102  
 D579,300 S \* 10/2008 Visconti ..... D8/102  
 D582,103 S \* 12/2008 Ragonetti ..... D30/158  
 D584,931 S \* 1/2009 Richardson ..... D8/19  
 D588,905 S \* 3/2009 Meeks ..... D8/400  
 D590,400 S \* 4/2009 Hoogerdijk ..... D14/436  
 7,658,371 B2 \* 2/2010 Deschryver ..... B31D 1/027  
 270/5.03  
 D623,190 S \* 9/2010 Trujillo ..... D14/436  
 D624,262 S \* 9/2010 Gringer ..... D32/46  
 8,555,463 B1 \* 10/2013 Laube ..... A47L 7/009  
 15/415.1  
 8,646,821 B2 \* 2/2014 Holcomb ..... A47J 43/288  
 294/180  
 D741,547 S \* 10/2015 Choi ..... D28/57  
 D758,741 S \* 6/2016 Sussman ..... D4/137  
 D759,328 S \* 6/2016 Cleere ..... D32/46  
 D761,510 S \* 7/2016 Vicari ..... D32/41  
 D764,127 S \* 8/2016 Vicari ..... D32/41  
 D799,132 S \* 10/2017 Kruger ..... D32/46  
 D819,287 S \* 5/2018 King ..... D32/46  
 10,131,062 B1 \* 11/2018 Dryfhout ..... B26B 21/523  
 D841,271 S \* 2/2019 Motsenbocker ..... D32/46  
 D845,004 S 4/2019 Khubani et al.  
 D848,230 S \* 5/2019 Valerie, Sr. .... D8/14  
 D850,745 S \* 6/2019 Stecik ..... D32/46  
 10,702,038 B2 \* 7/2020 Mitchell ..... B08B 1/001  
 D901,809 S \* 11/2020 De La Torre ..... D32/46  
 2006/0125168 A1 \* 6/2006 Romita ..... B41F 13/58  
 270/5.02  
 2018/0042358 A1 \* 2/2018 Wilson ..... A45D 24/10

\* cited by examiner

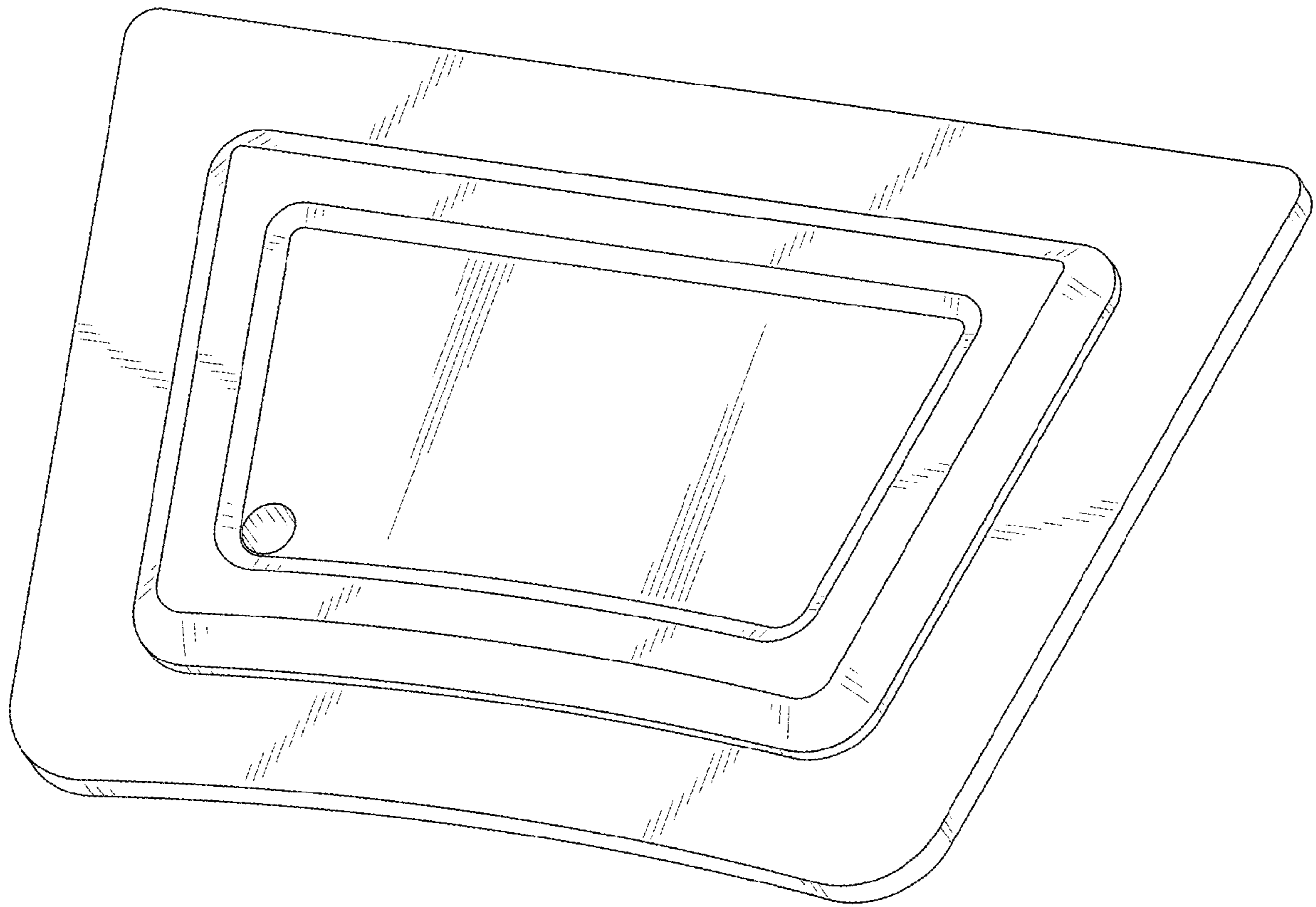


FIG. 1



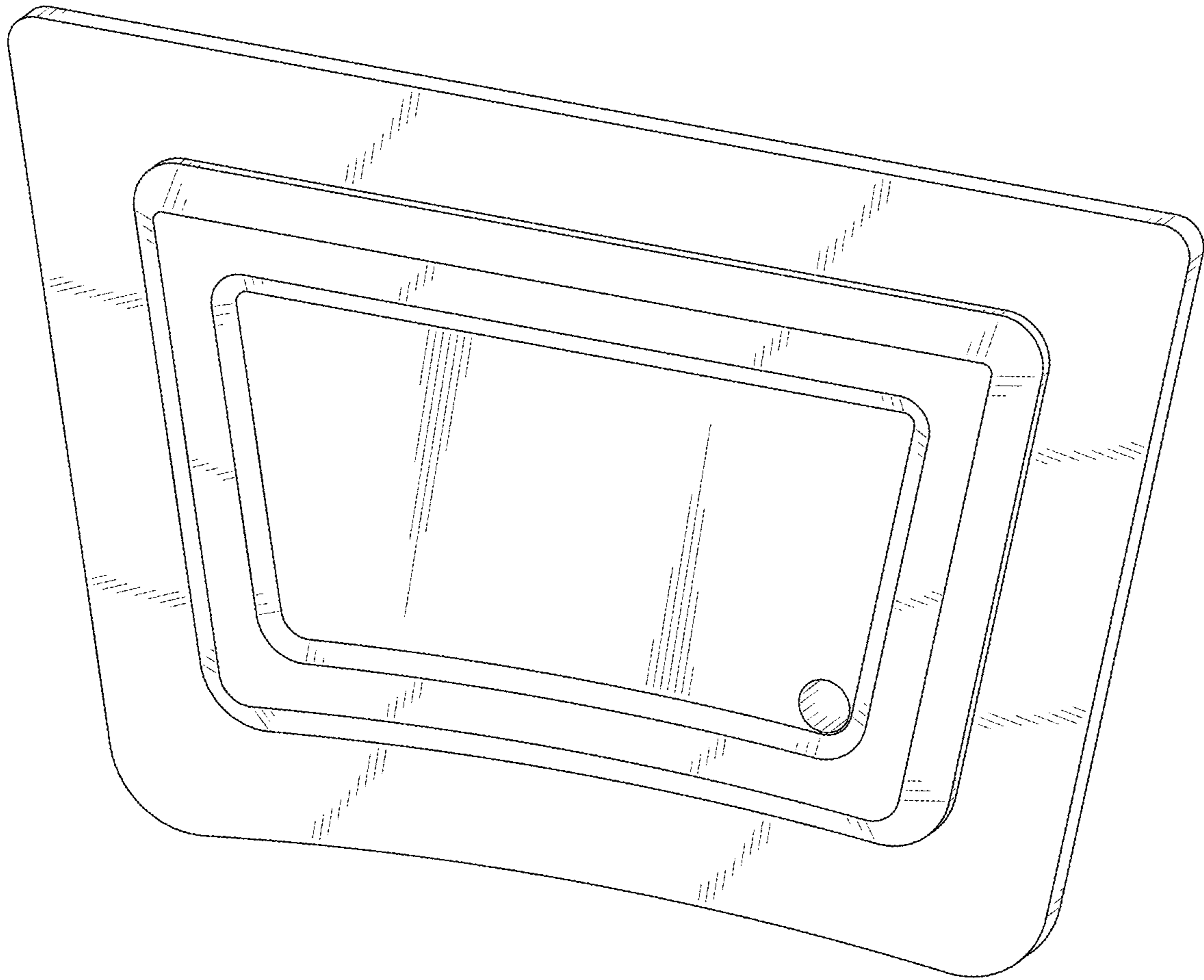


FIG.2

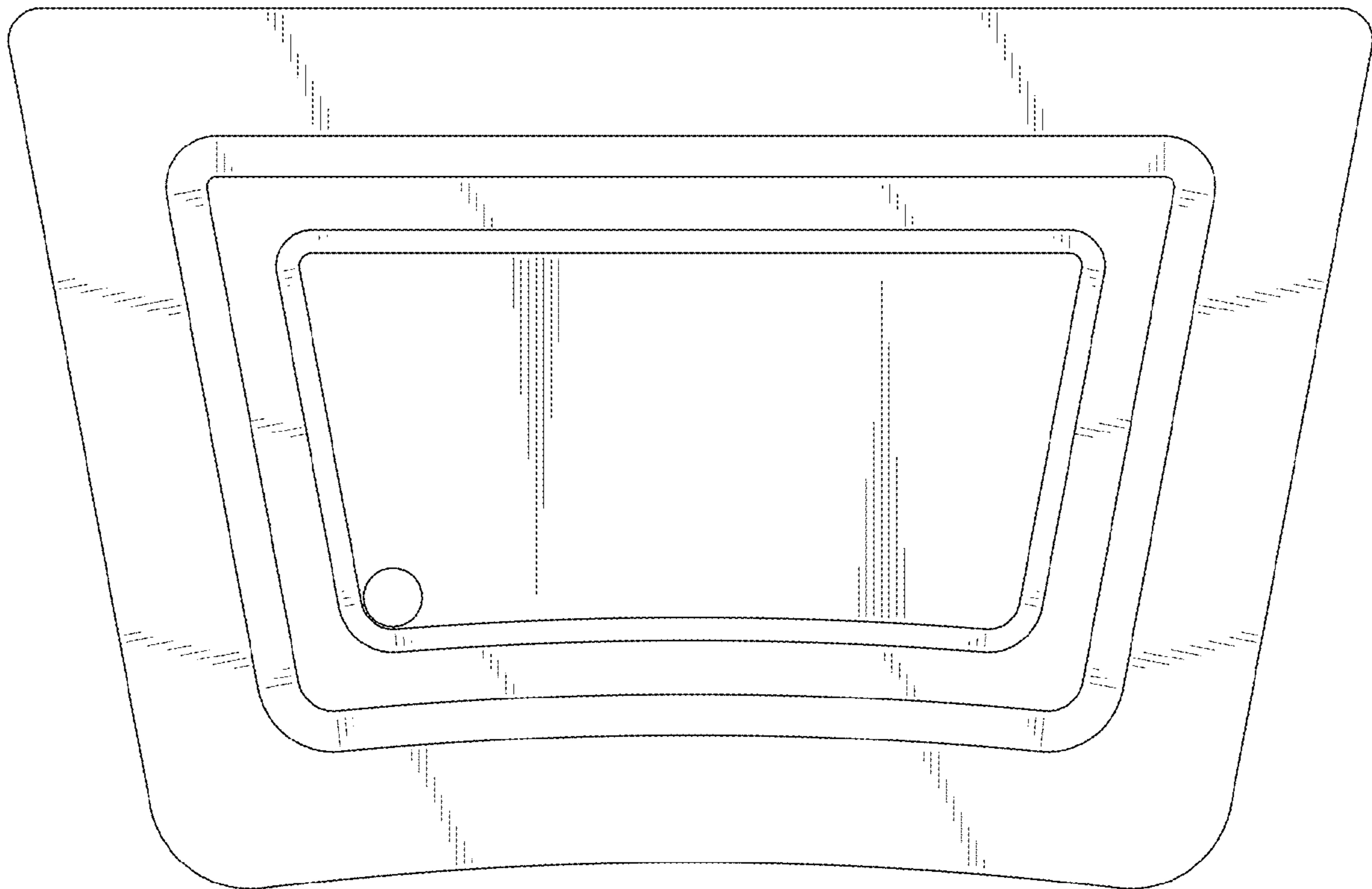


FIG. 3

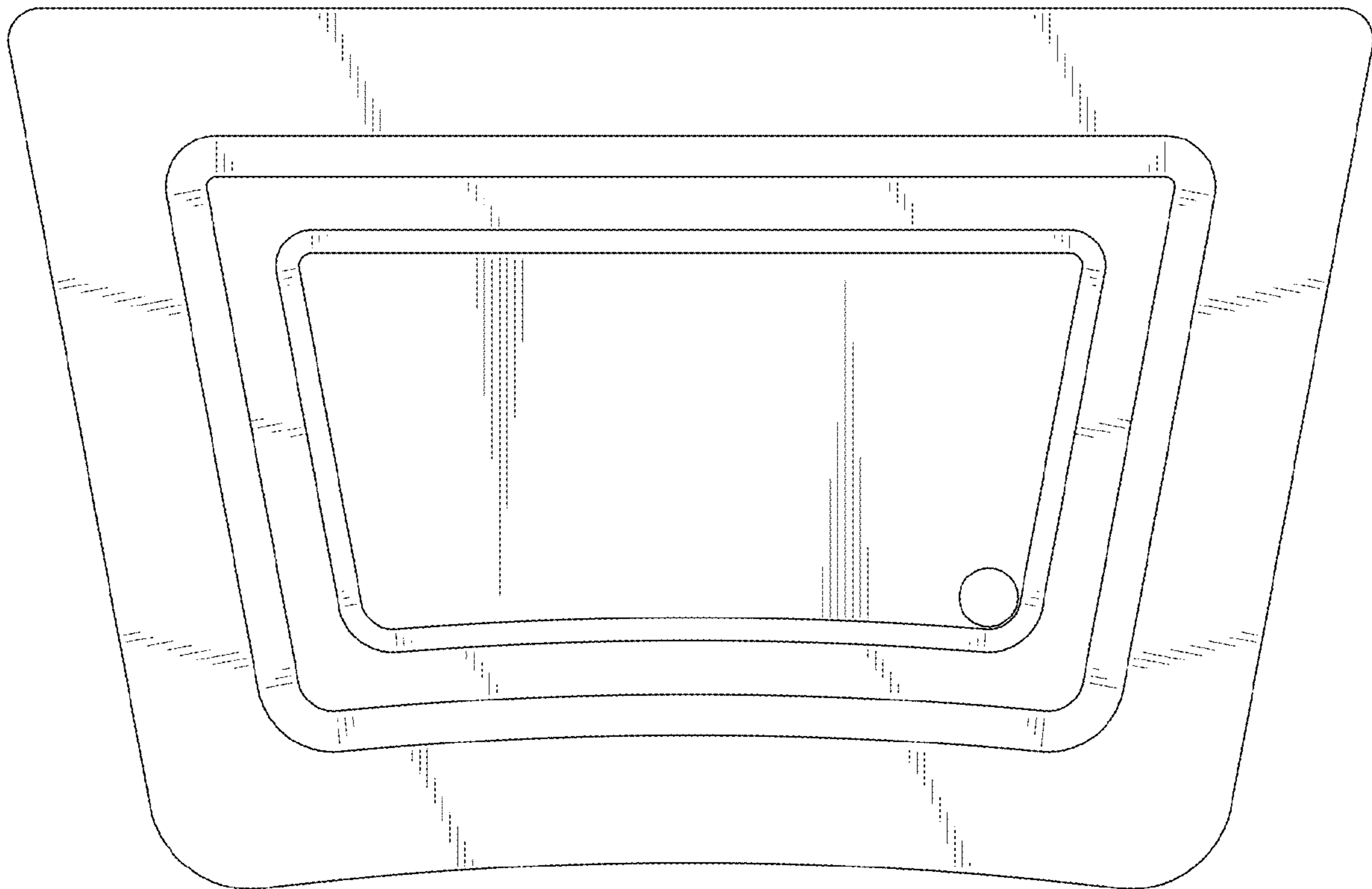


FIG. 4

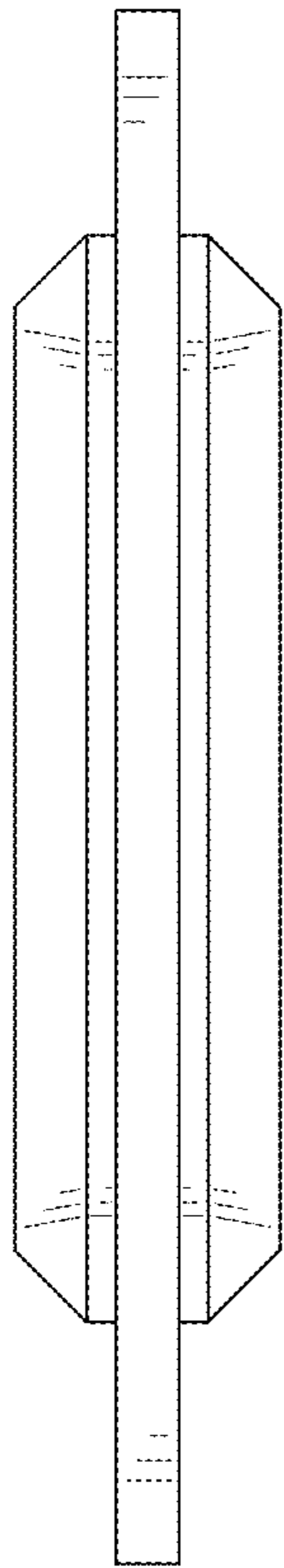


FIG. 5

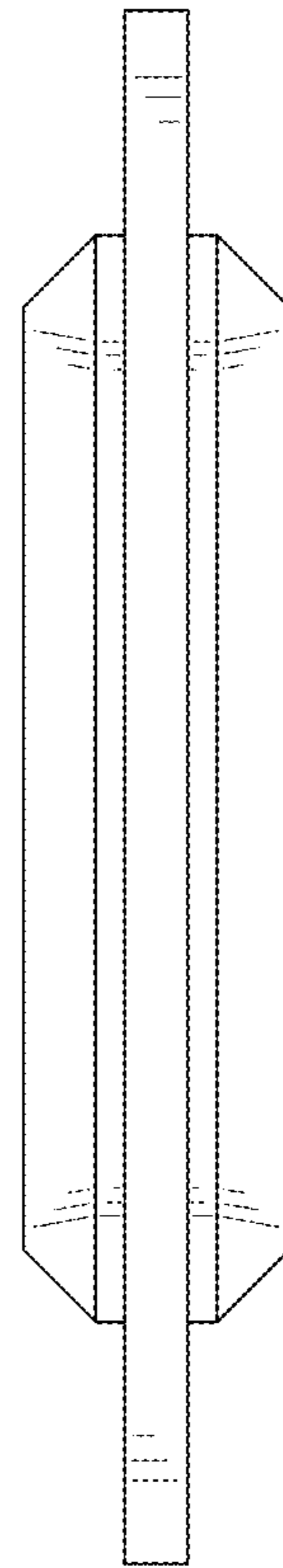


FIG. 6

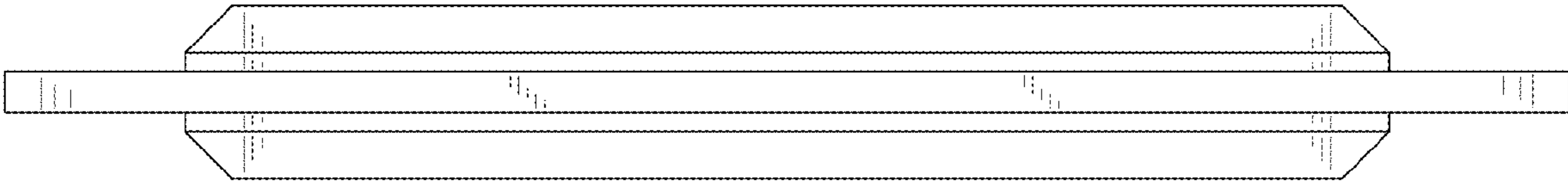


FIG. 7

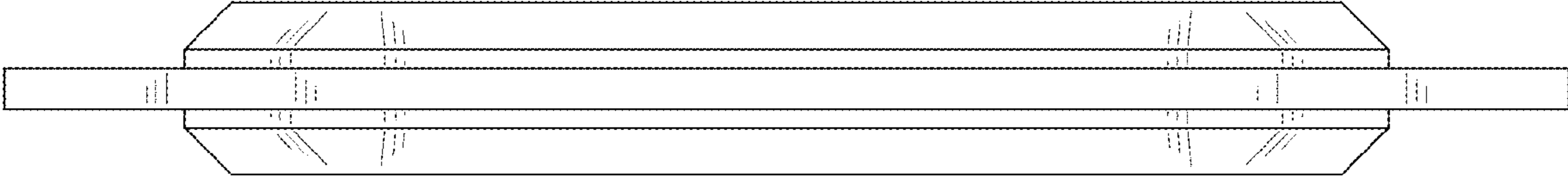


FIG. 8