



US00D923255S

(12) **United States Design Patent** (10) **Patent No.:** **US D923,255 S**
Yin (45) **Date of Patent:** **** Jun. 22, 2021**

(54) **PET ENCLOSURE** 7,284,289 B1 * 10/2007 Biagini A47D 7/002
5/98.1

(71) Applicant: **Shenzhen Climbing Pet Products Co., Ltd., Shenzhen (CN)** D573,313 S * 7/2008 Bing-sen D30/119
D596,355 S 7/2009 Toltzman et al.

(72) Inventor: **Aicheng Yin, Changning (CN)** 7,867,101 B2 * 1/2011 Chiang A63H 33/008
472/134

(**) Term: **15 Years** 8,381,454 B1 * 2/2013 Robinson E04H 1/1211
52/79.5

(21) Appl. No.: **29/745,119** D715,006 S * 10/2014 Pomerantz D30/112
9,826,710 B1 * 11/2017 McNew A01K 1/0017

(22) Filed: **Aug. 4, 2020** D828,640 S * 9/2018 Comerford D30/108
D862,913 S * 10/2019 Jin D6/331
D890,856 S * 7/2020 Huett D21/483

(51) **LOC (13) Cl.** **30-02** * cited by examiner

(52) **U.S. Cl.** **USPC** **D30/108** *Primary Examiner* — Sheryl Lane
Assistant Examiner — Aula Soroush

(58) **Field of Classification Search**

USPC D30/158, 160, 108–120; D21/520,
D21/834–840; D6/601, 349, 595–597,
D6/604, 382, 331

CPC A01K 1/00; A01K 1/0272; A01K 1/0353;
A01K 1/035

See application file for complete search history.

(57) **CLAIM**

The ornamental design for a pet enclosure, as shown and described.

(56) **References Cited**

U.S. PATENT DOCUMENTS

1,413,410 A * 4/1922 Langer A01K 5/01
119/63

1,636,189 A * 7/1927 Louden A01K 1/0005
256/24

D254,574 S * 3/1980 Schneider D30/108

5,727,502 A * 3/1998 Askins A01K 1/033
119/499

6,269,826 B1 * 8/2001 Zheng A63B 9/00
135/117

6,453,923 B2 * 9/2002 Zheng A63B 9/00
135/117

6,491,052 B1 * 12/2002 Zheng E04H 15/40
135/125

6,752,163 B2 * 6/2004 Zheng A63B 9/00
135/117

6,901,940 B2 * 6/2005 Zheng E04H 4/0025
135/126

D514,747 S * 2/2006 Bertoli D30/108

DESCRIPTION

FIG. 1 is a front and top perspective view of a pet enclosure, showing my new design;

FIG. 2 is a rear and bottom perspective view thereof;

FIG. 3 is a front elevational view thereof;

FIG. 4 is a rear elevational view thereof;

FIG. 5 is a left side elevational view thereof;

FIG. 6 is a right side elevational view thereof;

FIG. 7 is a top plan view thereof; and,

FIG. 8 is a bottom plan view thereof; and FIG. 9 is an enlarged view of a portion labeled 'FIG. 9' in FIG. 1.

The dashed broken lines in the figures depict portions of the pet enclosure that form no part of the claimed design. The dot-dash lines in FIGS. 1 and 9 are for the purpose of depicting the cut line of the enlarged view and form no part of the claim.

1 Claim, 9 Drawing Sheets

FIG. 9

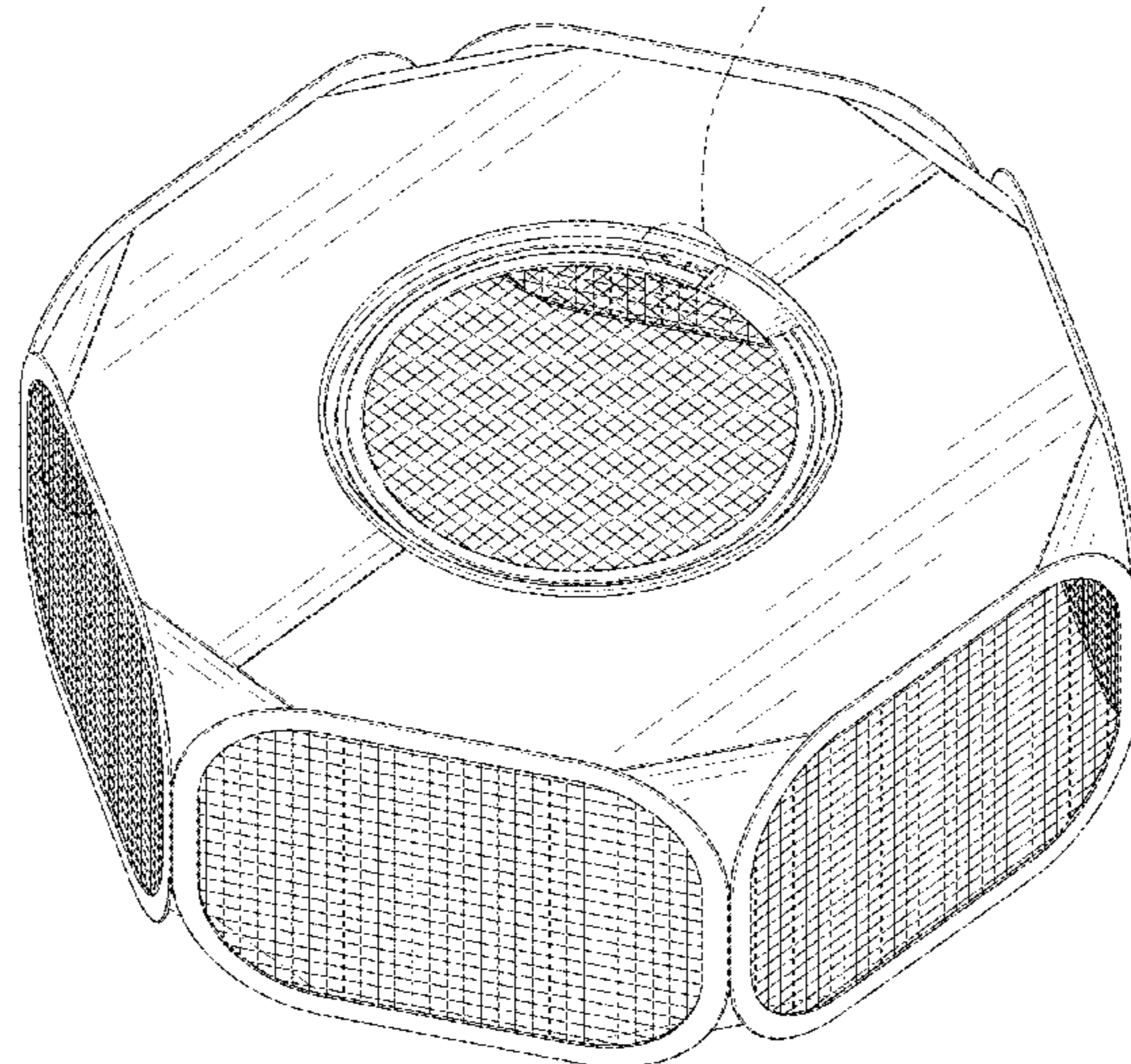


FIG. 9

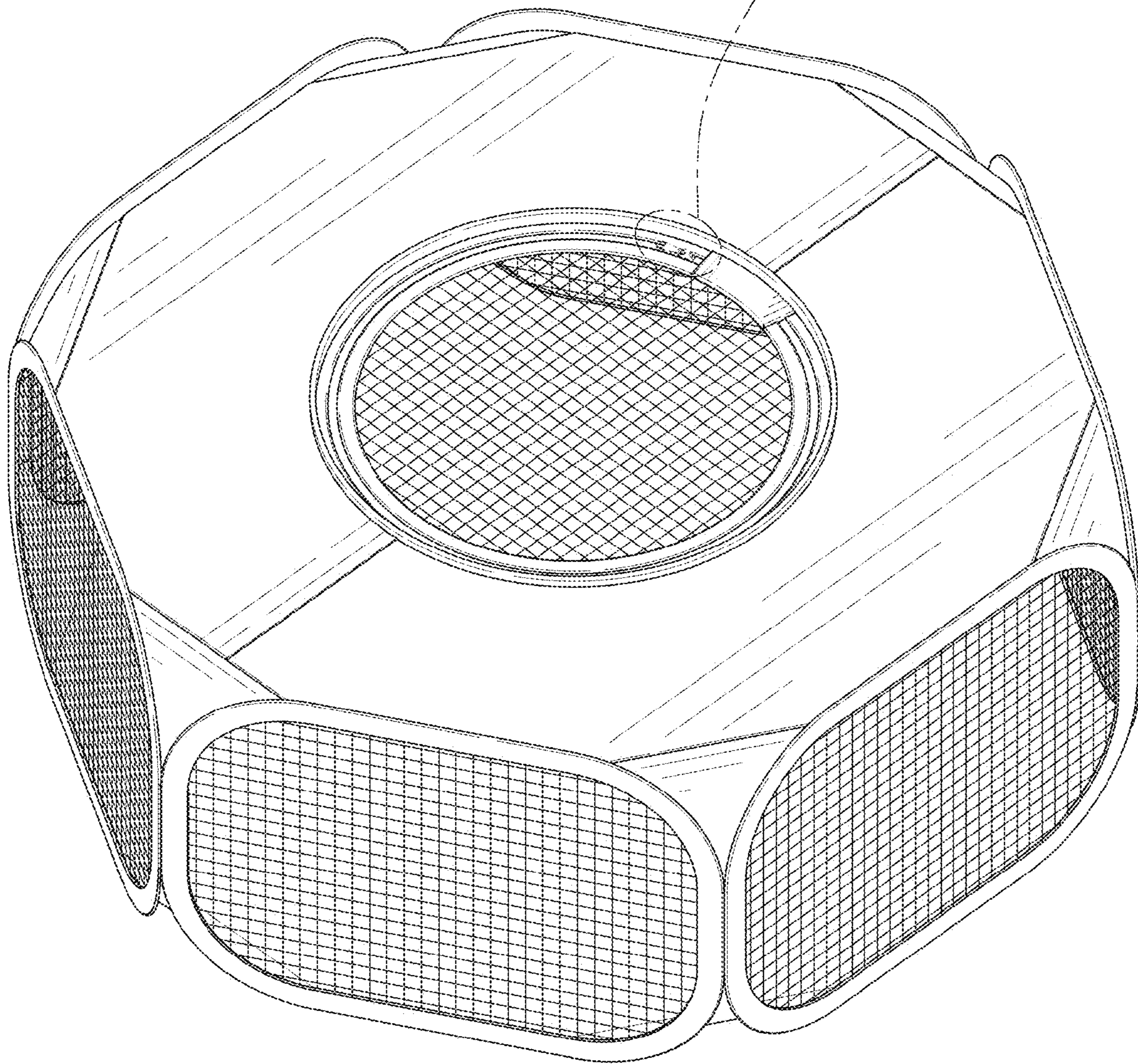


FIG. 1

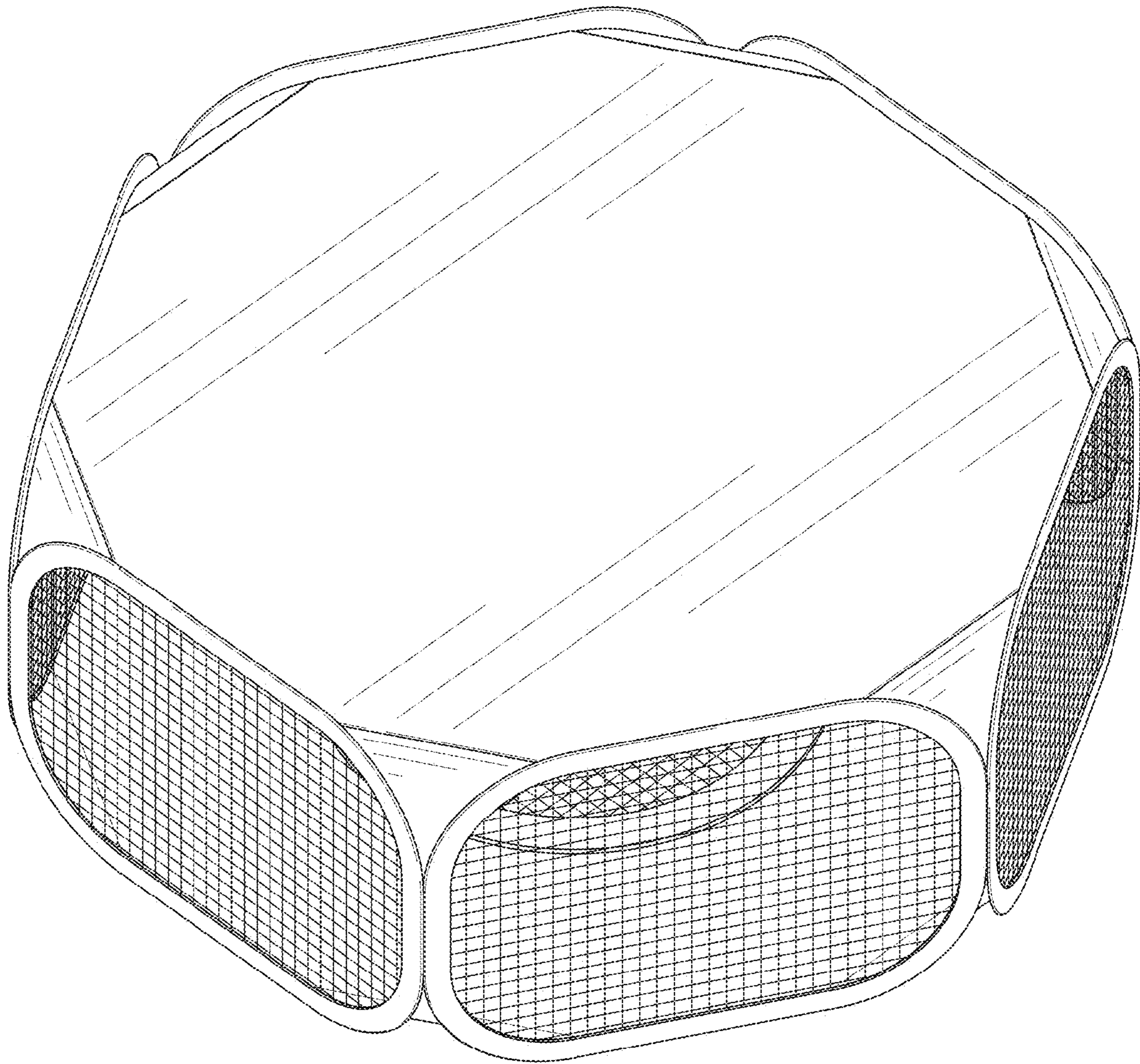


FIG. 2

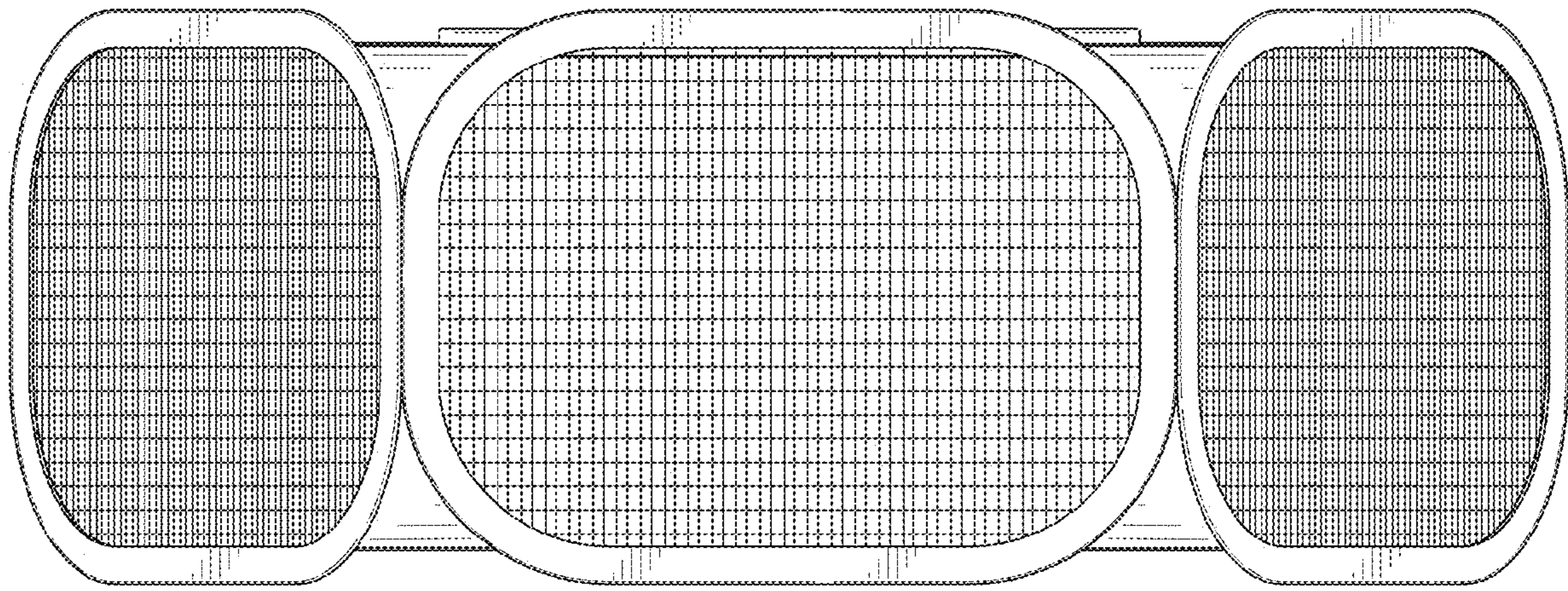


FIG. 3

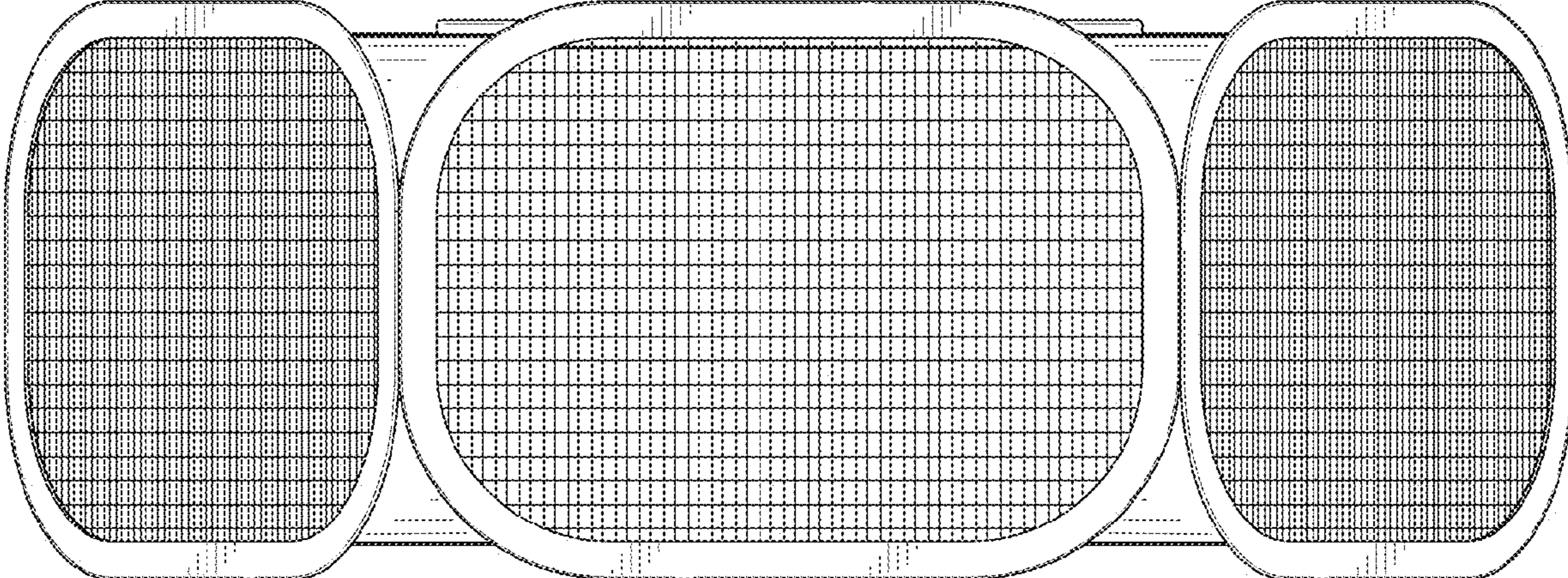


FIG. 4

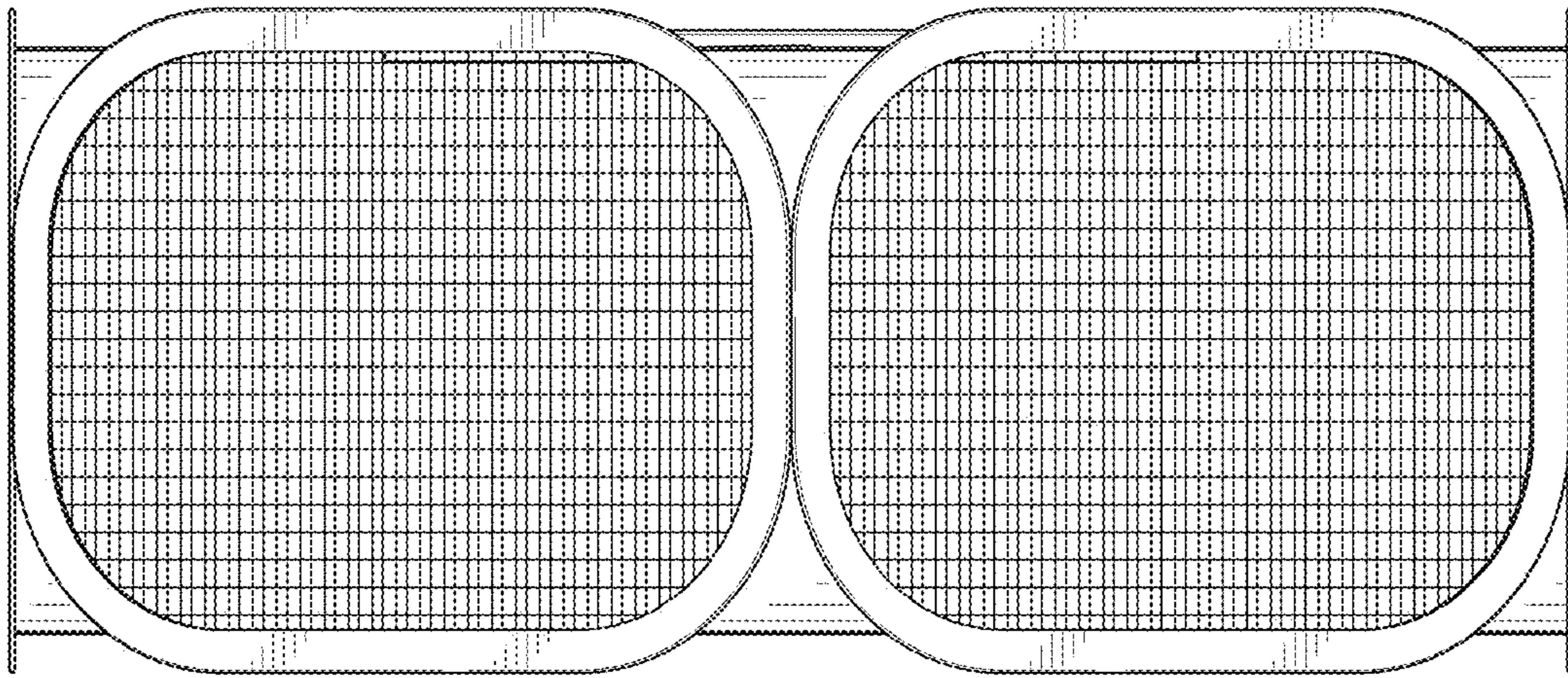


FIG. 5

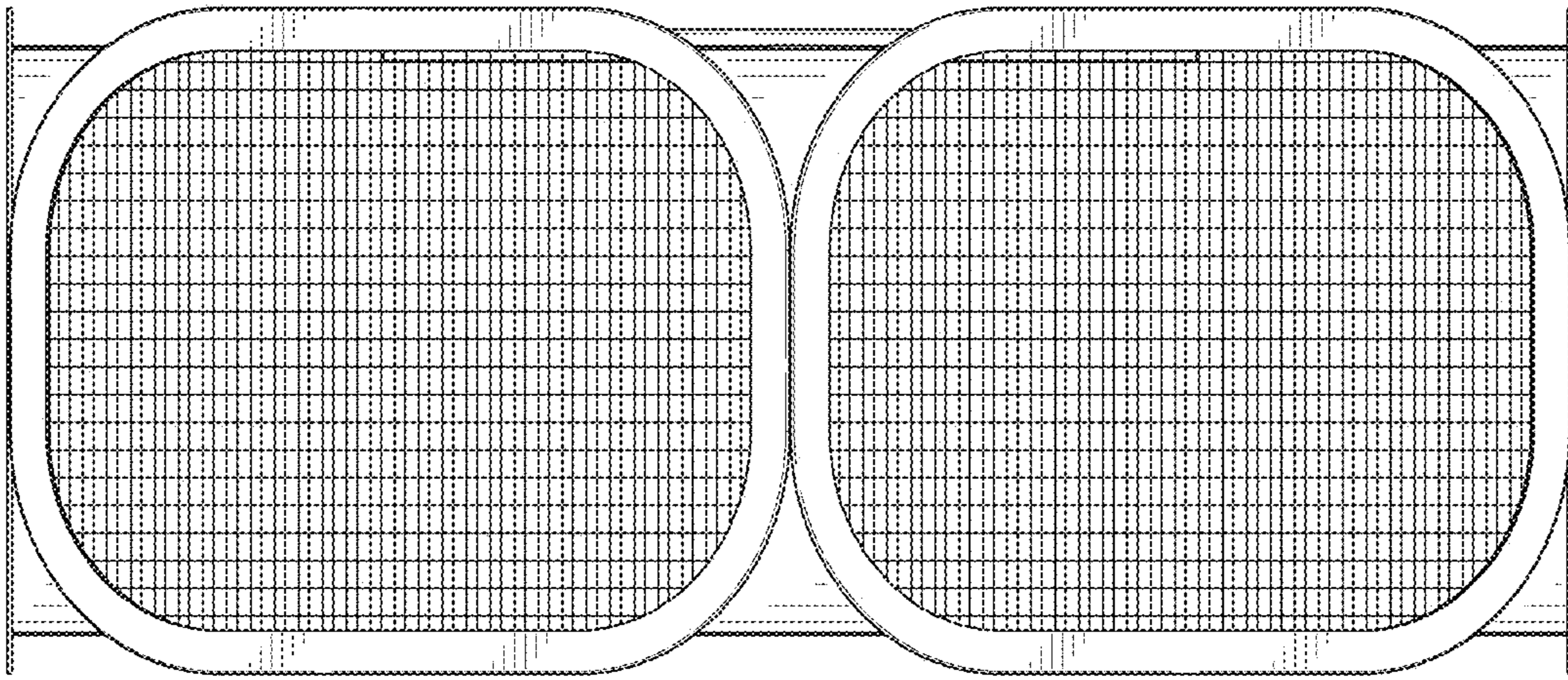


FIG. 6

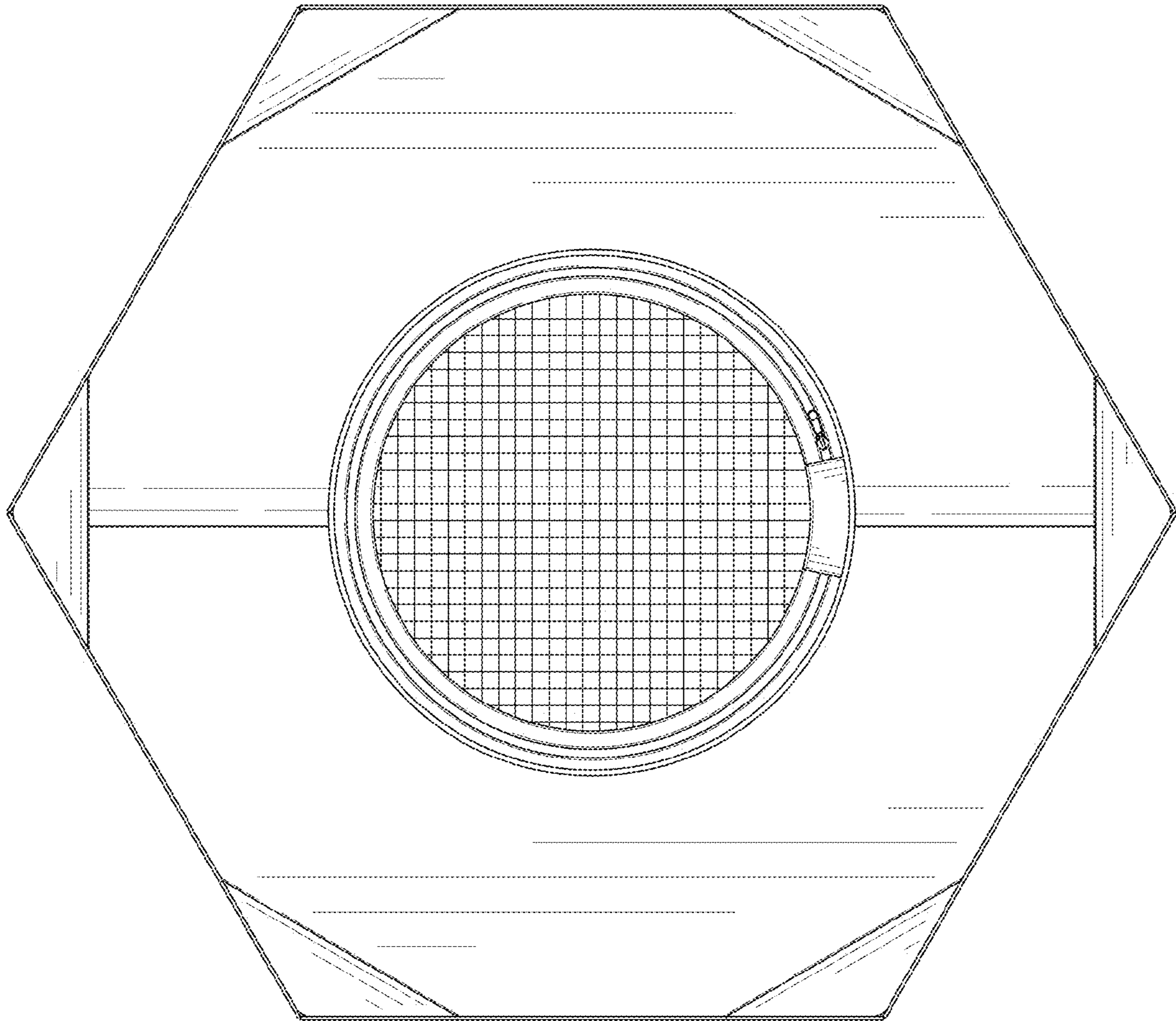


FIG. 7

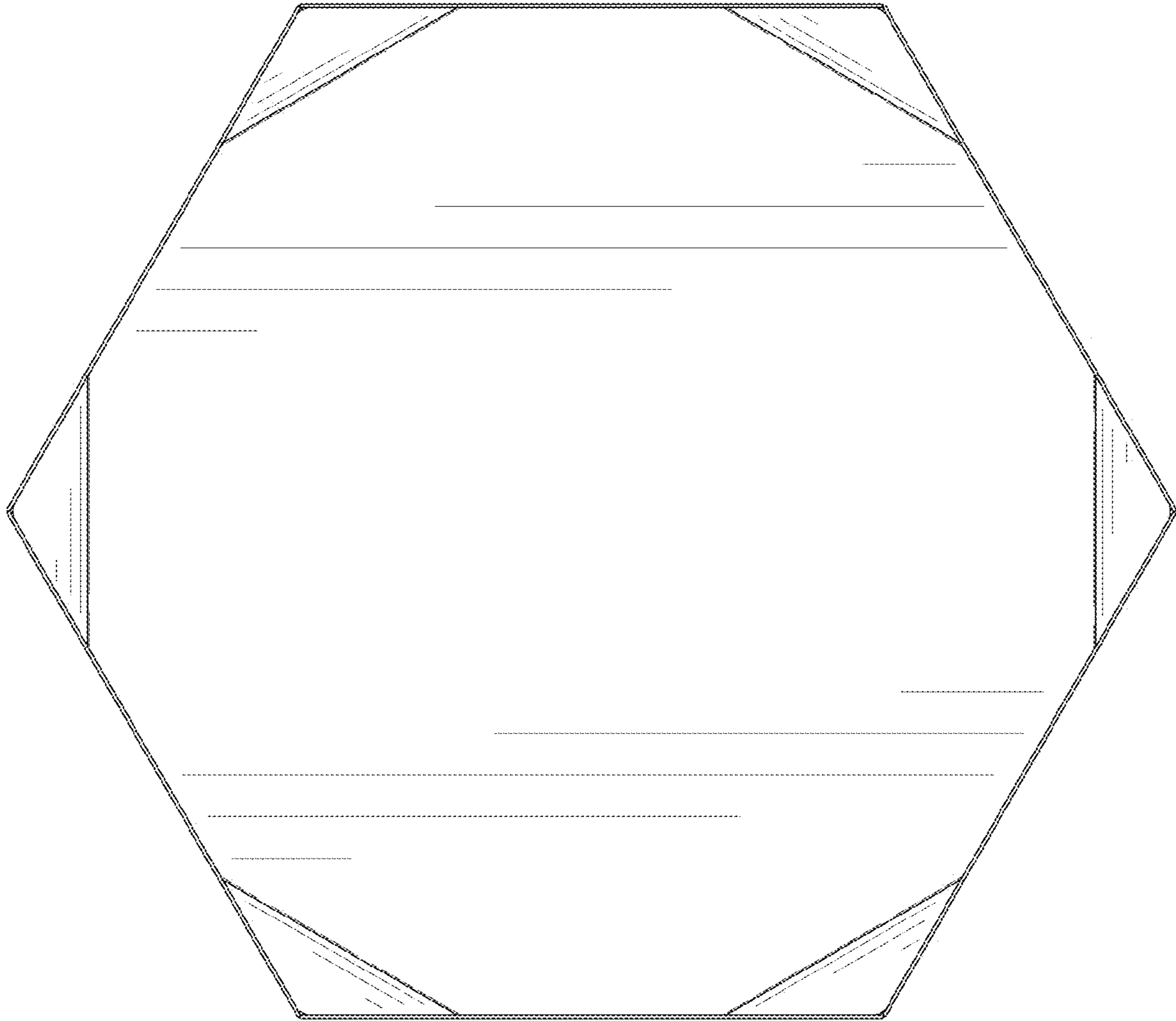


FIG. 8

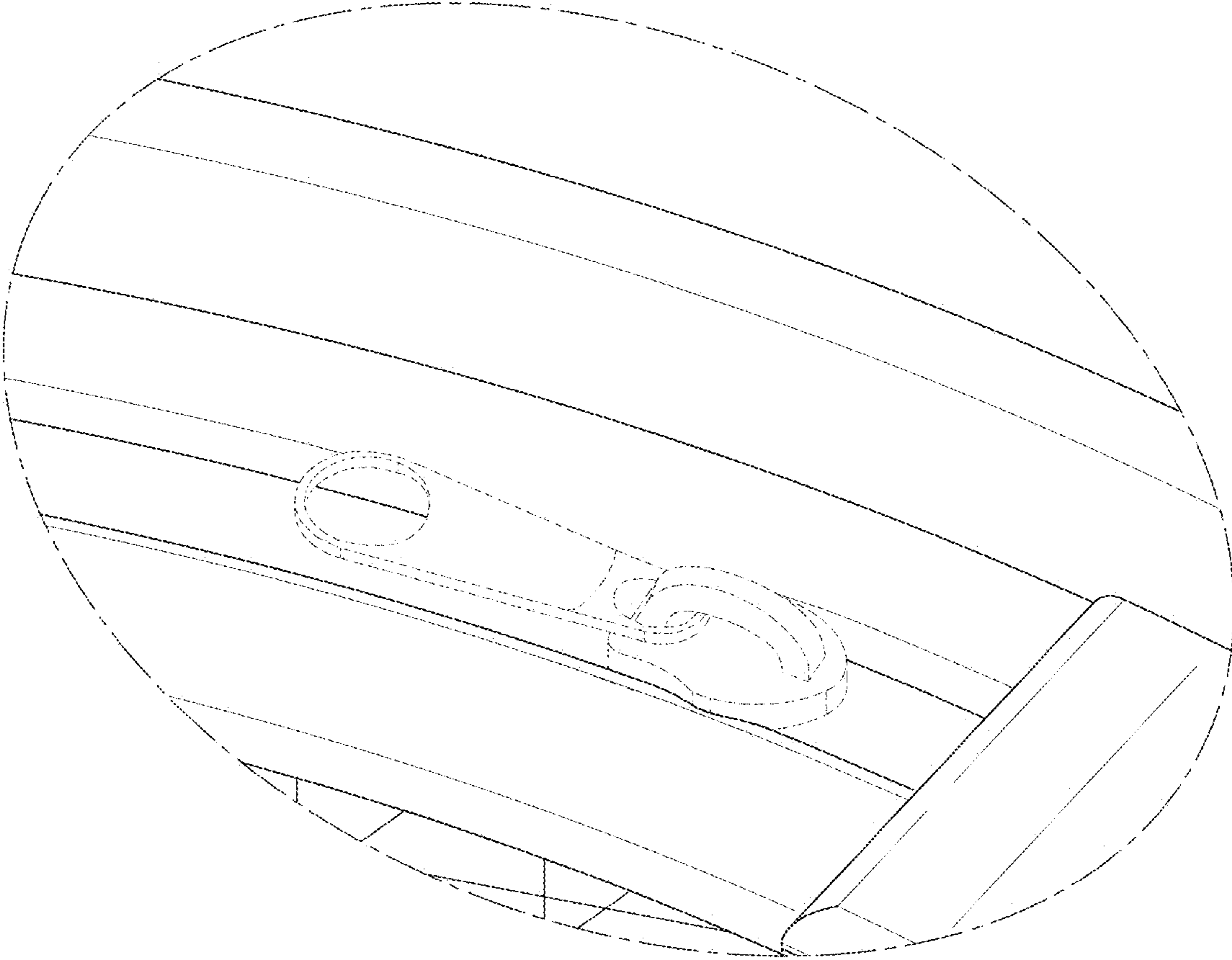


FIG. 9