



US00D923254S

(12) **United States Design Patent** (10) **Patent No.:** **US D923,254 S**  
**Kuo** (45) **Date of Patent:** **\*\* Jun. 22, 2021**

(54) **CONTAINER FOR LIPSTICKS**  
(71) Applicant: **DI GUANG INTERNATIONAL ENTERPRISE LIMITED**, Taichung (TW)  
(72) Inventor: **Ting-Wei Kuo**, Taichung (TW)  
(73) Assignee: **DI GUANG INTERNATIONAL ENTERPRISE LIMITED**, Taichung (TW)

D683,238 S \* 5/2013 You ..... D9/688  
D703,053 S \* 4/2014 Park ..... D9/503  
D737,149 S \* 8/2015 Son ..... D9/688  
D739,084 S \* 9/2015 Hall ..... D28/85  
D748,865 S \* 2/2016 Hall ..... D28/85  
D797,377 S \* 9/2017 Reggiani ..... D28/89  
D828,960 S \* 9/2018 Shugar ..... D28/85  
10,188,191 B2 \* 1/2019 Dudek ..... A45D 40/00  
D845,132 S \* 4/2019 Otani ..... D9/503  
D863,687 S \* 10/2019 Wilson ..... D28/85  
D871,844 S \* 1/2020 Adams, Jr. .... D7/510  
D902,722 S \* 11/2020 Shiota ..... D9/503

(\*\*) Term: **15 Years**  
(21) Appl. No.: **29/739,656**  
(22) Filed: **Jun. 28, 2020**  
(51) **LOC (13) Cl.** ..... **28-03**  
(52) **U.S. Cl.**  
USPC ..... **D28/85**  
(58) **Field of Classification Search**  
USPC ..... D28/7, 4, 76-85, 88, 90, 99, 428, 430;  
D9/529, 545, 549, 551, 562, 558, 503;  
D19/115, 123, 159  
CPC ..... A45D 33/00; A45D 33/28; A45D 33/26;  
A45D 33/22; A45D 33/02; A45D 33/14;  
A45D 40/02; A45D 40/04; A45D 40/20;  
A45D 40/00  
See application file for complete search history.

(56) **References Cited**  
U.S. PATENT DOCUMENTS  
2,148,736 A \* 2/1939 Engel, Jr. .... A45D 40/265  
401/129  
D272,952 S \* 3/1984 Holloway ..... D28/76  
D385,793 S \* 11/1997 Marsal ..... D24/224  
D525,130 S \* 7/2006 Bloc ..... D9/503  
D570,051 S \* 5/2008 Bakic ..... D28/88  
D580,597 S \* 11/2008 Mascotte ..... D28/76  
D669,122 S \* 10/2012 Liu ..... D19/163

**OTHER PUBLICATIONS**

Lip Gloss Storage Container By:Esowemsn found on Amazon Apr. 18, 2021 <https://www.amazon.com/25Pcs-Plastic-Containers-Storage-Container/dp/B0185OW7RG/ref=sr> (May 25, 2017).\*

\* cited by examiner

*Primary Examiner* — Marissa J Cash  
*Assistant Examiner* — Rebecca Tsehaye  
(74) *Attorney, Agent, or Firm* — Bruce Stone LLP;  
Joseph A. Bruce

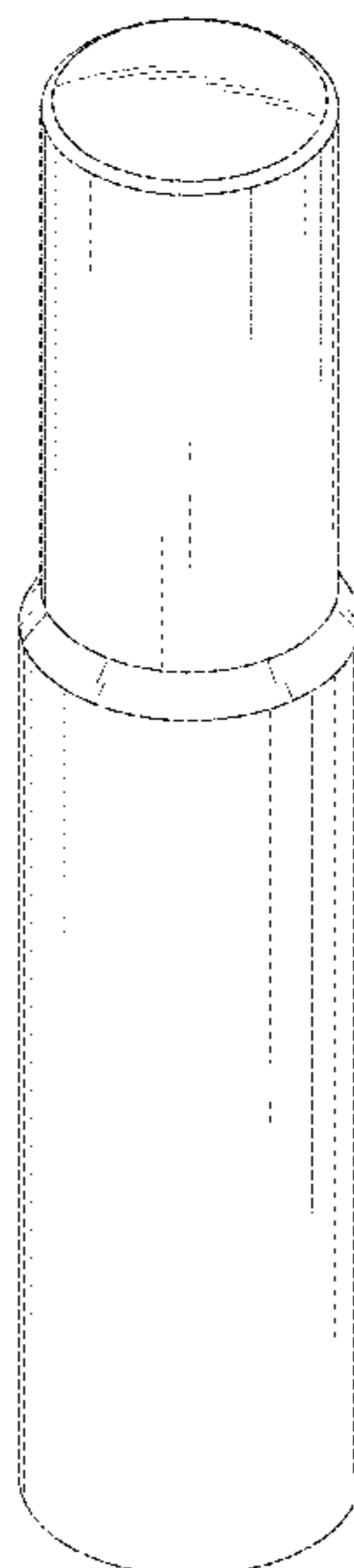
(57) **CLAIM**

The ornamental design for a container for lipsticks, as shown.

**DESCRIPTION**

FIG. 1 is a perspective view of a container for lipsticks showing my new design;  
FIG. 2 is a front view thereof; the rear view, left side view and right side view are omitted due to symmetrical with front view;  
FIG. 3 is a top plan view thereof;  
FIG. 4 is a bottom plan view thereof; and,  
FIG. 5 is another perspective view taken from the bottom angle thereof.

**1 Claim, 4 Drawing Sheets**



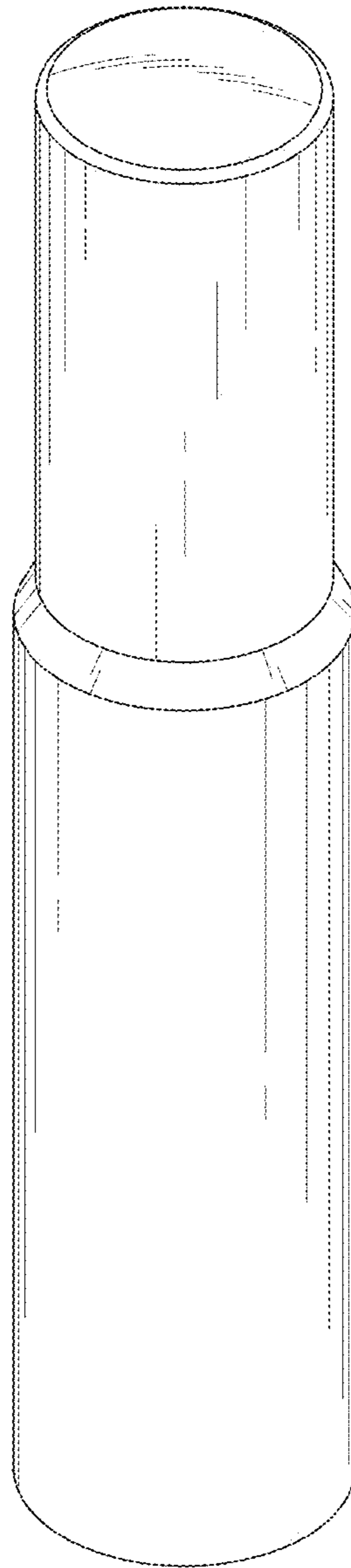


FIG.1

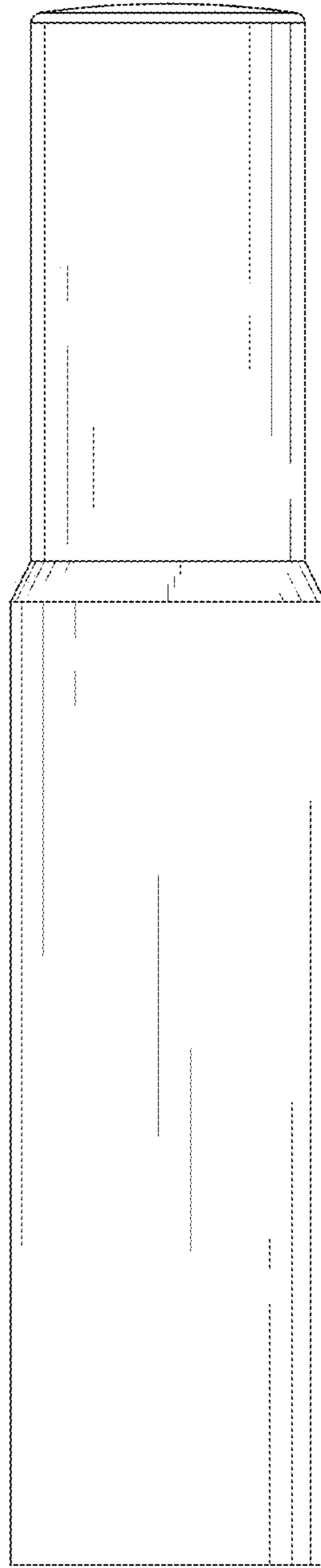


FIG.2

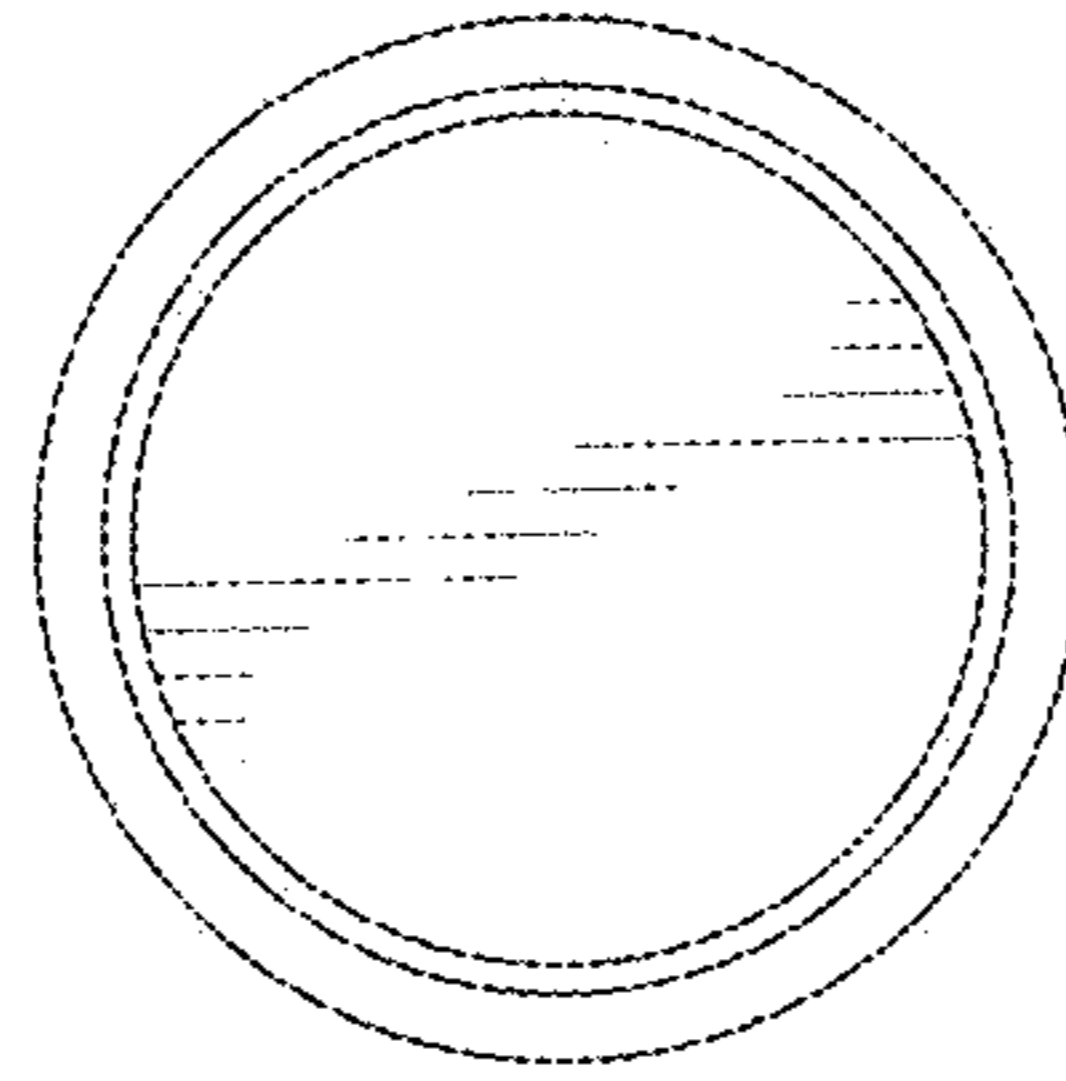


FIG.3

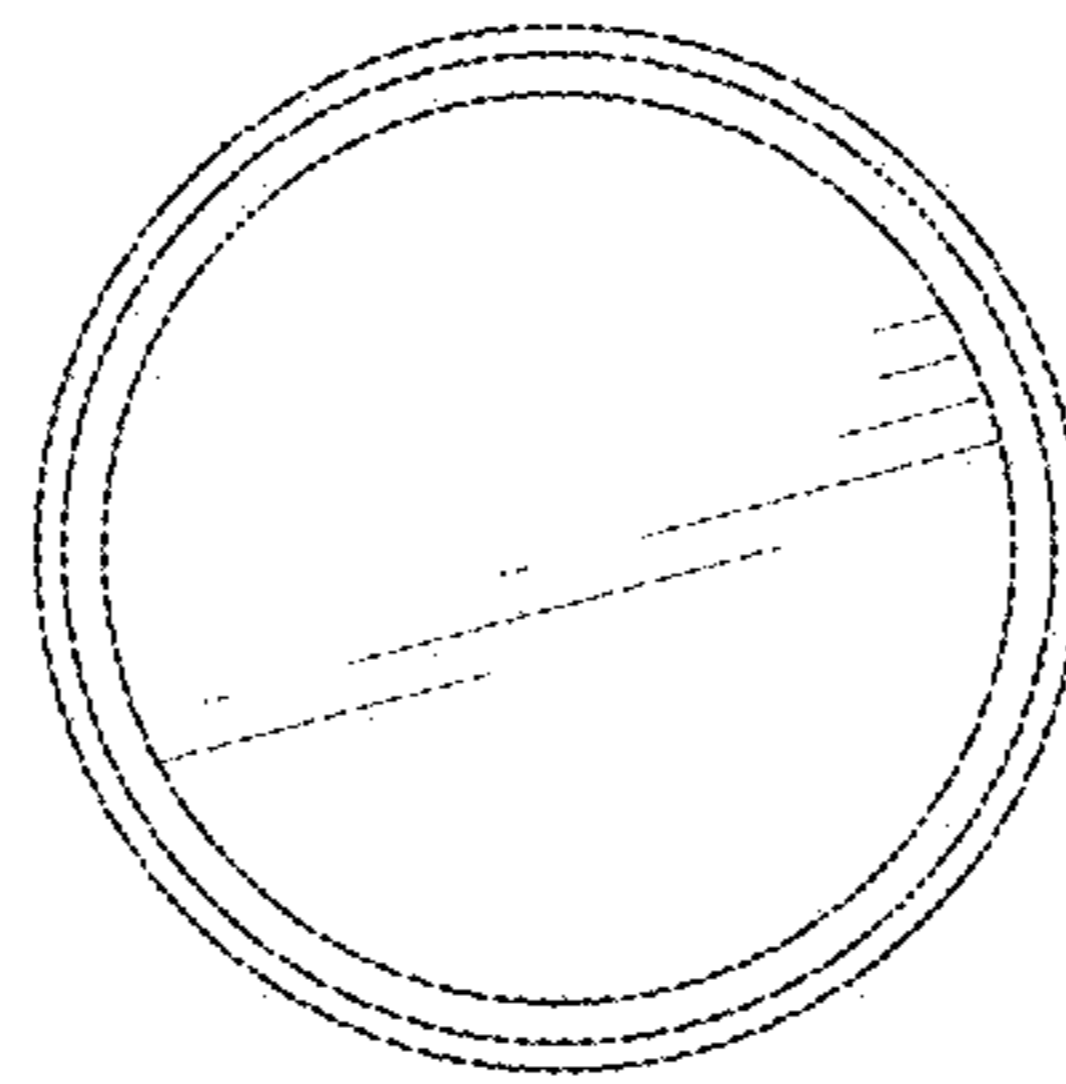


FIG.4

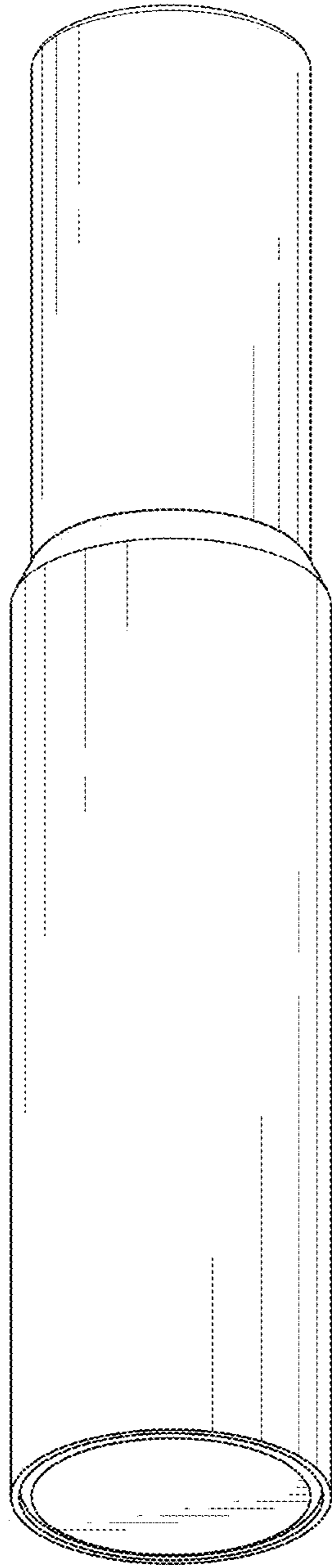


FIG.5