



US00D923253S

(12) **United States Design Patent**  
**Mitha**

(10) **Patent No.:** **US D923,253 S**  
(45) **Date of Patent:** **\*\* Jun. 22, 2021**

(54) **LIPSTICK SHEATH**  
(71) Applicant: **J. Choo Limited**, London (GB)  
(72) Inventor: **Alnoor Mitha**, Paris (FR)  
(73) Assignee: **J. Choo Limited**, London (GB)  
(\*\*) Term: **15 Years**  
(21) Appl. No.: **29/699,345**

D325,698 S \* 4/1992 Cavazza ..... D9/544  
D398,242 S \* 9/1998 Fling ..... D9/545  
D417,932 S \* 12/1999 Siegel ..... D28/7  
D446,355 S \* 8/2001 Weinstock ..... D28/76  
D516,241 S \* 2/2006 Gaines ..... D27/161  
D559,106 S \* 1/2008 Giumarra ..... D9/500  
D670,076 S \* 11/2012 Choi ..... D2/965  
D707,957 S \* 7/2014 Oas ..... D3/215  
9,022,042 B1 \* 5/2015 Fichtl ..... A45D 40/24  
132/218  
D744,736 S \* 12/2015 Rayford ..... D2/966  
(Continued)

(22) Filed: **Jul. 24, 2019**

(30) **Foreign Application Priority Data**

Feb. 18, 2019 (EM) ..... 006260527-0003  
Feb. 18, 2019 (EM) ..... 006260527-0004

(51) **LOC (13) Cl.** ..... **28-03**

(52) **U.S. Cl.**  
USPC ..... **D28/85**

(58) **Field of Classification Search**  
USPC ..... D28/73, 76, 77, 85-90, 91.1, 99;  
D9/503, 529, 556, 682, 686, 687, 689,  
D9/693, 694, 727, 745; D2/925, 939,  
D2/946, 964, 965-967  
CPC ..... A45D 34/00; A45D 34/04; A45D 34/06;  
A45D 34/041; A45D 40/00; A45D 40/02;  
A45D 40/06; A45D 40/18; A45D 40/262  
See application file for complete search history.

(56) **References Cited**

**U.S. PATENT DOCUMENTS**

D99,572 S \* 5/1936 Ganz ..... D9/505  
D103,693 S \* 3/1937 Samstag ..... D28/89  
2,328,319 A \* 8/1943 Barton ..... A43B 21/00  
36/34 A  
D136,501 S \* 10/1943 Habif ..... D9/503  
D152,547 S \* 2/1949 Lang ..... D28/77  
3,317,036 A \* 5/1967 Cherba ..... A45D 40/06  
401/78  
D307,545 S \* 5/1990 Hibbert ..... D9/503

**OTHER PUBLICATIONS**

Jimmy Choo launches first cosmetics collection—The Glass Magazine, published Mar. 9, 2020, retrieved on Feb. 4, 2021, retrieved from the Internet URL: <https://www.theglassmagazine.com/jimmy-choo-launches-first-cosmetics-collection/>.\*

*Primary Examiner* — Jennifer Rivard  
*Assistant Examiner* — Alison M Ofstun  
(74) *Attorney, Agent, or Firm* — Fross Zelnick Lehrman & Zissu, P.C.; Lawrence E. Apolzon, Esq.

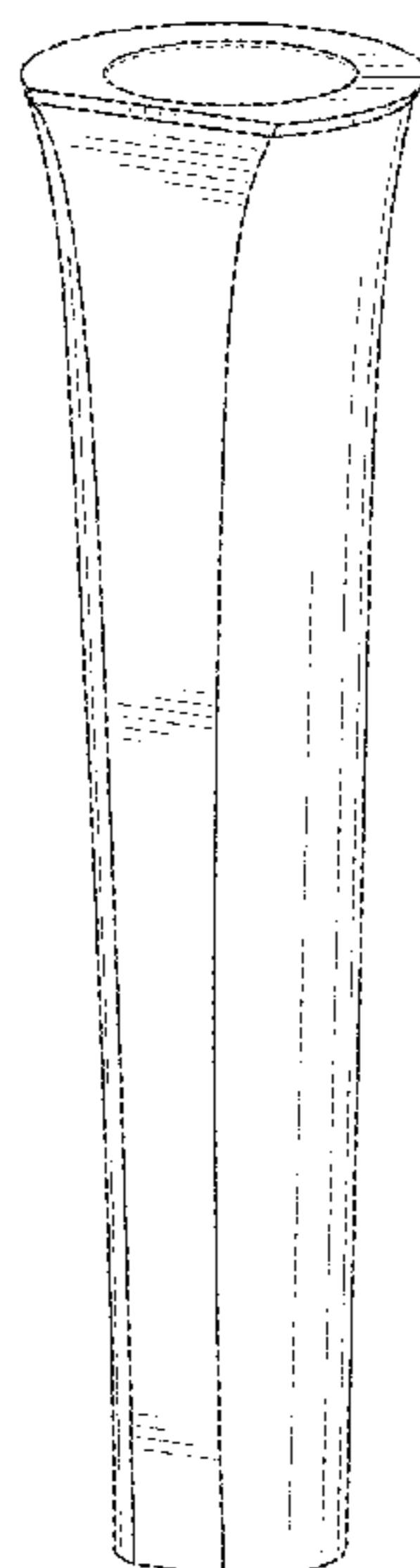
(57) **CLAIM**

The ornamental design for a lipstick sheath, as shown and described.

**DESCRIPTION**

FIG. 1 is a front perspective view of a lipstick sheath showing my new design;  
FIG. 2 is a front view thereof;  
FIG. 3 is a back view thereof;  
FIG. 4 is a left side view thereof;  
FIG. 5 is a right side view thereof;  
FIG. 6 is a top view thereof;  
FIG. 7 is a bottom view thereof; and,  
FIG. 8 is an exploded perspective view thereof.  
In the drawings, the broken lines illustrate portions of the article which form no part of the claimed design.

**1 Claim, 5 Drawing Sheets**



(56)

**References Cited**

U.S. PATENT DOCUMENTS

D749,311 S	*	2/2016	Morell .....	D2/965
D793,864 S	*	8/2017	O'Donahue .....	D9/558
D876,102 S	*	2/2020	Eng .....	D4/138
D880,872 S	*	4/2020	Burditt .....	D4/138
D906,115 S	*	12/2020	Louis .....	D9/503

\* cited by examiner

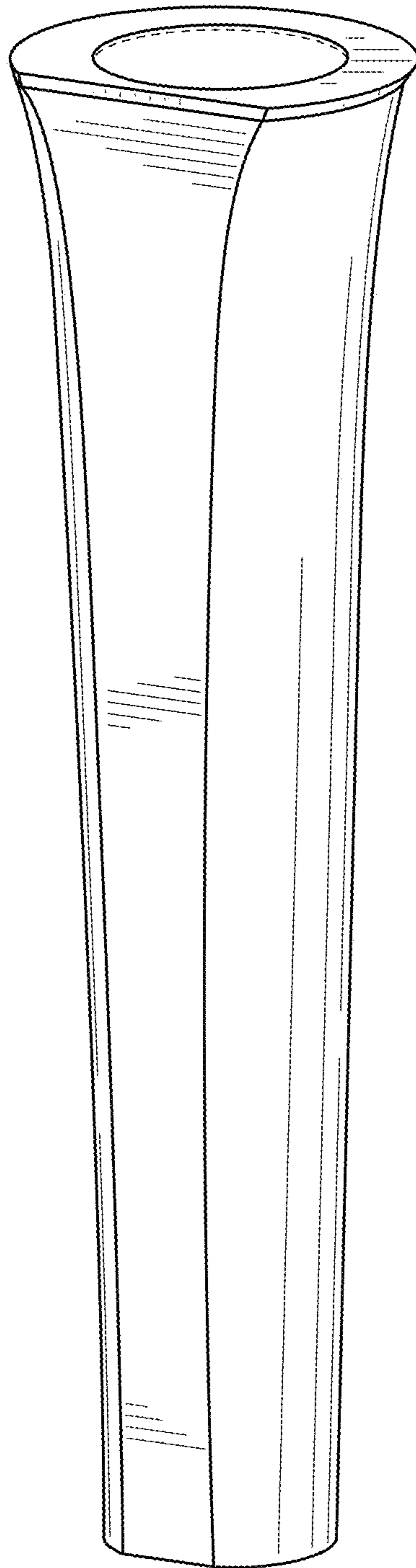


FIG. 1

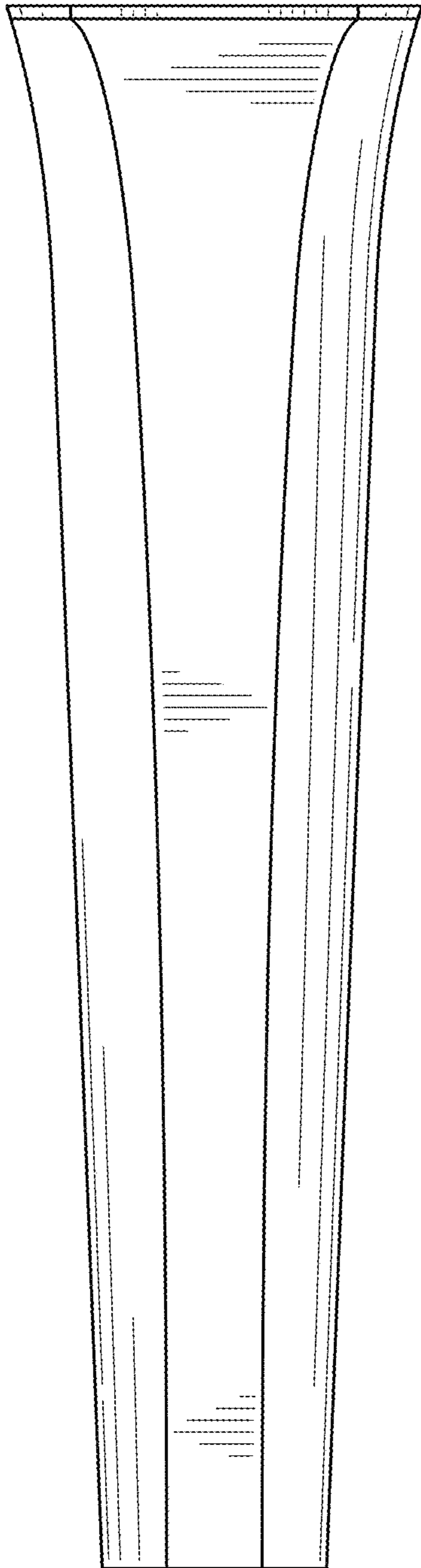


FIG. 2

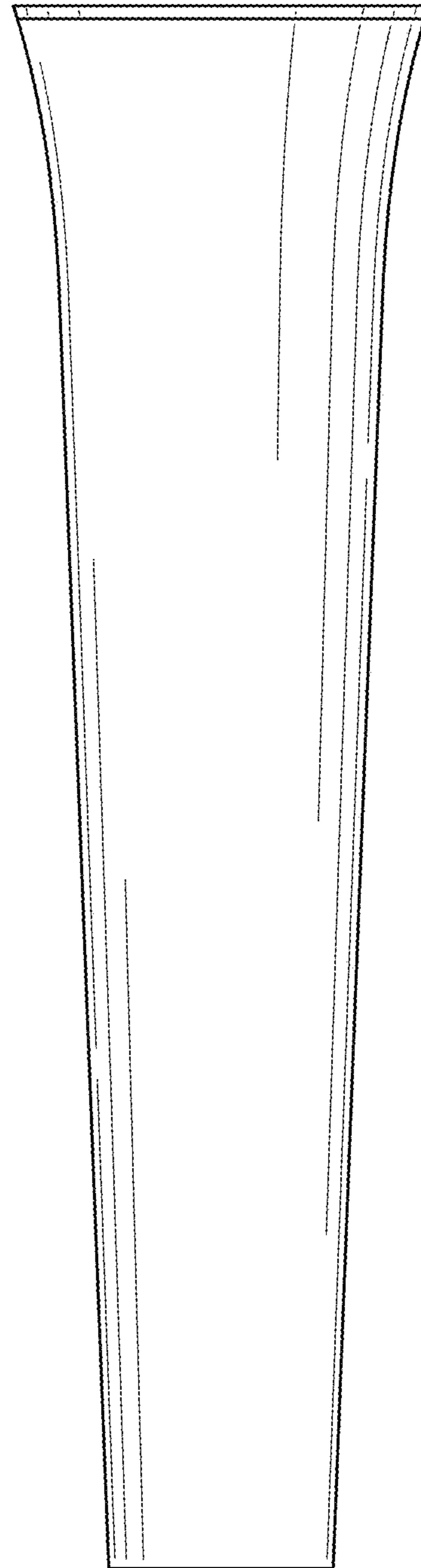


FIG. 3

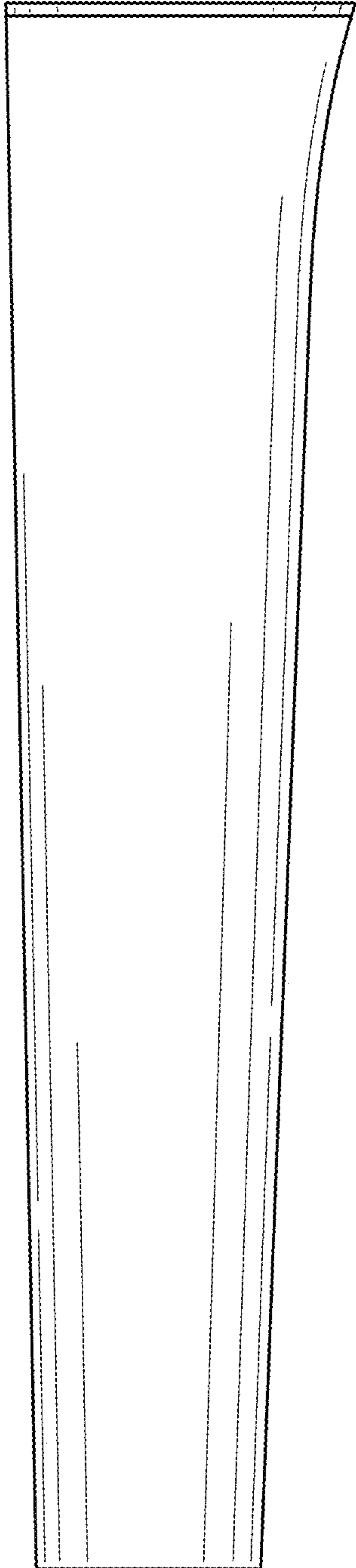


FIG. 4

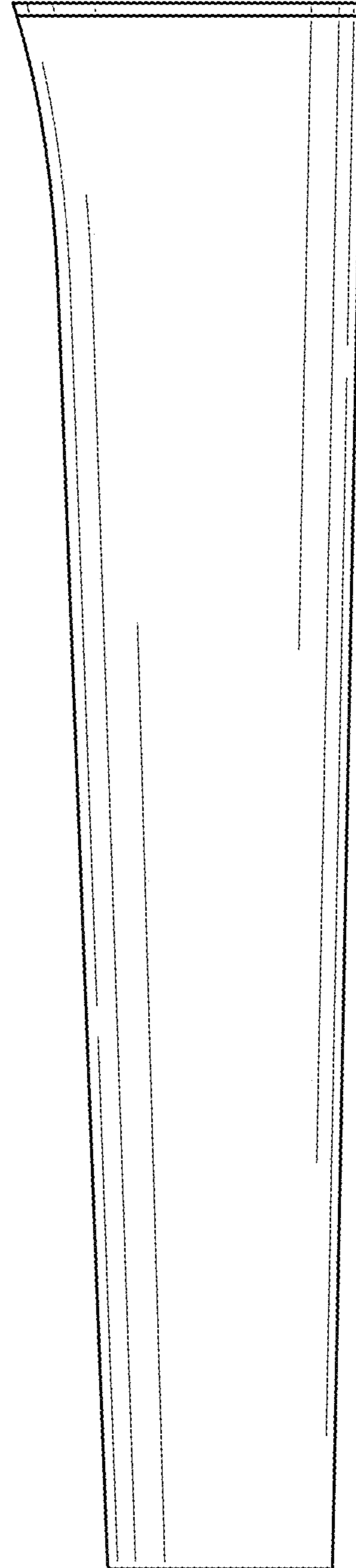


FIG. 5

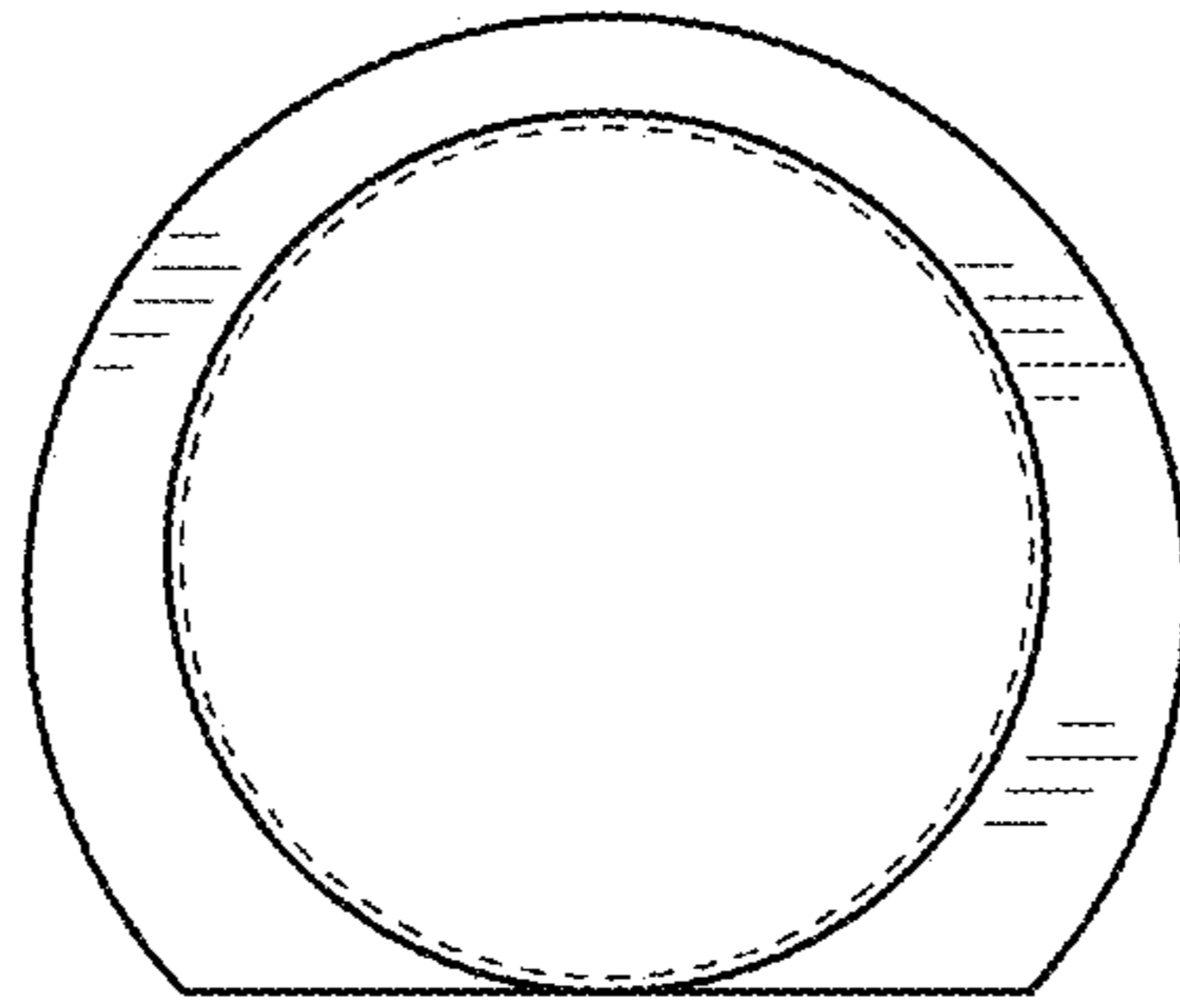


FIG. 6

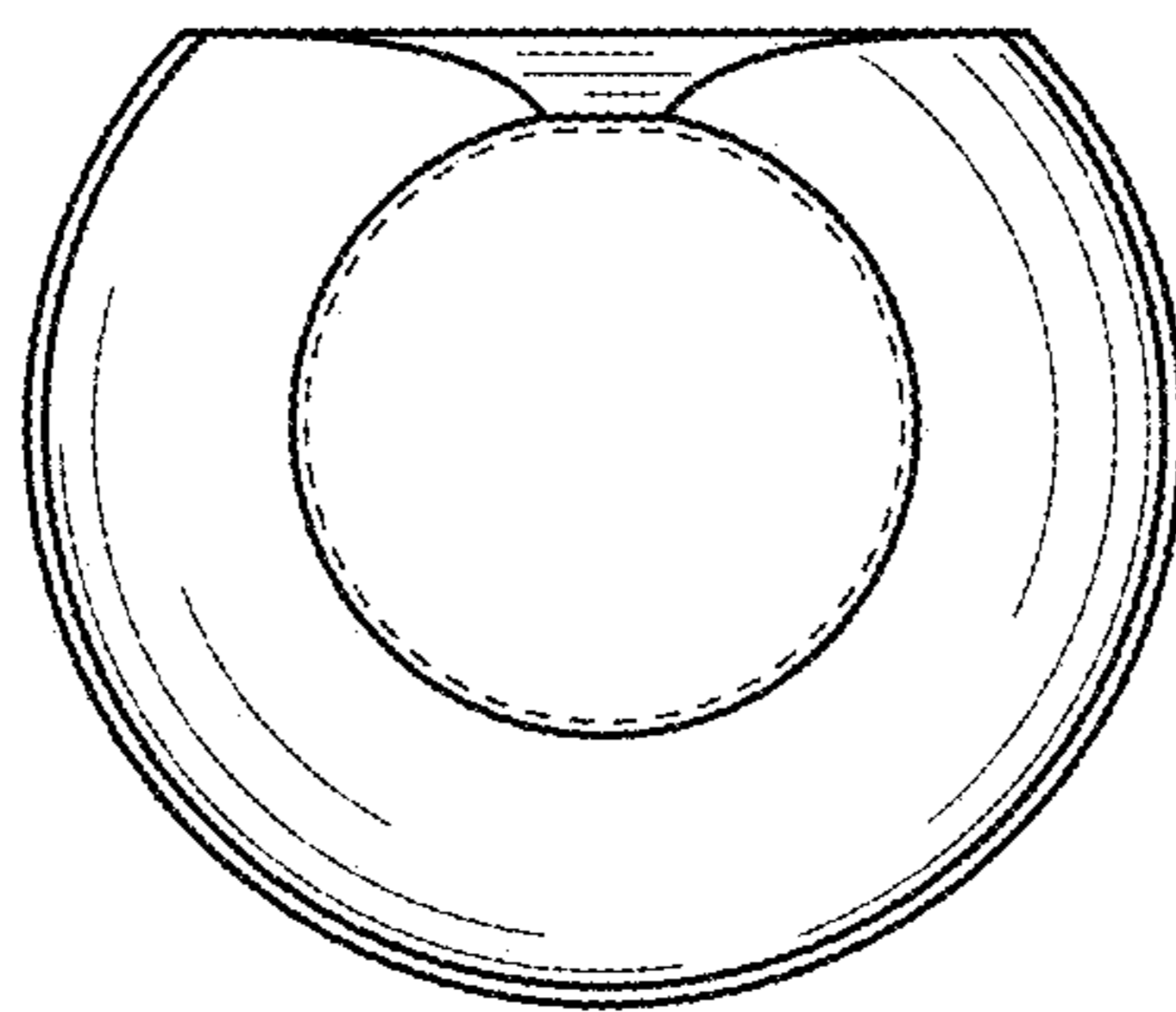


FIG. 7

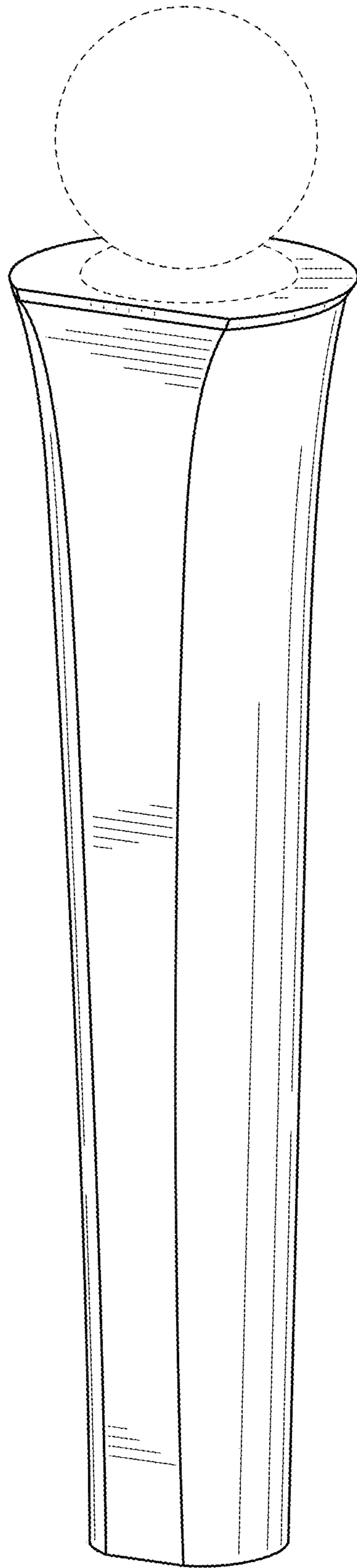


FIG. 8