



US00D923252S

(12) **United States Design Patent** (10) **Patent No.:** **US D923,252 S**
Kuo (45) **Date of Patent:** **** Jun. 22, 2021**

(54) **CARRYING CASE FOR COSMETICS**
(71) Applicant: **DI GUANG INTERNATIONAL ENTERPRISE LIMITED**, Taichung (TW)
(72) Inventor: **Ting-Wei Kuo**, Taichung (TW)
(73) Assignee: **DI GUANG INTERNATIONAL ENTERPRISE LIMITED**, Taichung (TW)

D838,411 S * 1/2019 Floyd D28/73
D846,264 S * 4/2019 Wu D3/201
D846,802 S * 4/2019 Nicoline D28/9
D858,790 S * 9/2019 Hsu D24/216
D871,674 S * 12/2019 Tan D28/57
D887,701 S * 6/2020 Schaepers D3/203.1
D888,408 S * 6/2020 Lee D3/201
D897,033 S * 9/2020 Rann D28/7
D905,904 S * 12/2020 Lee D28/9
D905,905 S * 12/2020 Lee D28/9

(**) Term: **15 Years**

(21) Appl. No.: **29/739,655**

(22) Filed: **Jun. 28, 2020**

(51) **LOC (13) Cl.** **28-03**

(52) **U.S. Cl.**
USPC **D28/82**

(58) **Field of Classification Search**
USPC D28/82, 5, 4, 7, 9, 73, 76, 77, 83, 99;
D9/758, 757, 760, 751, 737; D3/315,
D3/316, 201, 202, 203.1
CPC B65D 71/00; B65D 71/0062; B65D
71/0074; B65D 71/0007; B65D 71/0011;
B65D 71/06; B65D 71/16; B65D 71/36;
B65D 71/50; A61J 1/06; A61J 1/16; A61J
1/00

See application file for complete search history.

(56) **References Cited**

U.S. PATENT DOCUMENTS

D248,357 S * 7/1978 Daenen D7/505
D411,446 S * 6/1999 Cautereels D9/757
D446,881 S * 8/2001 Angeletta D28/7
D469,320 S * 1/2003 Pettaweebuncha D7/629
D560,312 S * 1/2008 Washington D28/73
D587,567 S * 3/2009 Peyser D9/424
D617,149 S * 6/2010 Olivari D7/629
D634,970 S * 3/2011 Pallotto D7/354

OTHER PUBLICATIONS

Travel case By: Samsonite found on line Apr. 19, 2021 [https://shop.samsonite.com/luggage/underseat-luggage/freeform-110-train-case/1350434544.html?src=\(1/21\).](https://shop.samsonite.com/luggage/underseat-luggage/freeform-110-train-case/1350434544.html?src=(1/21).)*

* cited by examiner

Primary Examiner — Marissa J Cash
Assistant Examiner — Rebecca Tsehaye
(74) *Attorney, Agent, or Firm* — Bruce Stone LLP;
Joseph A. Bruce

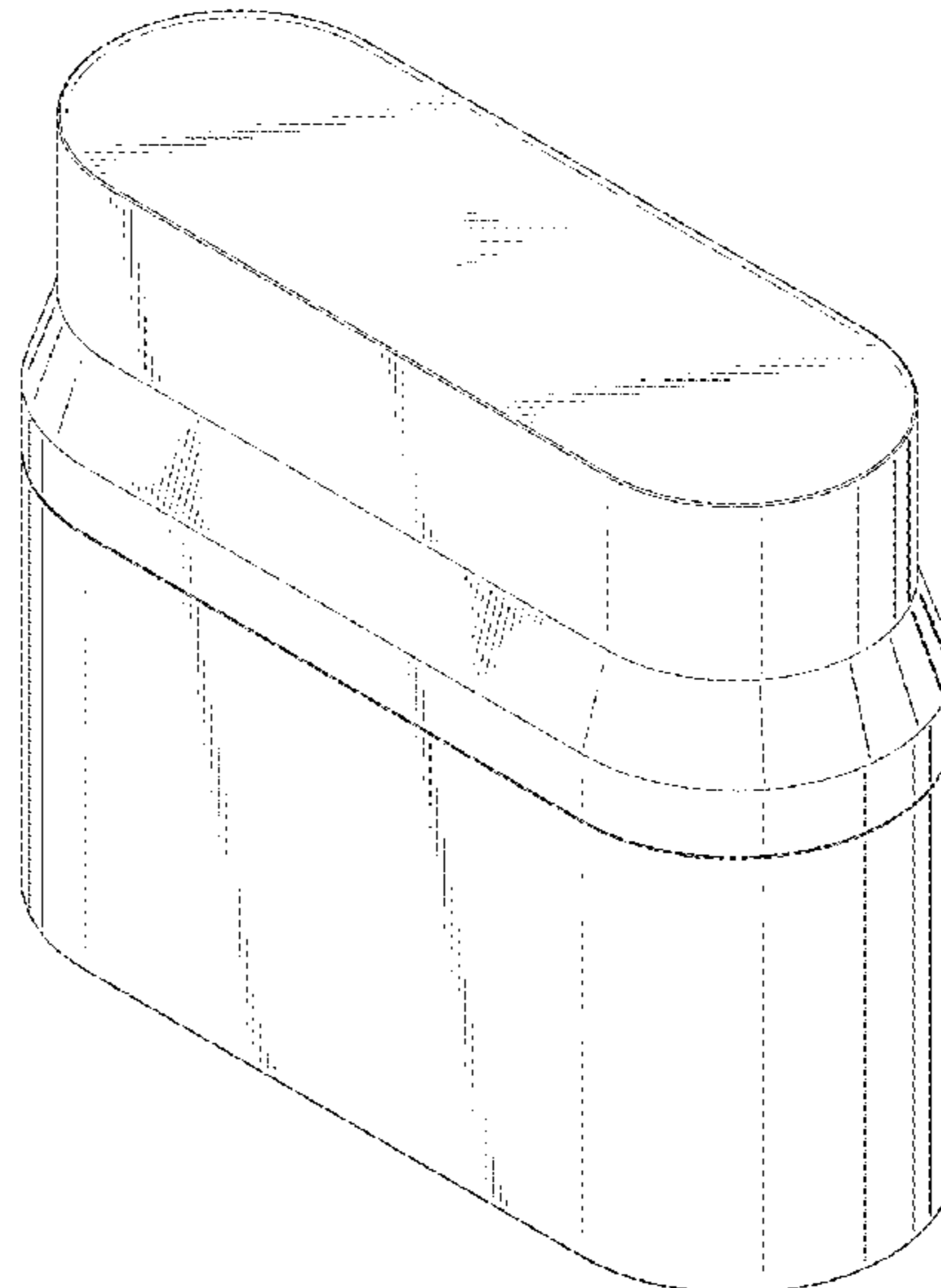
(57) **CLAIM**

The ornamental design for a carrying case for cosmetics, as shown.

DESCRIPTION

FIG. 1 is a perspective view of a carrying case for cosmetics showing my new design;
FIG. 2 is a front view thereof; the rear view is omitted due to identical with front view;
FIG. 3 is a right side view thereof; the left side view is omitted due to identical with right side view;
FIG. 4 is a top plan view thereof;
FIG. 5 is a bottom plan view thereof; and,
FIG. 6 is perspective view thereof shown in use.
The broken lines in the drawings represent unclaimed environment only and form no part of claimed design.

1 Claim, 4 Drawing Sheets



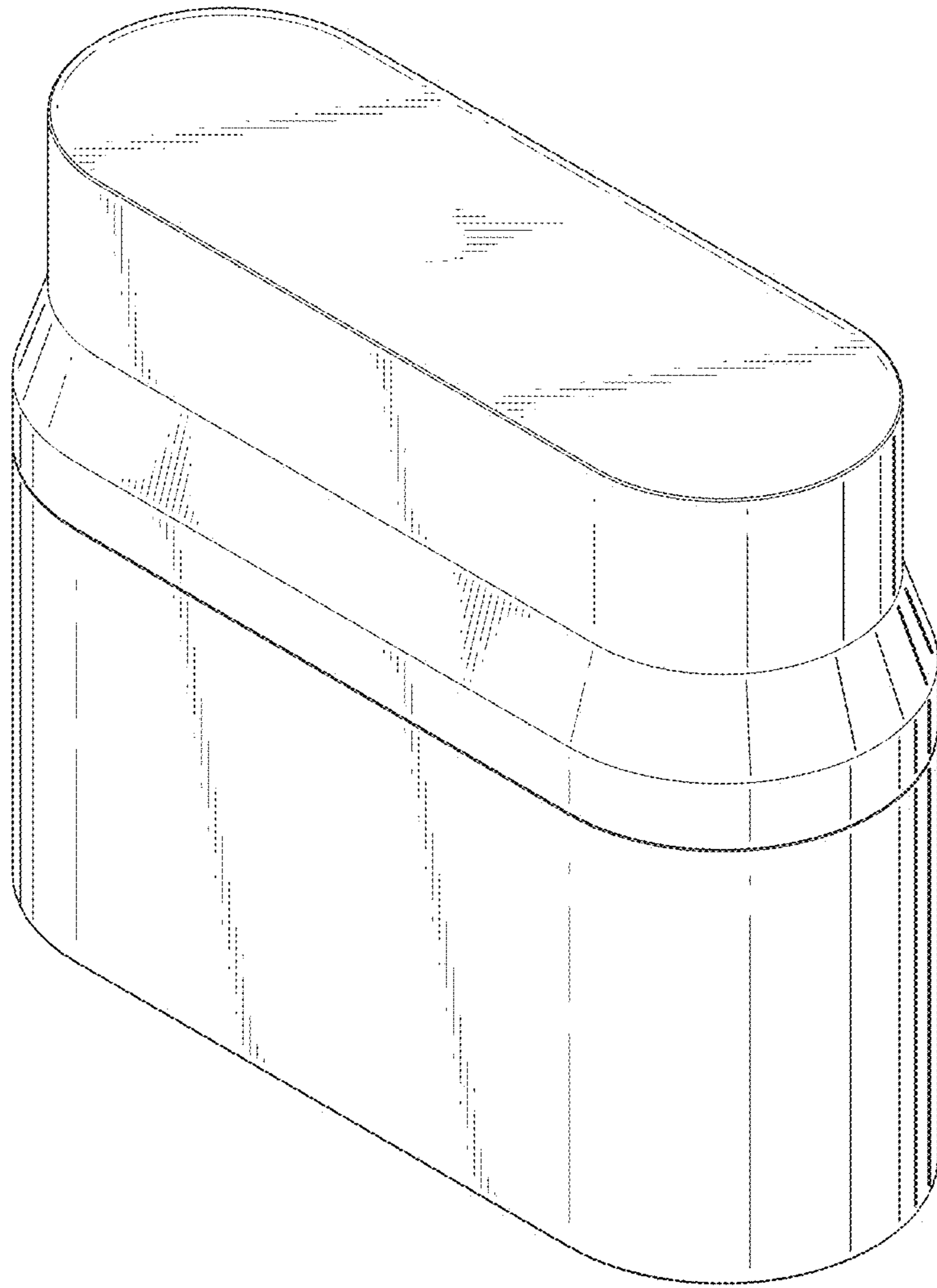


FIG.1

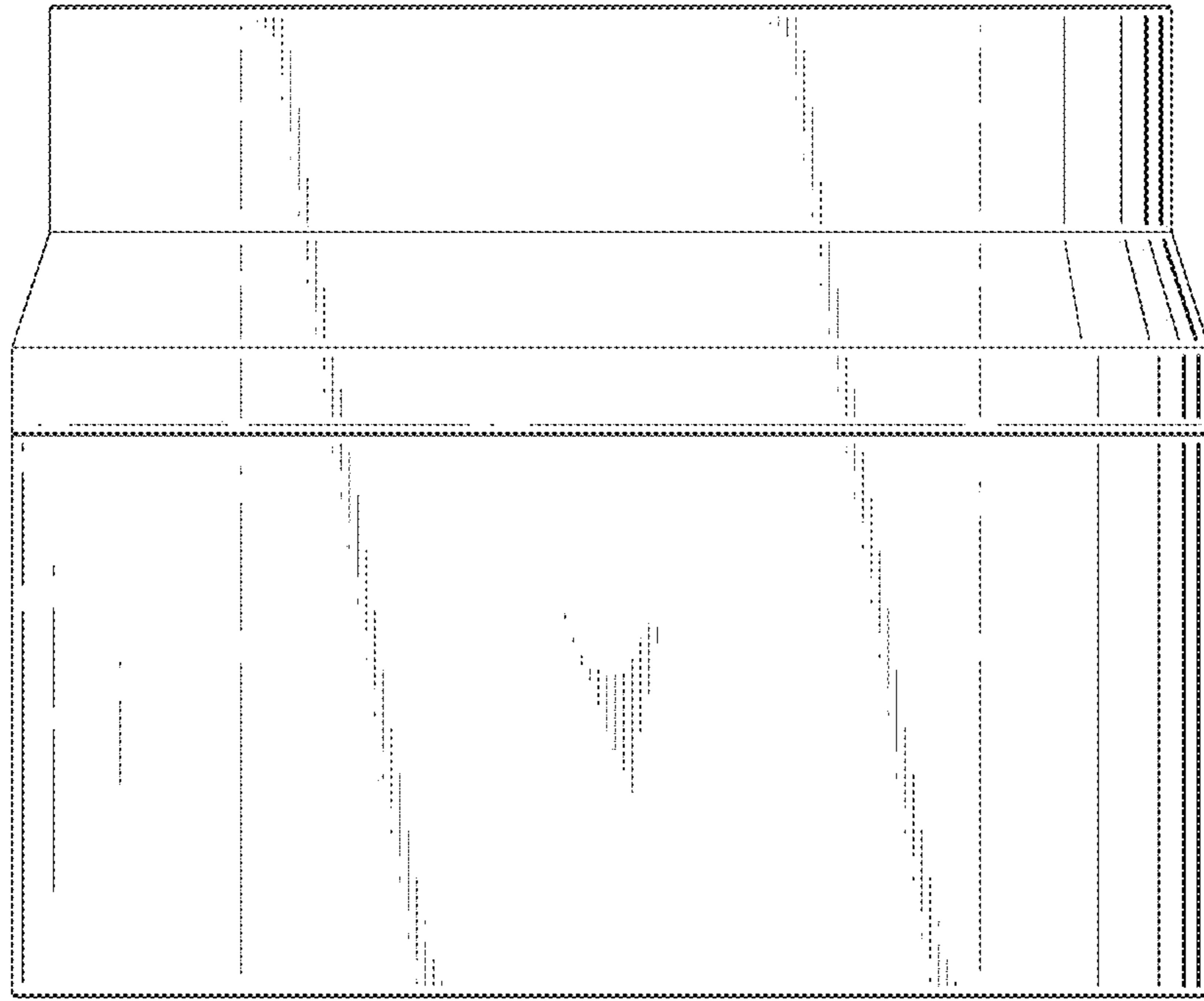


FIG. 2

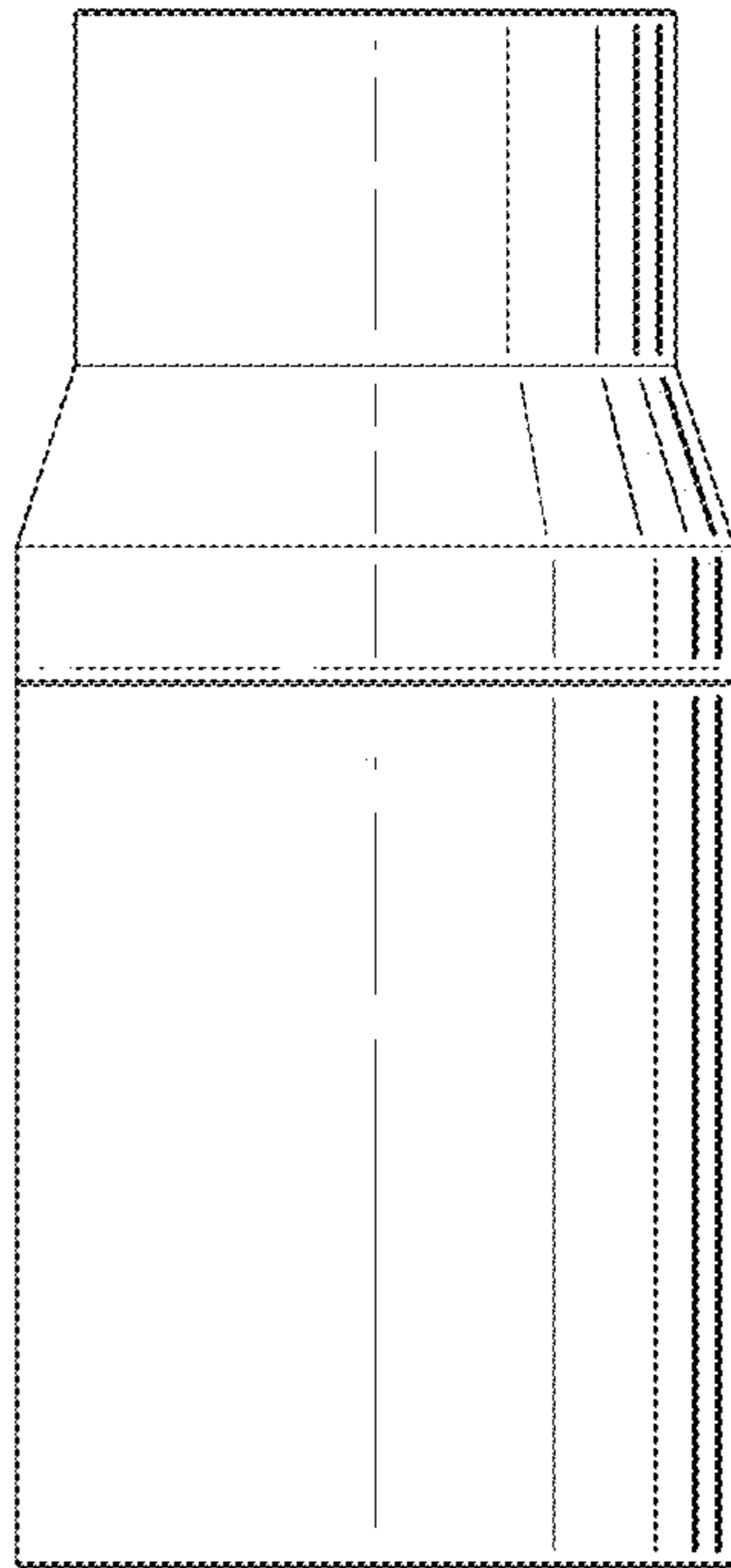


FIG. 3

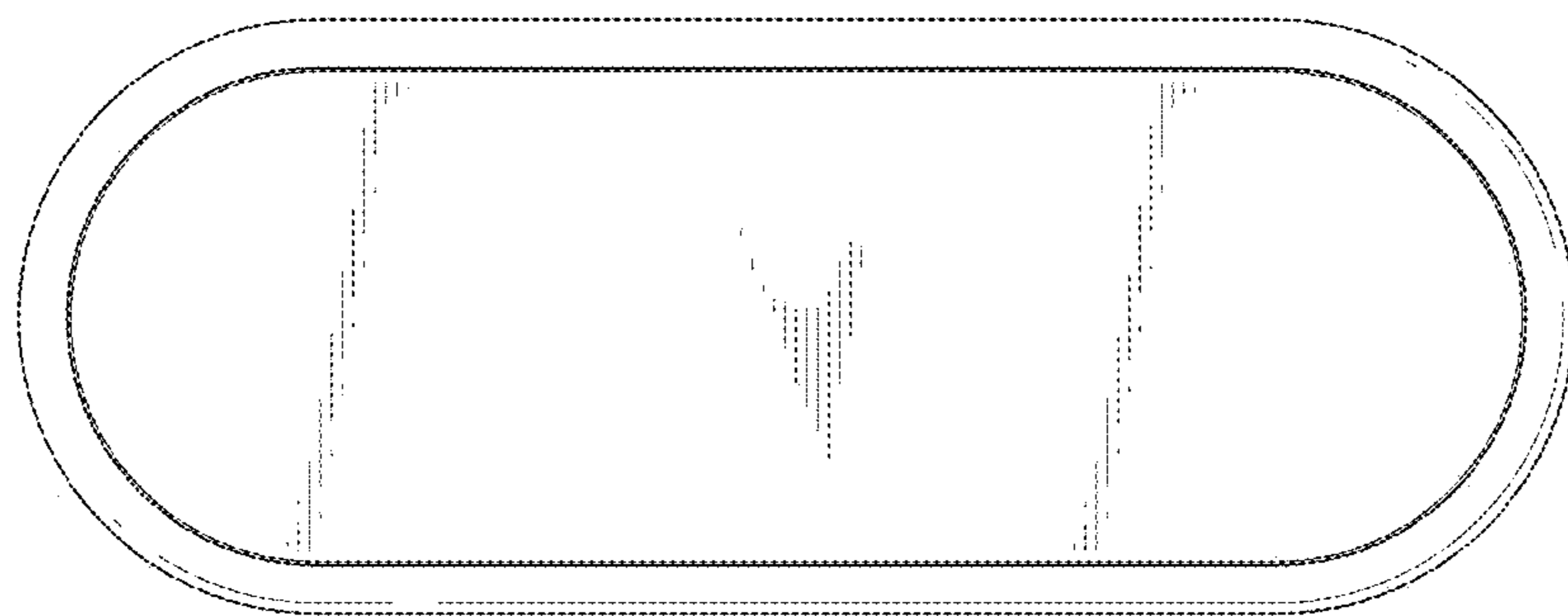


FIG.4

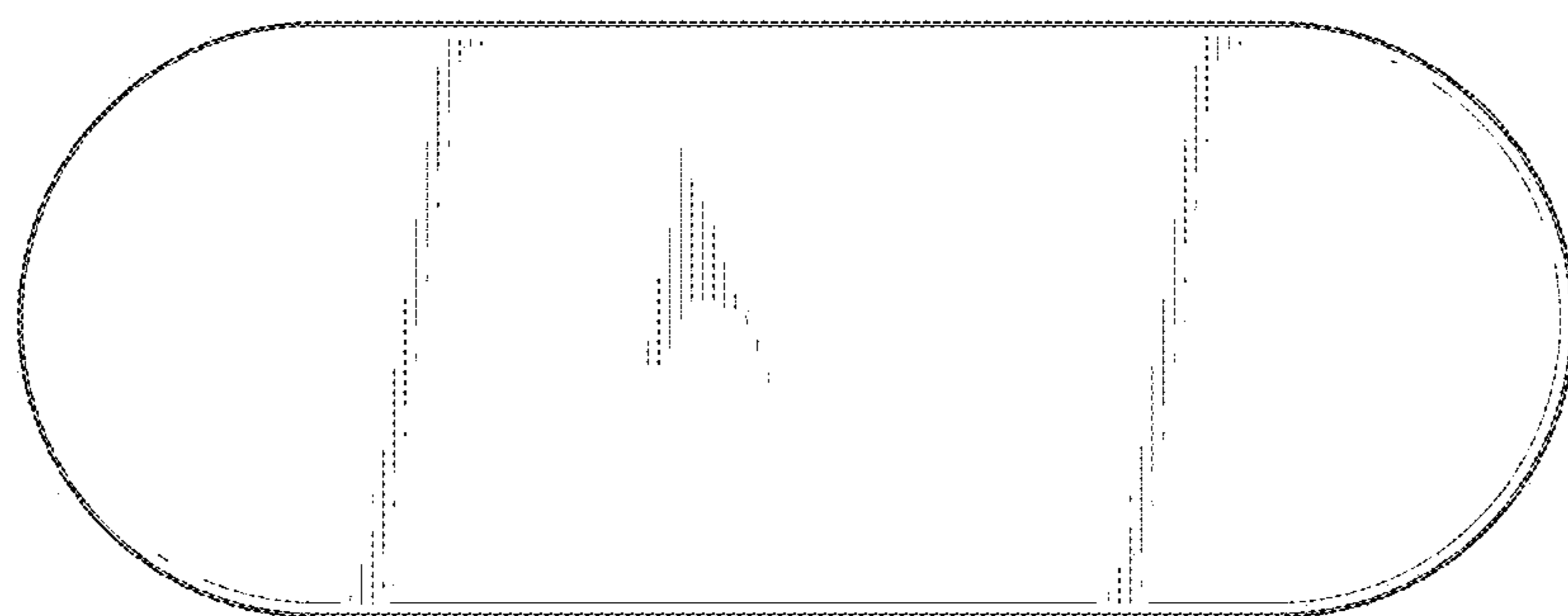


FIG.5

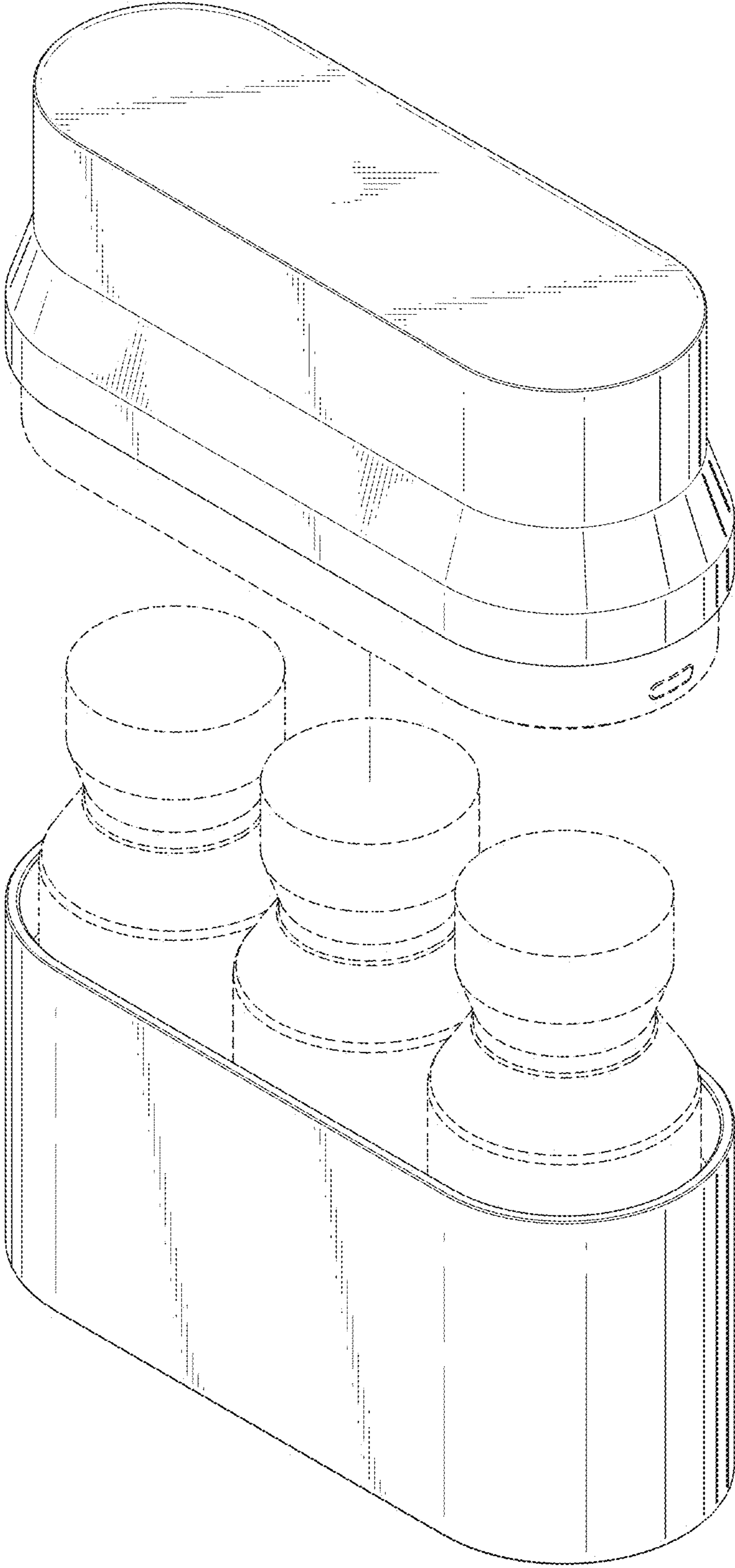


FIG.6