



US00D923250S

(12) **United States Design Patent** (10) **Patent No.:** **US D923,250 S**  
**Jiang** (45) **Date of Patent:** **\*\* Jun. 22, 2021**

- (54) **ELECTRIC HAIR CLIPPER**
- (71) Applicant: **NINGBO ICLIPPER ELECTRIC APPLIANCE CO., LTD.**, Ningbo (CN)
- (72) Inventor: **Qi Jiang**, Ningbo (CN)
- (\*\*) Term: **15 Years**
- (21) Appl. No.: **29/757,299**
- (22) Filed: **Nov. 5, 2020**
- (51) **LOC (13) Cl.** ..... **28-03**
- (52) **U.S. Cl.**  
USPC ..... **D28/54**
- (58) **Field of Classification Search**  
USPC ..... D28/49-54  
CPC .. B26B 19/38-3826; B26B 19/384-48; B26B 19/12; B26B 19/20-24; B26B 19/00-107  
See application file for complete search history.

(56) **References Cited**  
U.S. PATENT DOCUMENTS

D436,229 S *	1/2001	Eguchi .....	D28/53
D462,482 S *	9/2002	Rizzuto, Jr. ....	D28/53
D464,466 S *	10/2002	Rizzuto, Jr. ....	D28/53
D556,379 S	11/2007	Akahori .....	
D696,459 S *	12/2013	Chan .....	D28/53
D814,702 S *	4/2018	Aulwes .....	D28/53
D853,646 S *	7/2019	Boulanger .....	D28/53
D867,662 S *	11/2019	Cociffi .....	D28/53
D867,663 S *	11/2019	Boulanger .....	D28/53
D897,603 S *	9/2020	Zhang .....	D28/53
D905,344 S *	12/2020	Wang .....	D28/51
D905,345 S *	12/2020	Carlucci .....	D28/53
D910,918 S *	2/2021	Jiang .....	D28/53
D910,919 S *	2/2021	Jiang .....	D28/53

2001/0004896 A1*	6/2001	Chaouachi .....	B26B 19/20 132/213.1
2012/0017928 A1*	1/2012	Raskin .....	A45D 7/00 132/200
2020/0376694 A1*	12/2020	Carlucci .....	B26B 19/205

**OTHER PUBLICATIONS**

iClipper Ningbo Electric Appliances, www.iclipper.en.alibaba.com, 1 page, downloaded Apr. 21, 2021 (Year: 2021).\*

\* cited by examiner

*Primary Examiner* — Jennifer Rivard

(57) **CLAIM**

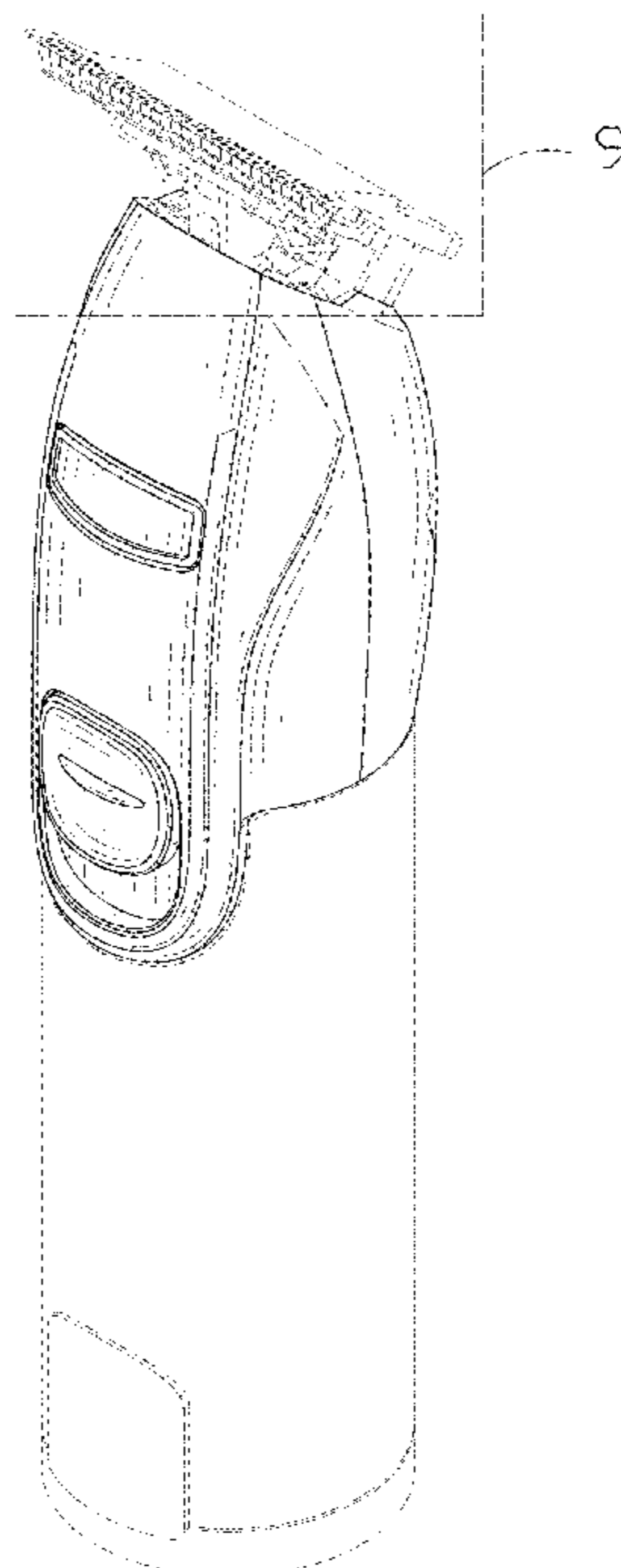
The ornamental design for an electric hair clipper, as shown and described.

**DESCRIPTION**

FIG. 1 is a front and top perspective view of an electric hair clipper, showing my new design;  
 FIG. 2 is a rear and bottom perspective view thereof;  
 FIG. 3 is a front elevational view thereof;  
 FIG. 4 is a rear elevational view thereof;  
 FIG. 5 is a left side elevational view thereof;  
 FIG. 6 is a right side elevational view thereof;  
 FIG. 7 is a top plan view thereof;  
 FIG. 8 is a bottom plan view thereof; and,  
 FIG. 9 is an enlarged view of a portion indicated with numeric 9 in FIG. 1.

The broken lines in the figures illustrate portions of the electric hair clipper that form no part of the claimed design. The dash dot dash lines in FIGS. 1 and 9 are for the purpose of depicting the cut line of the enlarged view and form no part of the claim.

**1 Claim, 9 Drawing Sheets**



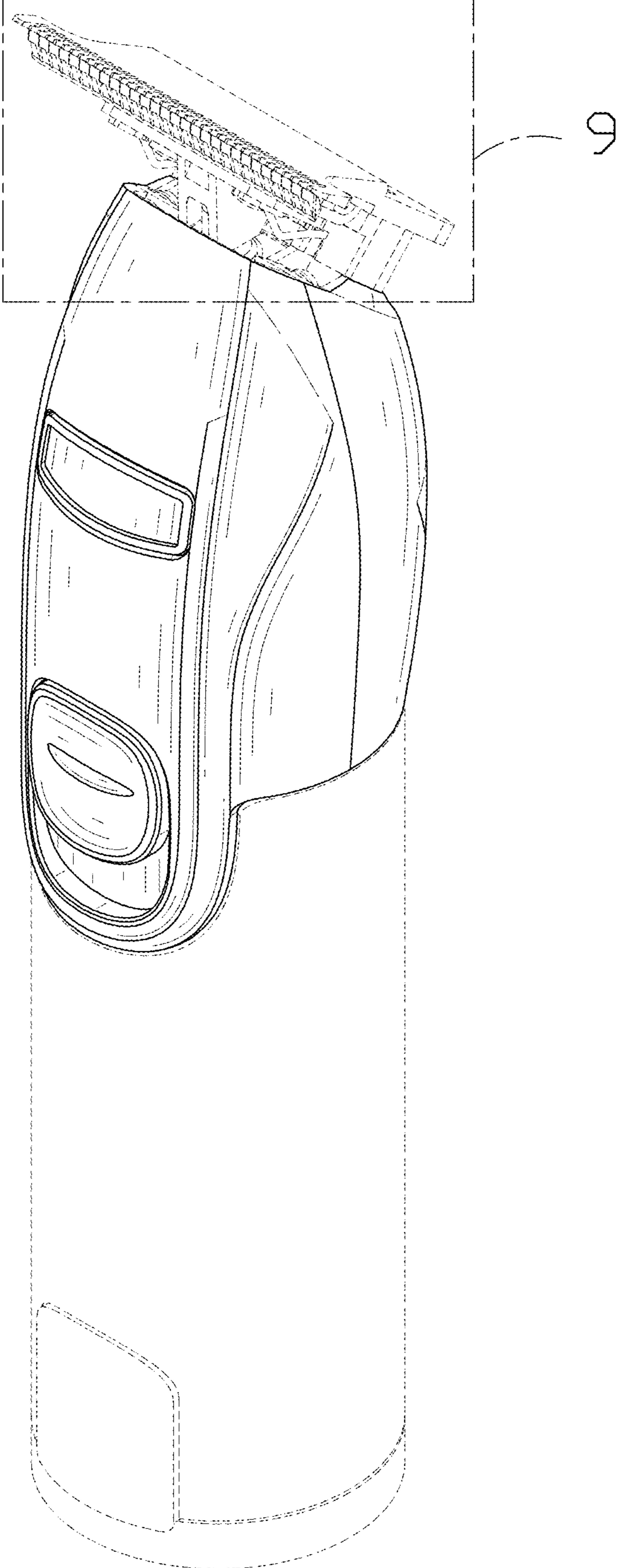


FIG. 1

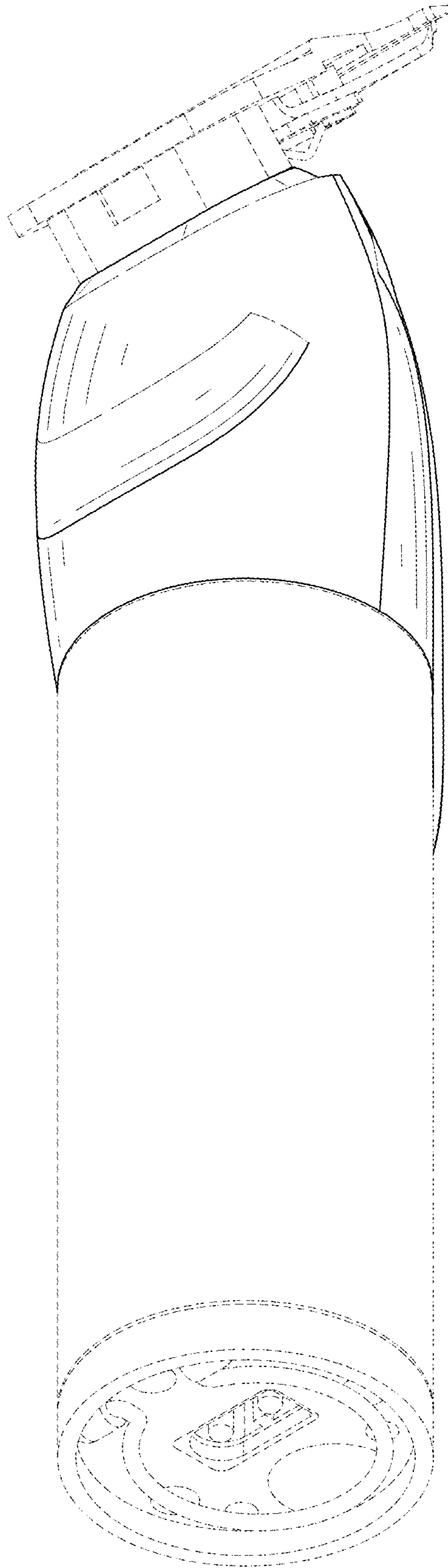


FIG. 2

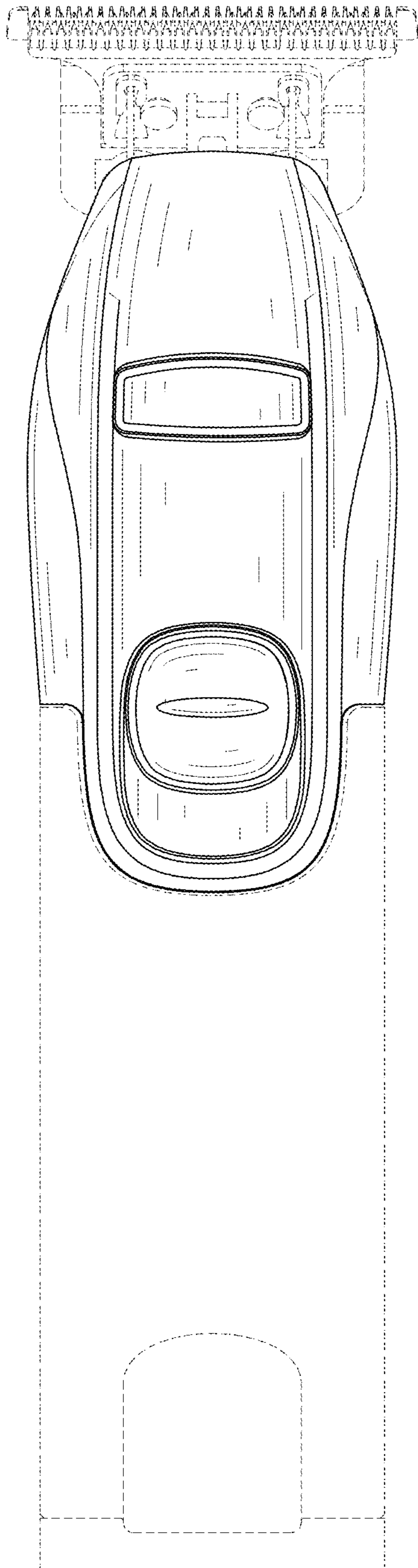


FIG. 3

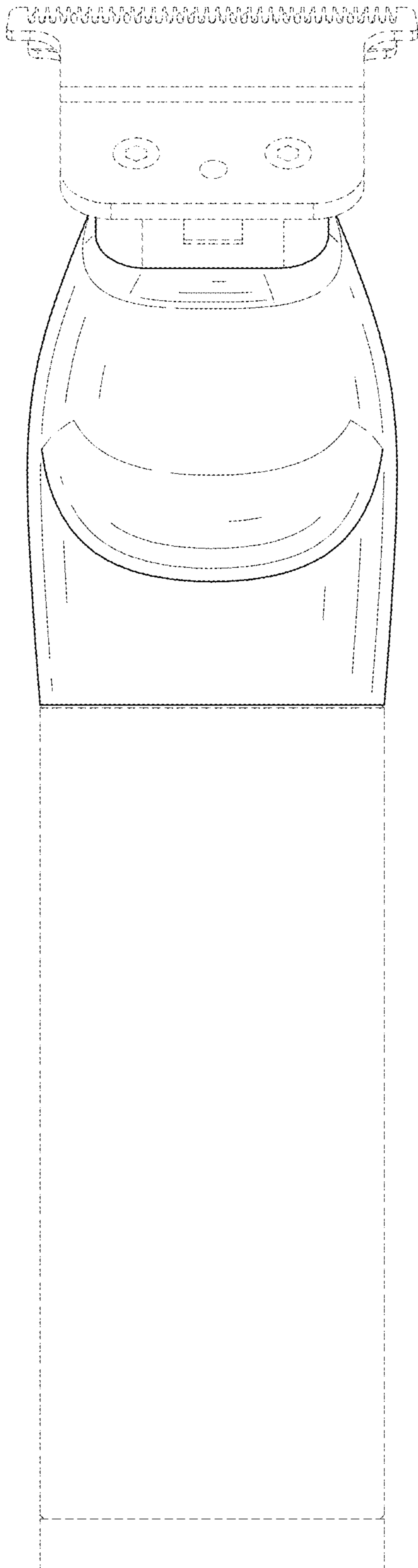


FIG. 4

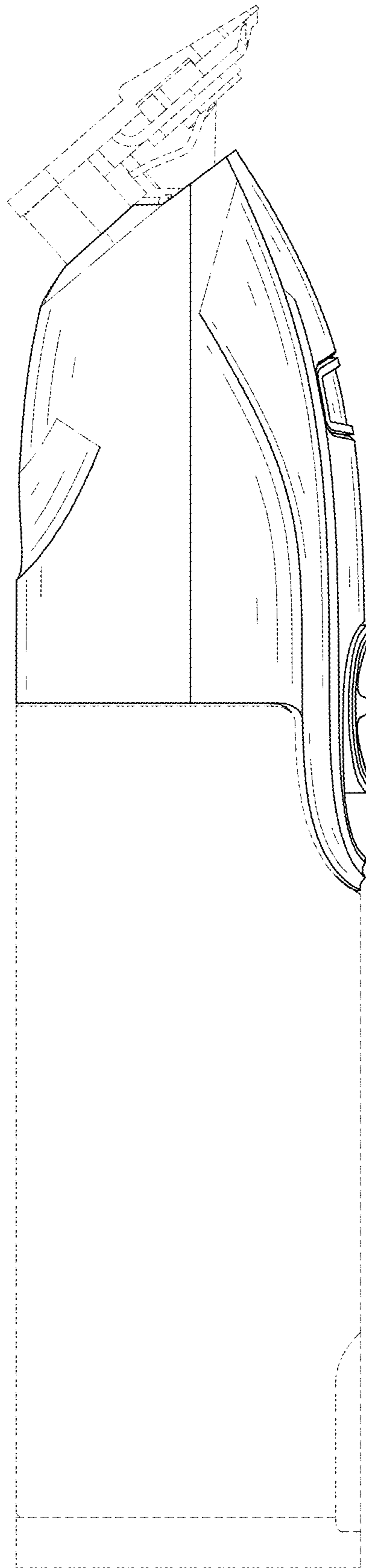


FIG. 5

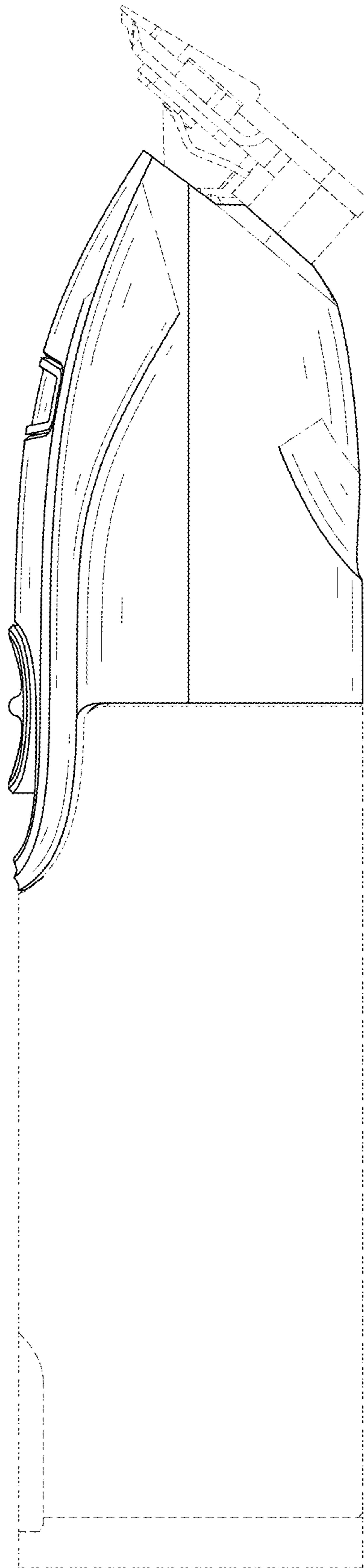


FIG. 6

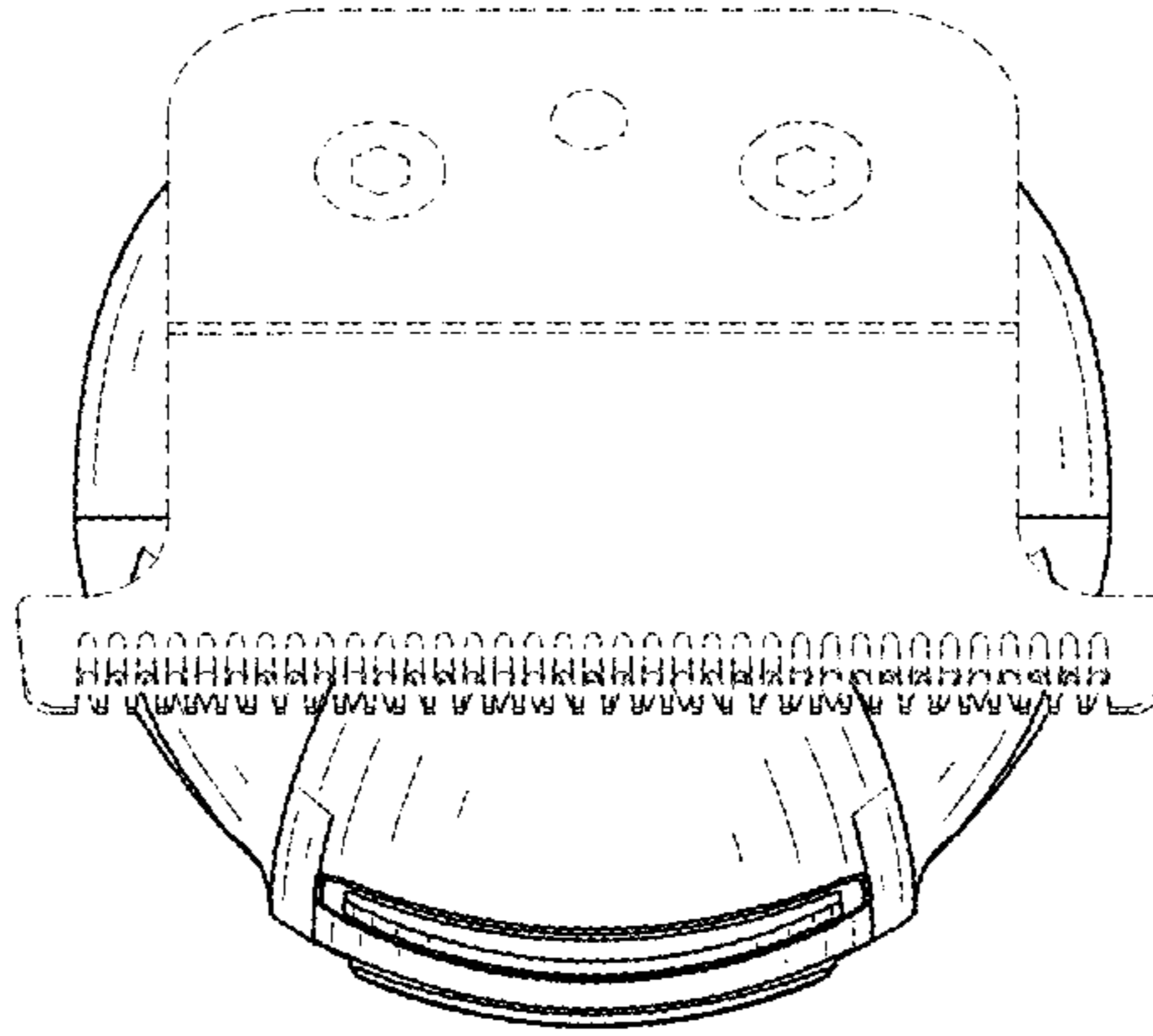


FIG. 7



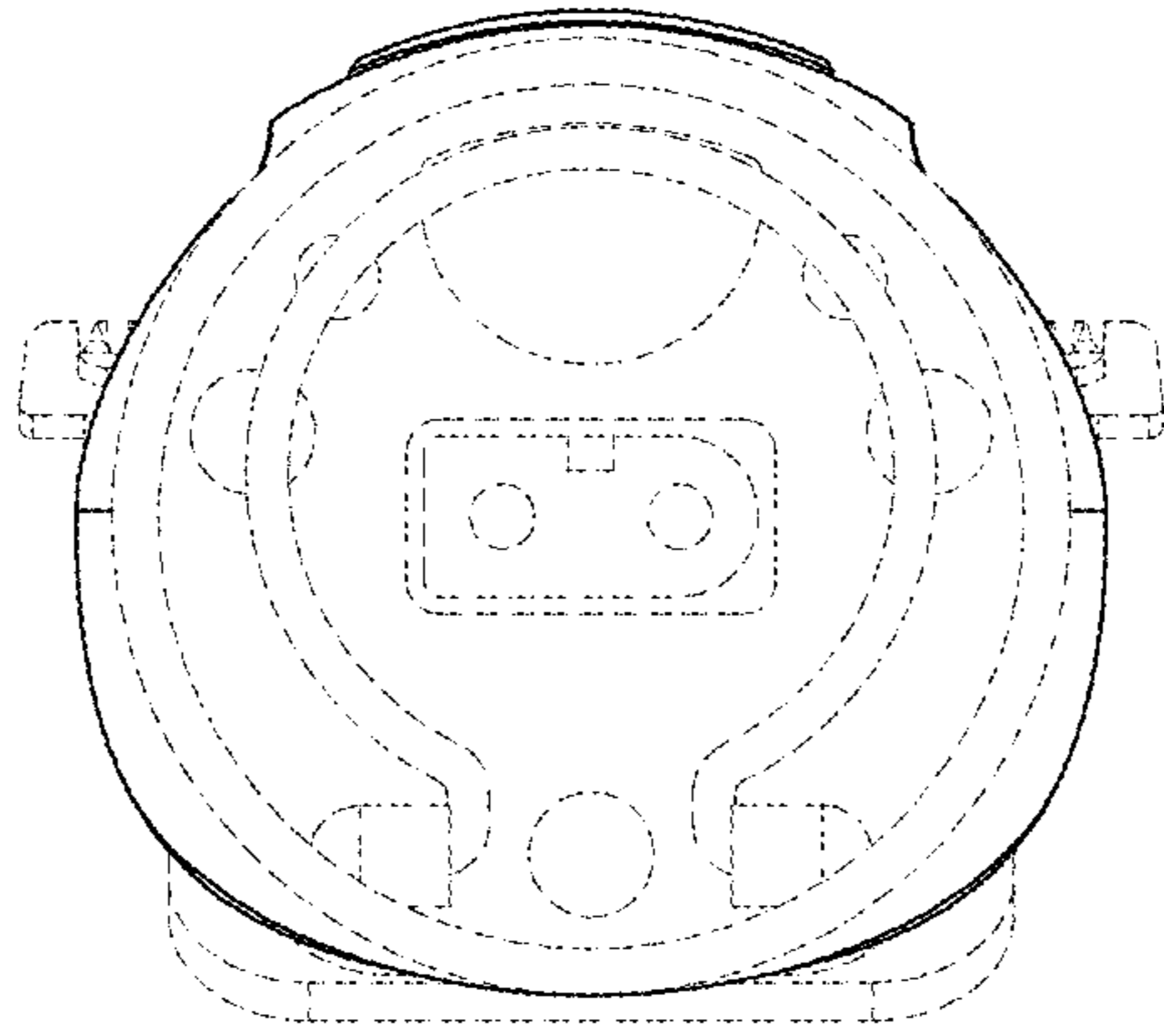


FIG. 8

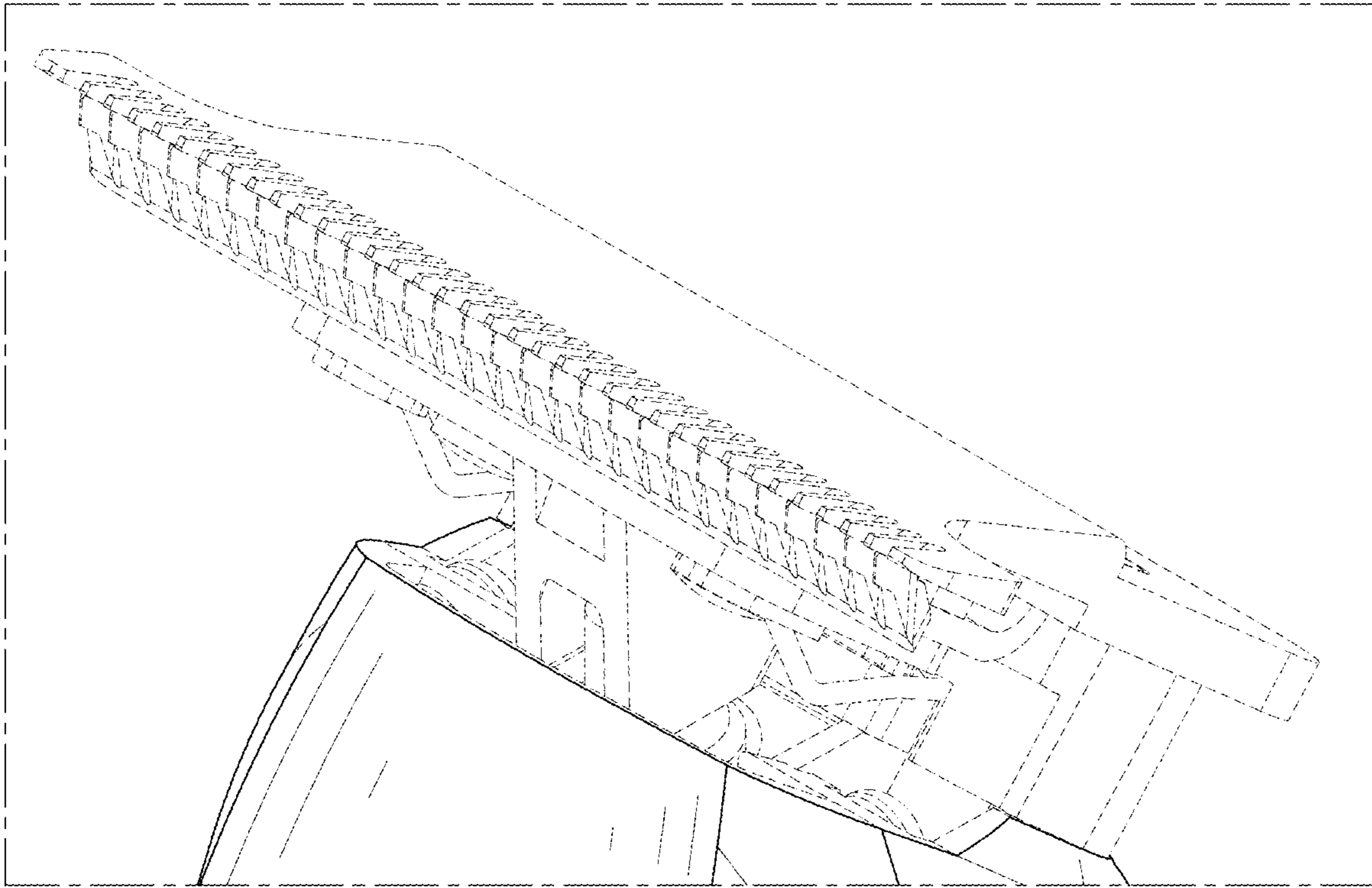


FIG. 9