



US00D923249S

(12) **United States Design Patent**
Jiang

(10) **Patent No.:** **US D923,249 S**

(45) **Date of Patent:** **** Jun. 22, 2021**

(54) **ELECTRIC HAIR CLIPPER**

(71) Applicant: **NINGBO ICLIPPER ELECTRIC APPLIANCE CO., LTD.**, Ningbo (CN)

(72) Inventor: **Qi Jiang**, Ningbo (CN)

(**) Term: **15 Years**

(21) Appl. No.: **29/760,310**

(22) Filed: **Nov. 30, 2020**

(51) **LOC (13) Cl.** **28-03**

(52) **U.S. Cl.**
USPC **D28/53**

(58) **Field of Classification Search**
USPC D28/49-54
CPC B26B 19/38-13826; B26B 19/384-48;
B26B 19/12; B26B 19/20-24; B26B
19/00-107
See application file for complete search history.

(56) **References Cited**

U.S. PATENT DOCUMENTS

D435,936 S *	1/2001	Long	D28/54
D556,379 S	11/2007	Akahori		
9,038,276 B2 *	5/2015	Arndt	B26B 19/06 30/208
D844,245 S *	3/2019	Wu	D28/53
D846,192 S *	4/2019	Wu	D28/53
D911,611 S *	2/2021	Jiang	D28/53
D911,612 S *	2/2021	Jiang	D28/53

D911,613 S *	2/2021	Jiang	D28/53
D911,614 S *	2/2021	Jiang	D28/53
D912,327 S *	3/2021	Jiang	D28/53
D912,328 S *	3/2021	Jiang	D28/53
2017/0305021 A1 *	10/2017	Skuhra	B26B 19/3866

OTHER PUBLICATIONS

Iclipper, www.alibaba.com, downloaded Apr. 21, 2021, 1 page.*

* cited by examiner

Primary Examiner — Jennifer Rivard

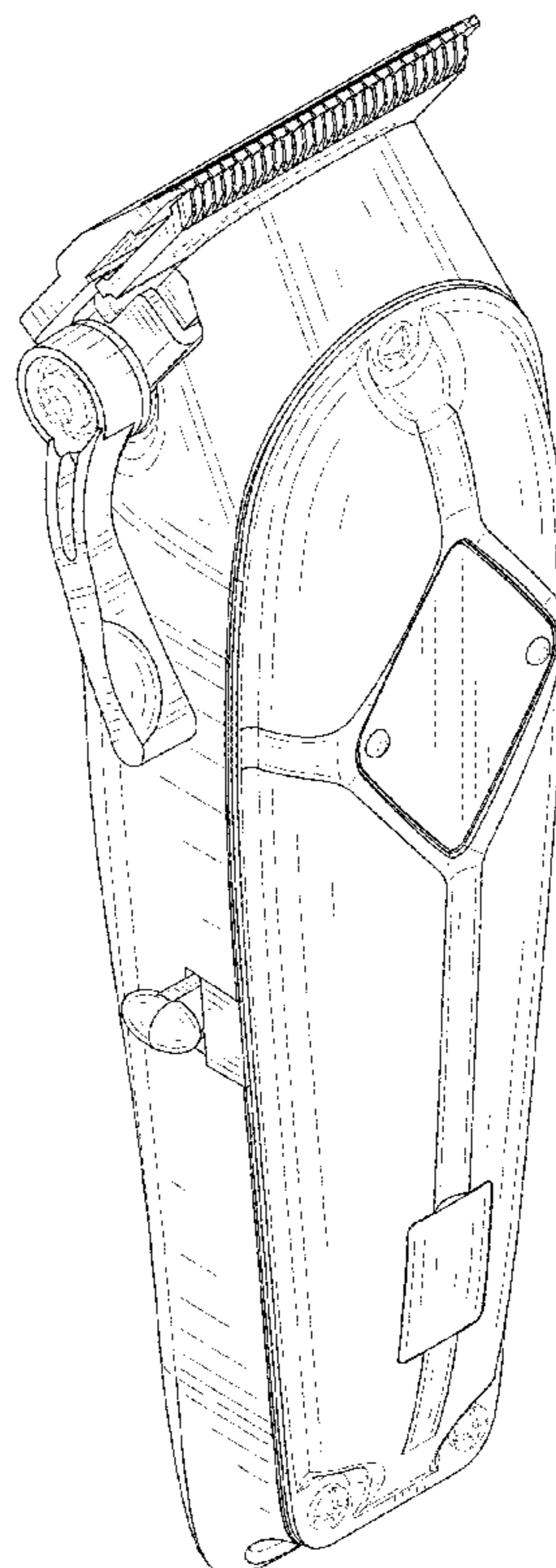
(57) **CLAIM**

The ornamental design for an electric hair clipper, as shown and described.

DESCRIPTION

FIG. 1 is a front and top perspective view of an electric hair clipper, showing my new design;
FIG. 2 is a rear and bottom perspective view thereof;
FIG. 3 is a front elevational view thereof;
FIG. 4 is a rear elevational view thereof;
FIG. 5 is a left side elevational view thereof;
FIG. 6 is a right side elevational view thereof;
FIG. 7 is a top plan view thereof; and,
FIG. 8 is a bottom plan view thereof.
The broken lines in the figures illustrate portions of the electric hair clipper that form no part of the claimed design.

1 Claim, 8 Drawing Sheets



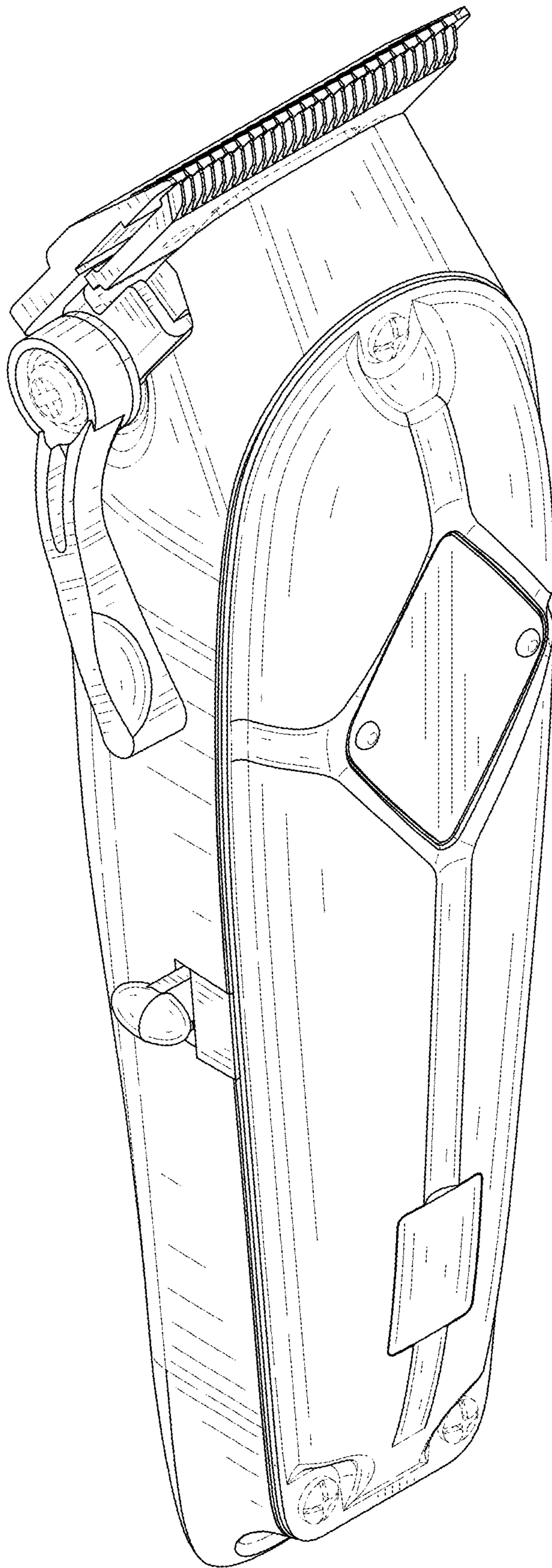


FIG. 1

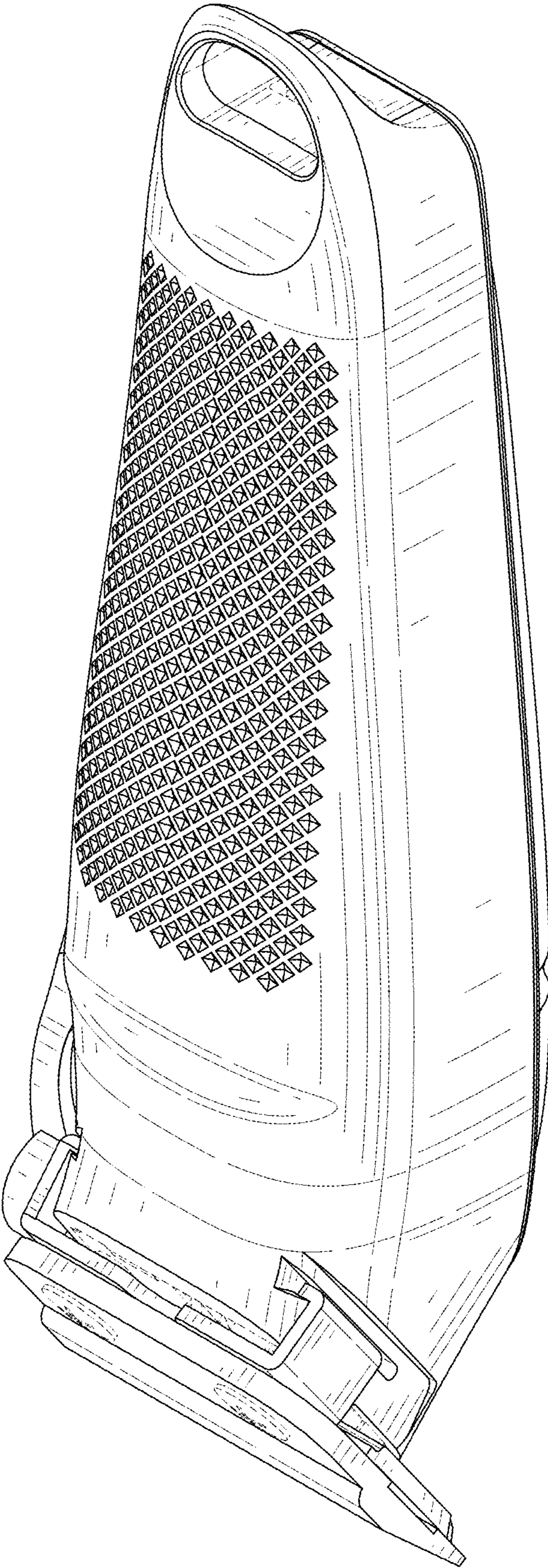


FIG. 2

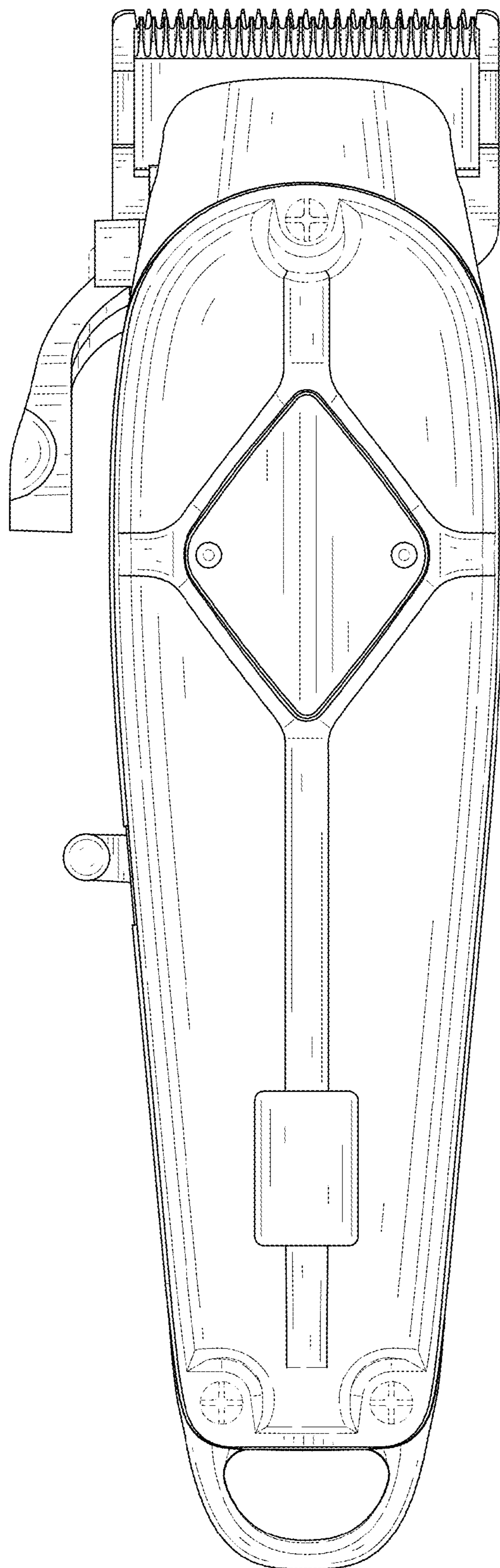


FIG. 3

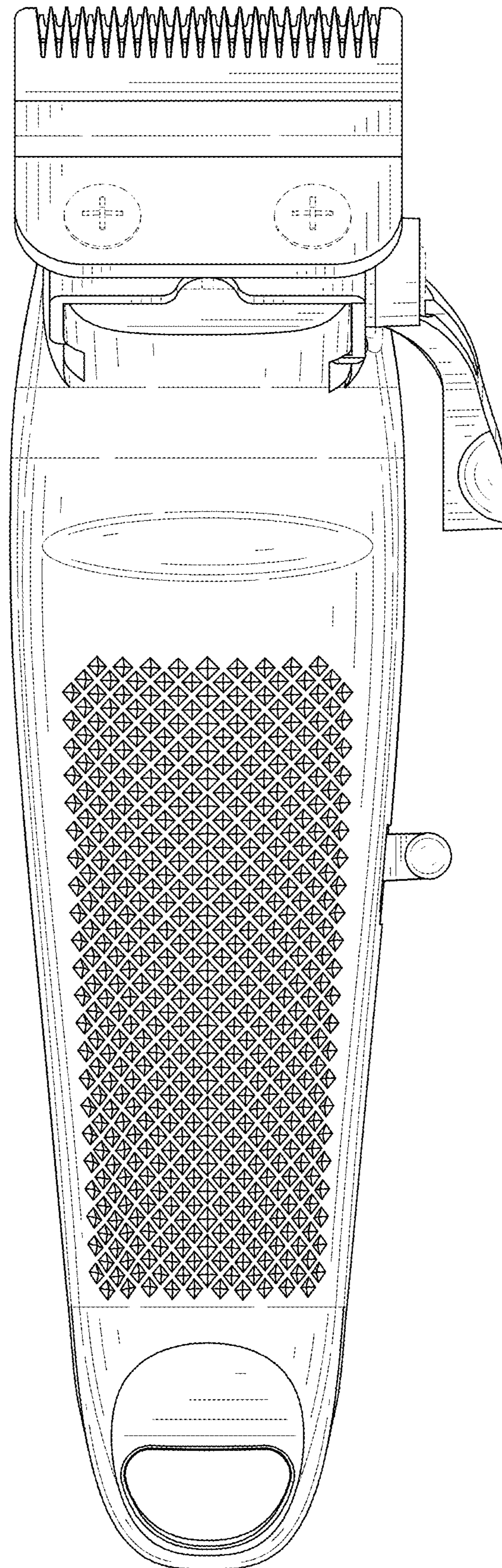


FIG. 4

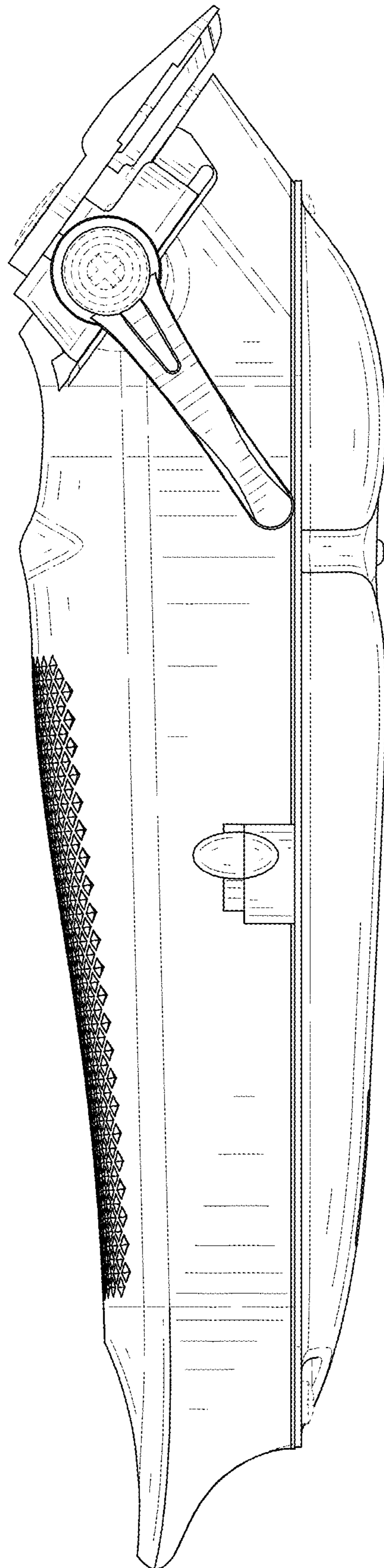


FIG. 5

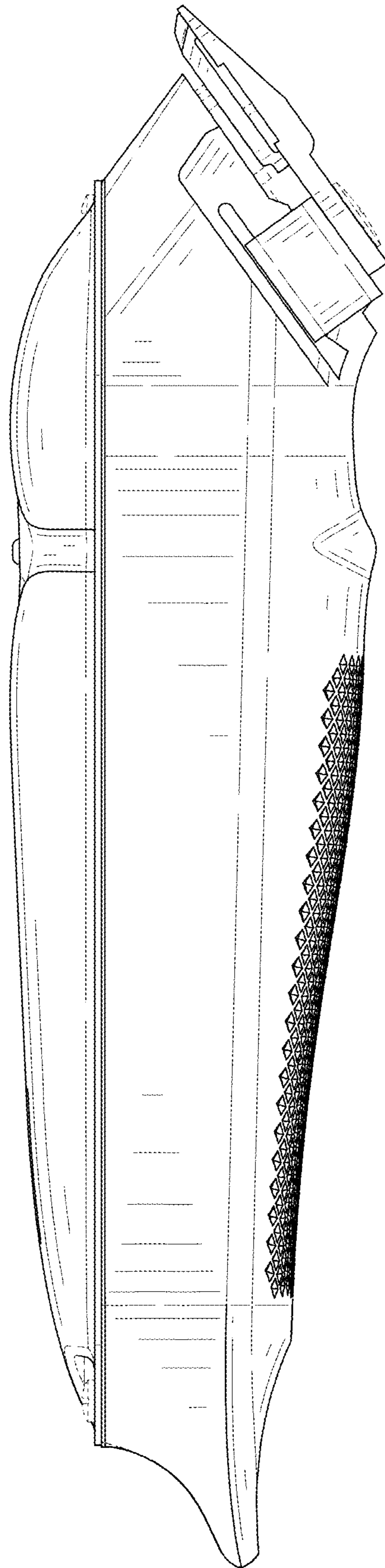


FIG. 6

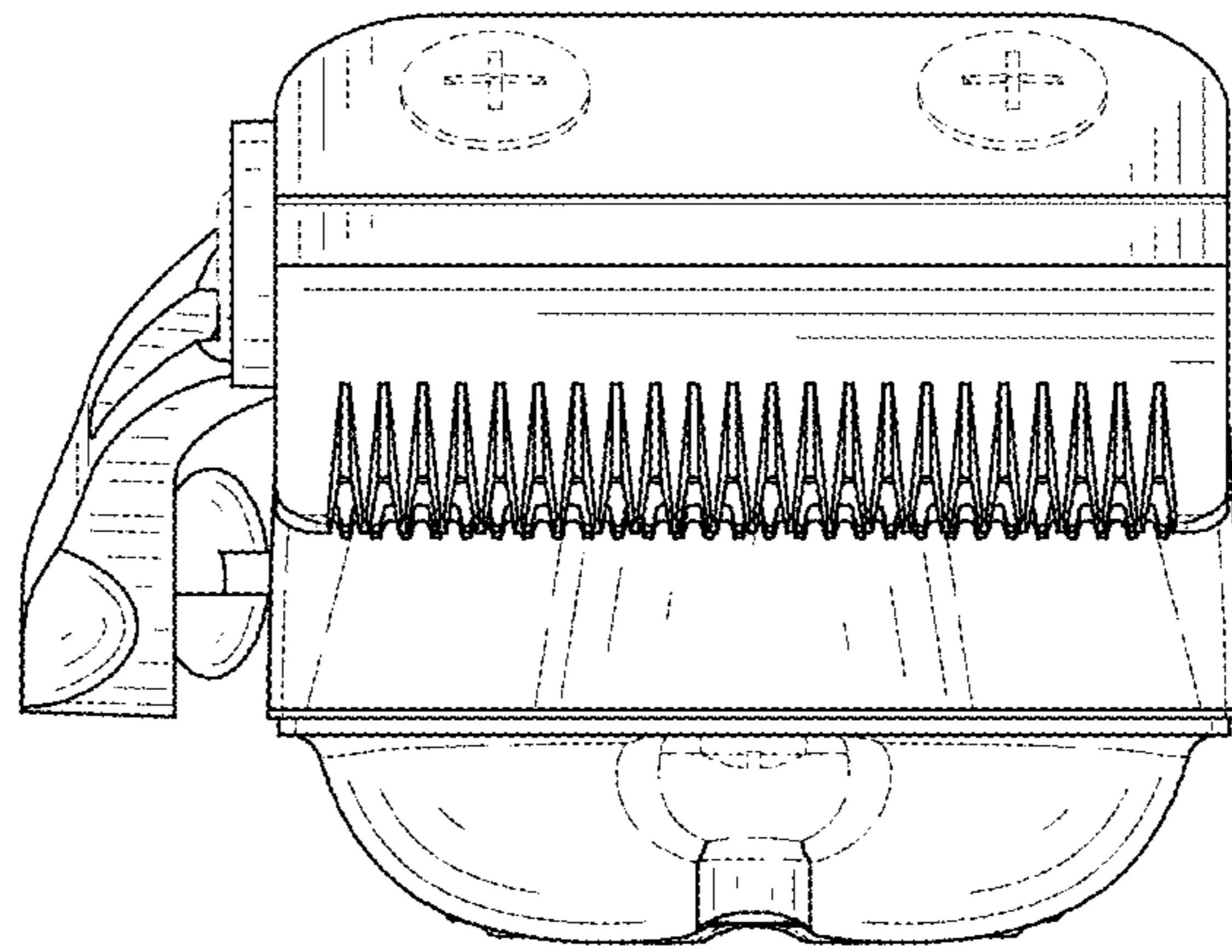


FIG. 7

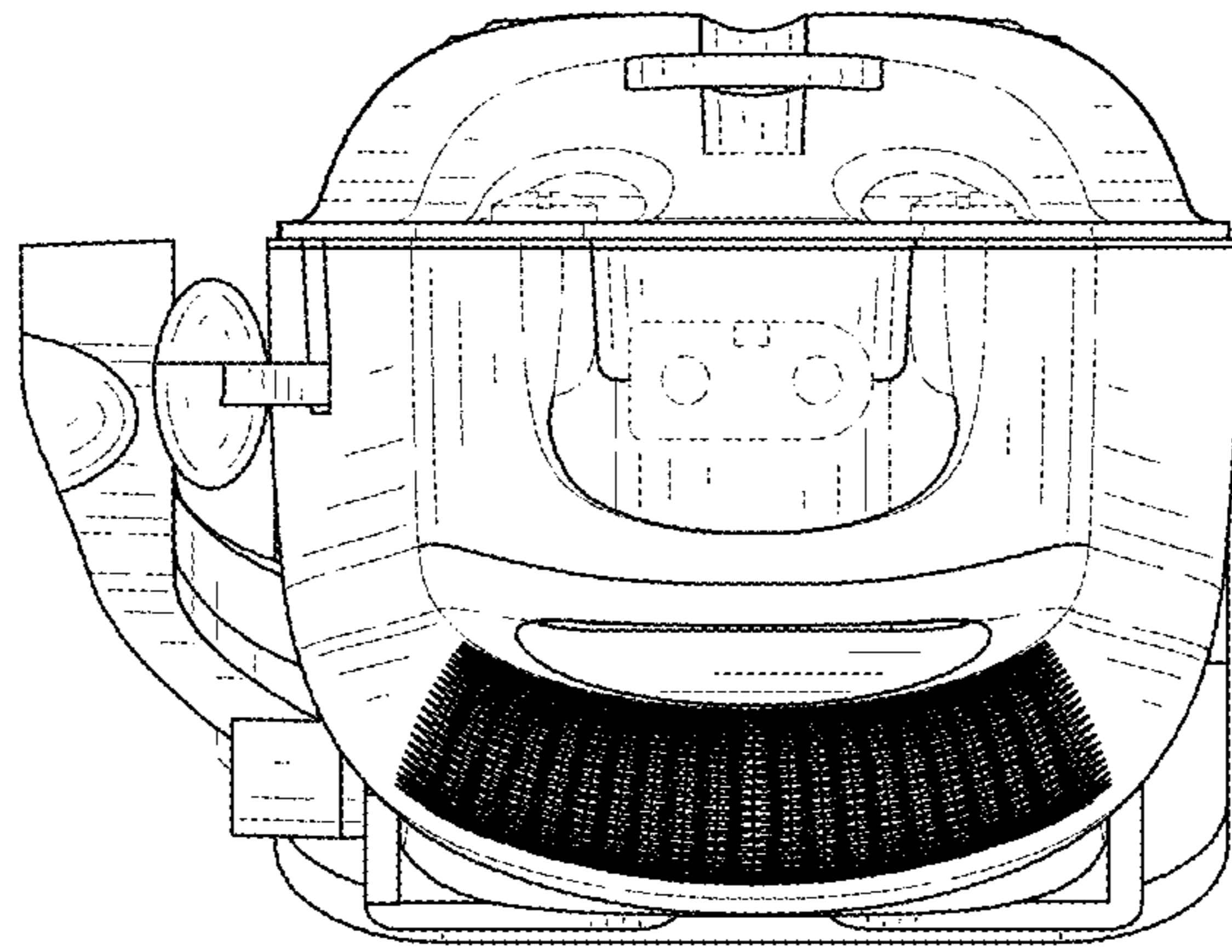


FIG. 8