



US00D923248S

(12) **United States Design Patent**  
**Jiang**

(10) **Patent No.:** **US D923,248 S**

(45) **Date of Patent:** **\*\* Jun. 22, 2021**

- (54) **ELECTRIC HAIR CLIPPER**
- (71) Applicant: **NINGBO ICLIPPER ELECTRIC APPLIANCE CO., LTD.**, Ningbo (CN)
- (72) Inventor: **Qi Jiang**, Ningbo (CN)
- (\*\*) Term: **15 Years**
- (21) Appl. No.: **29/756,374**
- (22) Filed: **Oct. 28, 2020**
- (51) **LOC (13) Cl.** ..... **28-03**
- (52) **U.S. Cl.**  
USPC ..... **D28/53**
- (58) **Field of Classification Search**  
USPC ..... D28/49–54  
CPC .. B26B 19/38–3826; B26B 19/384–48; B26B 19/12; B26B 19/20–24; B26B 19/00–107  
See application file for complete search history.

- 2001/0004896 A1\* 6/2001 Chaouachi ..... B26B 19/20 132/213.1
- 2012/0017928 A1\* 1/2012 Raskin ..... A45D 7/00 132/200
- 2020/0376694 A1\* 12/2020 Carlucci ..... B26B 19/205

**OTHER PUBLICATIONS**

iClipper Ningbo Electric Appliances, www.iclipper.en.alibaba.com, 1 page, downloaded Apr. 21, 2021 (Year: 2021).\*

\* cited by examiner

*Primary Examiner* — Jennifer Rivard

(57) **CLAIM**

The ornamental design for an electric hair clipper, as shown and described.

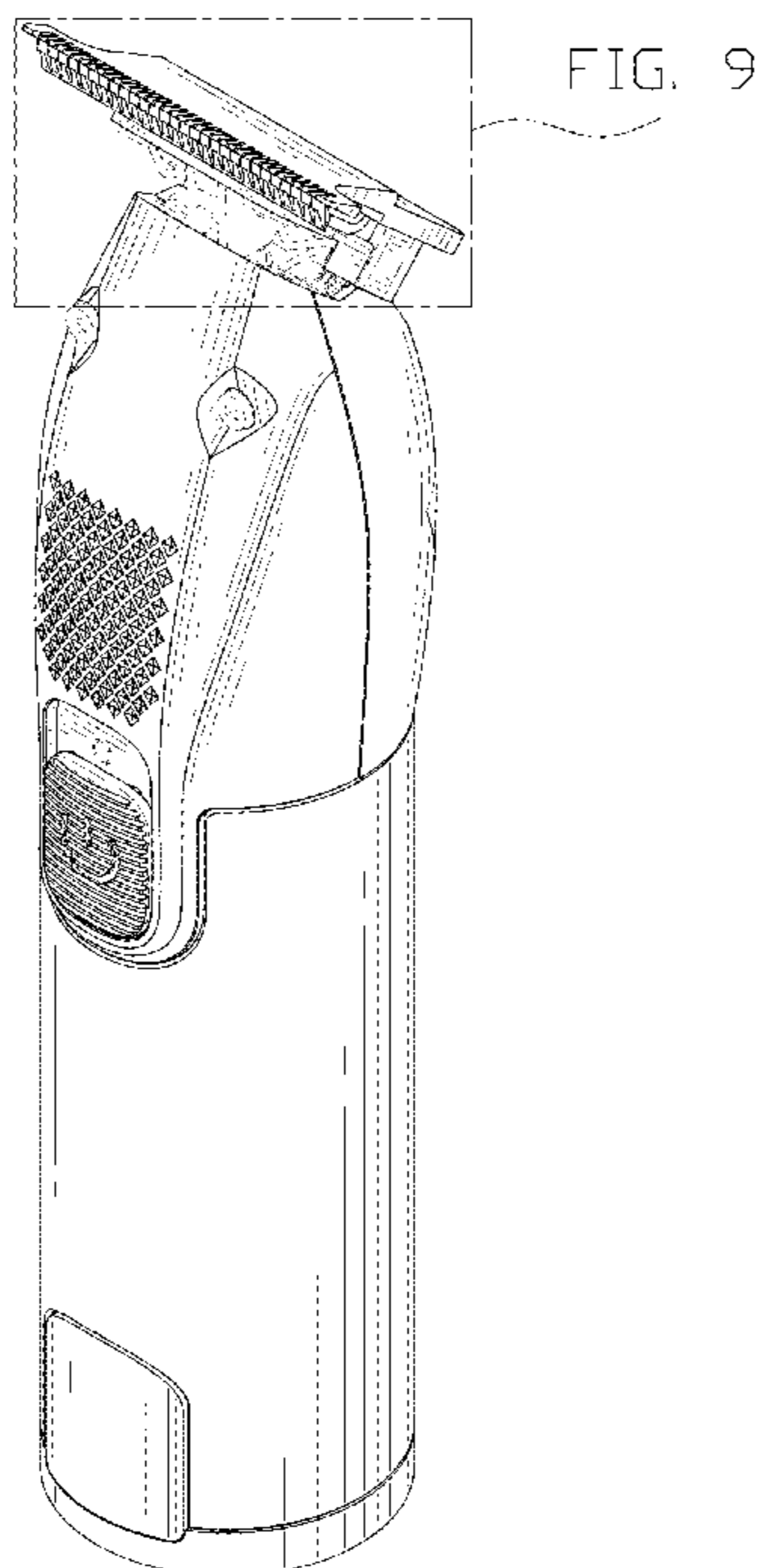
**DESCRIPTION**

FIG. 1 is a front and top perspective view of an electric hair clipper, showing my new design;  
 FIG. 2 is a rear and bottom perspective view thereof;  
 FIG. 3 is a front elevational view thereof;  
 FIG. 4 is a rear elevational view thereof;  
 FIG. 5 is a left side elevational view thereof;  
 FIG. 6 is a right side elevational view thereof;  
 FIG. 7 is a top plan view thereof;  
 FIG. 8 is a bottom plan view thereof; and,  
 FIG. 9 is an enlarged view of a portion labeled, 'FIG. 9' in FIG. 1.  
 The broken lines in the figures illustrate portions of the electric hair clipper that form no part of the claimed design. The dash dot dash lines in FIGS. 1 and 9 are for the purpose of depicting the cut line of the enlarged view and form no part of the claim.

**1 Claim, 9 Drawing Sheets**

(56) **References Cited**  
**U.S. PATENT DOCUMENTS**

D436,229 S *	1/2001	Eguchi	.....	D28/53
D462,482 S *	9/2002	Rizzuto, Jr.	.....	D28/53
D464,466 S *	10/2002	Rizzuto, Jr.	.....	D28/53
D556,379 S	11/2007	Akahori	.....	
D696,459 S *	12/2013	Chan	.....	D28/53
D814,702 S *	4/2018	Aulwes	.....	D28/53
D853,646 S *	7/2019	Boulanger	.....	D28/53
D867,662 S *	11/2019	Cociffi	.....	D28/53
D867,663 S *	11/2019	Boulanger	.....	D28/53
D897,603 S *	9/2020	Zhang	.....	D28/53
D905,344 S *	12/2020	Wang	.....	D28/51
D905,345 S *	12/2020	Carlucci	.....	D28/53
D910,918 S *	2/2021	Jiang	.....	D28/53
D910,919 S *	2/2021	Jiang	.....	D28/53



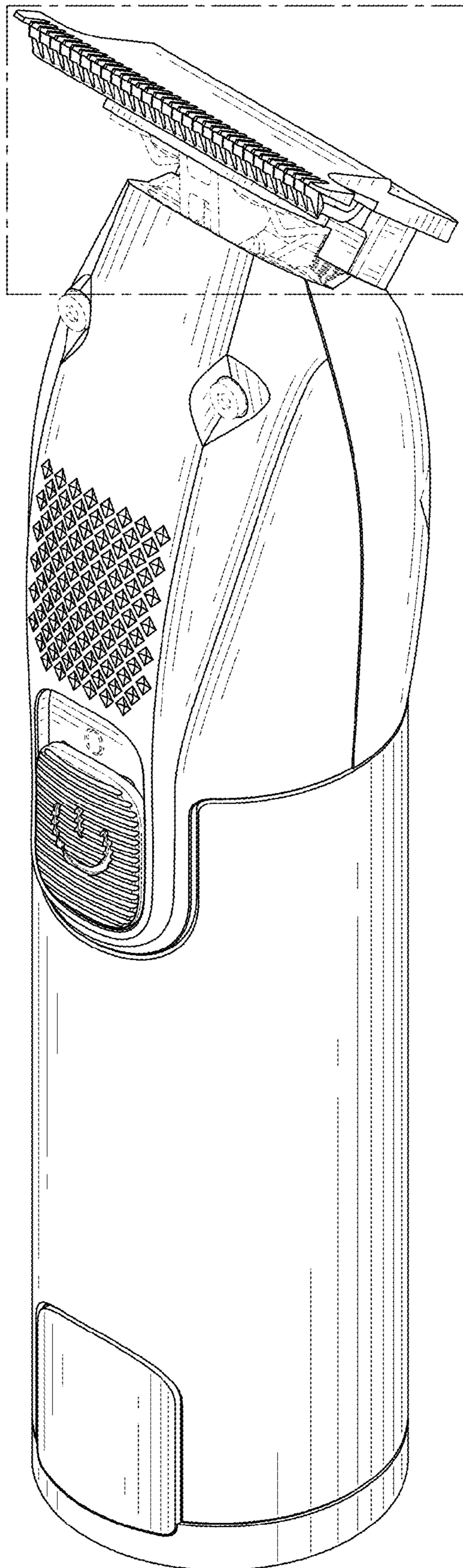
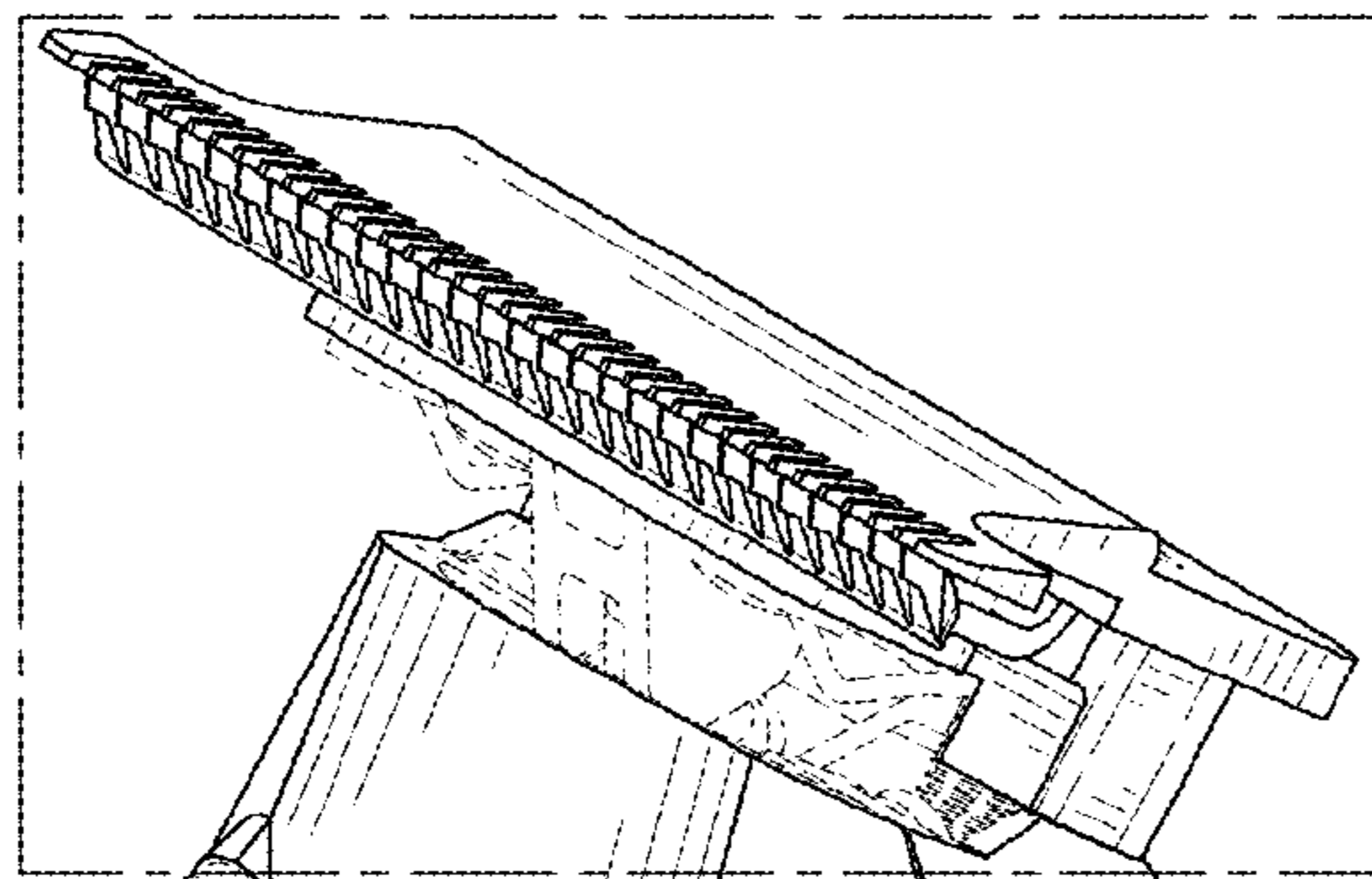


FIG. 1

FIG. 9



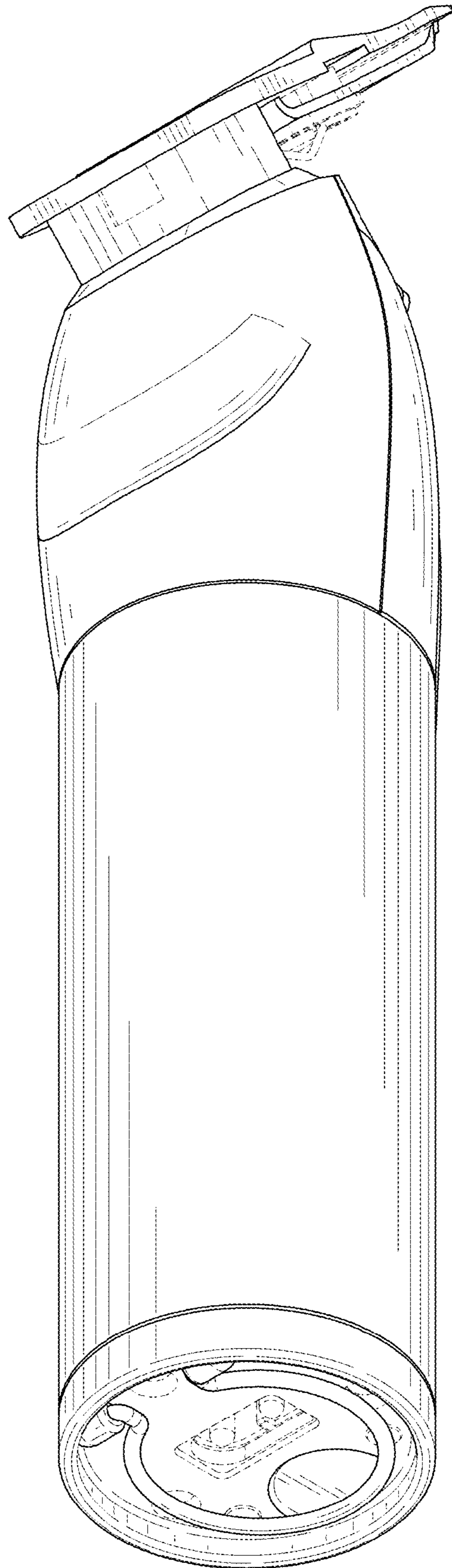


FIG. 2



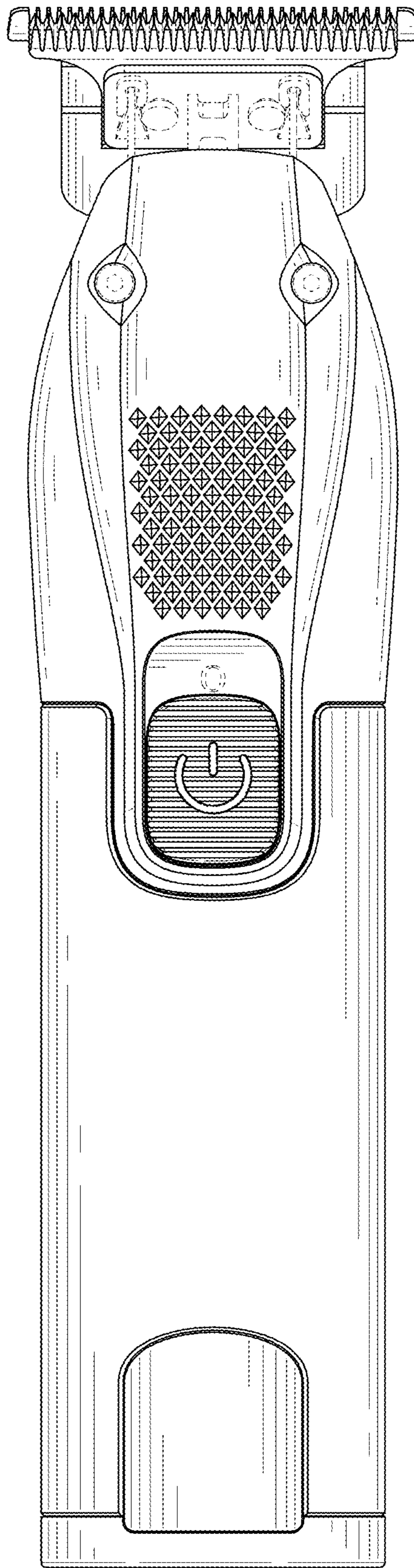


FIG. 3

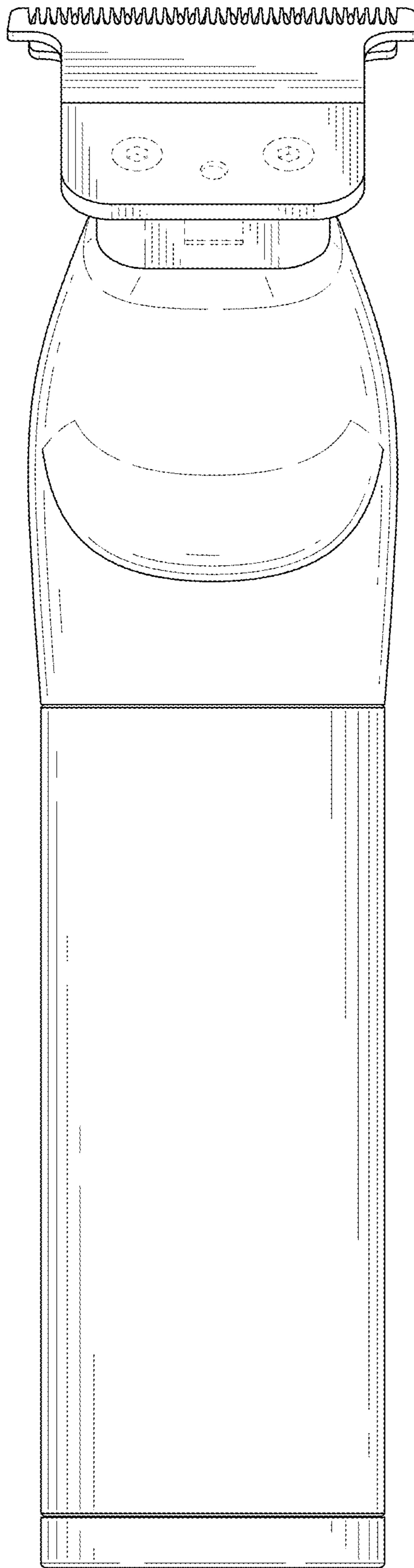


FIG. 4

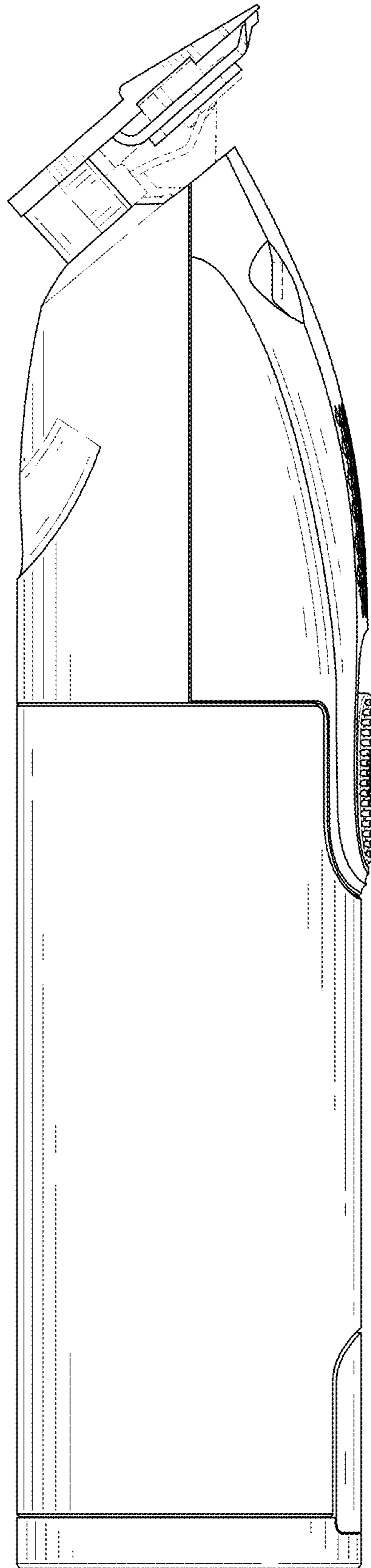


FIG. 5

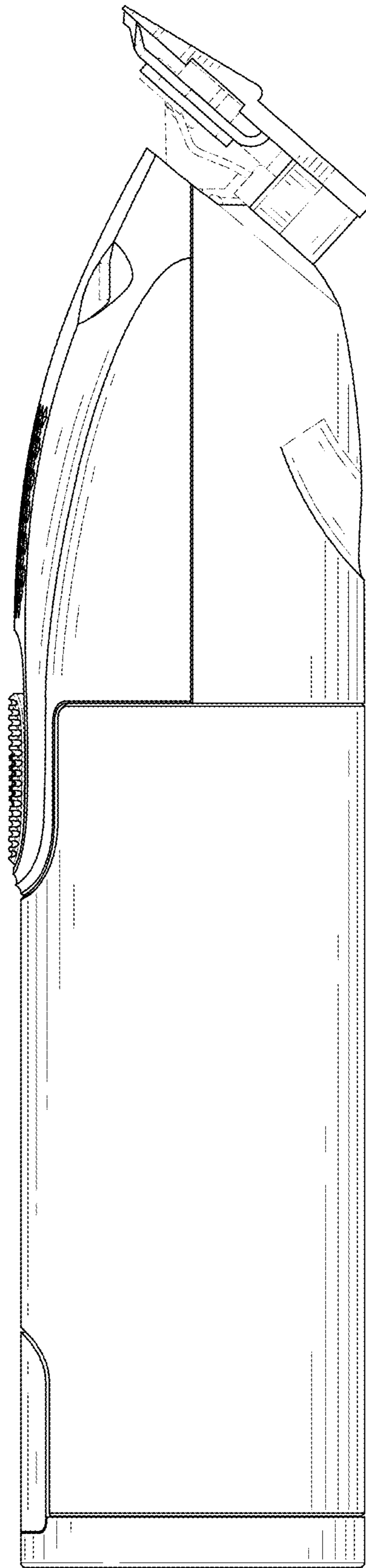


FIG. 6

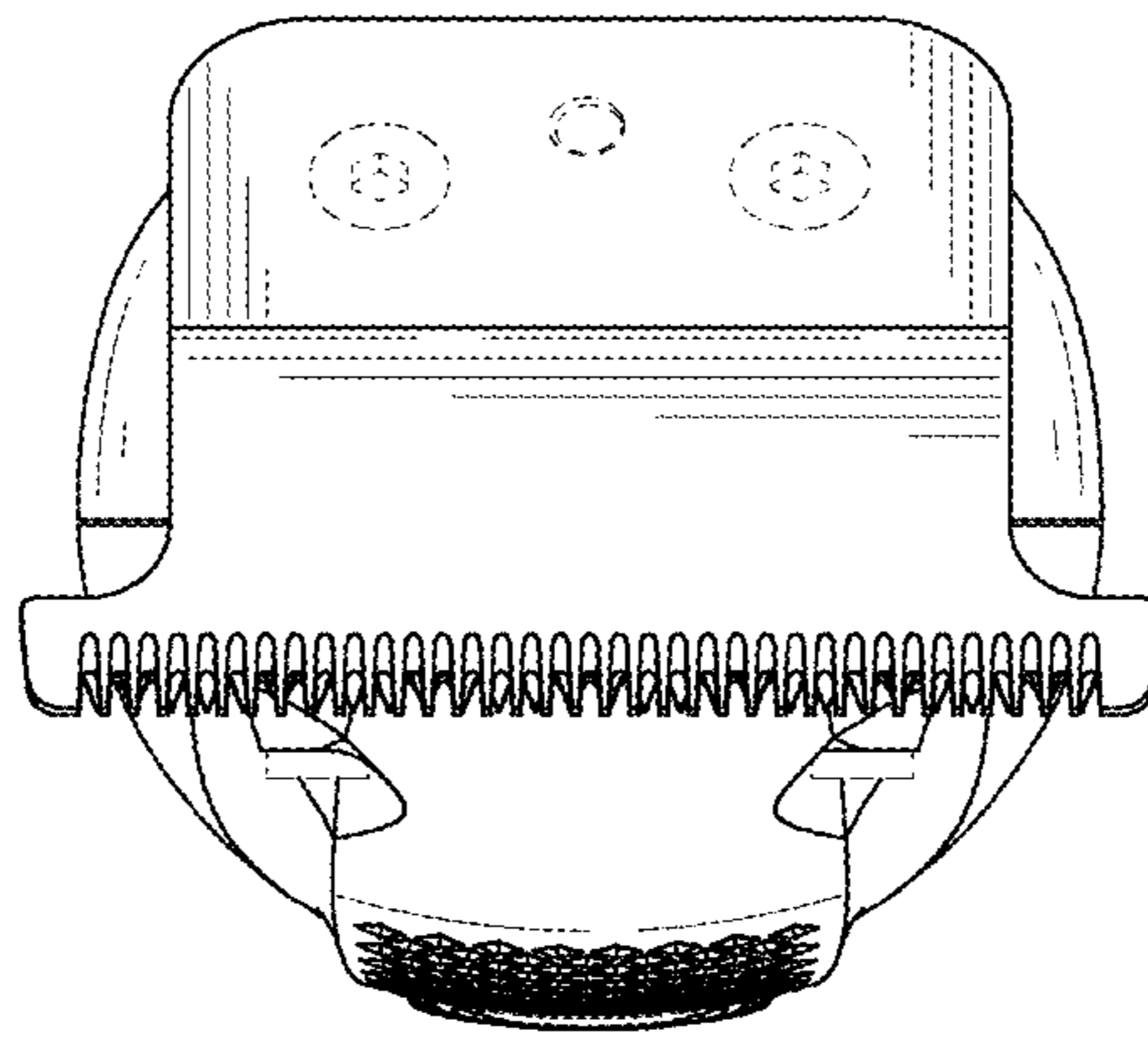


FIG. 7



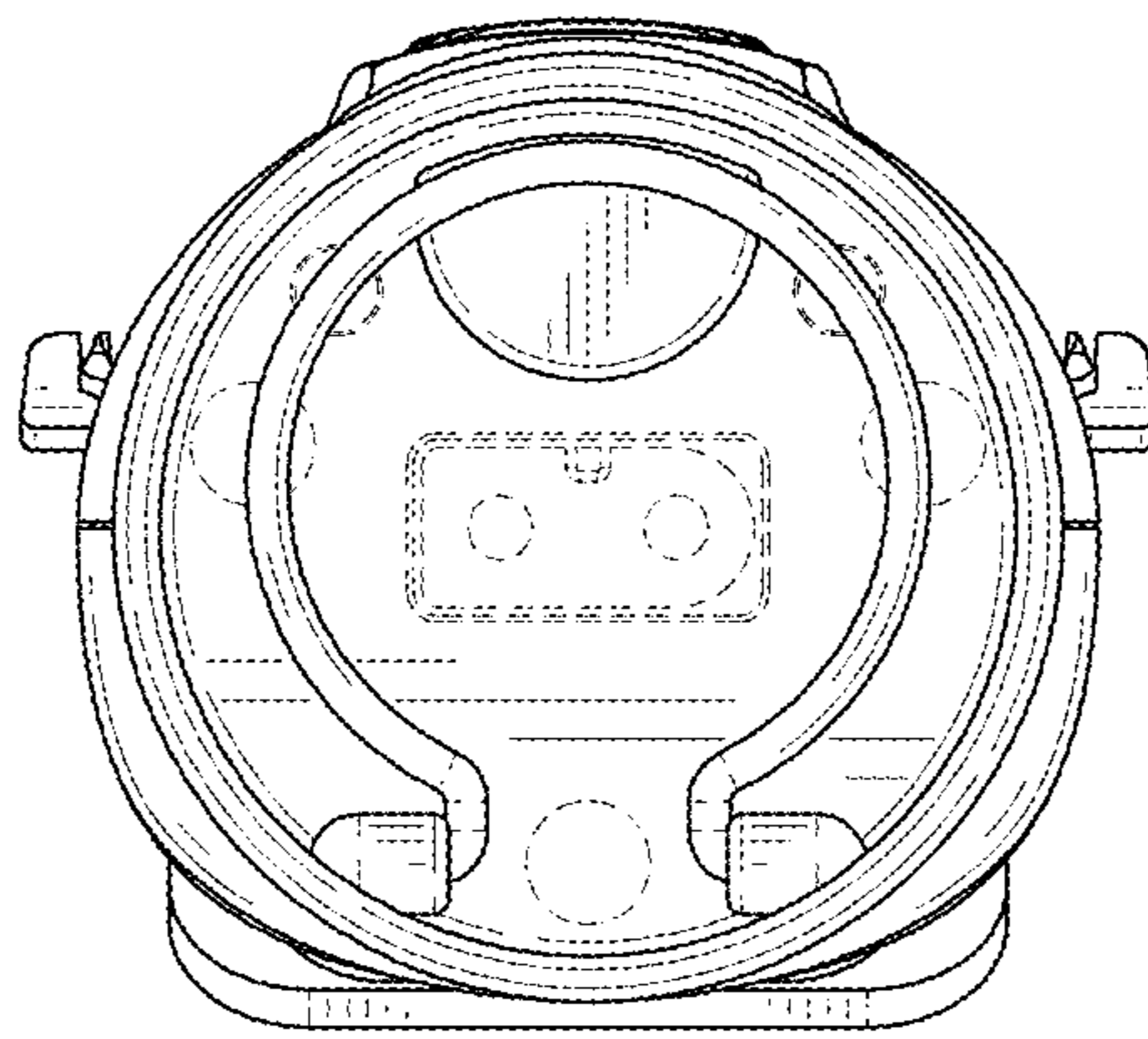


FIG. 8

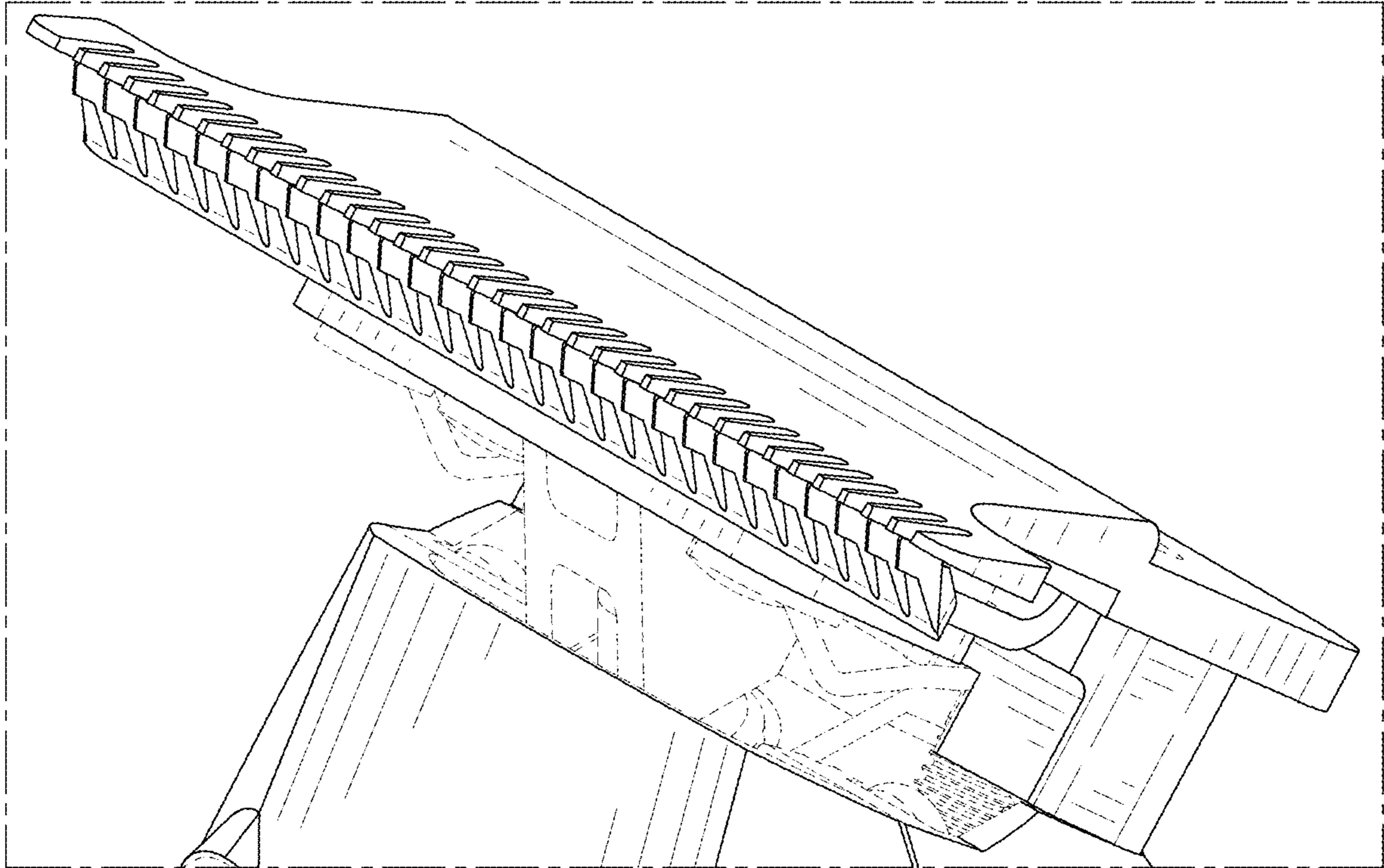


FIG. 9