



US00D923247S

(12) **United States Design Patent**
Jiang

(10) **Patent No.:** **US D923,247 S**

(45) **Date of Patent:** **** Jun. 22, 2021**

(54) **ELECTRIC HAIR CLIPPER**

(71) Applicant: **NINGBO ICLIPPER ELECTRIC APPLIANCE CO., LTD.**, Ningbo (CN)

(72) Inventor: **Qi Jiang**, Ningbo (CN)

(**) Term: **15 Years**

(21) Appl. No.: **29/749,717**

(22) Filed: **Sep. 9, 2020**

(51) **LOC (13) Cl.** **28-03**

(52) **U.S. Cl.**
USPC **D28/53**

(58) **Field of Classification Search**
USPC D28/49-54
CPC .. B26B 19/38-3826; B26B 19/384-48; B26B 19/12; B26B 19/20-24; B26B 19/00-107
See application file for complete search history.

(56) **References Cited**

U.S. PATENT DOCUMENTS

D436,229 S *	1/2001	Eguchi	D28/53
D462,482 S *	9/2002	Rizzuto, Jr.	D28/53
D464,466 S *	10/2002	Rizzuto, Jr.	D28/53
D556,379 S	11/2007	Akahori		
D696,459 S *	12/2013	Chan	D28/53
D814,702 S *	4/2018	Aulwes	D28/53
D853,646 S *	7/2019	Boulanger	D28/53
D867,662 S *	11/2019	Cociffi	D28/53
D867,663 S *	11/2019	Boulanger	D28/53
D897,603 S *	9/2020	Zhang	D28/53
D905,344 S *	12/2020	Wang	D28/51
D905,345 S *	12/2020	Carlucci	D28/53
D910,918 S *	2/2021	Jiang	D28/53

D910,919 S *	2/2021	Jiang	D28/53
2001/0004896 A1 *	6/2001	Chaouachi	B26B 19/20 132/213.1
2012/0017928 A1 *	1/2012	Raskin	A45D 7/00 132/200
2020/0376694 A1 *	12/2020	Carlucci	B26B 19/205

OTHER PUBLICATIONS

iClipper Ningbo Electric Appliances, www.iclipper.en.alibaba.com, 1 page, downloaded Apr. 21, 2021 (Year: 2021).*

* cited by examiner

Primary Examiner — Jennifer Rivard

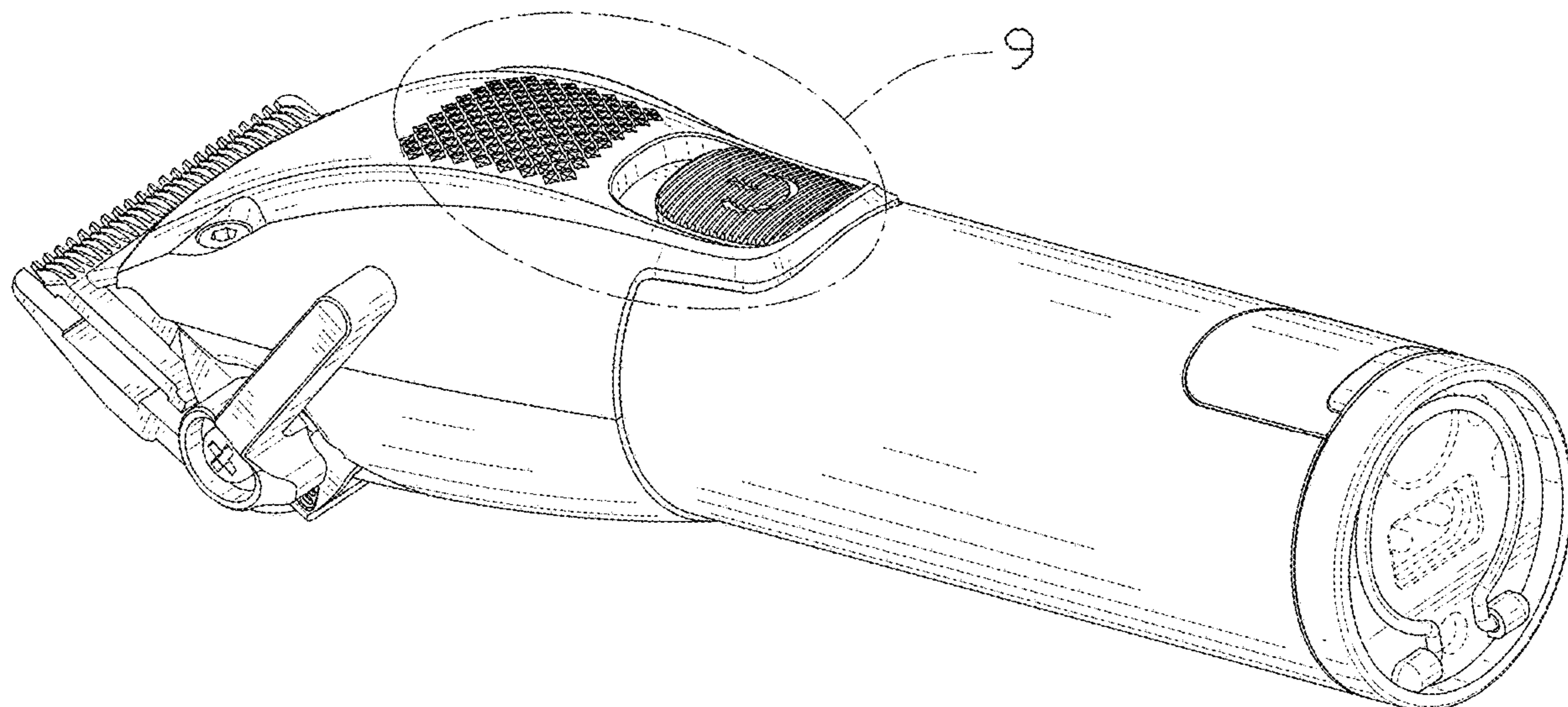
(57) **CLAIM**

The ornamental design for an electric hair clipper, as shown and described.

DESCRIPTION

FIG. 1 is a front and top perspective view of an electric hair clipper, showing my new design;
FIG. 2 is a rear and top perspective view thereof;
FIG. 3 is a front elevational view thereof;
FIG. 4 is a rear elevational view thereof;
FIG. 5 is a left side elevational view thereof;
FIG. 6 is a right side elevational view thereof;
FIG. 7 is a top plan view thereof;
FIG. 8 is a bottom plan view thereof; and,
FIG. 9 is an enlarged view of a portion indicated in FIG. 1. The dashed broken lines in the figures illustrate portions of the article that form no part of the claimed design. The dash dot dash, lines in FIGS. 1 and 9 are for the purpose of depicting the cut line of the enlarged view and form no part of the claim.

1 Claim, 9 Drawing Sheets



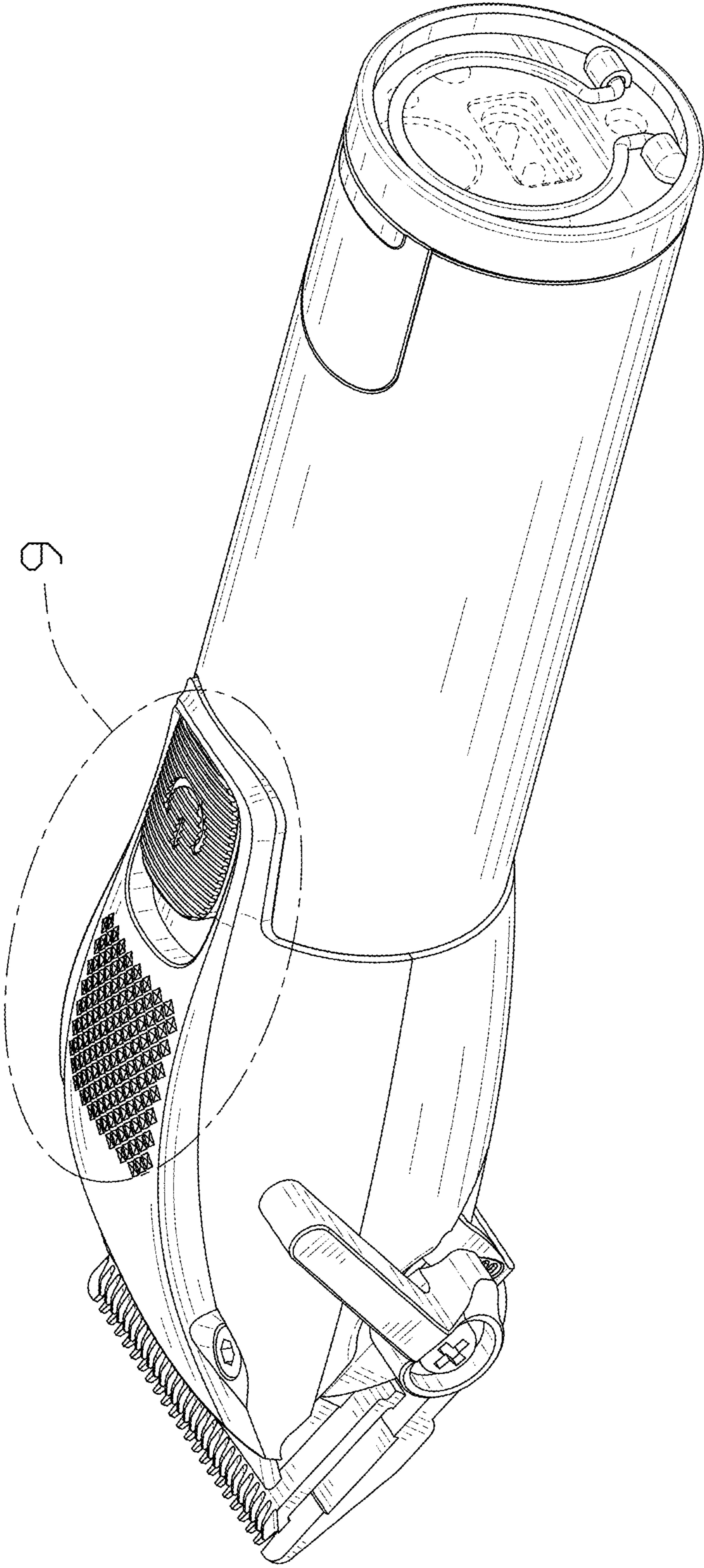


FIG. 1



FIG. 2

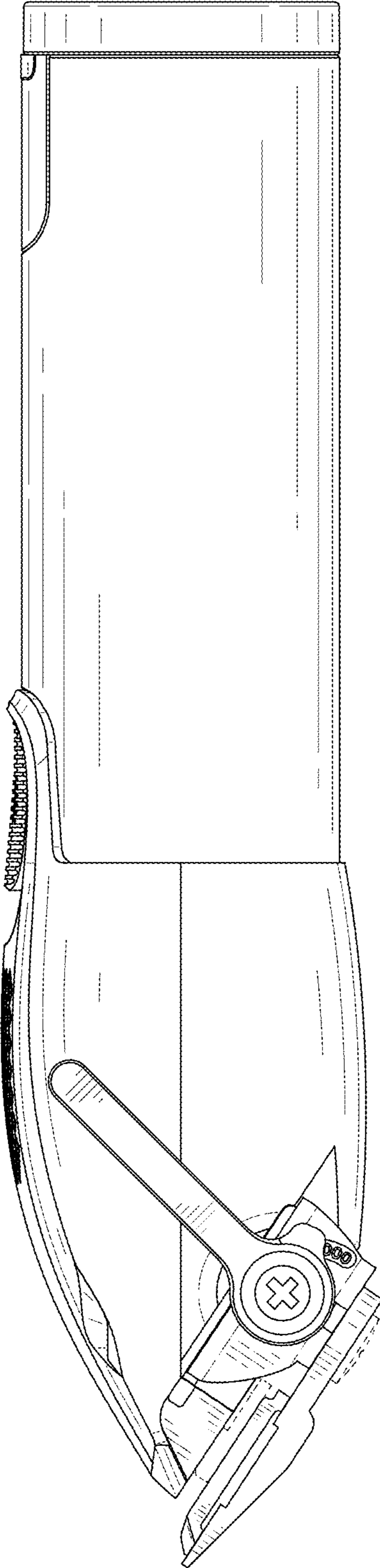


FIG. 3

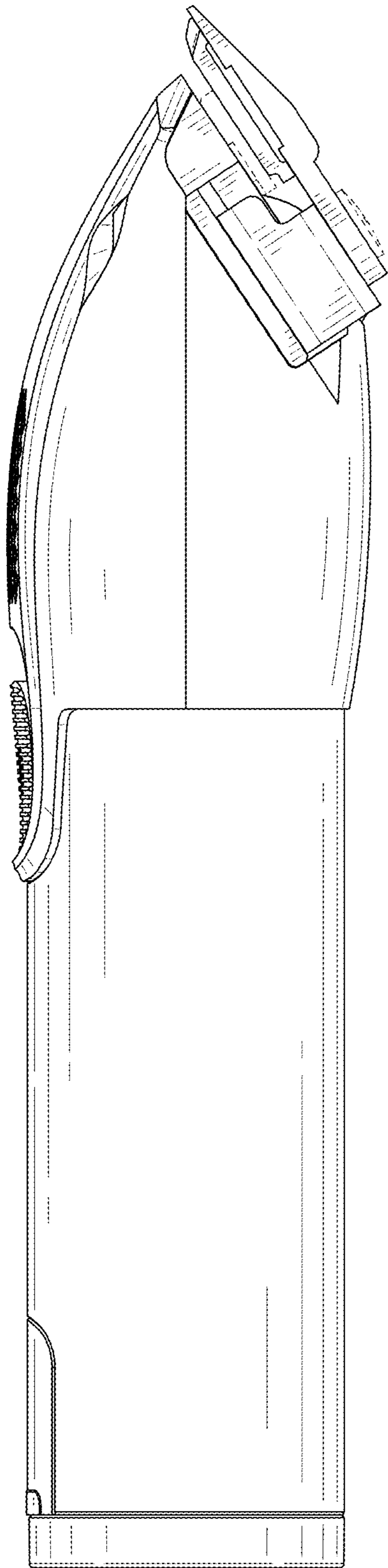


FIG. 4

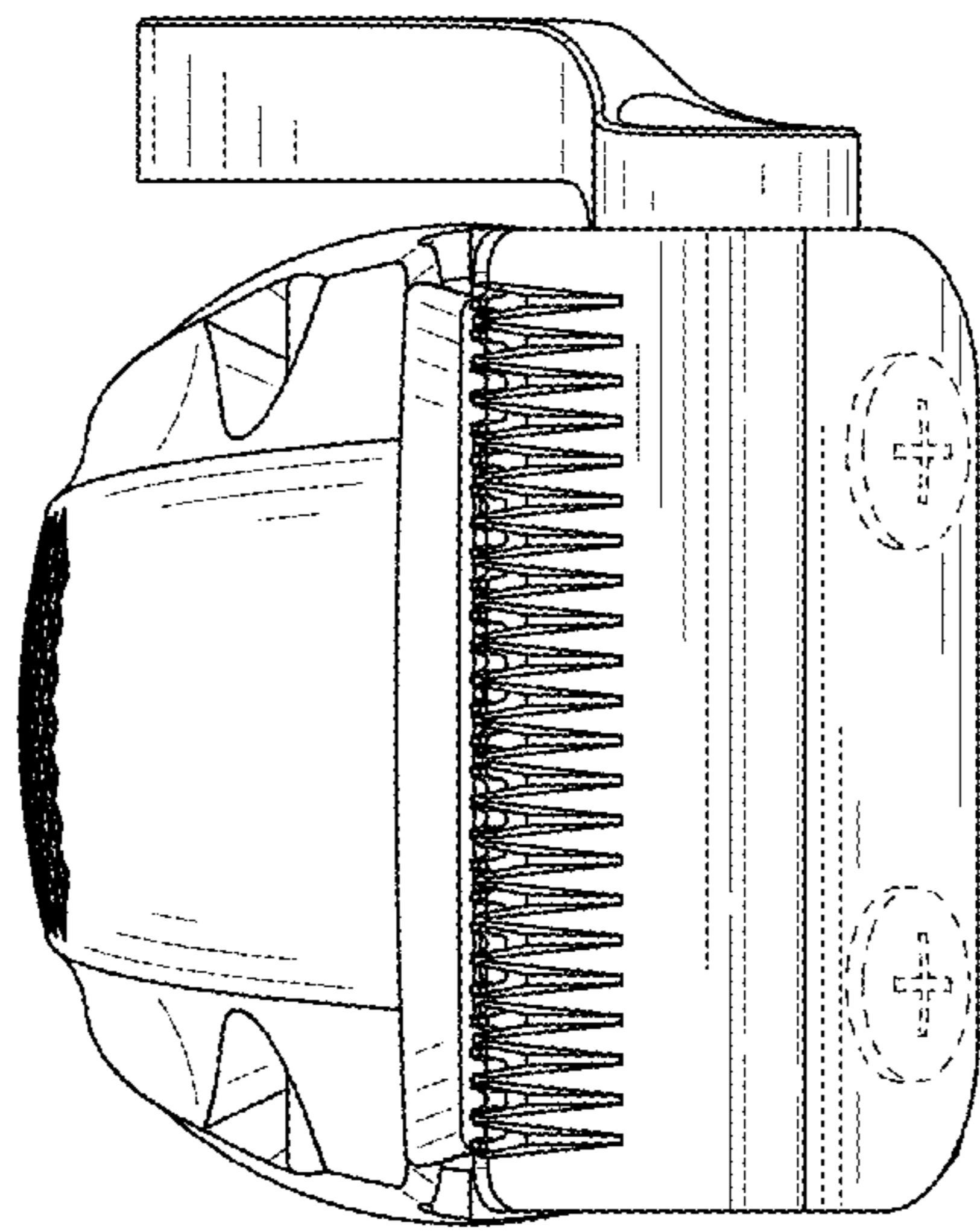


FIG. 5

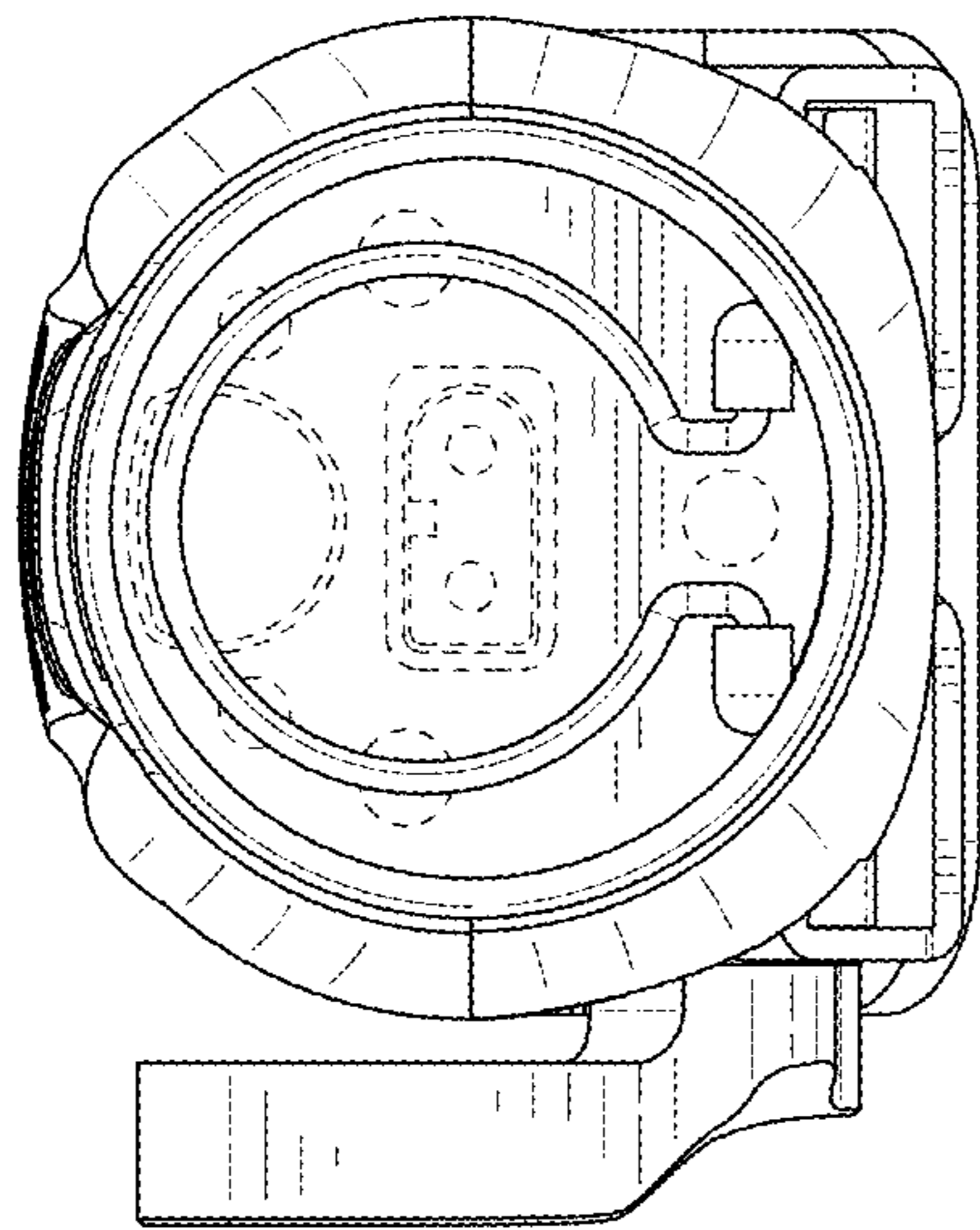


FIG. 6

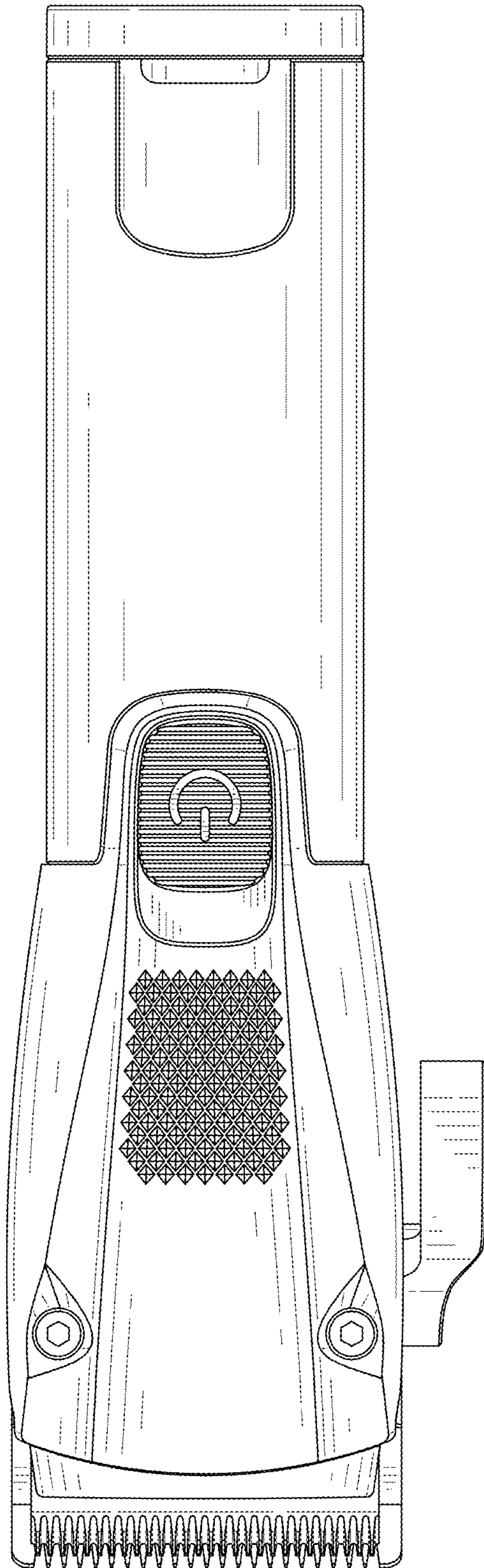


FIG. 7

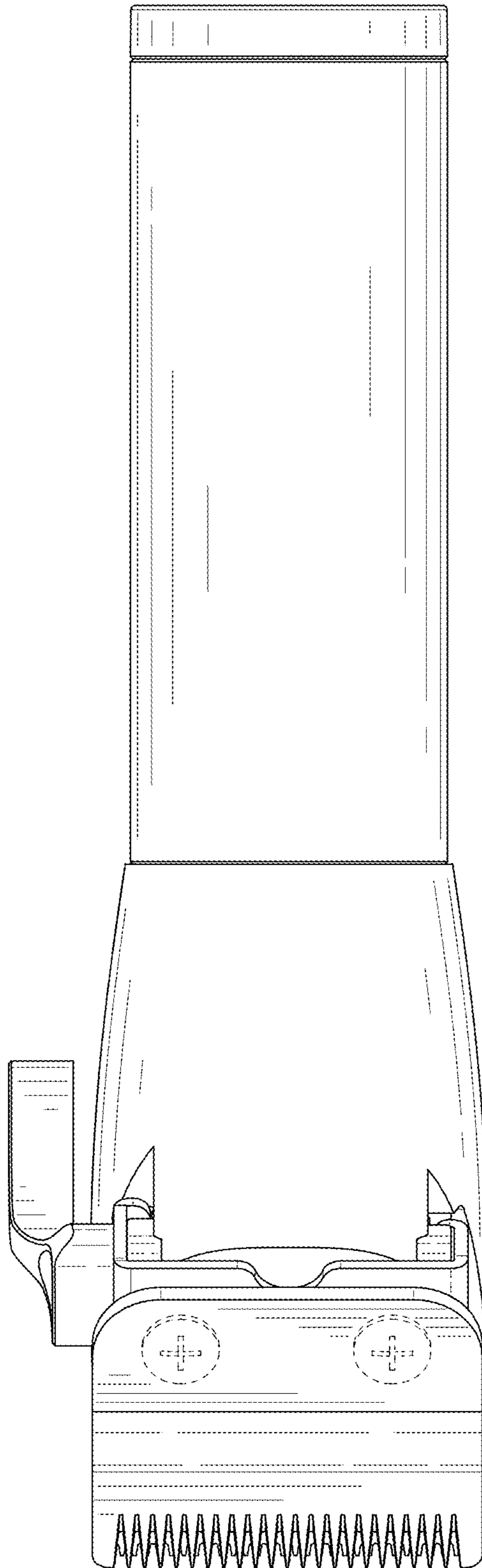


FIG. 8

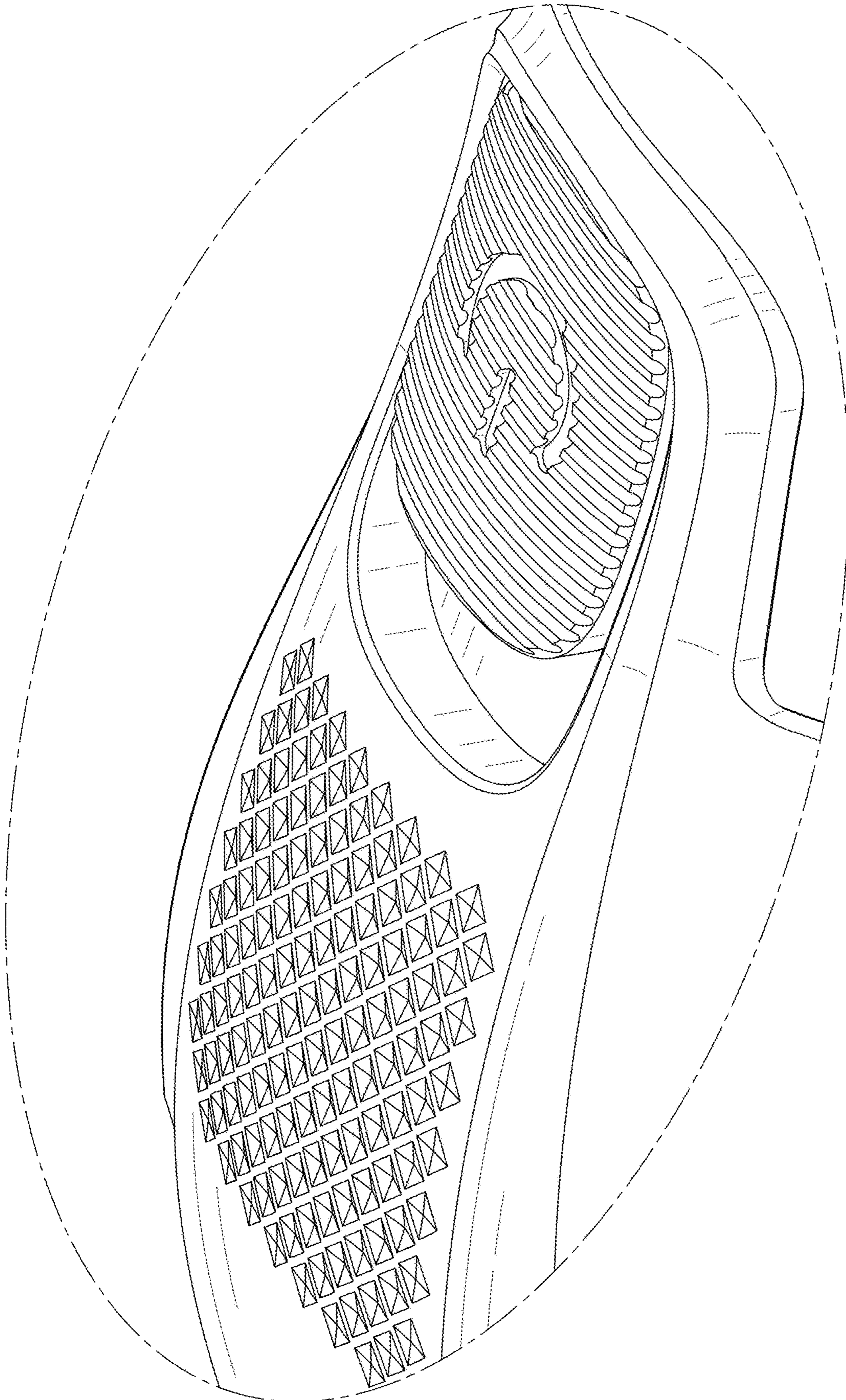


FIG. 9