

US00D923246S

(12) **United States Design Patent** (10) **Patent No.:** **US D923,246 S**
Triulzi et al. (45) **Date of Patent:** **** Jun. 22, 2021**

(54) **HAIR CLIP** 5,697,388 A * 12/1997 Chang A45D 8/20
132/277
(71) Applicants: **Bianca Triulzi**, Waiblingen (DE); 5,842,485 A * 12/1998 Potut A45D 8/26
Thomas Traub, Stuttgart (DE) 132/277
(72) Inventors: **Bianca Triulzi**, Waiblingen (DE); D414,583 S * 9/1999 Yasuda D28/40
Thomas Traub, Stuttgart (DE) D415,591 S * 10/1999 Knudsen D28/40
D449,132 S * 10/2001 Potut D28/40
D540,980 S * 4/2007 Williams D28/32
D583,991 S * 12/2008 Pichon D28/39
D627,099 S * 11/2010 Tu D28/40
(**) Term: **15 Years**
(21) Appl. No.: **35/508,694**
(22) Filed: **Jan. 14, 2020**
(80) **Hague Agreement Data**
Int. Filing Date: **Jan. 14, 2020**
Int. Reg. No.: **DM/206050**
Int. Reg. Date: **Jan. 14, 2020**
Int. Reg. Pub. Date: **Feb. 28, 2020**
(30) **Foreign Application Priority Data**
Jul. 16, 2019 (DE) 40 2019 100 773.3
(51) **LOC (13) Cl.** **28-03**
(52) **U.S. Cl.**
USPC **D28/40**
(58) **Field of Classification Search**
USPC D28/9, 10, 21, 99, 39, 40, 41, 42, 43,
D28/31-34
CPC ... A45D 2/00; A45D 2/02; A45D 2/04; A45D
2/143; A45D 2/42; A45D 2/44; A45D
6/00; A45D 6/08; A45D 6/04; A45D
6/045; A45D 6/14; A45D 8/00; A45D
8/02; A45D 8/14; A45D 8/24; A45D
8/26; A45D 8/30
See application file for complete search history.
(56) **References Cited**
U.S. PATENT DOCUMENTS
2,712,319 A * 7/1955 Roitner A45D 2/42
132/129
D179,923 S * 3/1957 Solomon D28/32

FOREIGN PATENT DOCUMENTS

DE 202013100225 U1 * 2/2013 A45D 8/30
EM 002365304-0002 * 12/2013
(Continued)

OTHER PUBLICATIONS

Amazon, Large Hair Claw Clip, posted Sep. 28, 2017, [online],
[visited Feb. 5, 2021], Internet, <URL: <https://www.amazon.co.uk/Large-Hair-Claw-Clamp-Accessory/dp/B076133J83/ref>> (Year: 2017).*

Primary Examiner — George D. Kirschbaum
Assistant Examiner — Samantha N Wood
(74) *Attorney, Agent, or Firm* — Harness, Dickey &
Pierce, P.L.C.

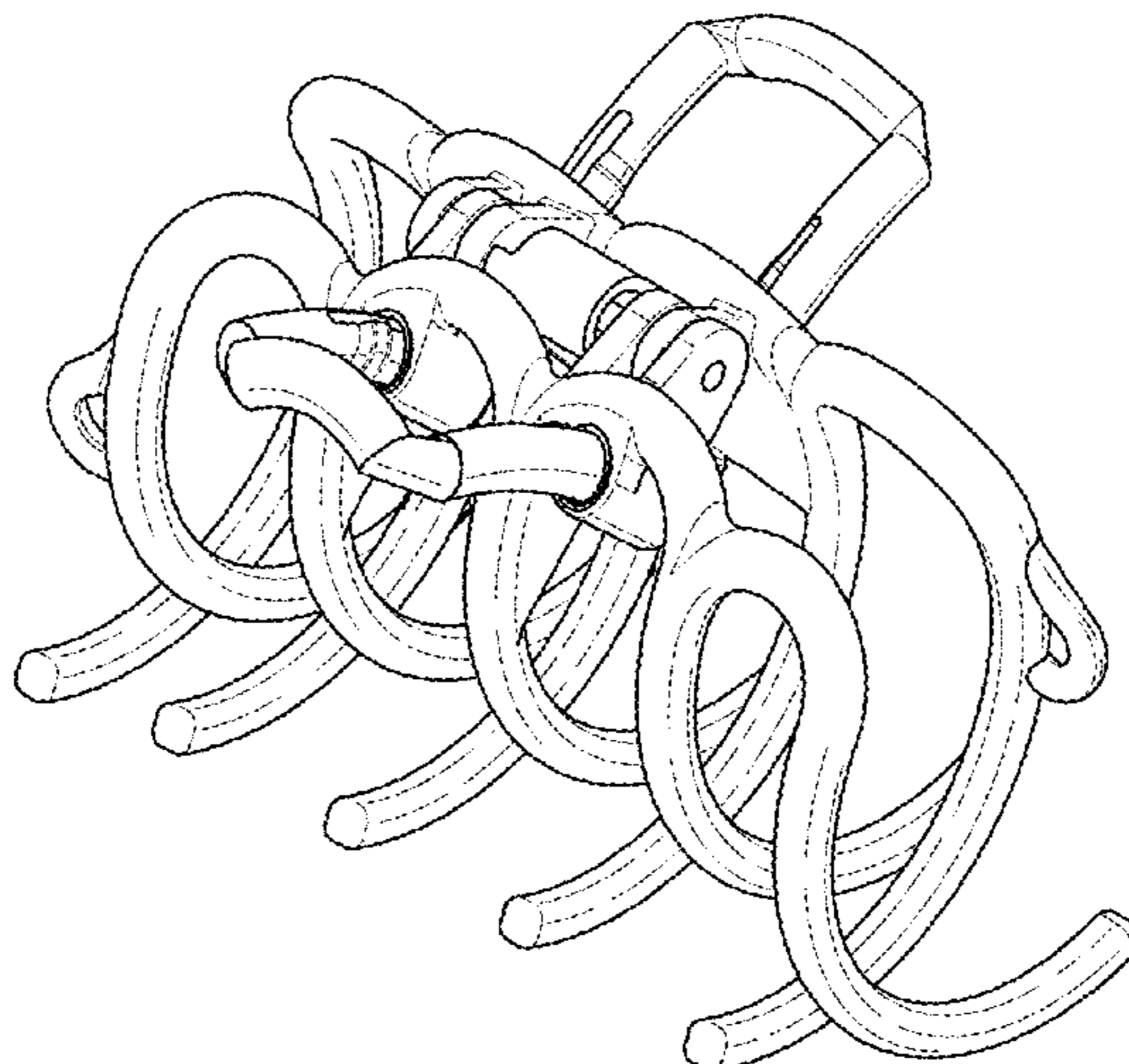
(57) **CLAIM**

The ornamental design for a hair clip, as shown and described.

DESCRIPTION

1. Hair clip
1.1 : Perspective
1.2 : Front
1.3 : Back
1.4 : Top
1.5 : Bottom
1.6 : Left
1.7 : Right
Hair clip with retractable handles.

1 Claim, 7 Drawing Sheets



(56)

References Cited

U.S. PATENT DOCUMENTS

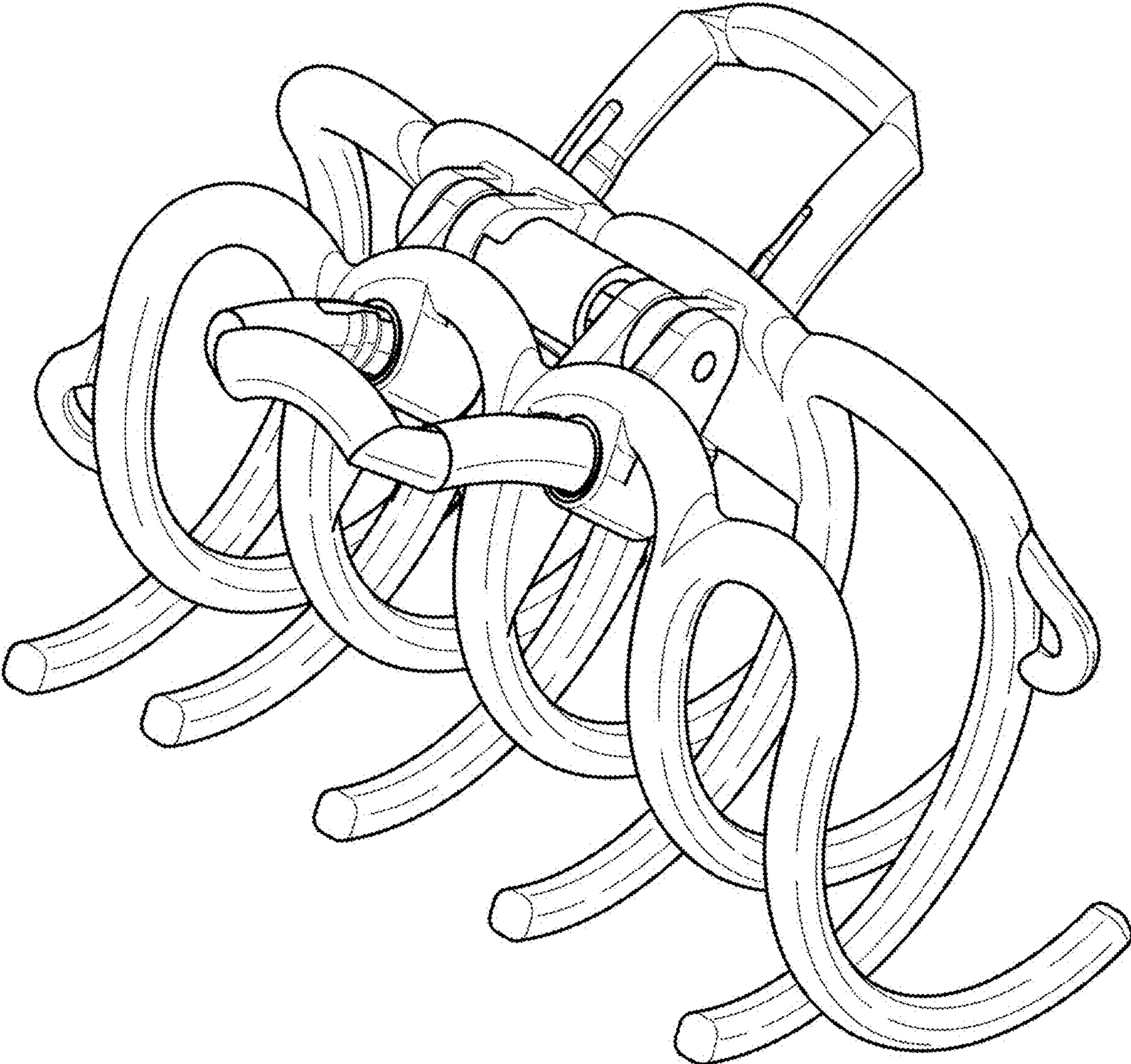
D700,740 S * 3/2014 Cheung D28/35
D712,093 S * 8/2014 Hsu D28/40
D756,572 S * 5/2016 Baker D30/162
D814,112 S * 3/2018 Hsu D28/40
D829,990 S * 10/2018 Hsu D28/40

FOREIGN PATENT DOCUMENTS

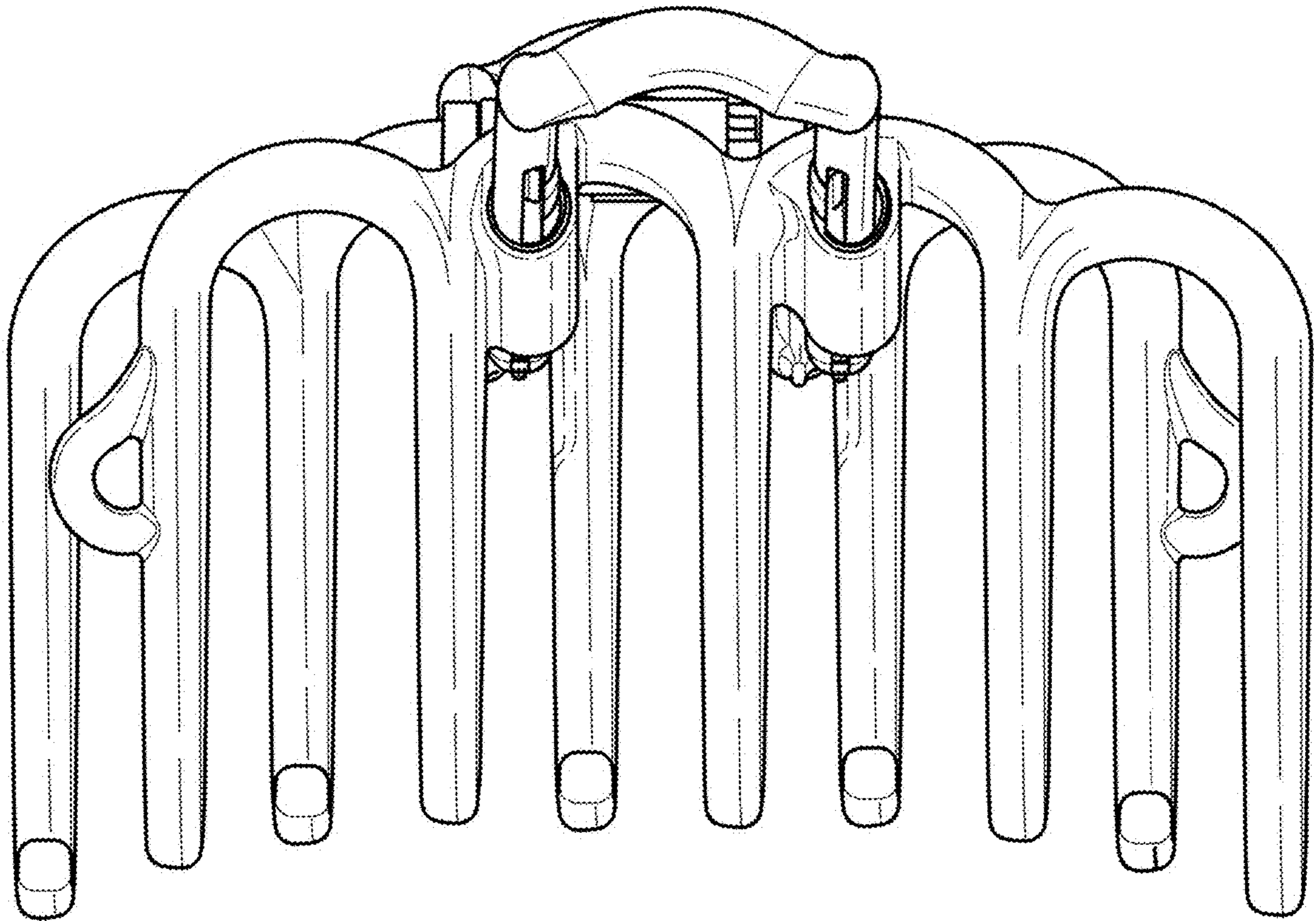
GB 2064100 * 3/1997
WO WO-D046948-001 * 2/1999

* cited by examiner

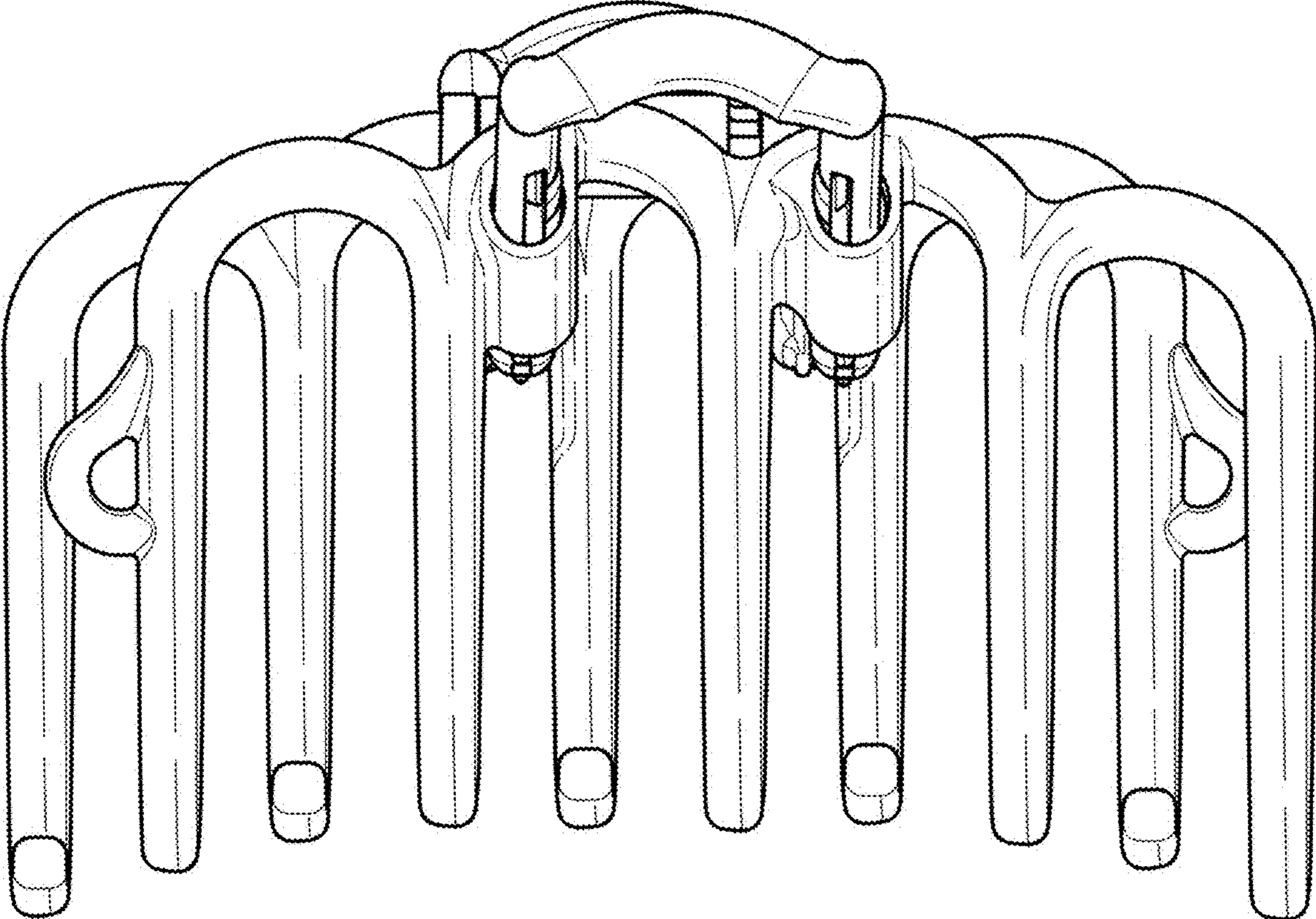
1.1



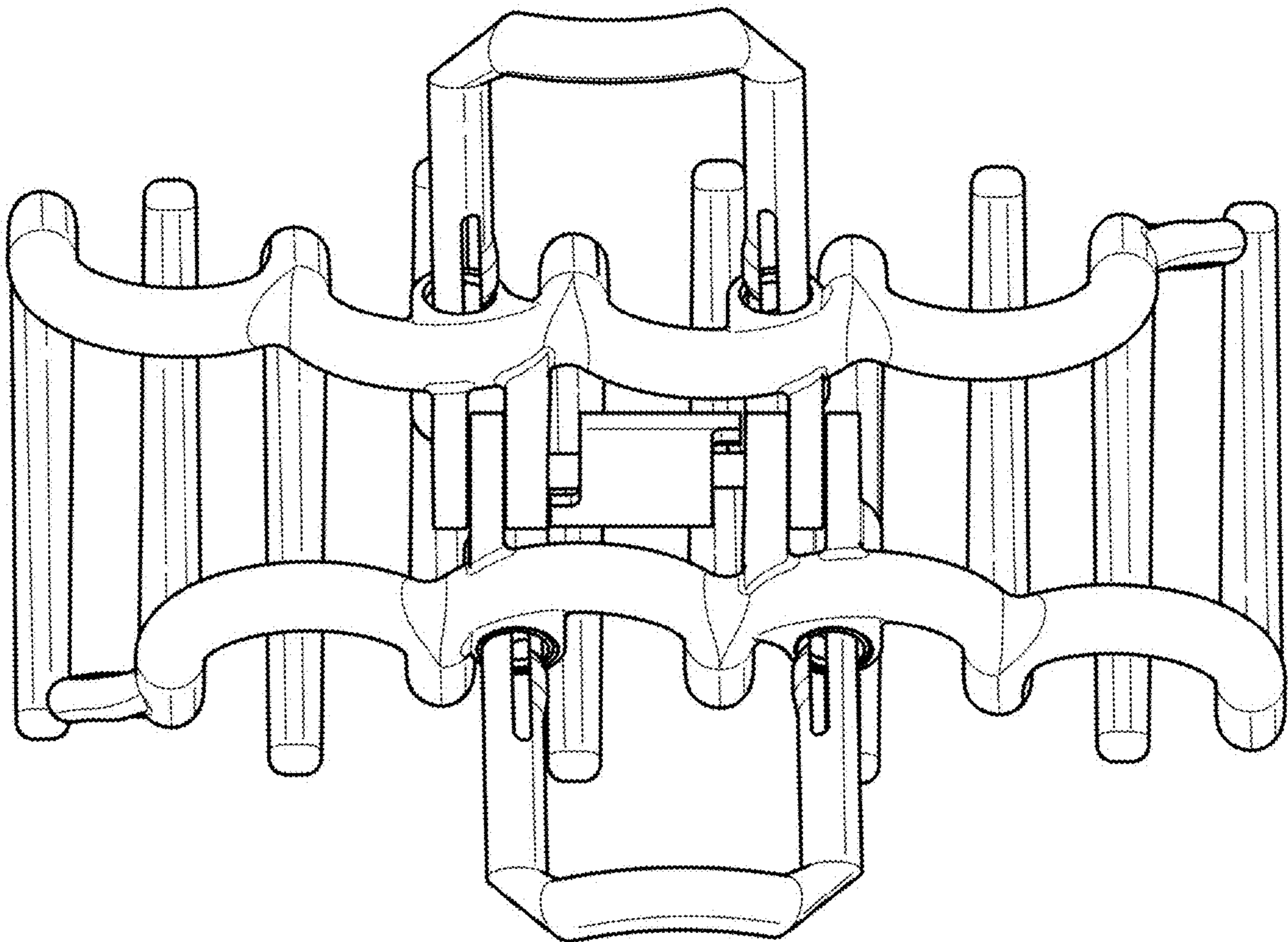
1.2



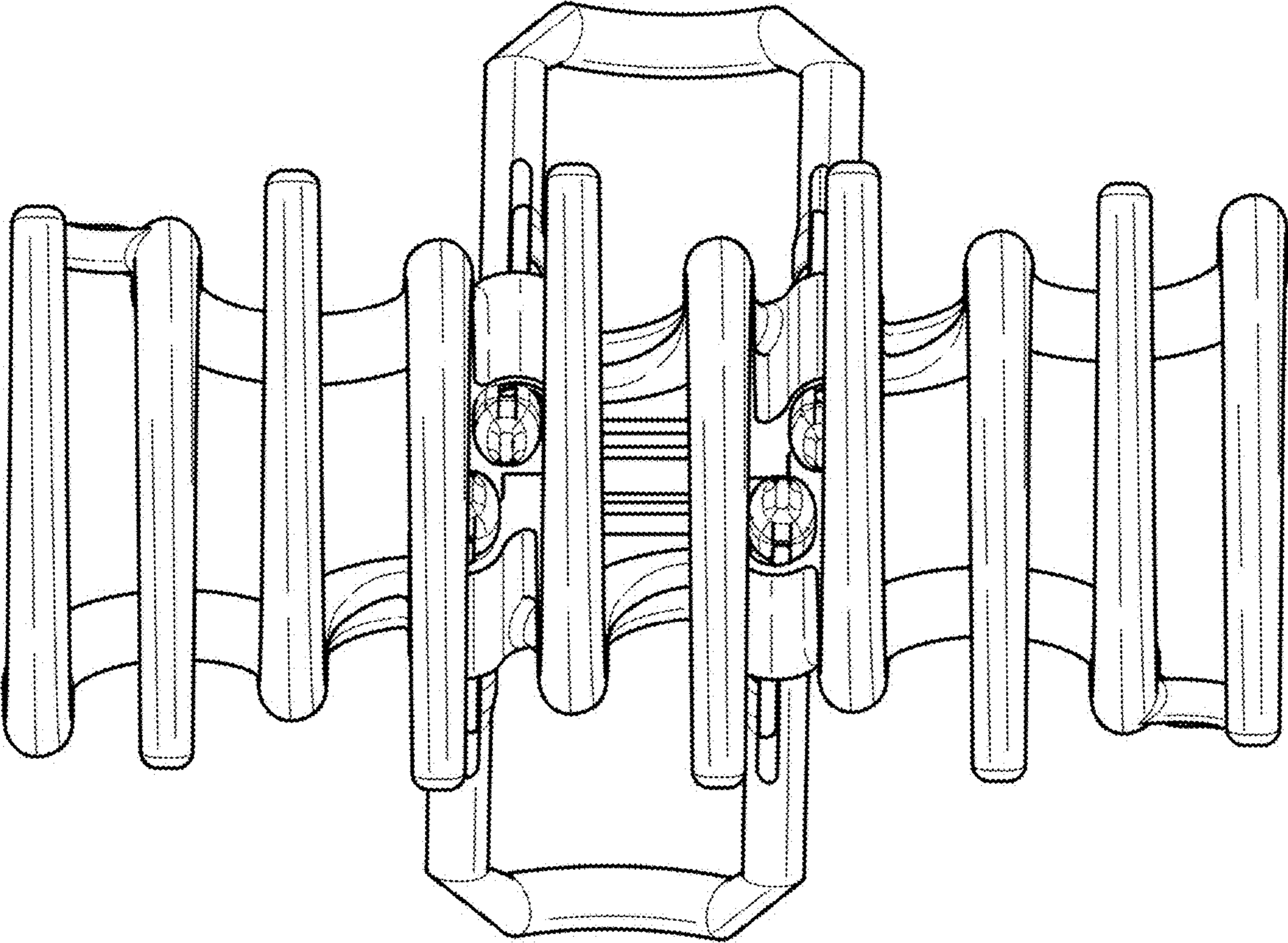
1.3



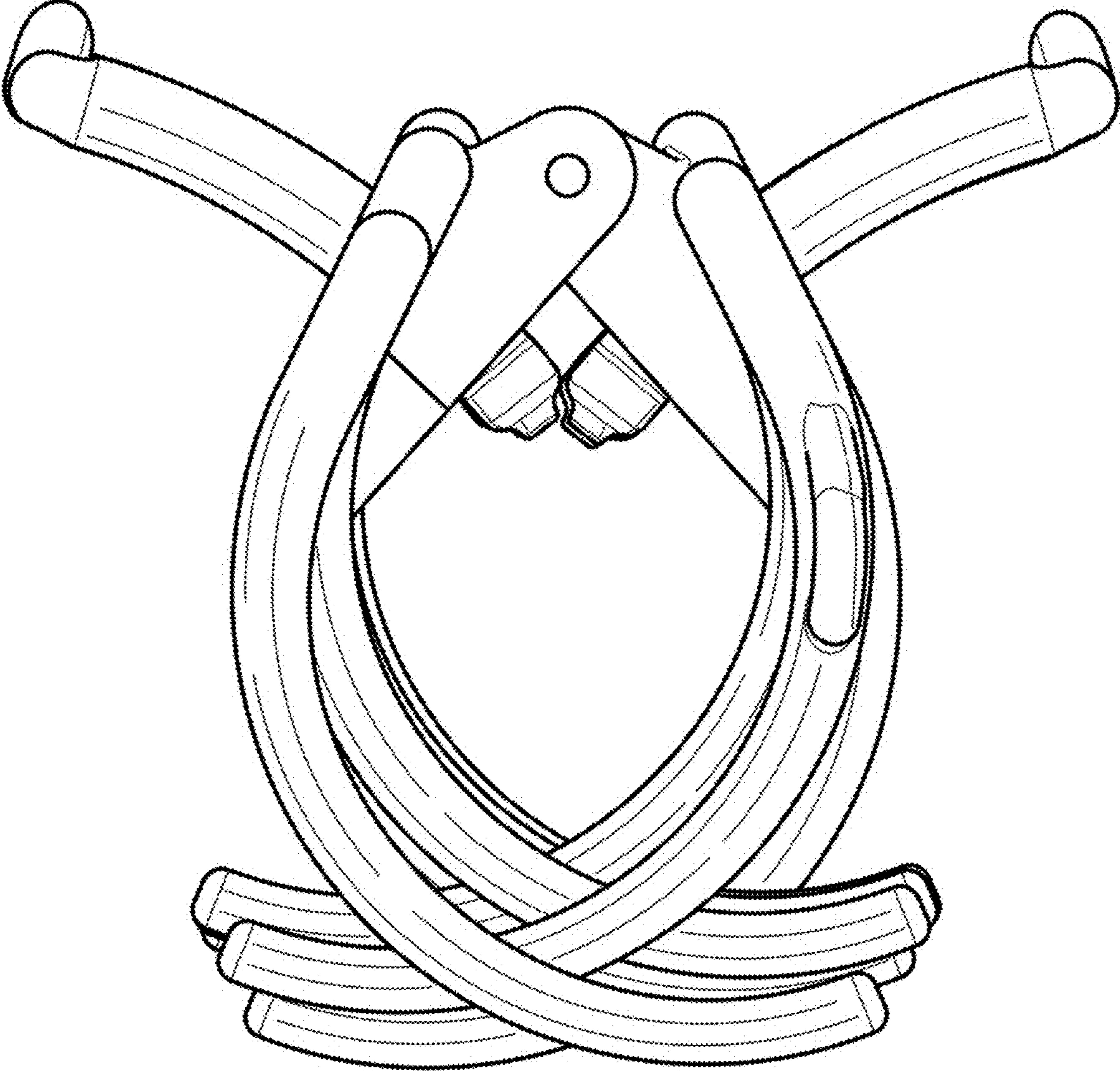
1.4



1.5



1.6



1.7

