



US00D923245S

(12) **United States Design Patent**
Liu

(10) **Patent No.:** **US D923,245 S**
(45) **Date of Patent:** **** Jun. 22, 2021**

(54) **HAIR CLIP**

(71) Applicant: **Kaicheng Liu**, Ganzhou (CN)

(72) Inventor: **Kaicheng Liu**, Ganzhou (CN)

(**) Term: **15 Years**

(21) Appl. No.: **29/768,184**

(22) Filed: **Jan. 28, 2021**

(51) **LOC (13) Cl.** **28-03**

(52) **U.S. Cl.**
USPC **D28/40**

(58) **Field of Classification Search**
USPC D28/38, 39, 40, 43
CPC ... A45D 8/12; A45D 8/14; A45D 8/20; A45D
8/24; A45D 8/28; A45D 8/30
See application file for complete search history.

(56) **References Cited**

U.S. PATENT DOCUMENTS

| | | | | |
|--------------|---------|----------|-------|--------|
| D437,665 S * | 2/2001 | Sartena | | D28/40 |
| D637,348 S * | 5/2011 | Richmond | | D28/40 |
| D700,740 S * | 3/2014 | Cheung | | D28/35 |
| D769,526 S * | 10/2016 | Coral | | D28/40 |
| D769,527 S * | 10/2016 | Coral | | D28/40 |

| | | | | |
|-------------------|---------|--------|-------|----------------------|
| D774,695 S * | 12/2016 | Coral | | D28/40 |
| D829,990 S * | 10/2018 | Hsu | | D28/40 |
| D831,273 S | 10/2018 | Sze | | |
| 2004/0154633 A1 * | 8/2004 | Rogers | | A45D 8/20 132/277 |

* cited by examiner

Primary Examiner — Zenia I Bennett

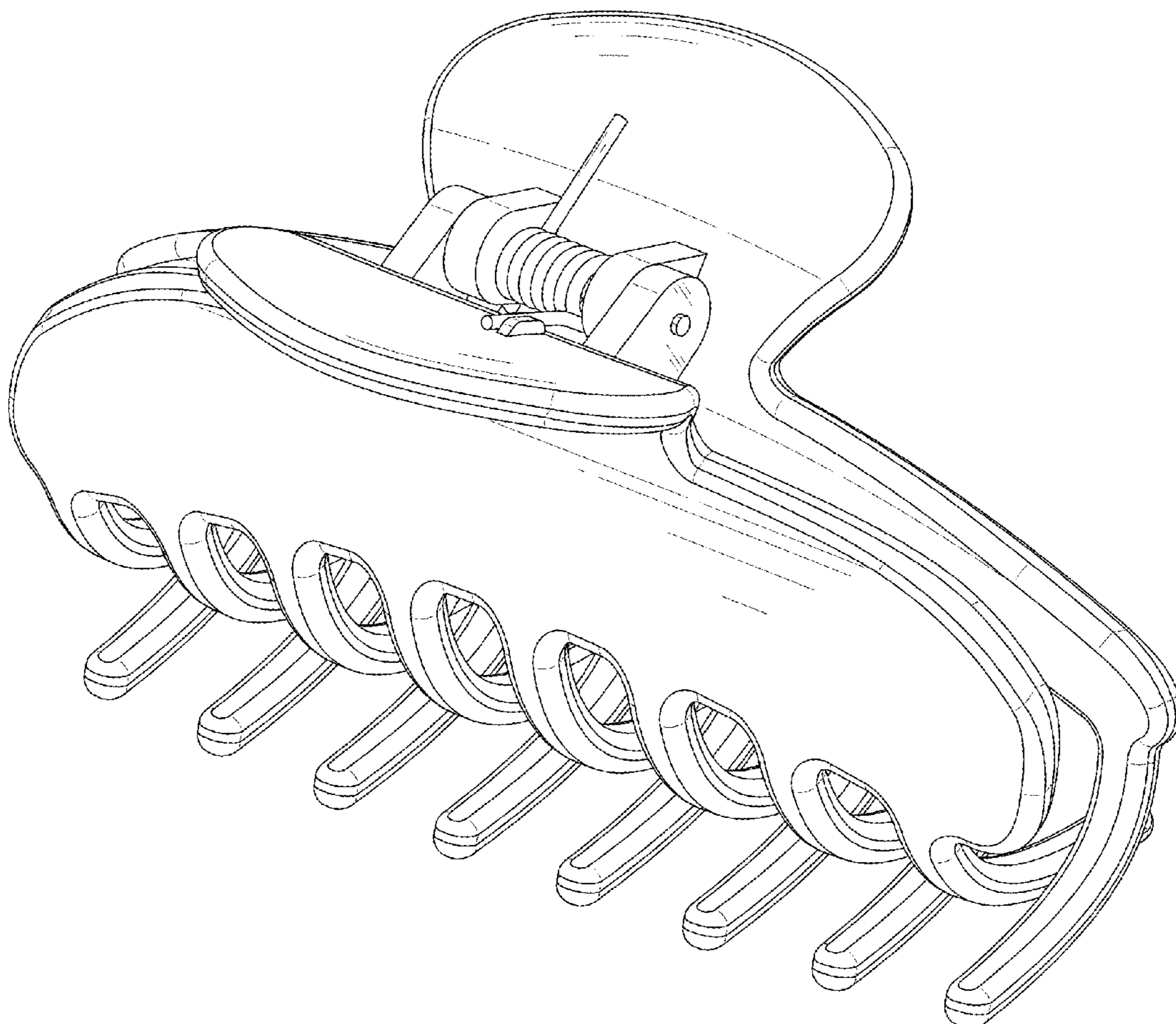
(57) **CLAIM**

The ornamental design for a hair clip, as shown and described.

DESCRIPTION

FIG. 1 is a perspective view of a hair clip showing my new design;
 FIG. 2 is another perspective view thereof;
 FIG. 3 is a front elevational view thereof;
 FIG. 4 is a rear elevational view thereof;
 FIG. 5 is a left side elevational view thereof;
 FIG. 6 is a right side elevational view thereof;
 FIG. 7 is a top plan view thereof;
 FIG. 8 is a bottom plan view thereof; and,
 FIG. 9 is a perspective view of the hair clip where the hair clip is in a configuration of use.

1 Claim, 9 Drawing Sheets



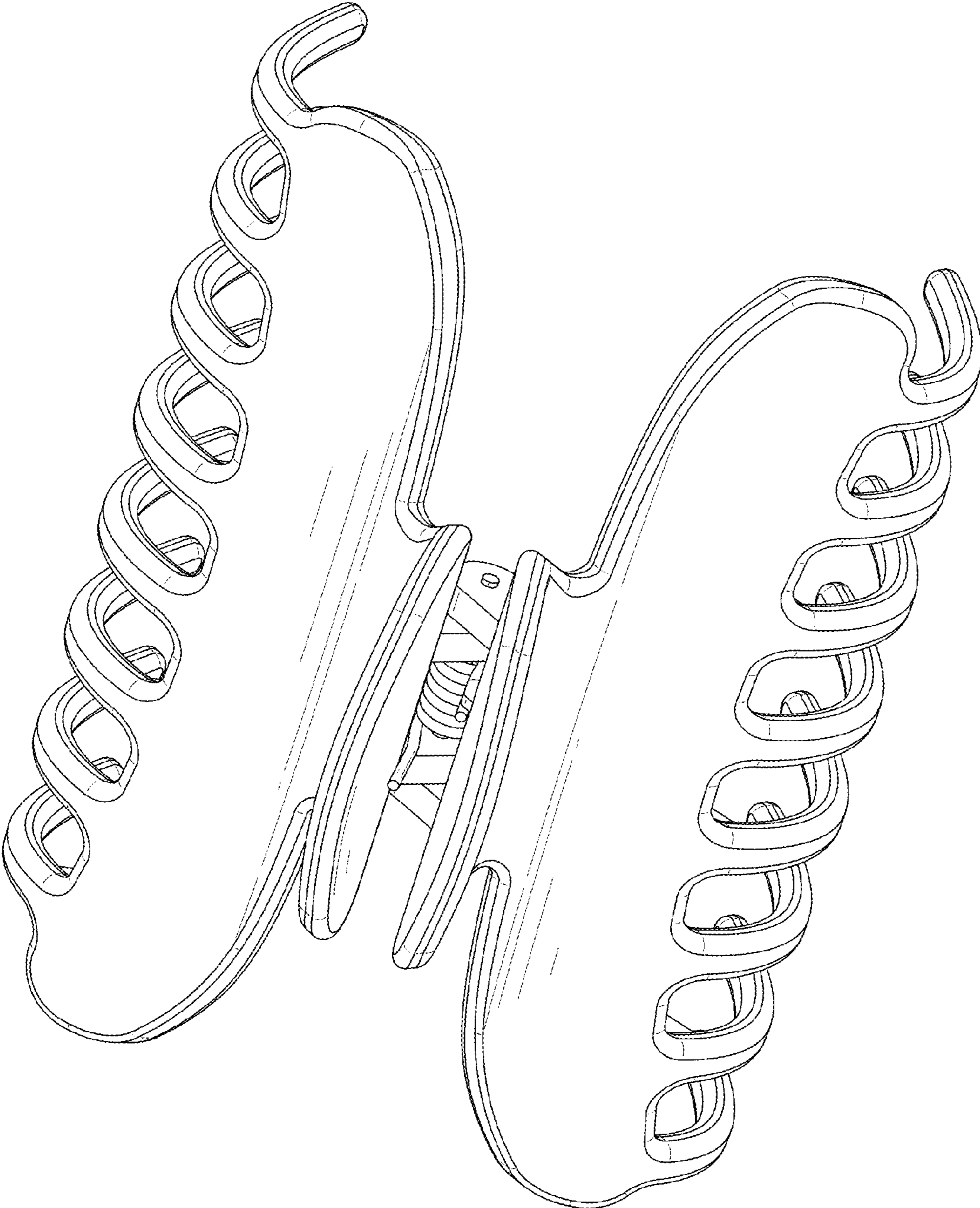


FIG. 1

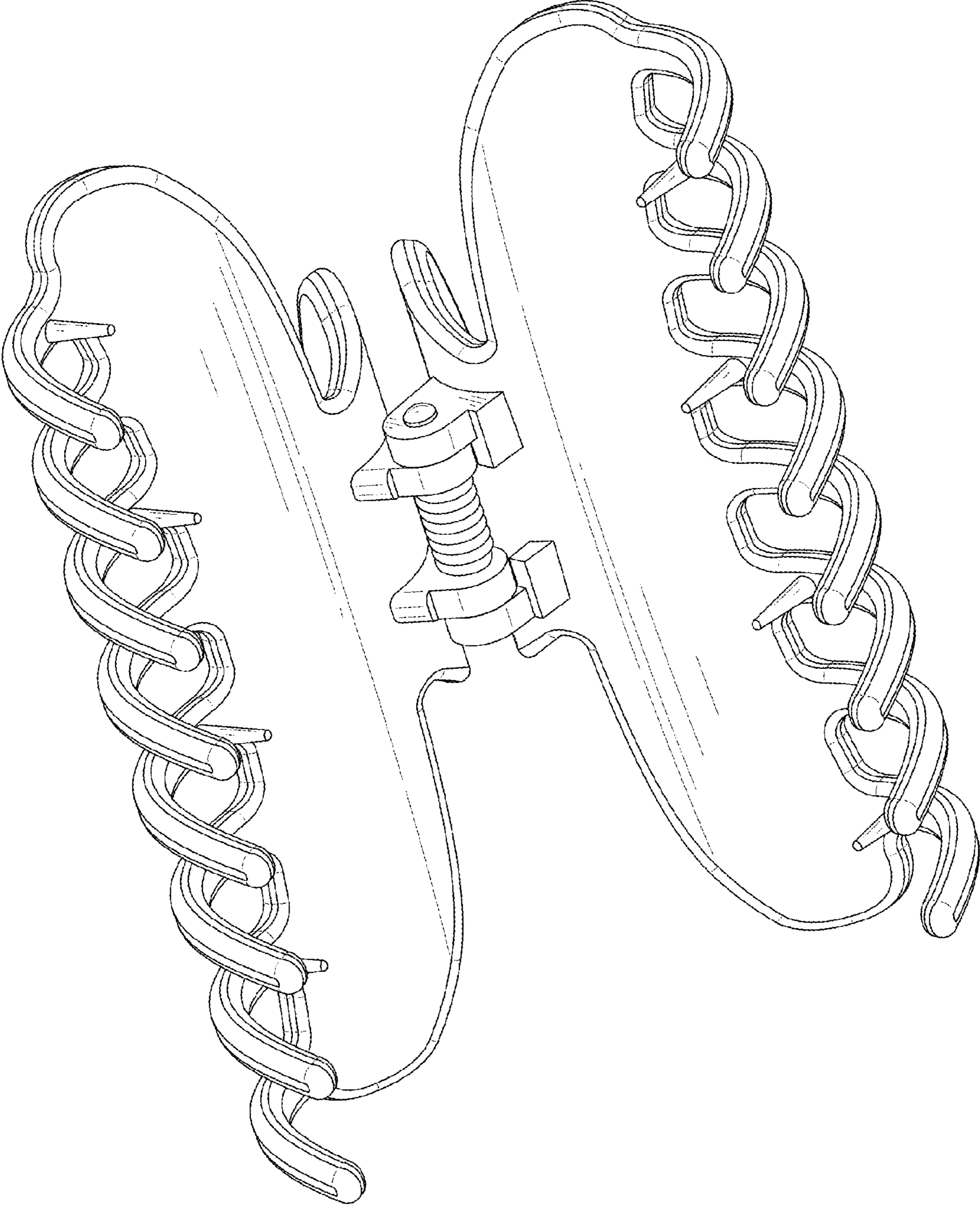


FIG. 2

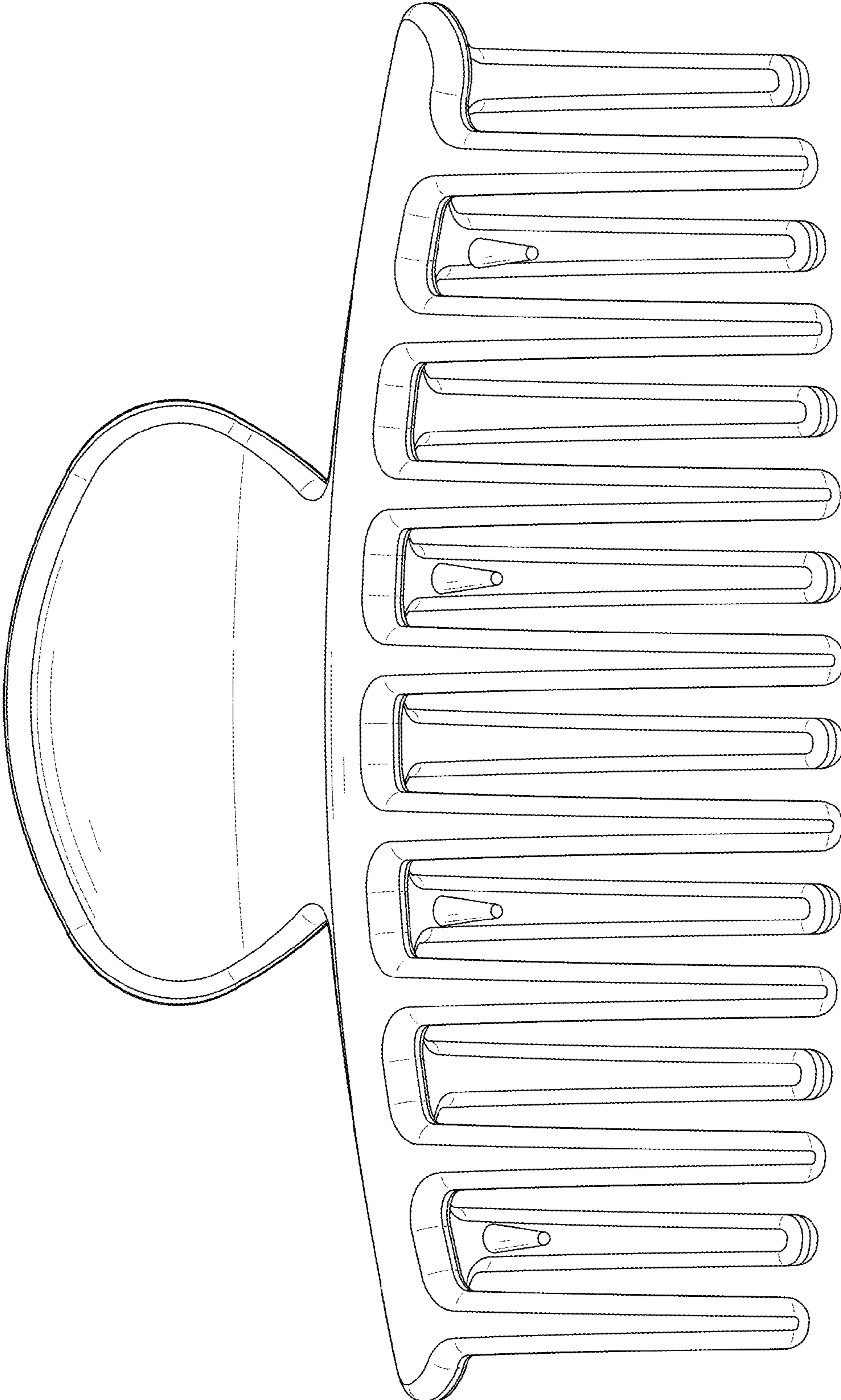


FIG. 3

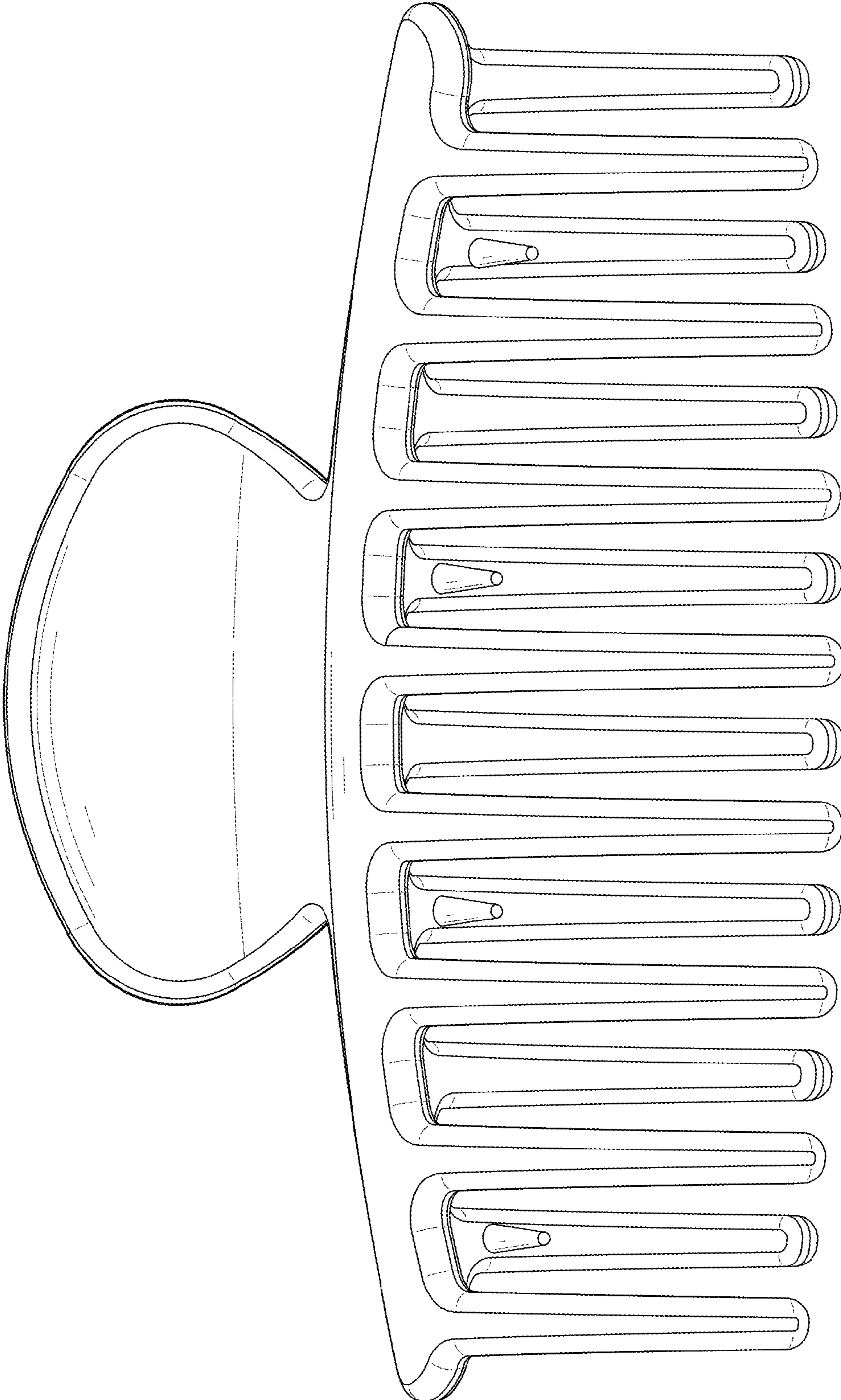


FIG. 4

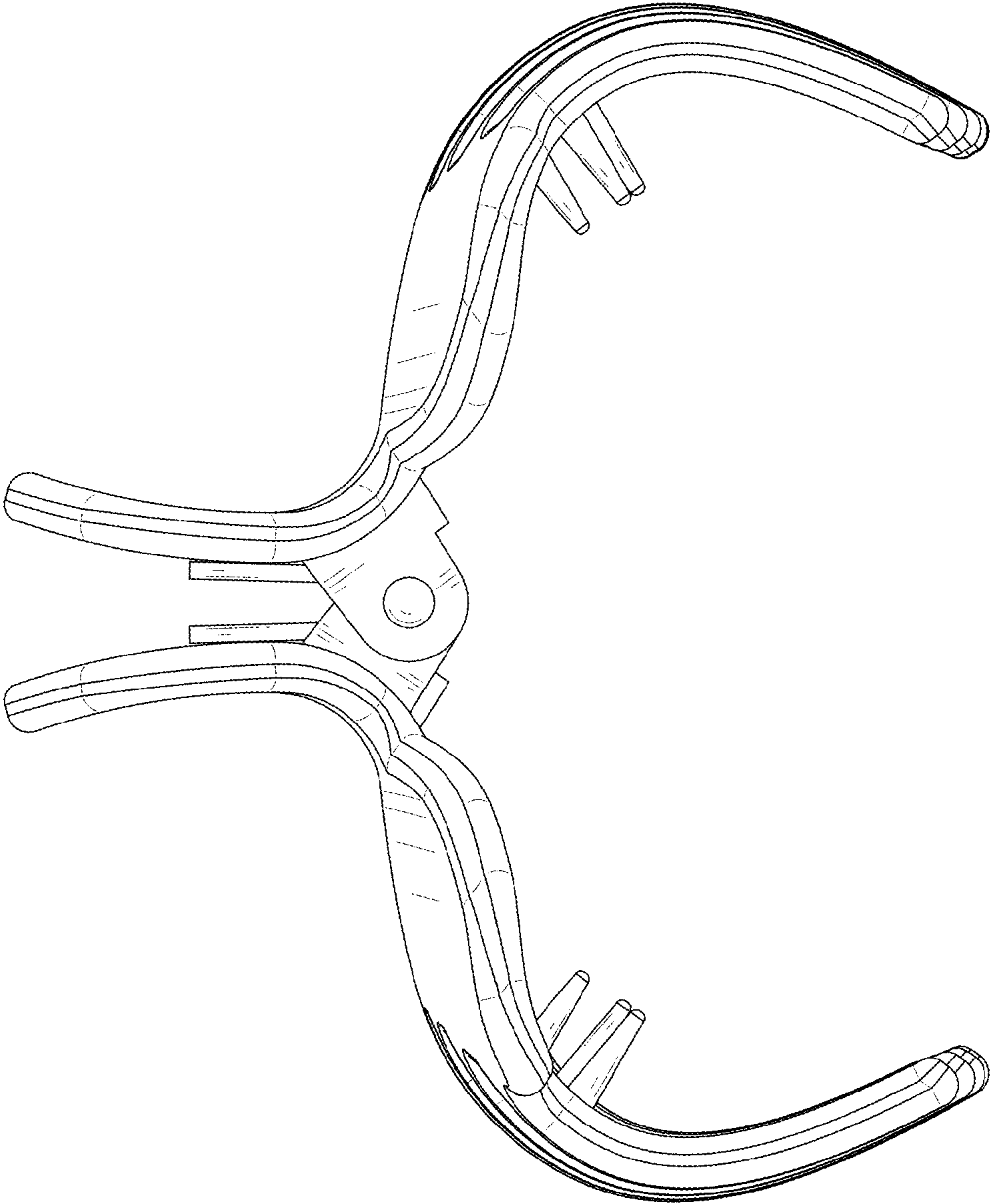


FIG. 5

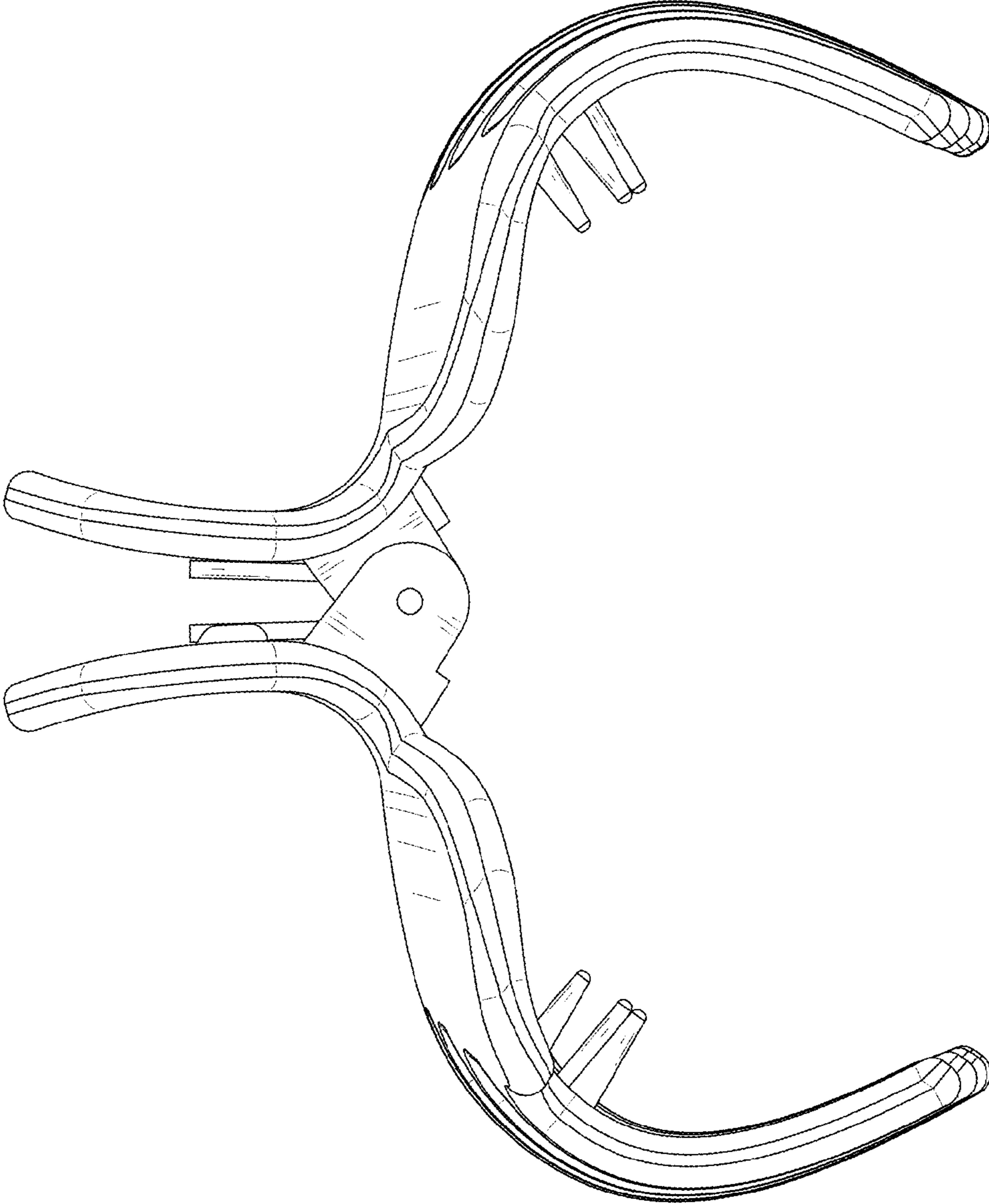


FIG. 6

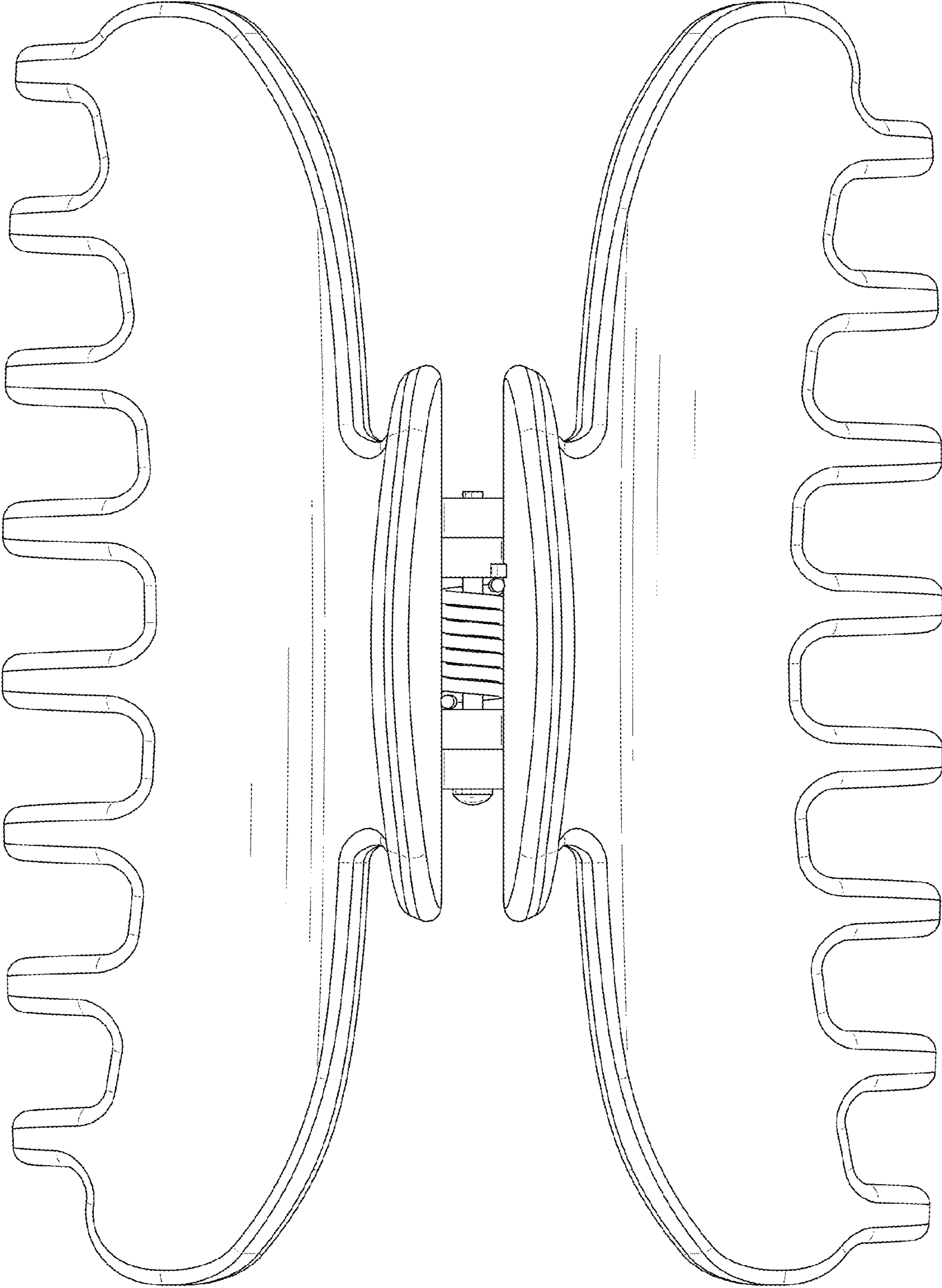


FIG. 7

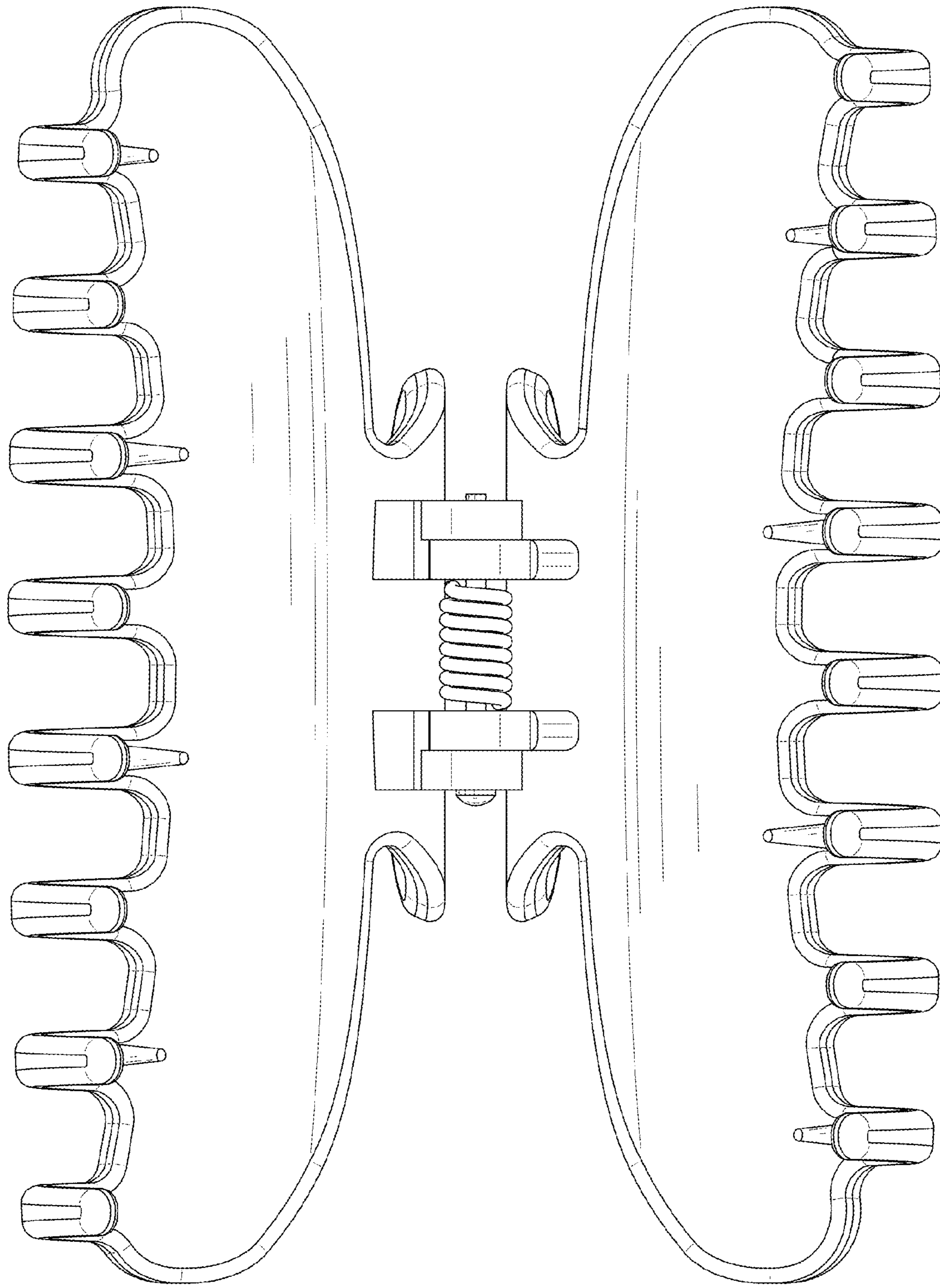


FIG. 8

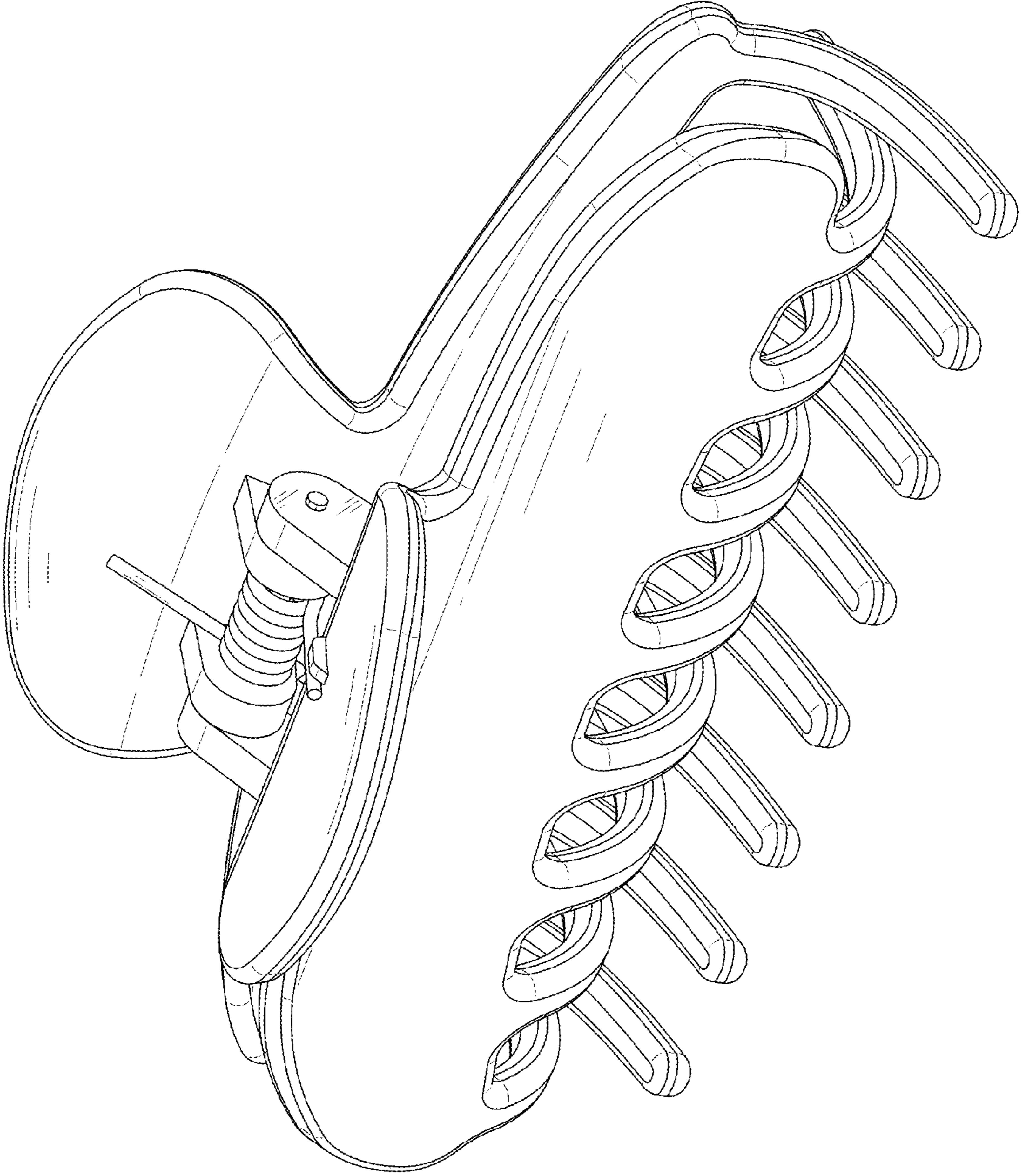


FIG. 9