



US00D923243S

(12) **United States Design Patent** (10) **Patent No.:** **US D923,243 S**  
**Ness** (45) **Date of Patent:** **\*\* Jun. 22, 2021**

(54) **LICE COMB**

FOREIGN PATENT DOCUMENTS

(71) Applicant: **Tec Laboratories, Inc.**, Albany, OR (US)

EM 007774153-0001 \* 3/2020

(72) Inventor: **Steven L. Ness**, Lebanon, OR (US)

OTHER PUBLICATIONS

(73) Assignee: **TEC LABORATORIES, INC.**, Albany, OR (US)

Tec Labs Licefreee Spray Head Lice Spray—Includes Professional Metal Nit and Lice Comb [online], [site visited Apr. 29, 2021]. Available from internet, URL:<<https://www.amazon.fr/lnt%C3%A9gr%C3%A9e-Enveloppe-Enfants-Adultes-Lausinator/dp/B06XFWX5K3>> (Year: 2021).\*

(\*\*) Term: **15 Years**

(Continued)

(21) Appl. No.: **29/713,400**

*Primary Examiner* — Cynthia Ramirez

(22) Filed: **Nov. 15, 2019**

*Assistant Examiner* — Xavier Marti-Santos

(51) **LOC (13) Cl.** ..... **28-03**

(74) *Attorney, Agent, or Firm* — David S. Alavi

(52) **U.S. Cl.**

(57) **CLAIM**

USPC ..... **D28/31**; D28/21

The ornamental design for a lice comb, as shown and described.

(58) **Field of Classification Search**

**DESCRIPTION**

USPC ..... D28/10, 21, 22, 25, 27, 30, 31, 34;  
D30/158, 159, 162

FIG. 1 is a front perspective view of a lice comb showing my new design.

CPC ..... A01K 13/002; A01K 13/00; A45D 20/02;  
A45D 8/12; A45D 24/00; A45D 24/02;

FIG. 2 is a back perspective view of the lice comb.

A45D 24/12; A45D 24/34

FIG. 3 is a front view of the lice comb.

See application file for complete search history.

FIG. 4 is a back view of the lice comb.

(56) **References Cited**

FIG. 5 is a right side view of the lice comb; the left side view is a mirror image of the right side view and is not shown.

U.S. PATENT DOCUMENTS

FIG. 6 is a cross-sectional view of the lice comb taken along line 6-6 in FIG. 3.

|              |         |                   |        |
|--------------|---------|-------------------|--------|
| 2,153,126 A  | 4/1939  | Andersson         |        |
| 2,430,303 A  | 11/1947 | Ruhl              |        |
| D259,667 S   | 6/1981  | Williams          |        |
| D289,335 S   | 4/1987  | Scofield et al.   |        |
| 4,671,303 A  | 6/1987  | Saferstein et al. |        |
| D307,192 S   | 4/1990  | Saferstein et al. |        |
| D311,455 S * | 10/1990 | Snipes            | D4/129 |
| 5,072,746 A  | 12/1991 | Kantor            |        |
| D332,505 S   | 1/1993  | Ward              |        |
| D353,915 S   | 12/1994 | Lanne             |        |
| D365,662 S   | 12/1995 | Leman             |        |

FIG. 7 is a top view of the lice comb.

FIG. 8 is a bottom view of the lice comb.

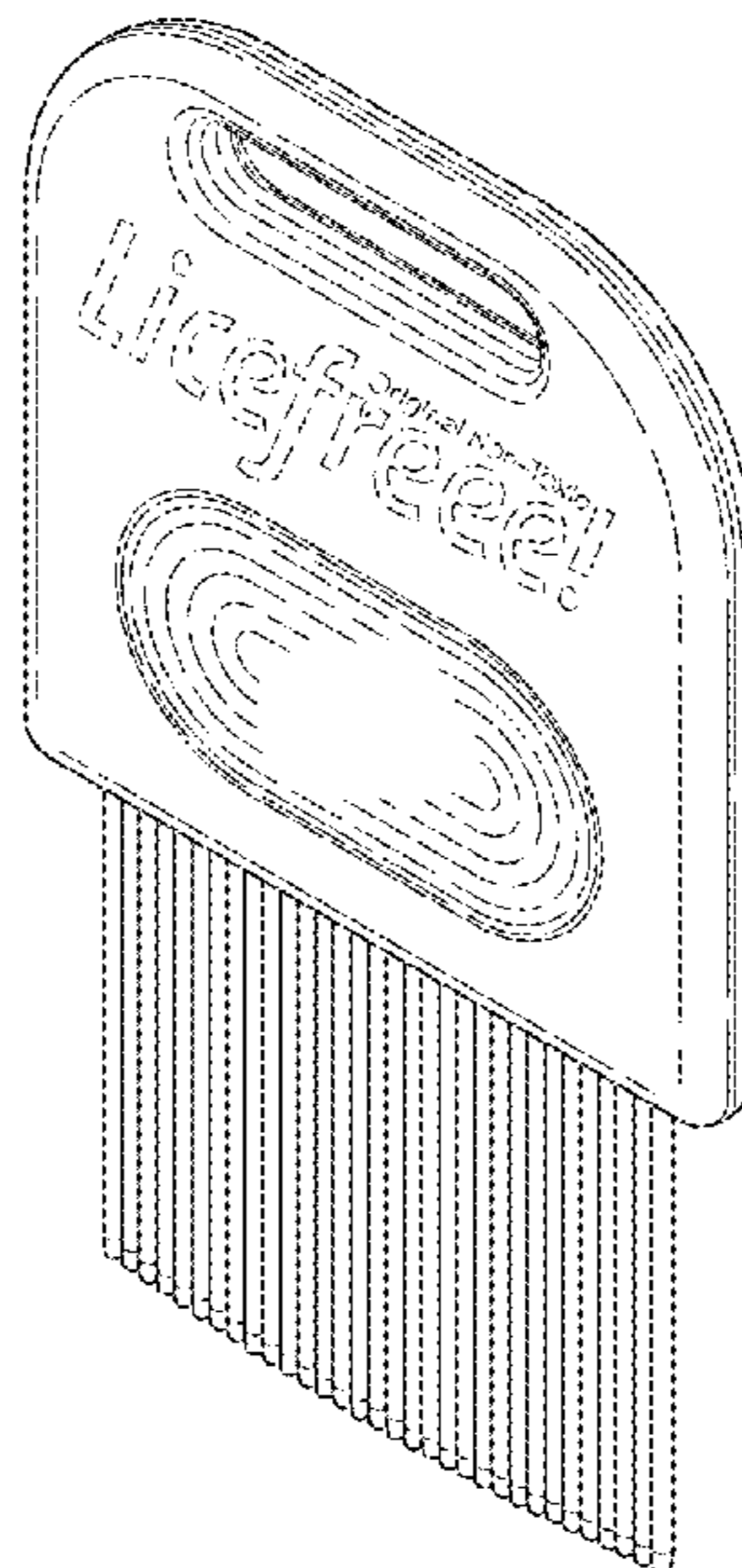
FIG. 9 is a cross-sectional view of the lice comb taken along line 9-9 in FIG. 3; and,

FIG. 10 is a cross-sectional view of the lice comb taken along line 10-10 in FIG. 3.

The broken lines in the figures are for the purpose of illustrating portions of the lice comb, which form no part of the claimed design.

(Continued)

**1 Claim, 3 Drawing Sheets**



(56)

**References Cited**

U.S. PATENT DOCUMENTS

5,636,646 A \* 6/1997 Zito ..... A45D 24/30  
132/149  
5,873,374 A 2/1999 Sanz  
D415,595 S 10/1999 O'Farrell et al.  
6,158,443 A \* 12/2000 Leman ..... A45D 24/10  
132/102  
D441,136 S 4/2001 Leman  
D457,267 S 5/2002 Levandovsky  
D493,571 S 7/2004 Jenkins  
D507,682 S 7/2005 Dunn et al.  
D524,983 S 7/2006 Smith et al.  
D561,393 S 2/2008 Burchakchi  
D607,274 S 1/2010 De Pra'  
D670,432 S 11/2012 Driver  
D699,890 S 2/2014 Leman  
D703,867 S 4/2014 Srivastava

D770,093 S 10/2016 Smith  
D799,117 S 10/2017 Larsen  
D817,547 S 5/2018 Brodbeck  
D835,858 S 12/2018 Tipton  
D837,464 S 1/2019 Park  
D854,244 S 7/2019 Skinner  
D874,060 S \* 1/2020 Galekovic ..... D28/21  
2009/0314305 A1 \* 12/2009 Bachrach ..... A45D 24/30  
132/200  
2012/0234342 A1 \* 9/2012 Sanz ..... A45D 24/02  
132/219  
2017/0172106 A1 \* 6/2017 Koursiotis ..... A01K 13/002

OTHER PUBLICATIONS

Spec sheet for lice comb (redacted); Tec Laboratories Inc; 2012;  
corresponds to co-owned U.S. Pat. No. D. 524,983.

\* cited by examiner

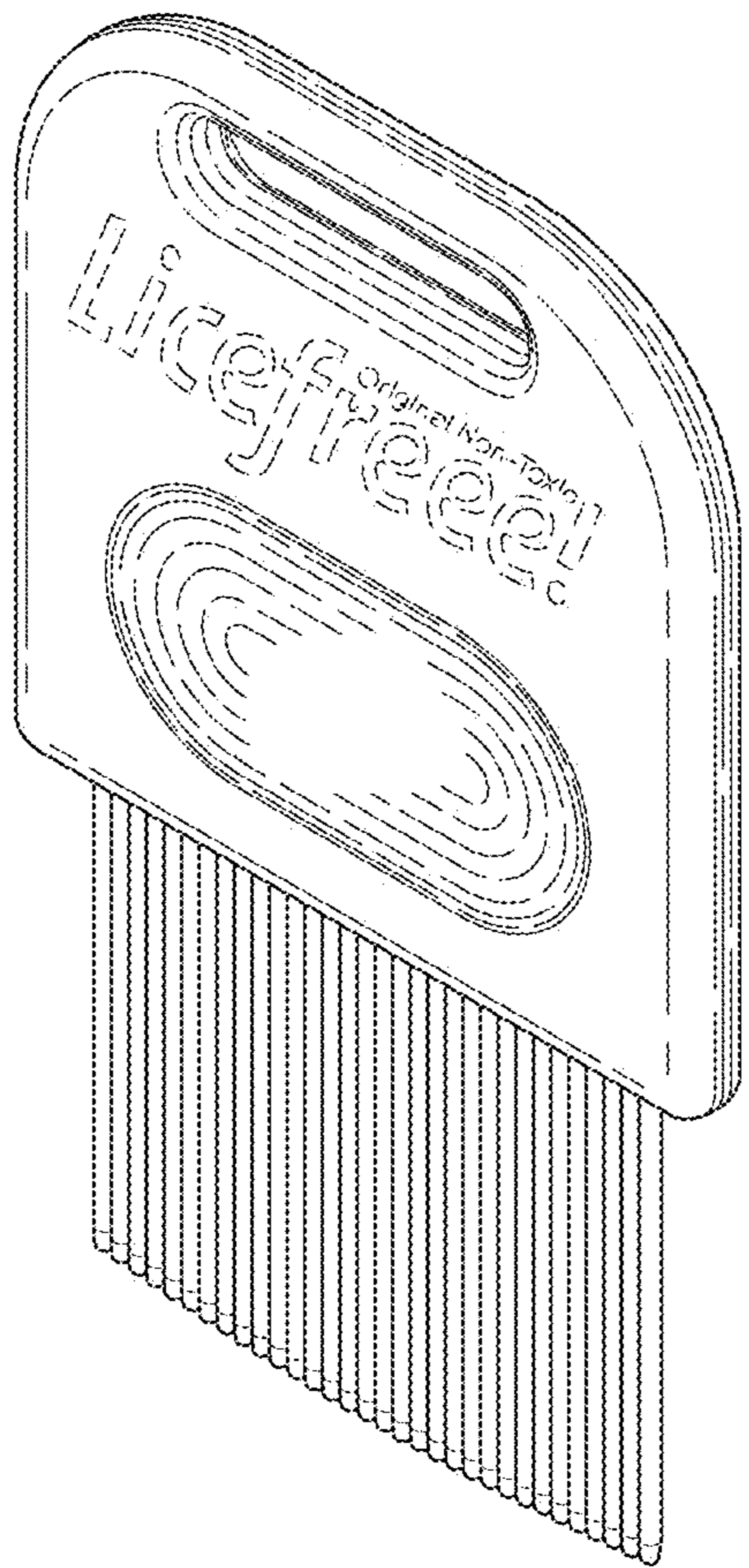


FIG. 1

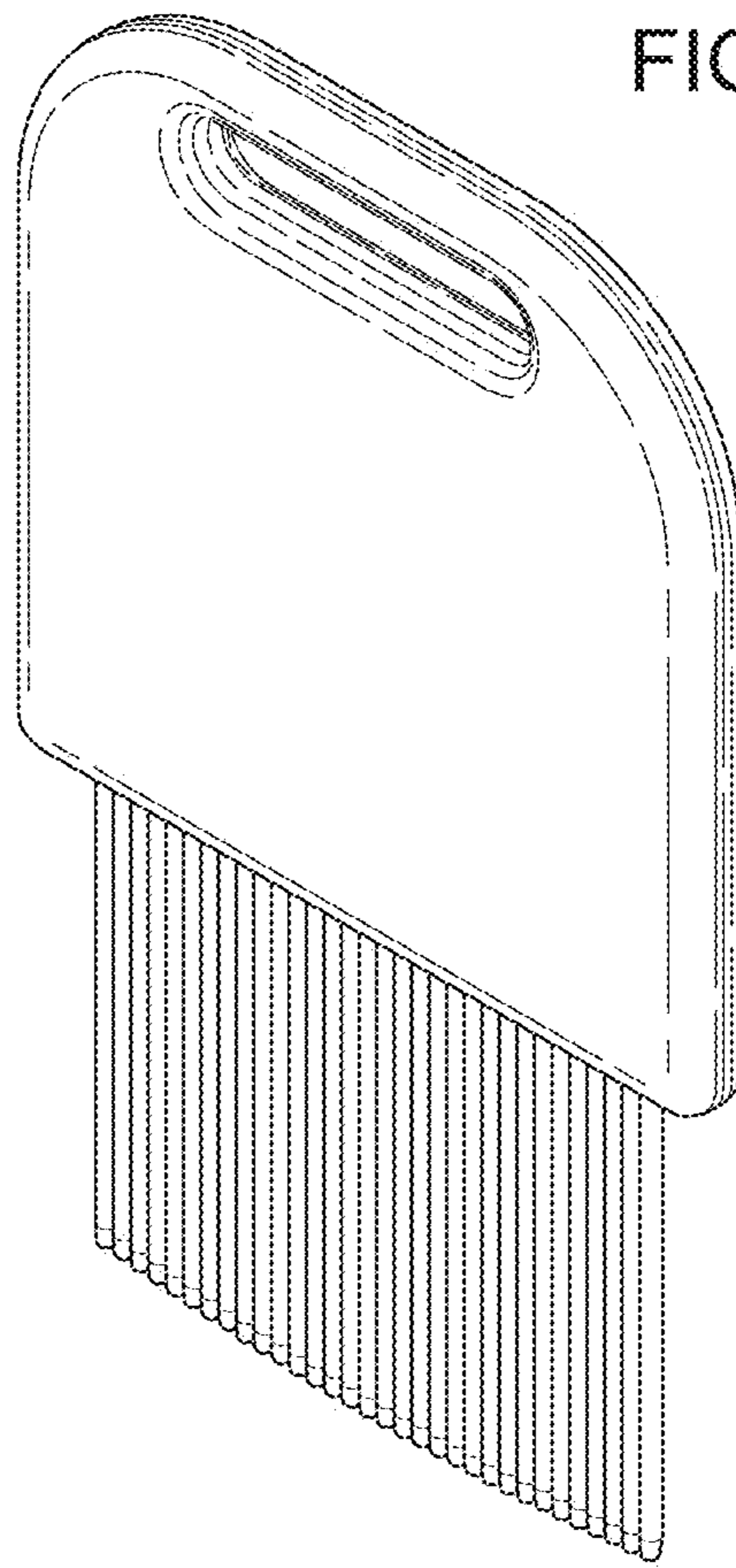


FIG. 2

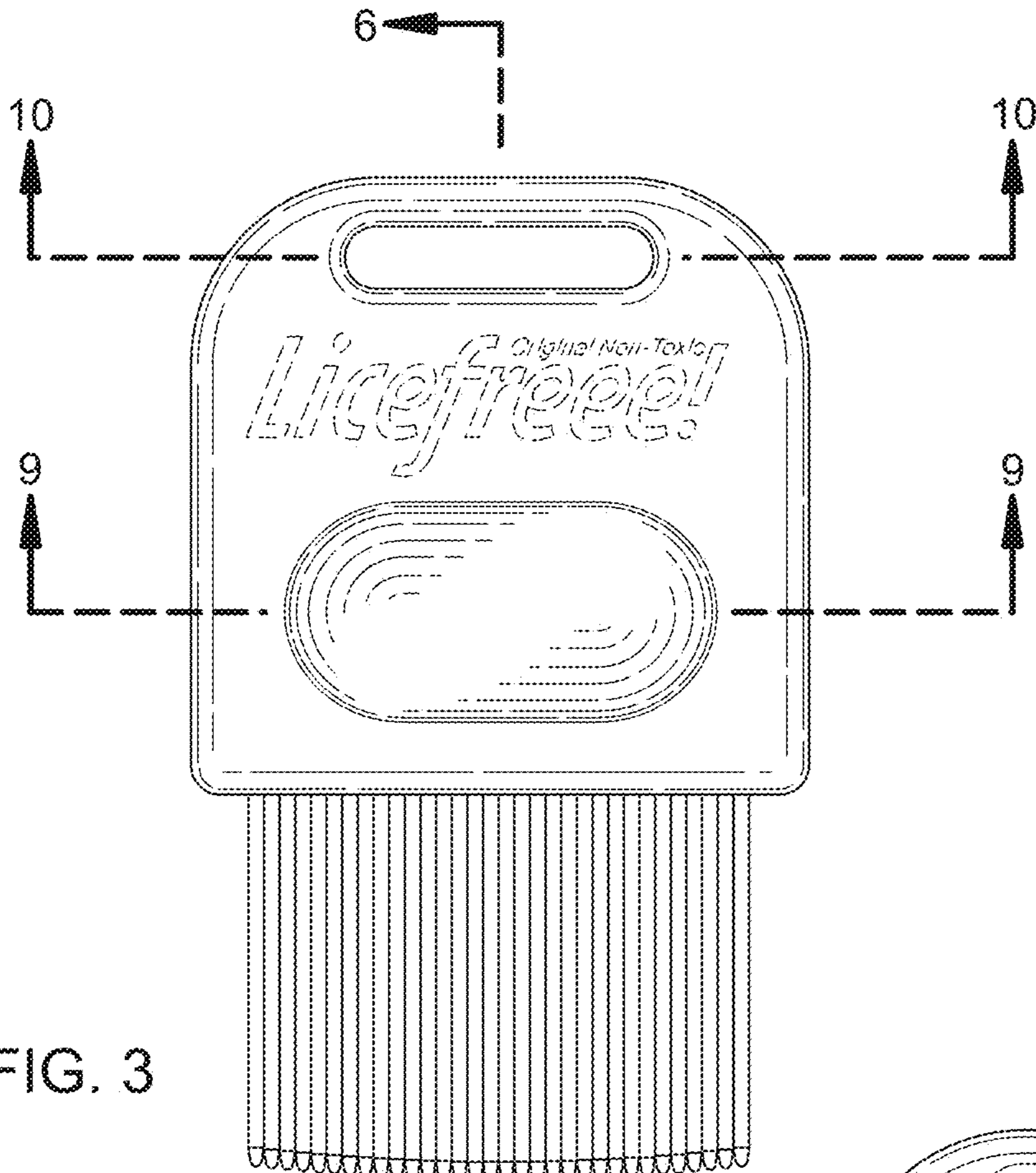


FIG. 3

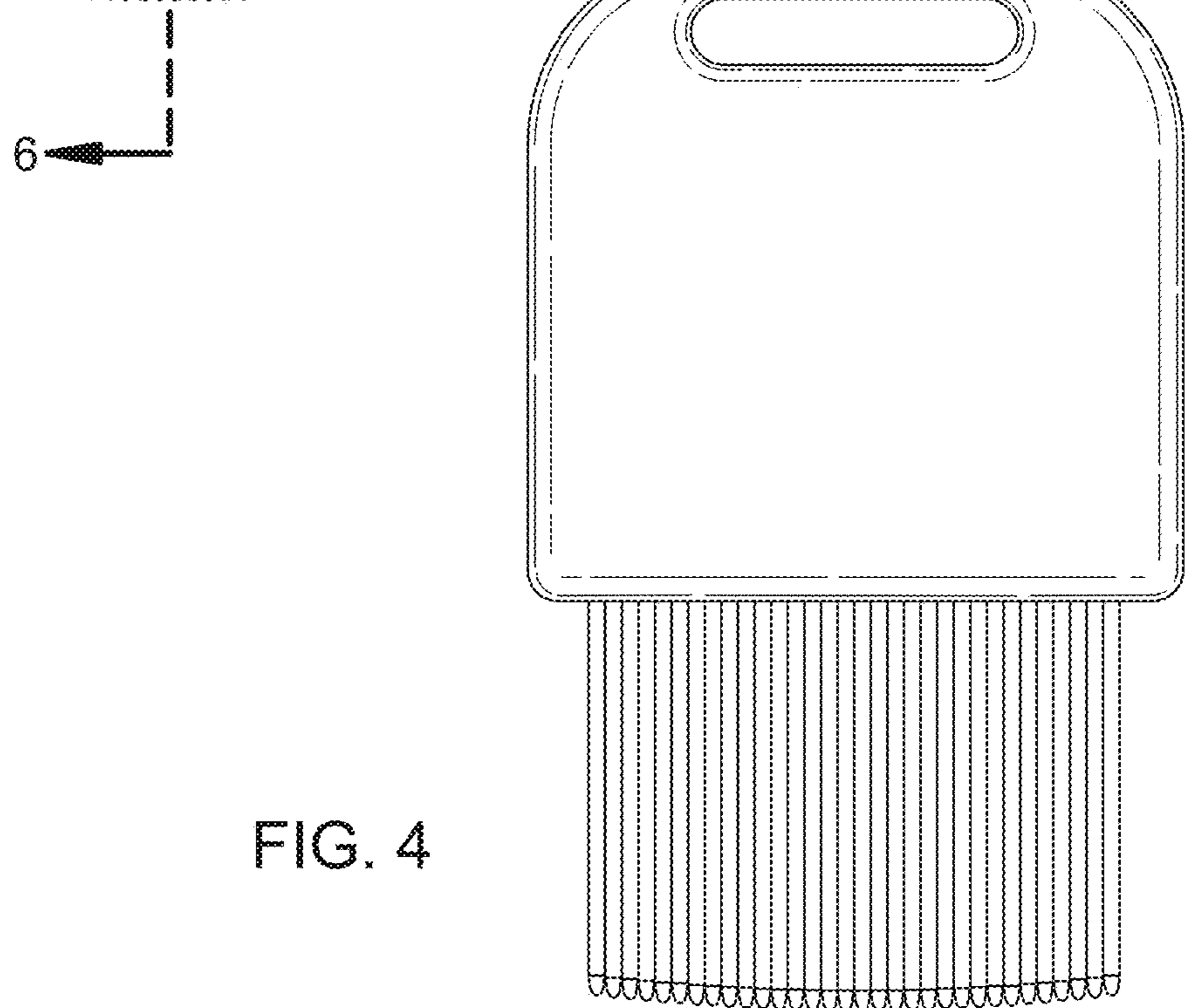


FIG. 4



FIG. 5

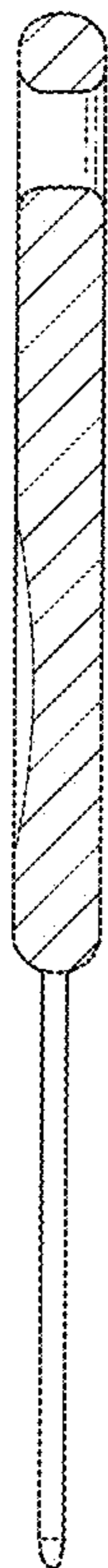


FIG. 6



FIG. 7

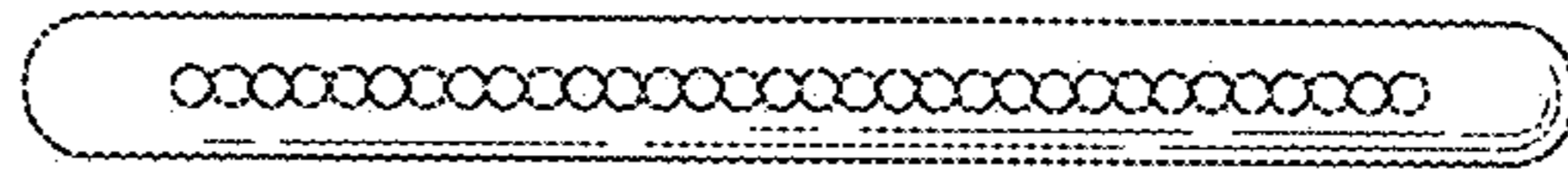


FIG. 8

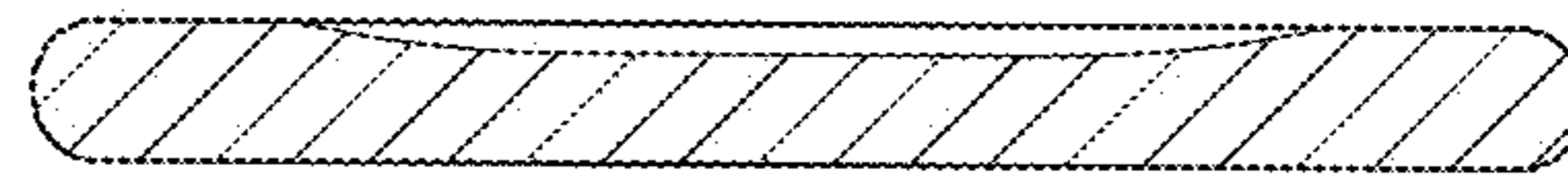


FIG. 9

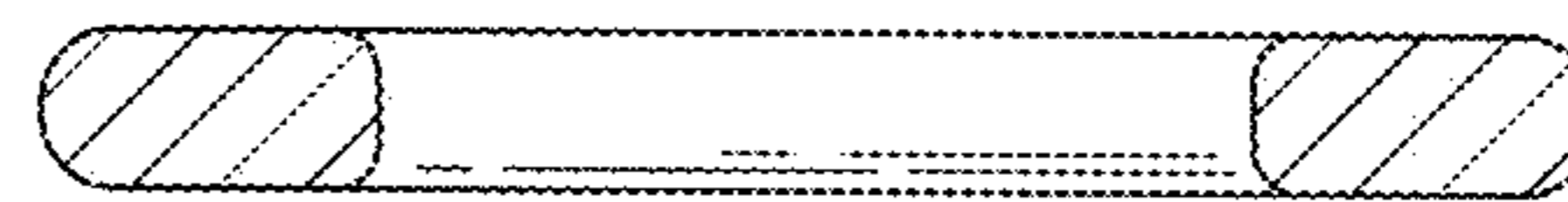


FIG. 10