



US00D923241S

(12) **United States Design Patent** (10) **Patent No.:** **US D923,241 S**
Markovic et al. (45) **Date of Patent:** **** Jun. 22, 2021**

(54) **VAPORIZER CARTRIDGE CONTAINER**

(71) Applicant: **Pax Labs, Inc.**, San Francisco, CA (US)

(72) Inventors: **Marko Markovic**, San Francisco, CA (US); **Alexander Weiss**, Oakland, CA (US); **David Carlberg**, Portland, OR (US); **Kenton Ngo**, San Francisco, CA (US); **Christopher Nicholas Hibmacronan**, Oakland, CA (US); **Hanna Bossmark**, San Francisco, CA (US)

(73) Assignee: **Pax Labs, Inc.**, San Francisco, CA (US)

(**) Term: **15 Years**

(21) Appl. No.: **29/649,387**

(22) Filed: **May 29, 2018**

(51) **LOC (13) Cl.** **27-06**

(52) **U.S. Cl.**
USPC **D27/172**

(58) **Field of Classification Search**
USPC D27/162, 100, 101, 163–165, 172, 183, D27/185–194; D24/110, 100.5; D23/366
CPC A24F 47/002; A24F 47/006; A24F 47/008; A61M 15/00; A61M 15/06
See application file for complete search history.

(56) **References Cited**

U.S. PATENT DOCUMENTS

D656,230 S *	3/2012	Robinson	D23/363
D664,636 S *	7/2012	Robinson	D23/360
D689,999 S *	9/2013	Viala	D23/366
D705,918 S *	5/2014	Robinson	D23/360
D741,823 S *	10/2015	Tateno	D13/182
D742,065 S *	10/2015	Leidel	D27/167
D742,492 S *	11/2015	Robinson	D23/360
D769,438 S *	10/2016	Crosby	D24/110
D790,765 S *	6/2017	Beer	D27/101

(Continued)

Primary Examiner — Marissa J Cash
Assistant Examiner — Rebecca Tsehaye

(74) *Attorney, Agent, or Firm* — Mintz Levin Cohn Ferris Glovsky and Popeo, P.C.

(57) **CLAIM**

The ornamental design for a vaporizer cartridge container, as shown and described.

DESCRIPTION

FIG. 1 is a top, front, and right side perspective view of a first-embodiment of a vaporizer cartridge container of our design;

FIG. 2 is a front view thereof;

FIG. 3 is a rear view thereof;

FIG. 4 is a right side view thereof;

FIG. 5 is a left side view thereof;

FIG. 6 is a top view thereof;

FIG. 7 is a bottom view thereof; and

FIG. 8 is an exploded perspective view of the vaporizer cartridge container in an open position.

FIG. 9 is a top, front, and right side perspective view of a second embodiment of a vaporizer cartridge container of our design;

FIG. 10 is a front view thereof;

FIG. 11 is a rear view thereof;

FIG. 12 is a right side view thereof;

FIG. 13 is a left side view thereof;

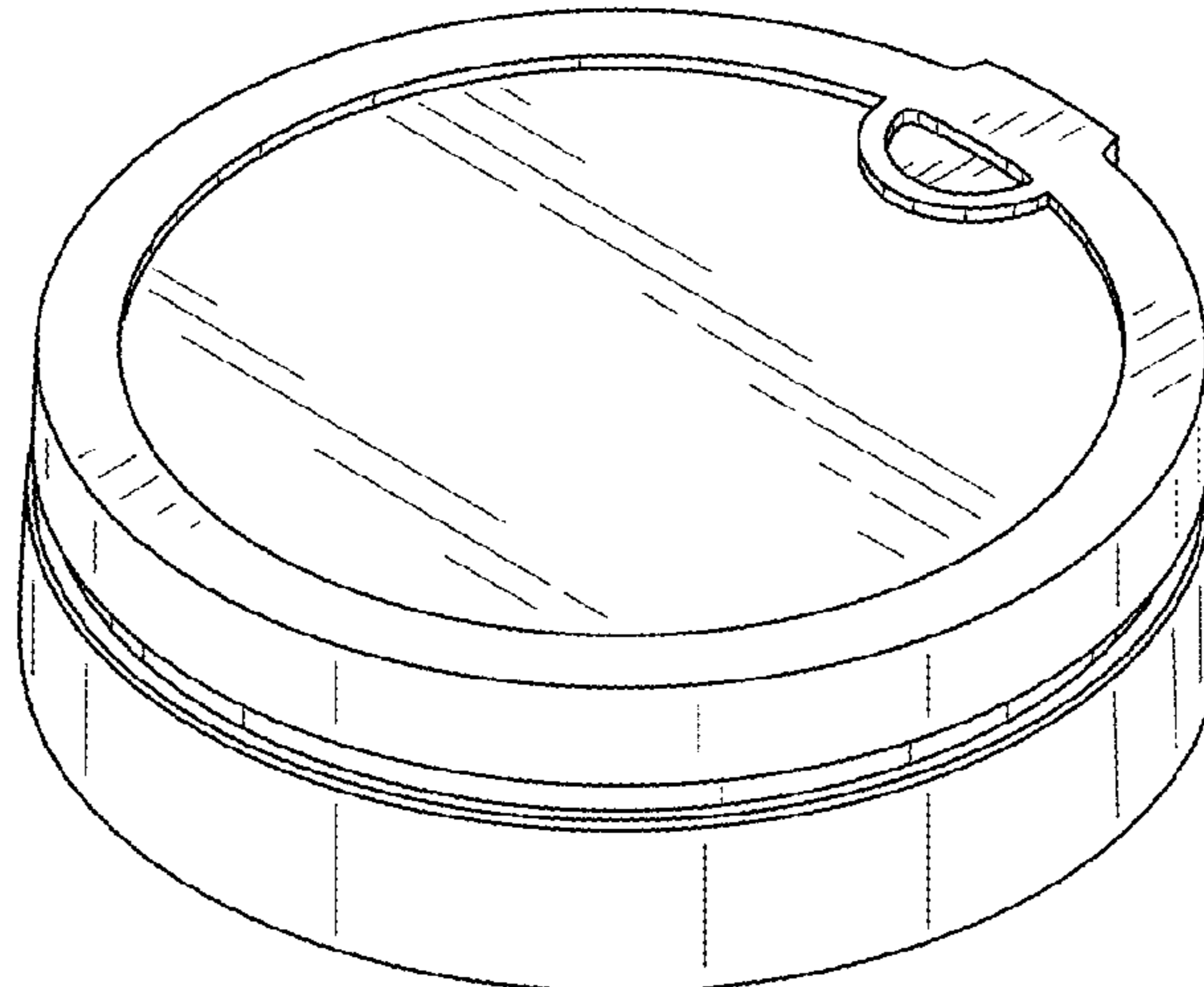
FIG. 14 is a top view thereof;

FIG. 15 is a bottom view thereof; and,

FIG. 16 is an exploded perspective view of the vaporizer cartridge container in an open position.

In FIGS. 1-15, the dash-dash broken lines illustrate portions of the vaporizer cartridge container that form no part of the claimed design. In FIG. 16, the dash-dash broken lines illustrate environment that forms no part of the claimed design.

1 Claim, 10 Drawing Sheets



(56)

References Cited

U.S. PATENT DOCUMENTS

D799,056 S *	10/2017	Bourgeois	D24/224
D800,380 S *	10/2017	Williams	D27/163
D858,745 S *	9/2019	Kurgan	D24/110
D872,853 S *	1/2020	Stuart	D24/110
D874,631 S *	2/2020	Lee	D23/366
D882,747 S *	4/2020	Li	D23/366
D890,419 S *	7/2020	Tasselli	D27/163
D892,795 S *	8/2020	Johnson	D14/384
2015/0128967 A1 *	5/2015	Robinson	A24F 47/008 131/328

* cited by examiner

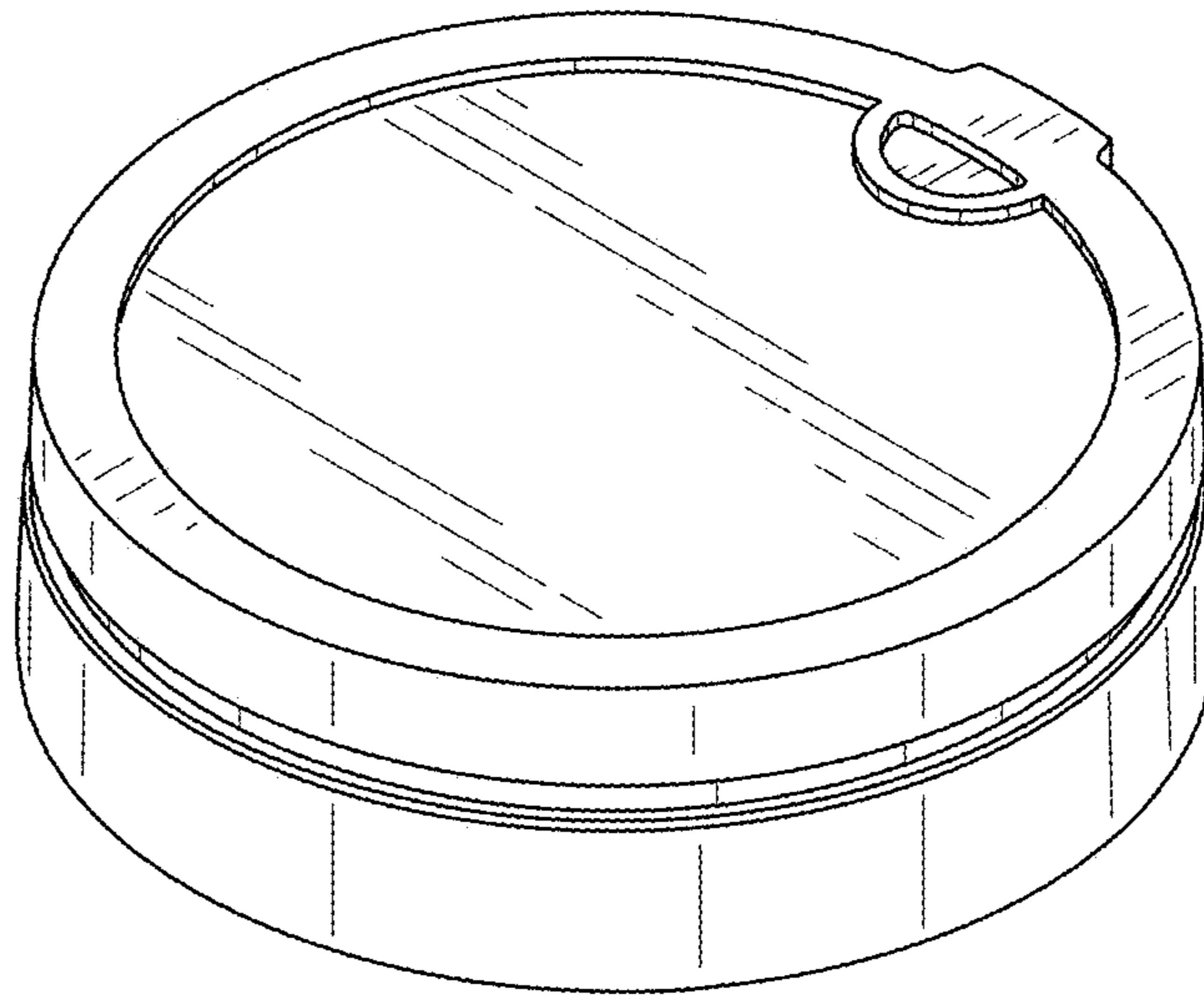


FIG. 1

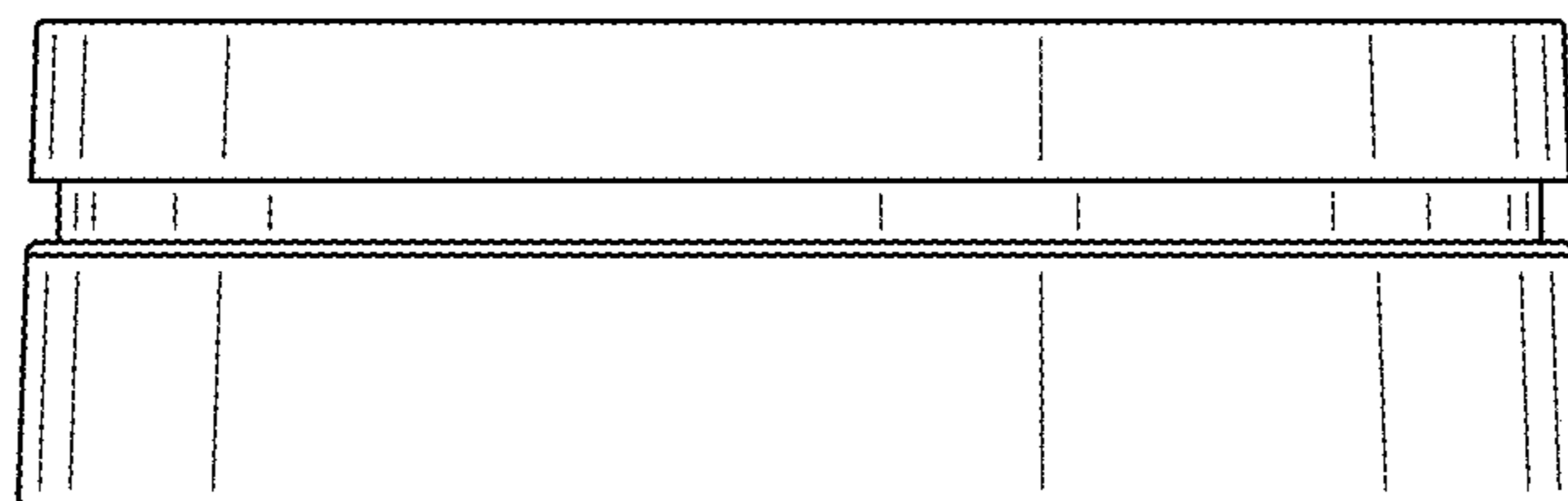


FIG. 2

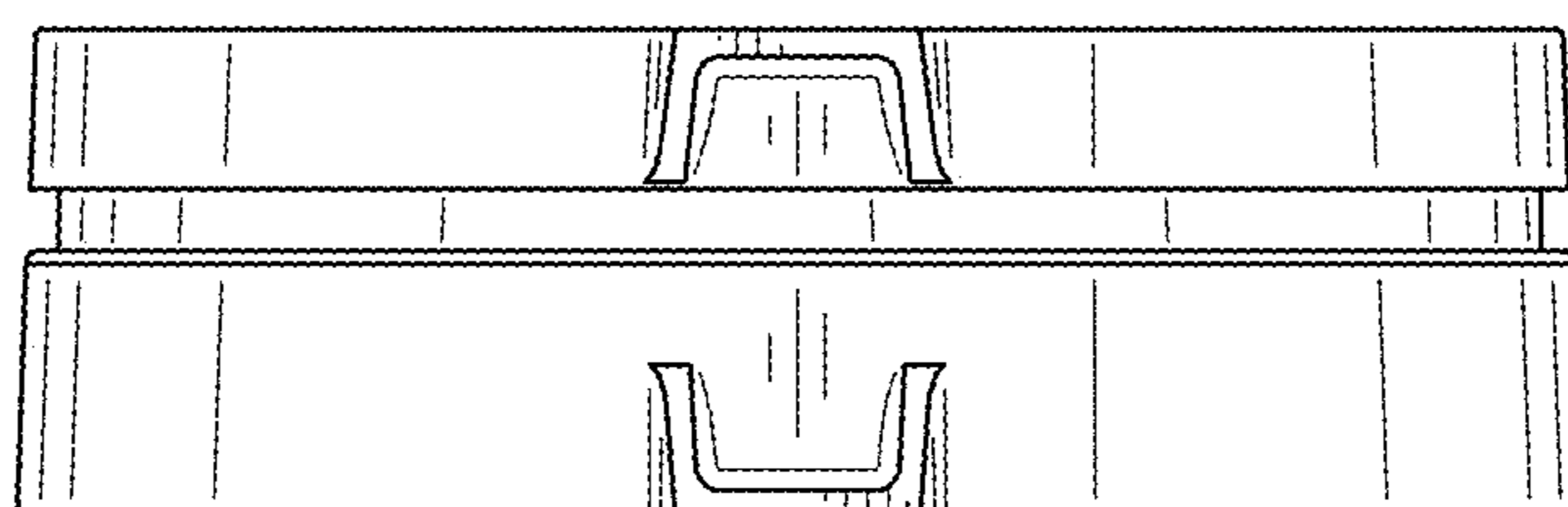


FIG. 3

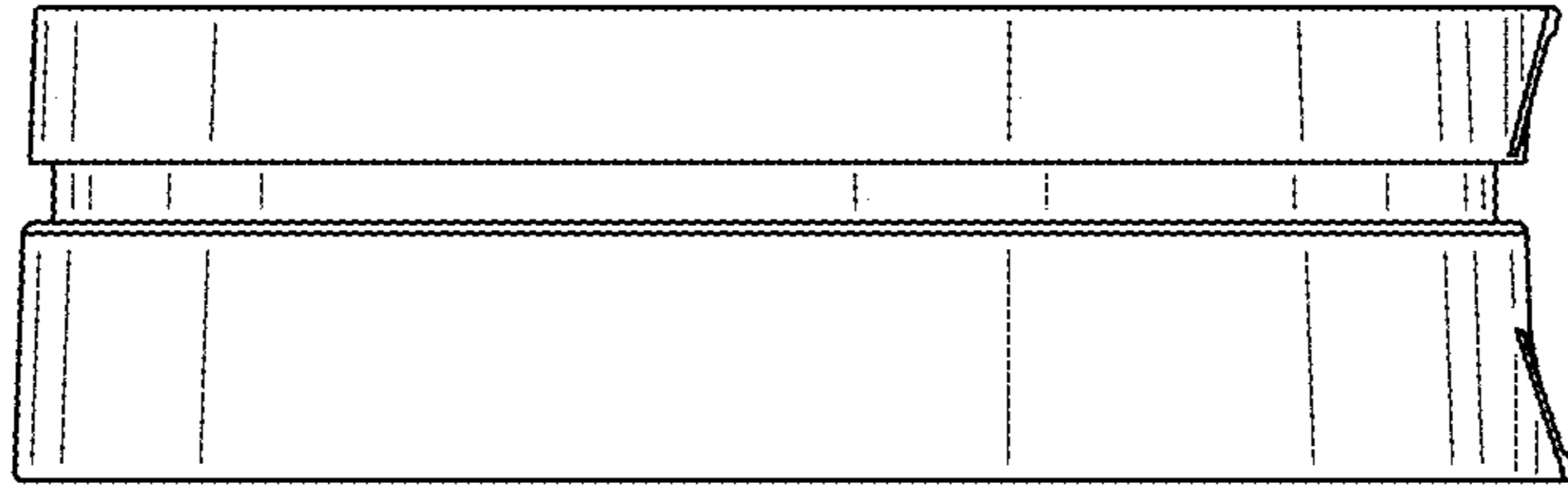


FIG. 4

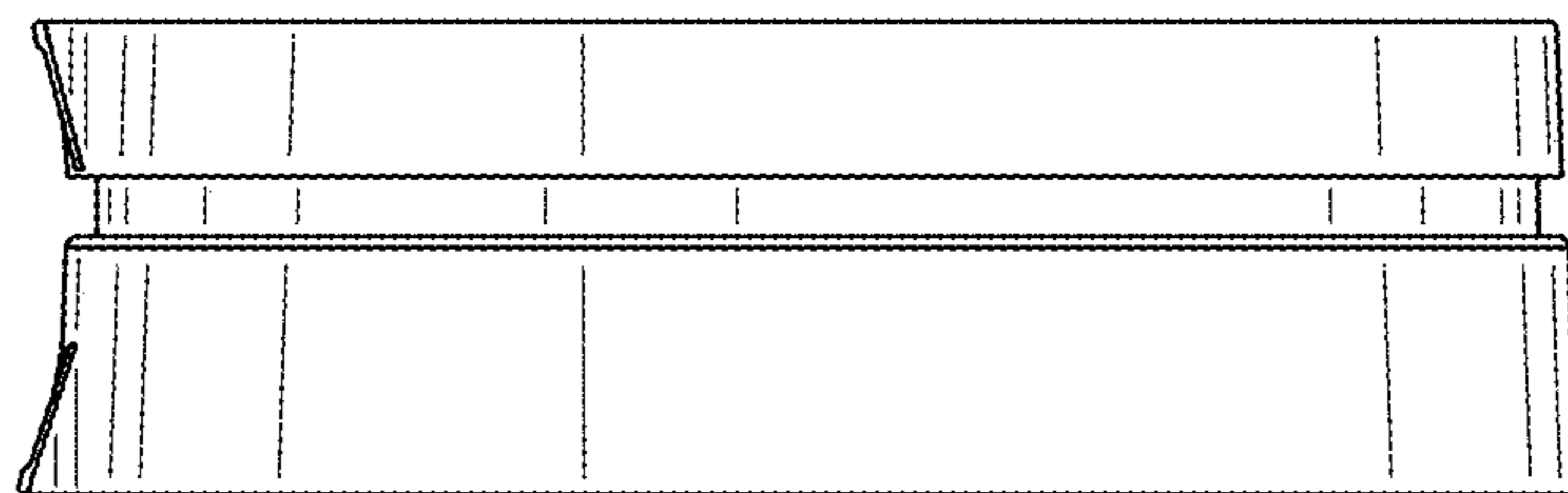


FIG. 5

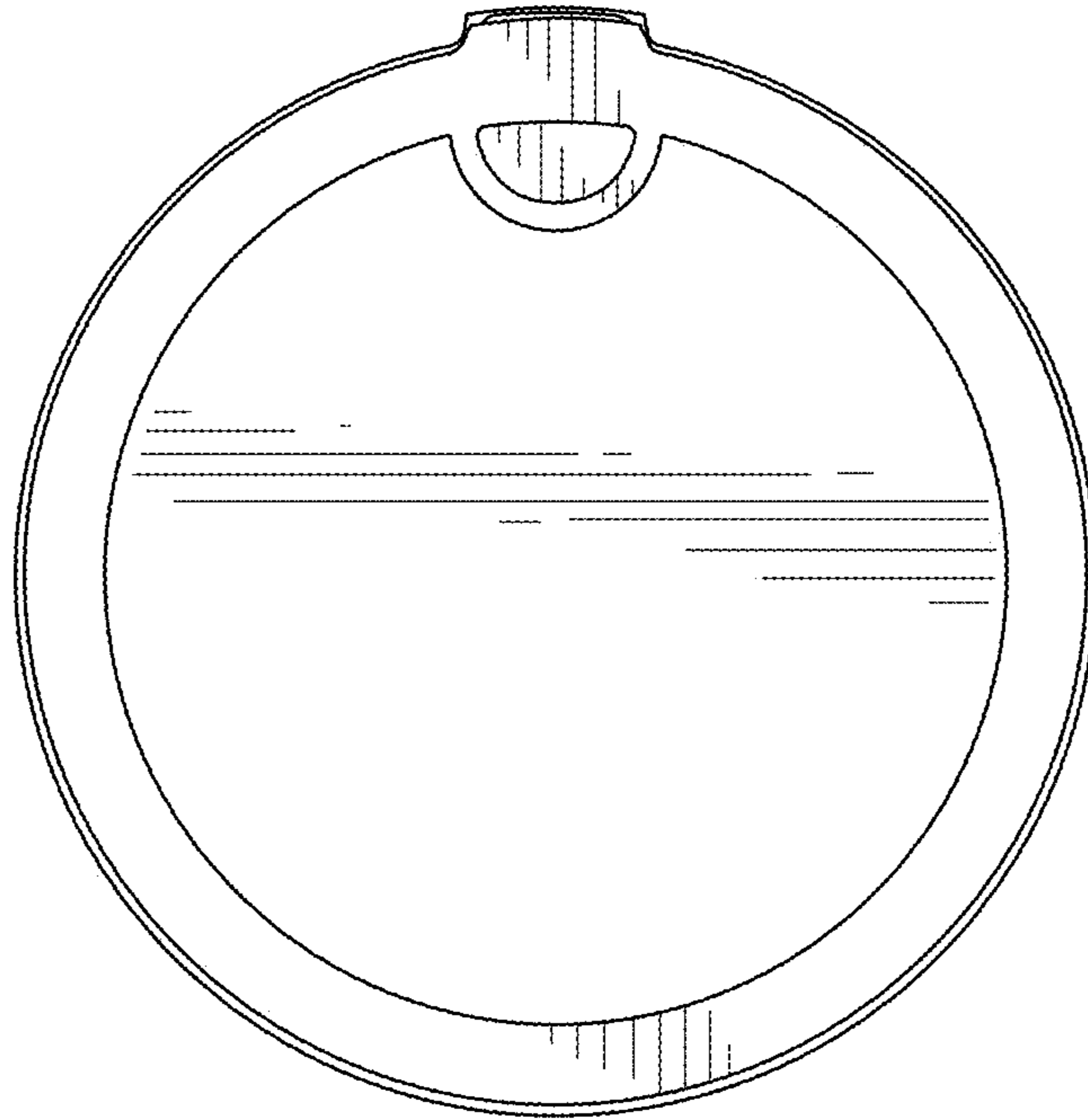


FIG. 6

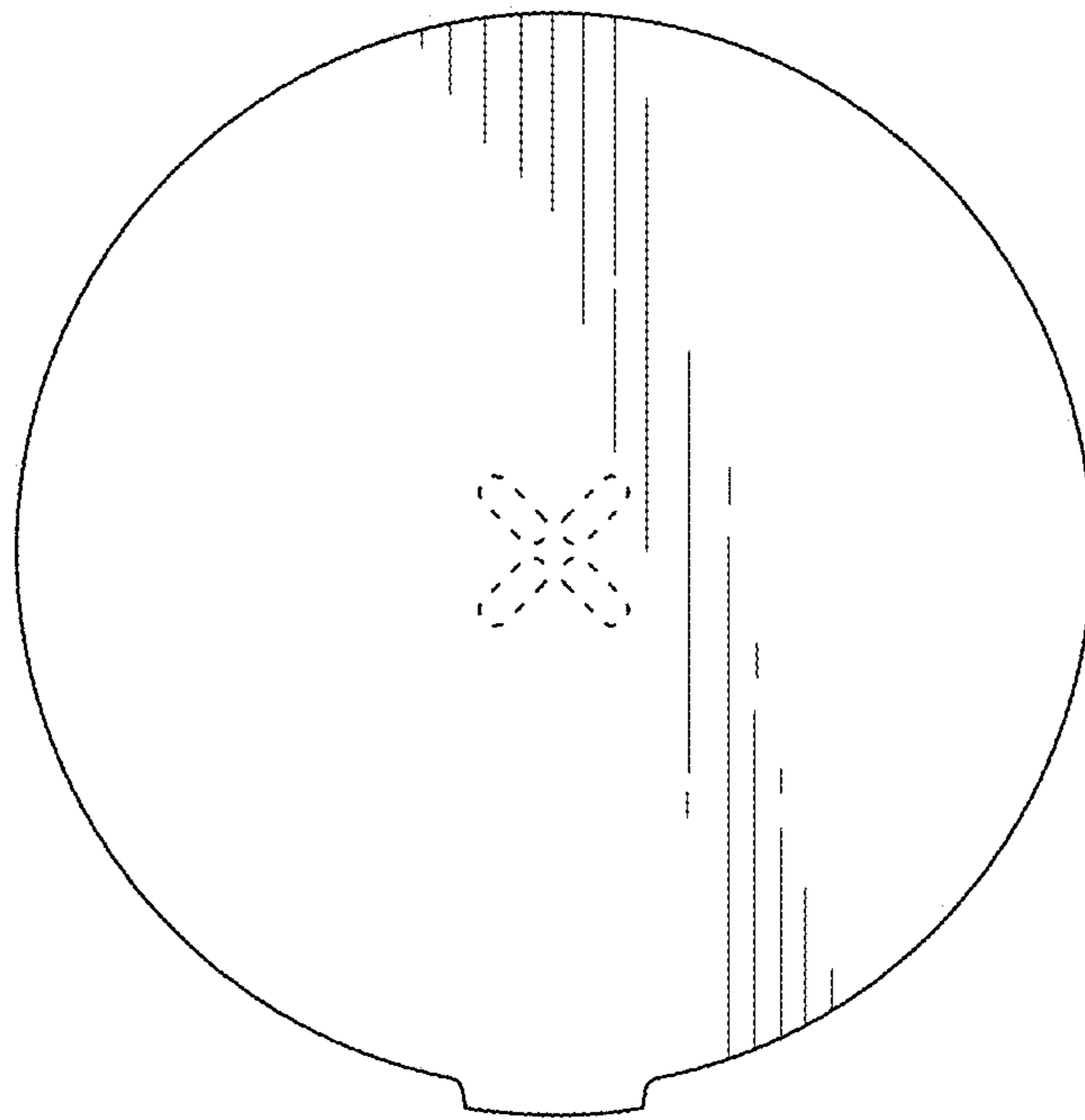


FIG. 7

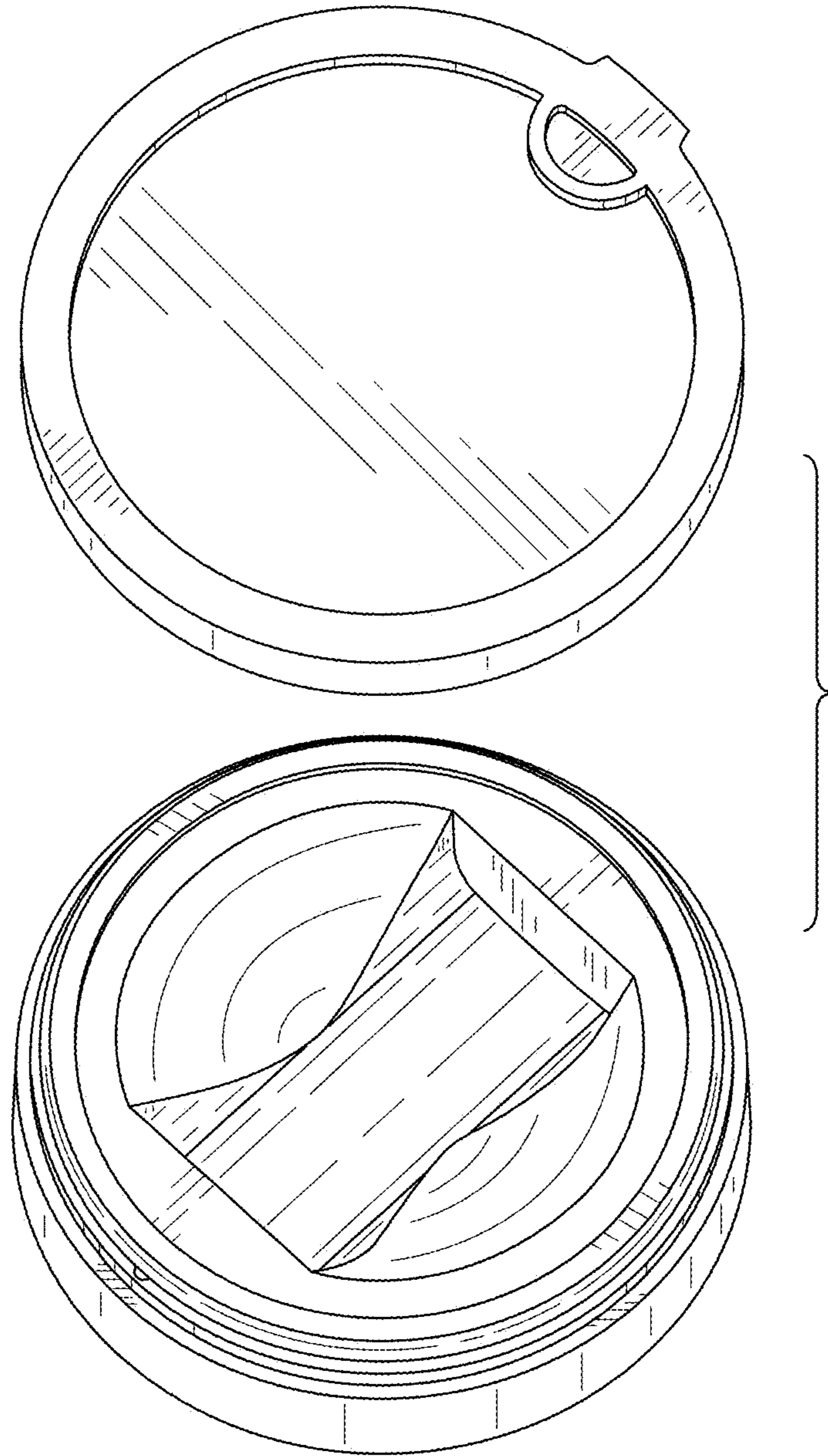


FIG. 8

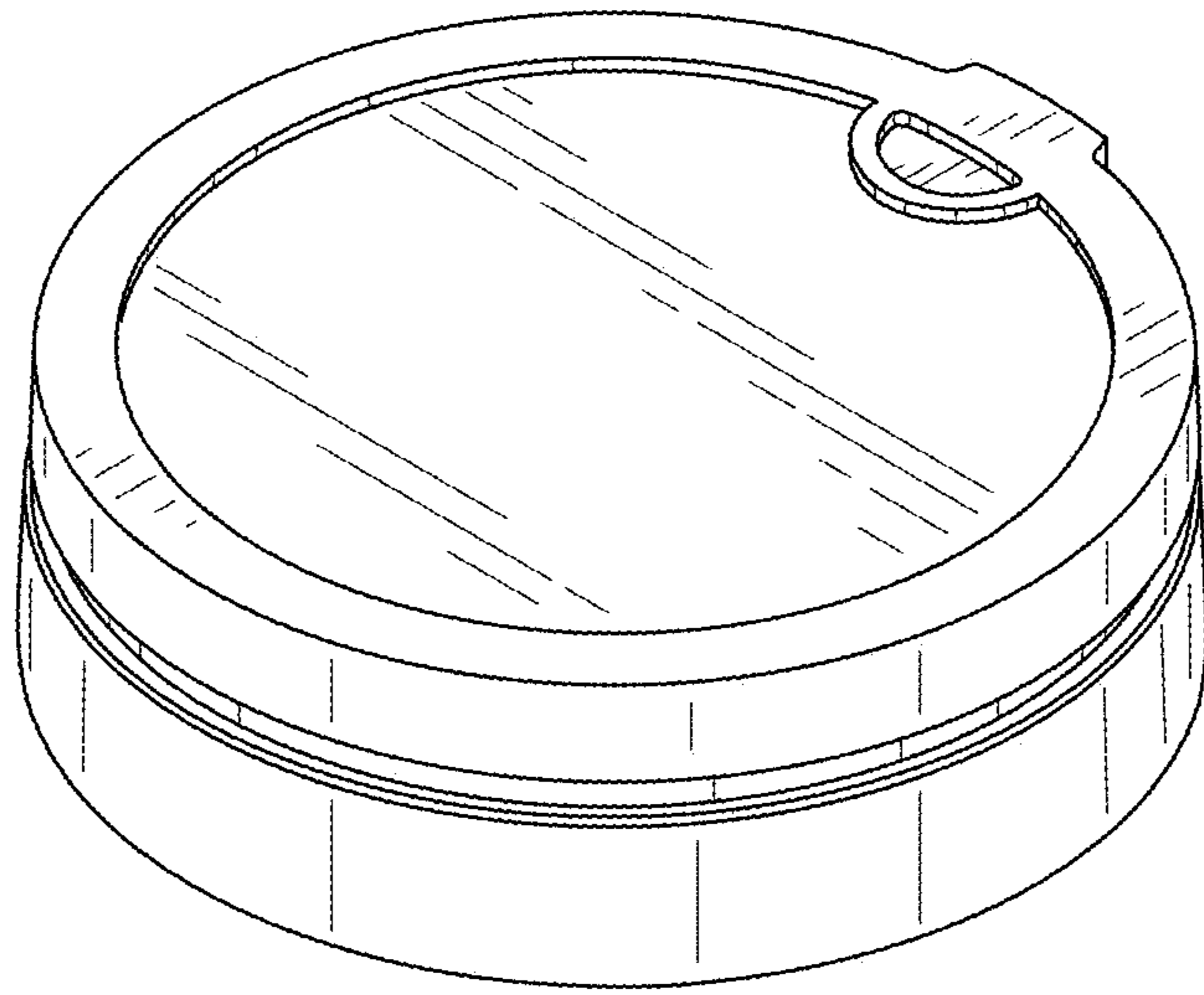


FIG. 9

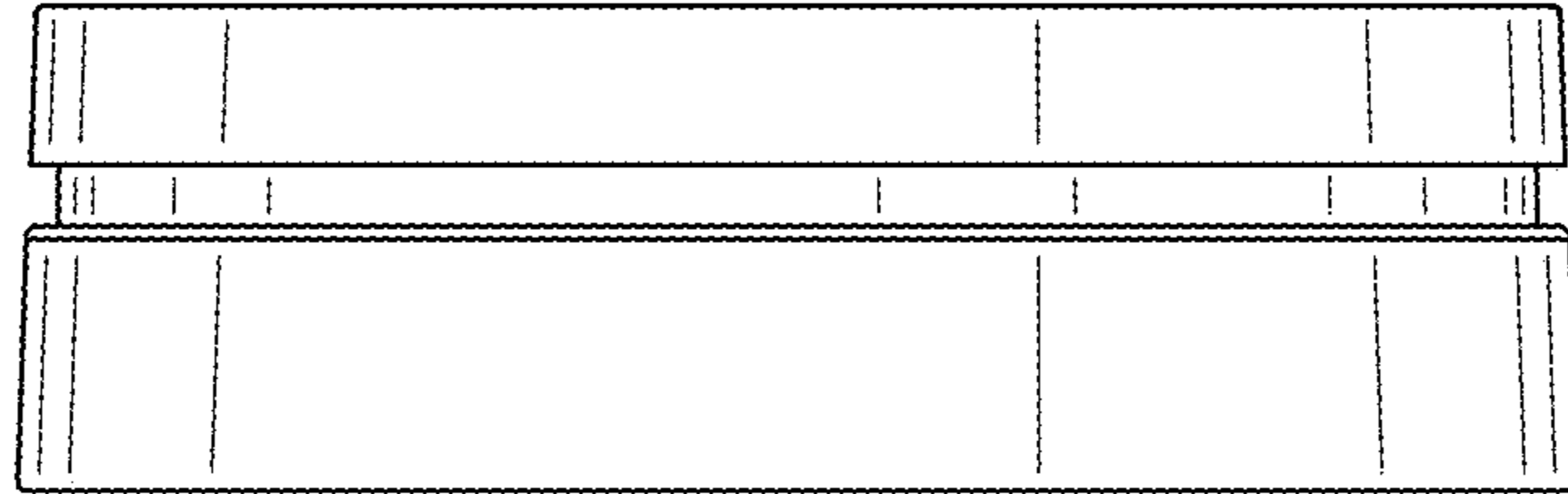


FIG. 10

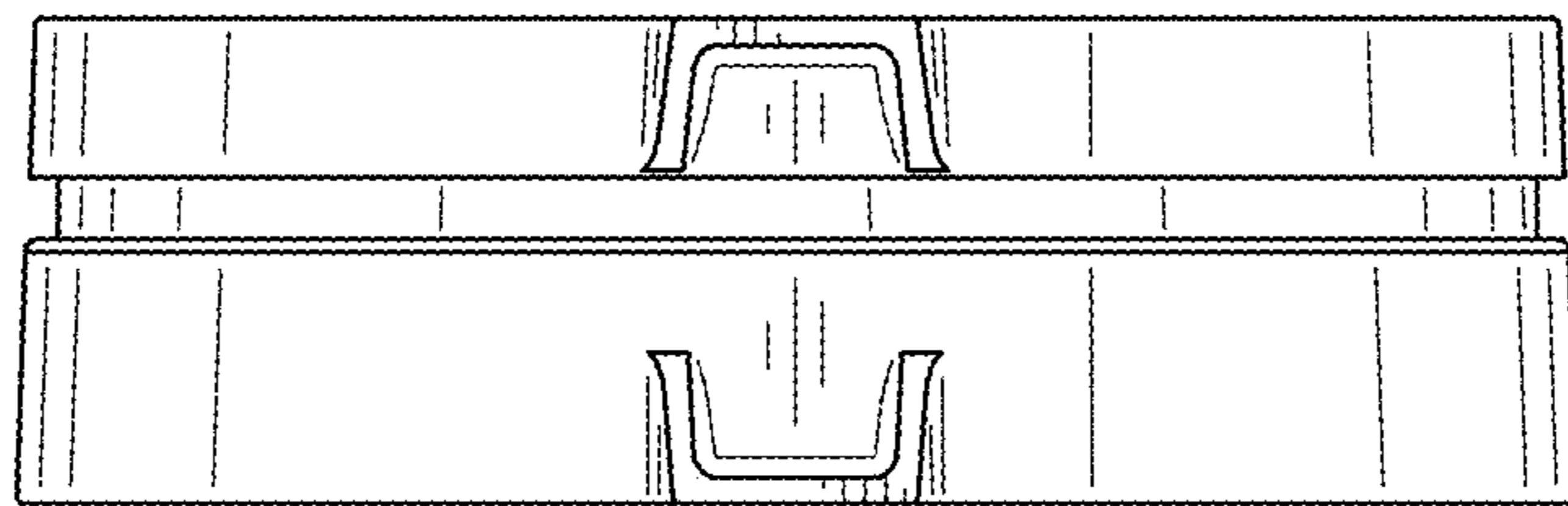


FIG. 11

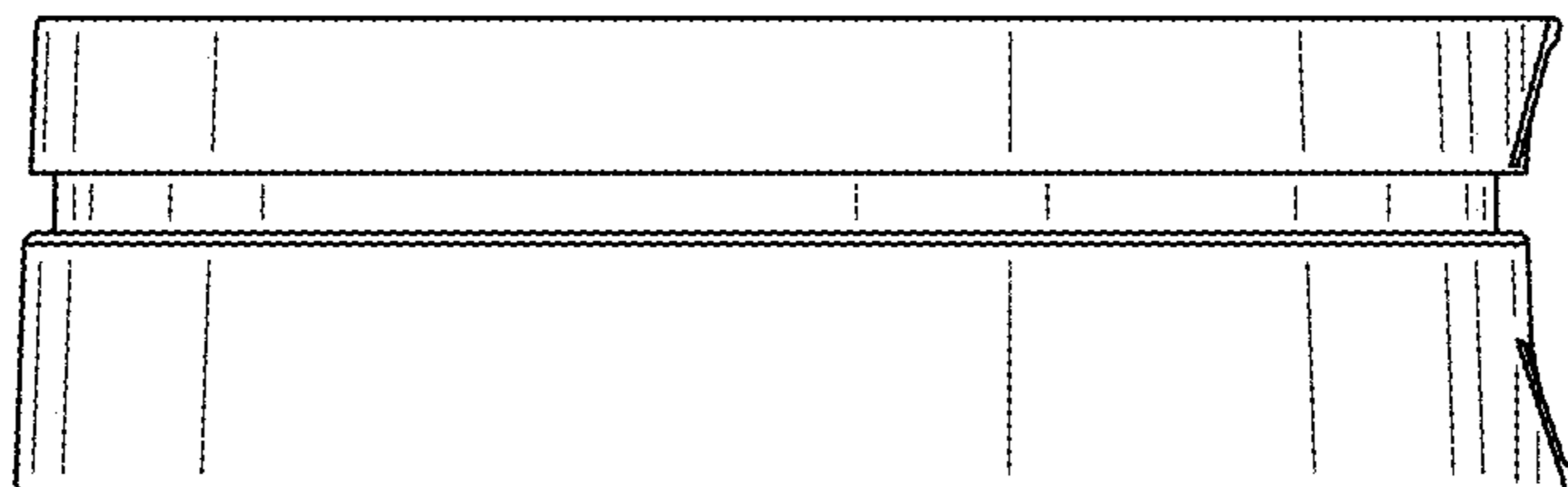


FIG. 12

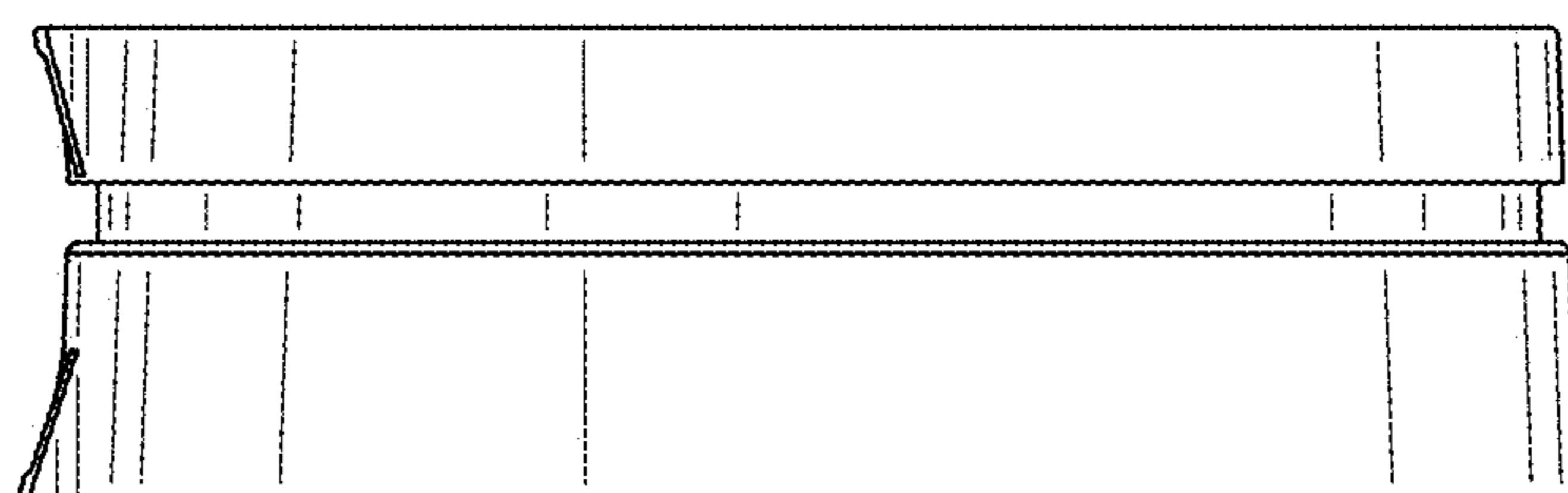


FIG. 13

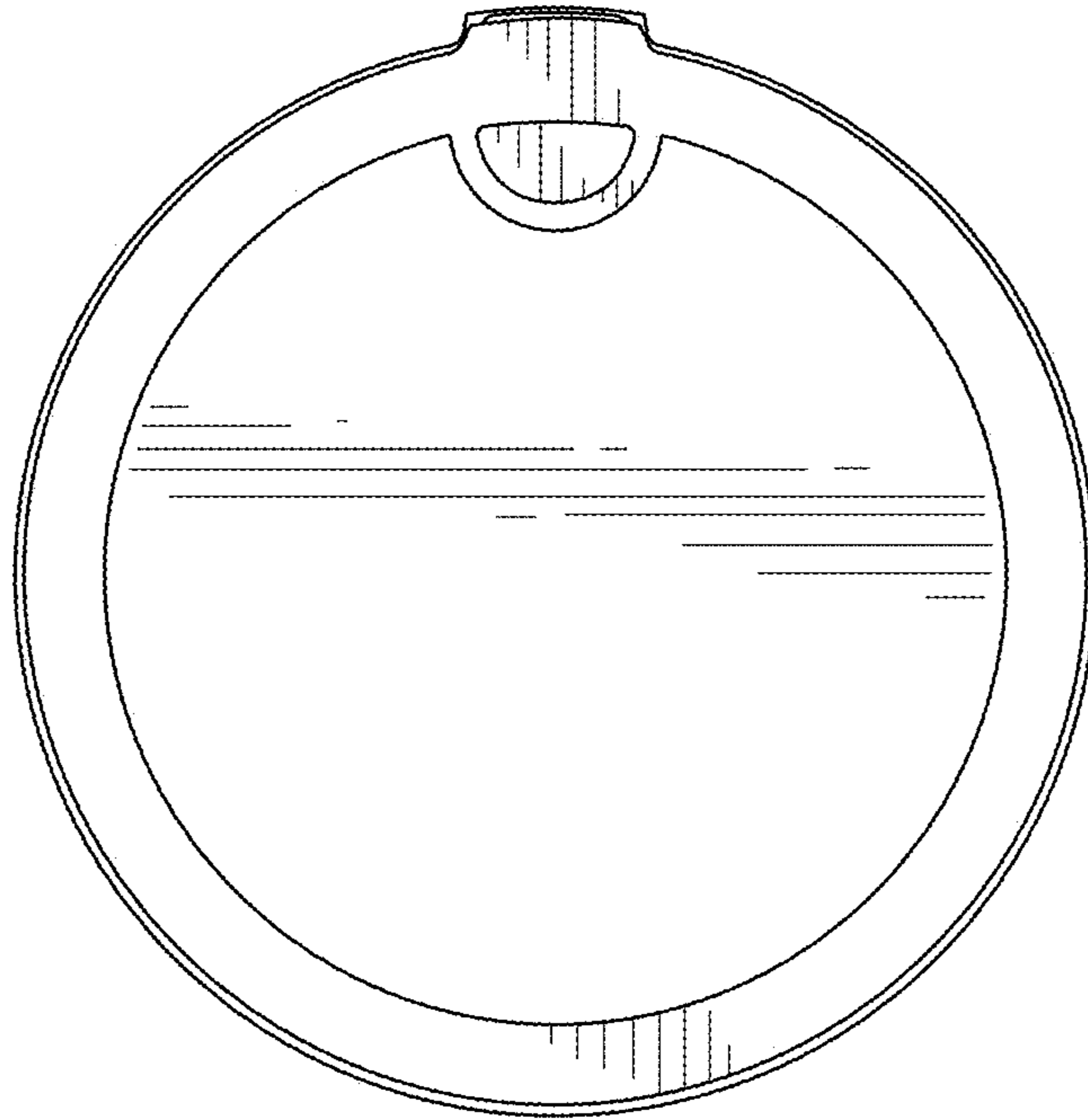


FIG. 14

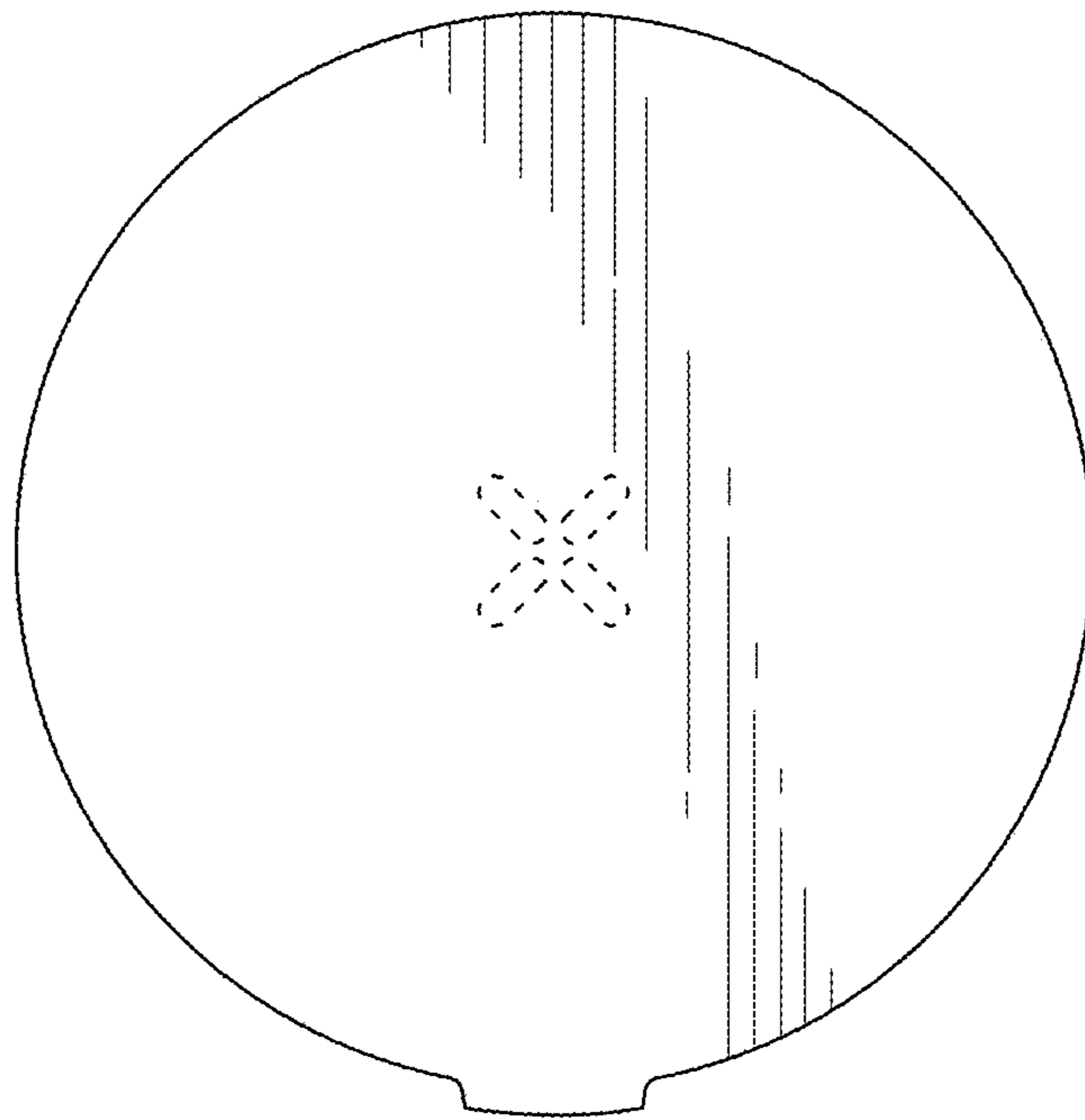


FIG. 15

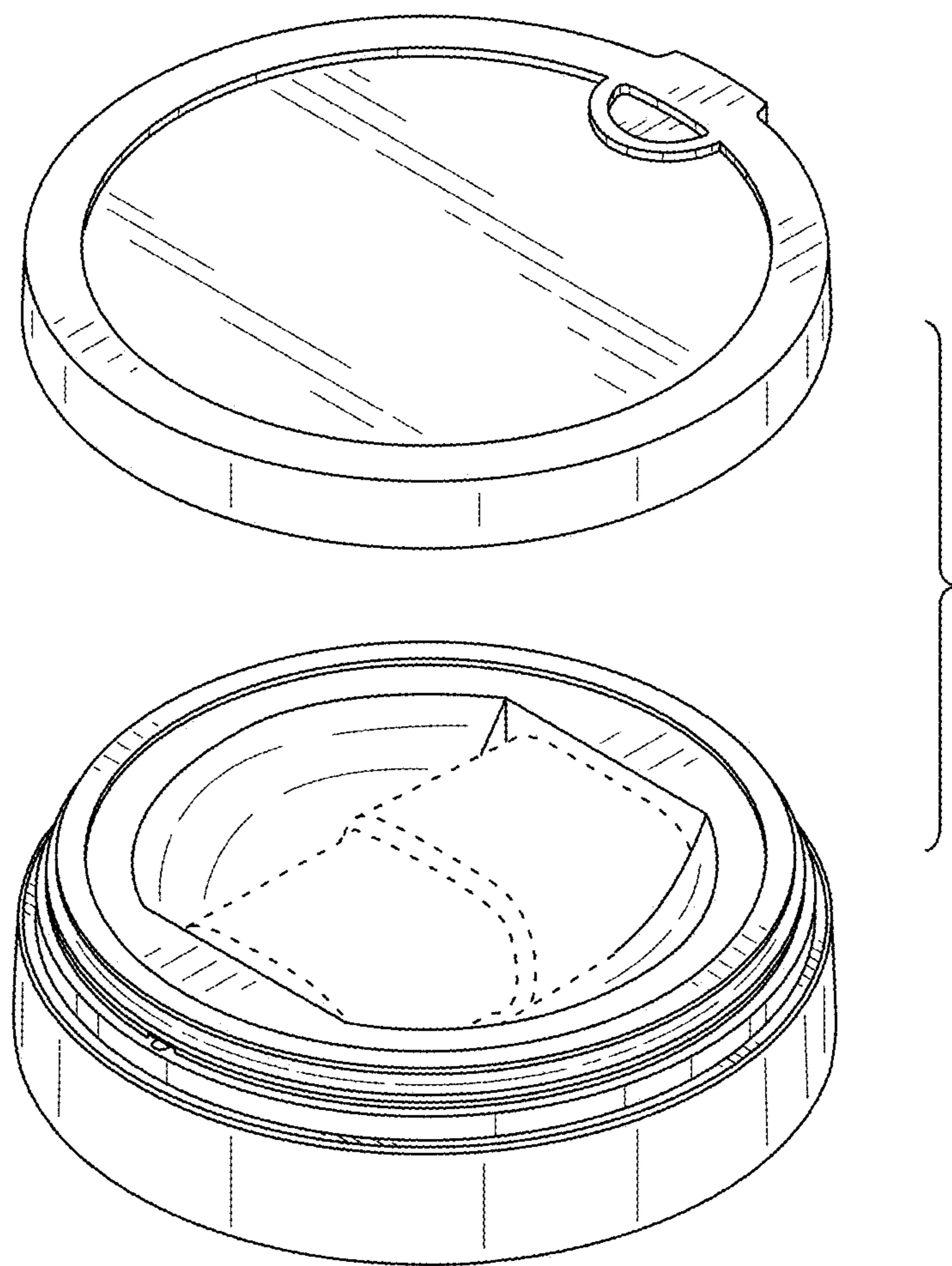


FIG. 16