



US00D923239S

(12) **United States Design Patent** (10) **Patent No.:** **US D923,239 S**
Palm (45) **Date of Patent:** **** Jun. 22, 2021**

(54) **LIGHT DIFFUSER**
(71) Applicant: **Ledil Oy**, Salo (FI)
(72) Inventor: **Joni Palm**, Salo (FI)
(73) Assignee: **LEDIL OY**, Salo (FI)
(**) Term: **15 Years**
(21) Appl. No.: **29/733,037**
(22) Filed: **Apr. 29, 2020**

(30) **Foreign Application Priority Data**
Nov. 1, 2019 (EM) 007153119-0004
(51) **LOC (13) Cl.** **26-05**
(52) **U.S. Cl.**
USPC **D26/118**
(58) **Field of Classification Search**
USPC D26/24, 105, 107, 108, 112, 113, 118,
D26/119, 122, 123, 133, 134; D16/237,
D16/241, 250
CPC . F21V 3/00; F21V 3/049; F21V 3/061; F21V
3/062; F21V 3/0615; F21V 3/0625; F21V
7/00; F21V 7/005; F21V 7/041; F21V
7/043; F21V 7/0008; F21V 7/091; F21V
11/00; F21V 11/02; F21V 1/00; F21V
1/04; F21V 1/06; F21V 5/00; F21V 5/007
See application file for complete search history.

(56) **References Cited**
U.S. PATENT DOCUMENTS
D569,542 S * 5/2008 Toda D26/122
D569,543 S * 5/2008 Toda D26/122
D629,558 S * 12/2010 Little, Jr. D26/120
D629,960 S * 12/2010 Little, Jr. D26/120
D629,961 S * 12/2010 Little, Jr. D26/120

D631,597 S * 1/2011 Kong D26/113
D646,015 S * 9/2011 Chiang D26/122
D677,421 S * 3/2013 Lin D26/120
D712,087 S * 8/2014 Kjaergaard Toft D26/123
D822,887 S * 7/2018 Laakkio D26/122
D853,018 S * 7/2019 Chen D26/120
D869,064 S * 12/2019 Chen D26/120
D877,968 S * 3/2020 Santoro D26/124
D882,157 S * 4/2020 Laakkio D26/120
D882,158 S * 4/2020 Laakkio D26/120
D882,159 S * 4/2020 Laakkio D26/120
D887,626 S * 6/2020 Zou D26/120
2017/0370553 A1* 12/2017 Demuyneck F21V 7/0091
2018/0046064 A1* 2/2018 Fong G03B 17/12
2018/0266652 A1* 9/2018 Dedick F21V 13/12

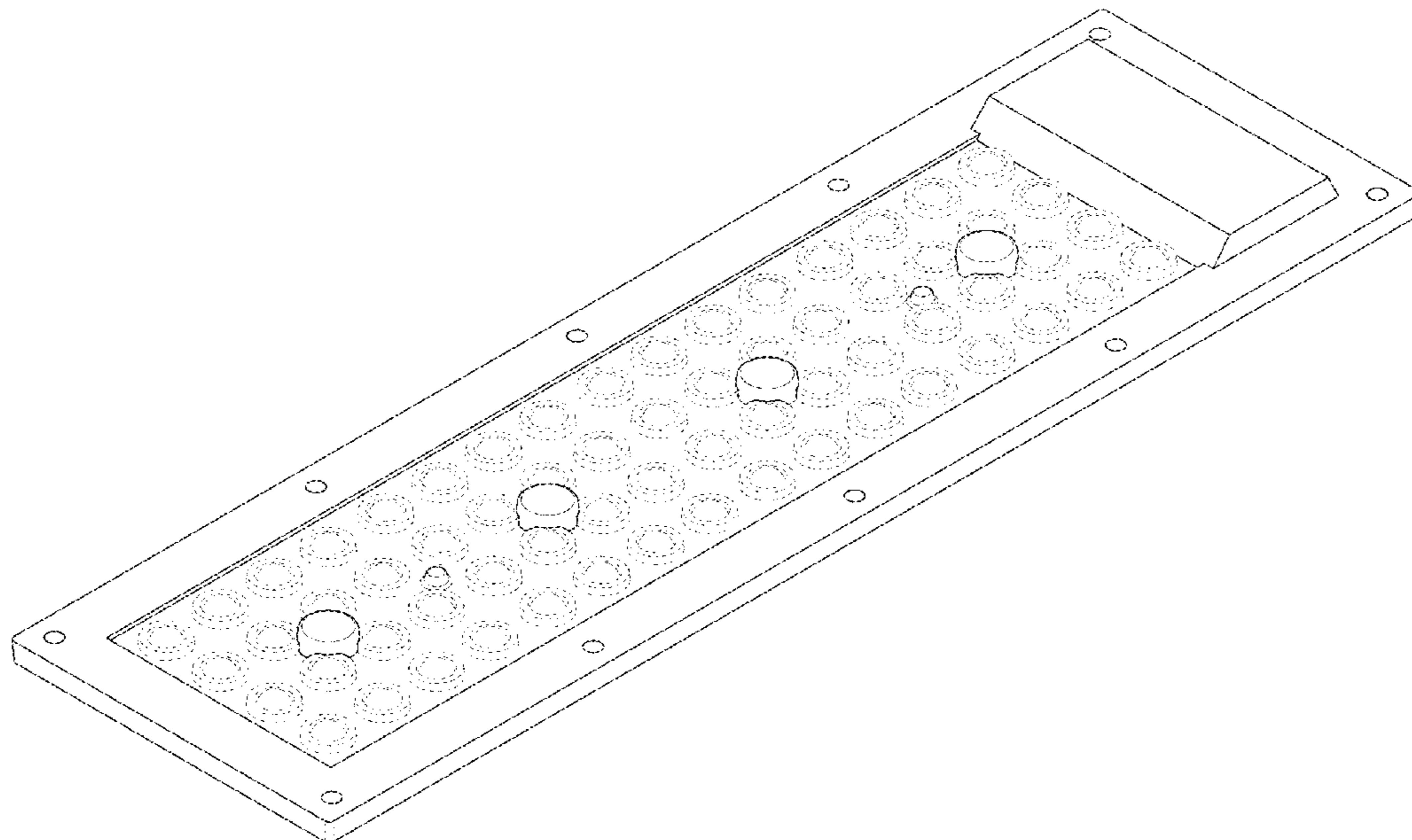
* cited by examiner

Primary Examiner — Wan Laymon
Assistant Examiner — Clint A Samuel
(74) *Attorney, Agent, or Firm* — Nixon & Vanderhye

(57) **CLAIM**
The ornamental design for a light diffuser, as shown and described.

DESCRIPTION
FIG. 1 is a front, left side, and top perspective view of a light diffuser showing the new design;
FIG. 2 is a rear, left side, and bottom perspective view thereof;
FIG. 3 is a top plan view thereof;
FIG. 4 is a bottom plan view thereof;
FIG. 5 is a left side elevation view;
FIG. 6 is an enlarged front elevation view thereof;
FIG. 7 is an enlarged rear elevation view thereof; and,
FIG. 8 is a right side elevation view thereof.
The broken lines shown in the drawings illustrate portions of the light diffuser that form no part of the claimed design.

1 Claim, 8 Drawing Sheets



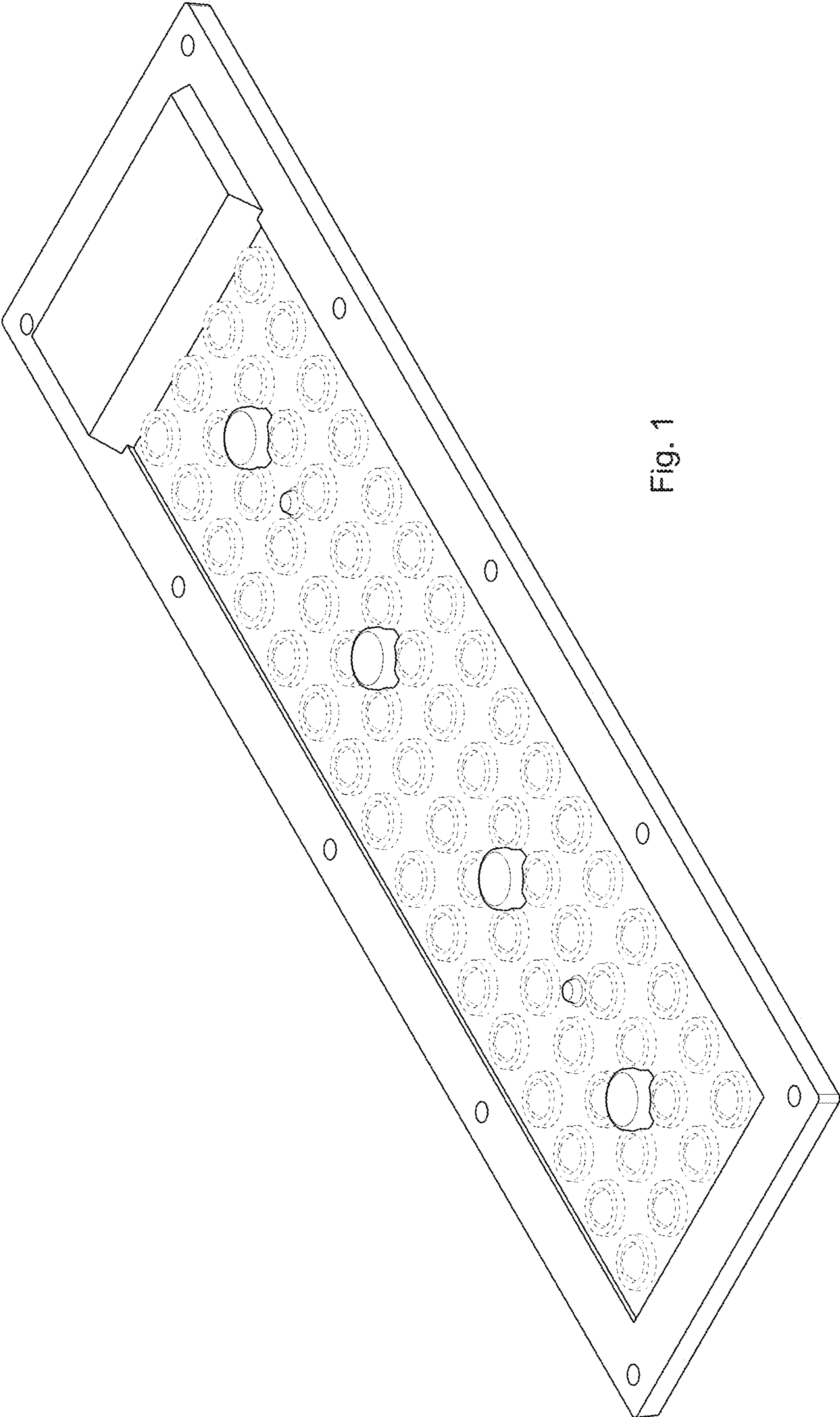


Fig. 1

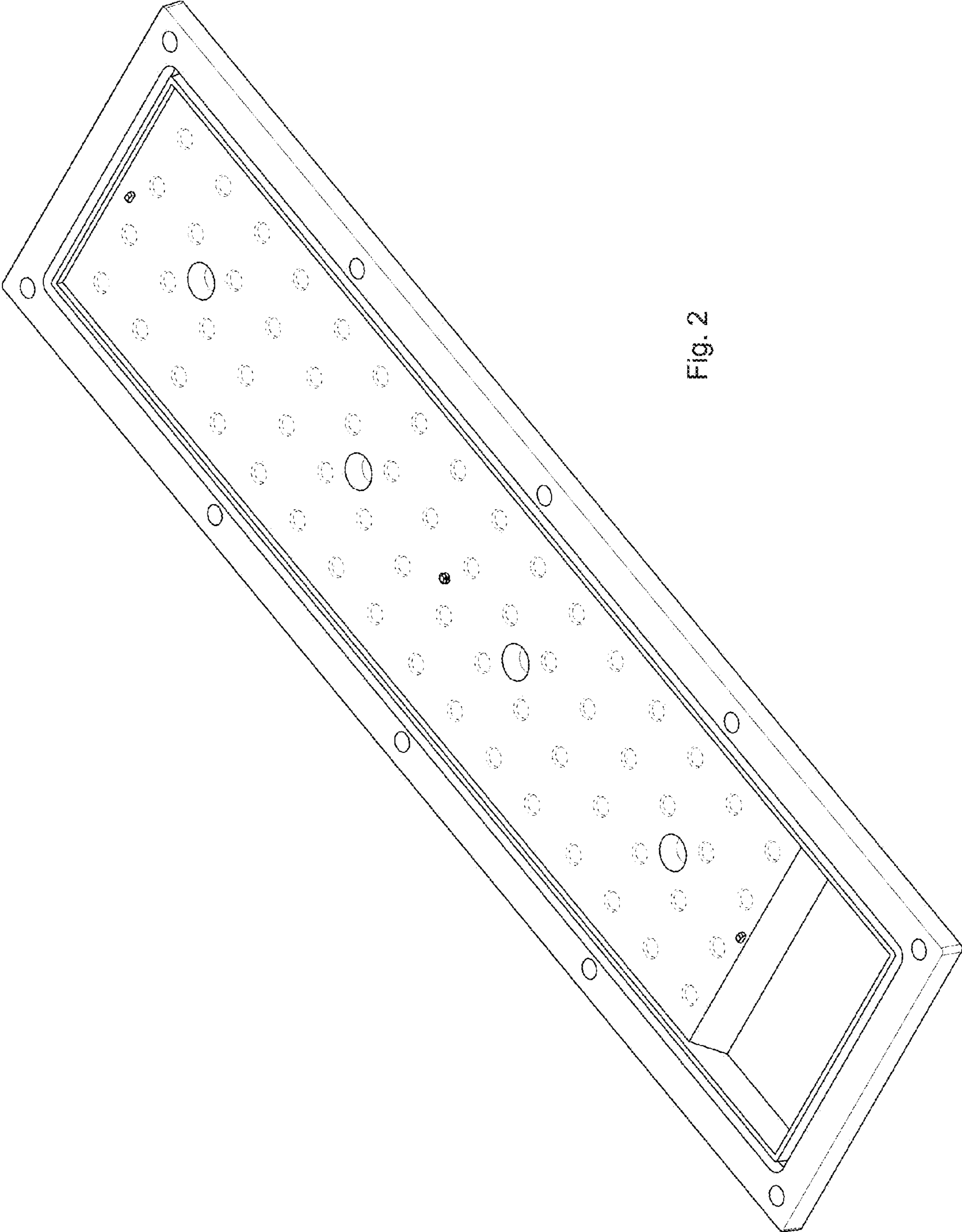


Fig. 2

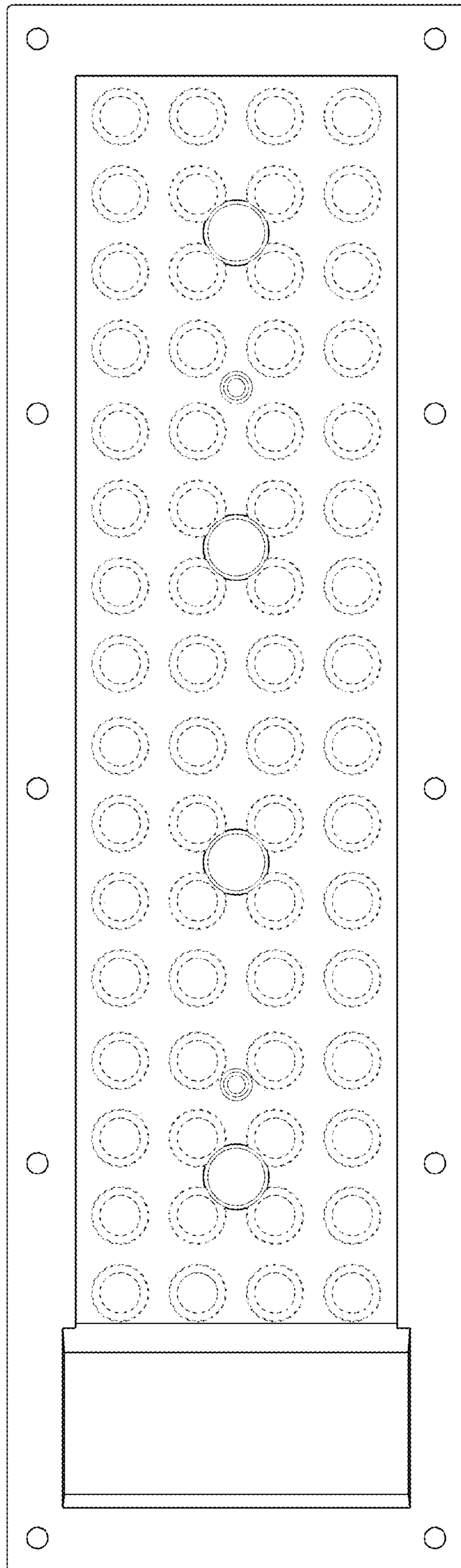


Fig. 3

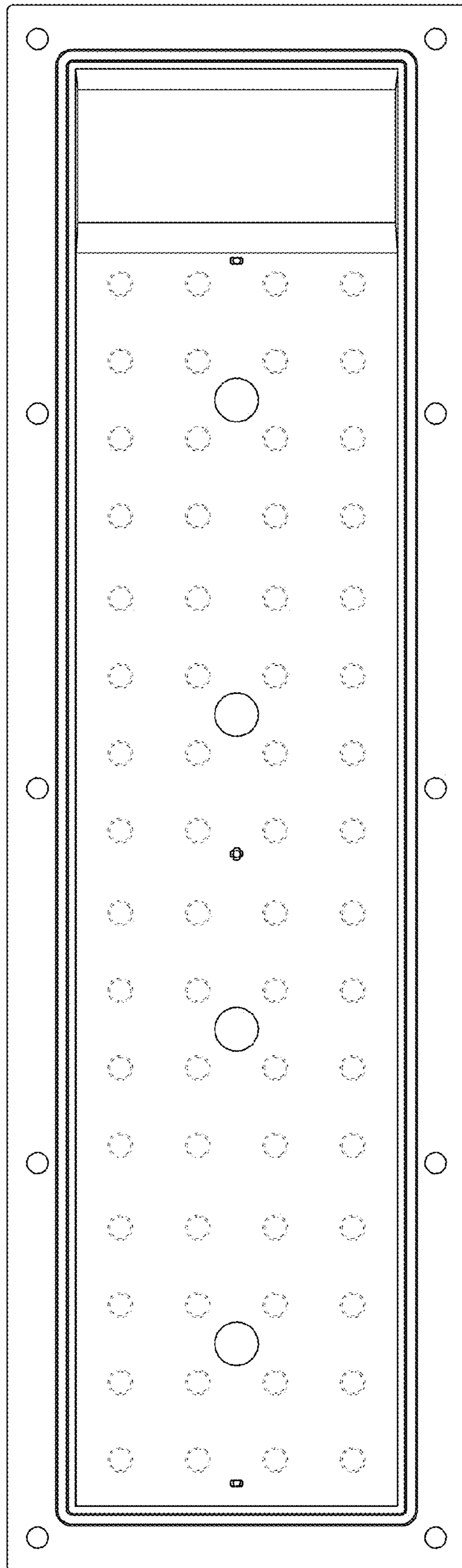


Fig. 4



Fig. 5

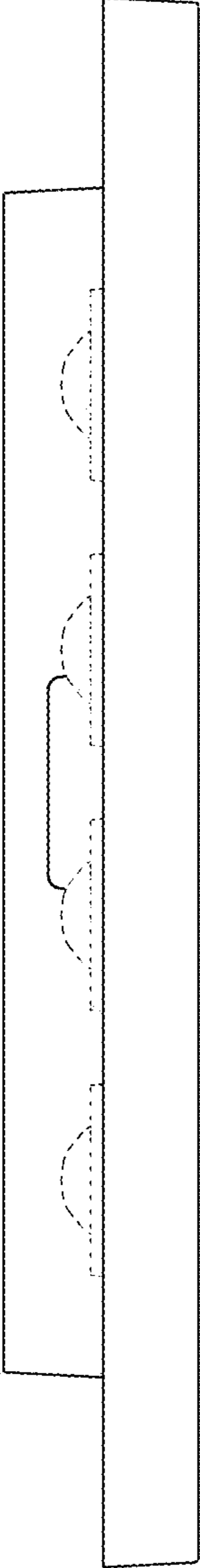


Fig. 6

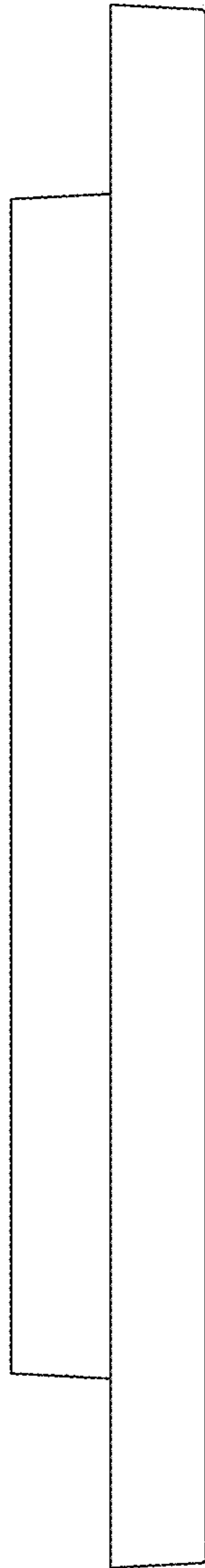


Fig. 7

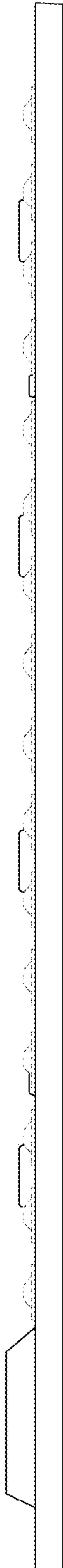


Fig. 8