



US00D923234S

(12) **United States Design Patent** (10) **Patent No.:** **US D923,234 S**
MacAllen et al. (45) **Date of Patent:** **** Jun. 22, 2021**

(54) **LIGHT FIXTURE**

- (71) Applicant: **molo design, ltd.**, Vancouver (CA)
- (72) Inventors: **Todd P. MacAllen**, Vancouver (CA);
Stephanie J. Forsythe, Vancouver (CA)
- (73) Assignee: **molo design, ltd.**, Vancouver (CA)
- (**) Term: **15 Years**
- (21) Appl. No.: **29/701,939**

(22) Filed: **Aug. 15, 2019**

(30) **Foreign Application Priority Data**

Feb. 15, 2019 (CN) 201930064993.2

(51) **LOC (13) Cl.** **26-03**

(52) **U.S. Cl.**
USPC **D26/86; D26/90**

(58) **Field of Classification Search**
USPC D26/72, 76, 80-86, 88-91
CPC F21S 8/03; F21S 8/04; F21S 8/043; F21S
8/046; F21S 8/06; F21S 8/061; F21S
8/063; F21S 8/065

See application file for complete search history.

(56) **References Cited**

U.S. PATENT DOCUMENTS

D97,213 S	*	10/1935	Stone	D26/83
D106,992 S	*	11/1937	Schroeder	D26/76
D124,617 S	*	1/1941	Strassburger et al.	D26/76
D125,751 S	*	3/1941	Biller	D26/76
D127,397 S	*	5/1941	Johnston	D26/76
D141,068 S	*	5/1945	Maurette	D26/76
D236,999 S	*	9/1975	Tongson	D26/134
D286,445 S	*	10/1986	Sink	D26/86
D455,516 S	*	4/2002	Casciani	D26/76

(Continued)

OTHER PUBLICATIONS

Light Fixtures by molo design posted to Facebook on Jan. 22, 2018.
(Year: 2018).*

(Continued)

Primary Examiner — Clare E Heflin

(74) *Attorney, Agent, or Firm* — Banner & Witcoff, Ltd.

(57) **CLAIM**

The ornamental design for a light fixture, as shown and described.

DESCRIPTION

FIG. 1 is a front perspective view of a light fixture showing our new design;

FIG. 2 is a front view thereof;

FIG. 3 is a rear view thereof;

FIG. 4 is a right side view thereof;

FIG. 5 is a left side view thereof;

FIG. 6 is a top view thereof;

FIG. 7 is a bottom view thereof;

FIG. 8 is a front perspective view of the light fixture of FIGS. 1-7 shown in an illuminated state;

FIG. 9 is a front view thereof;

FIG. 10 is a rear view thereof;

FIG. 11 is a right side view thereof;

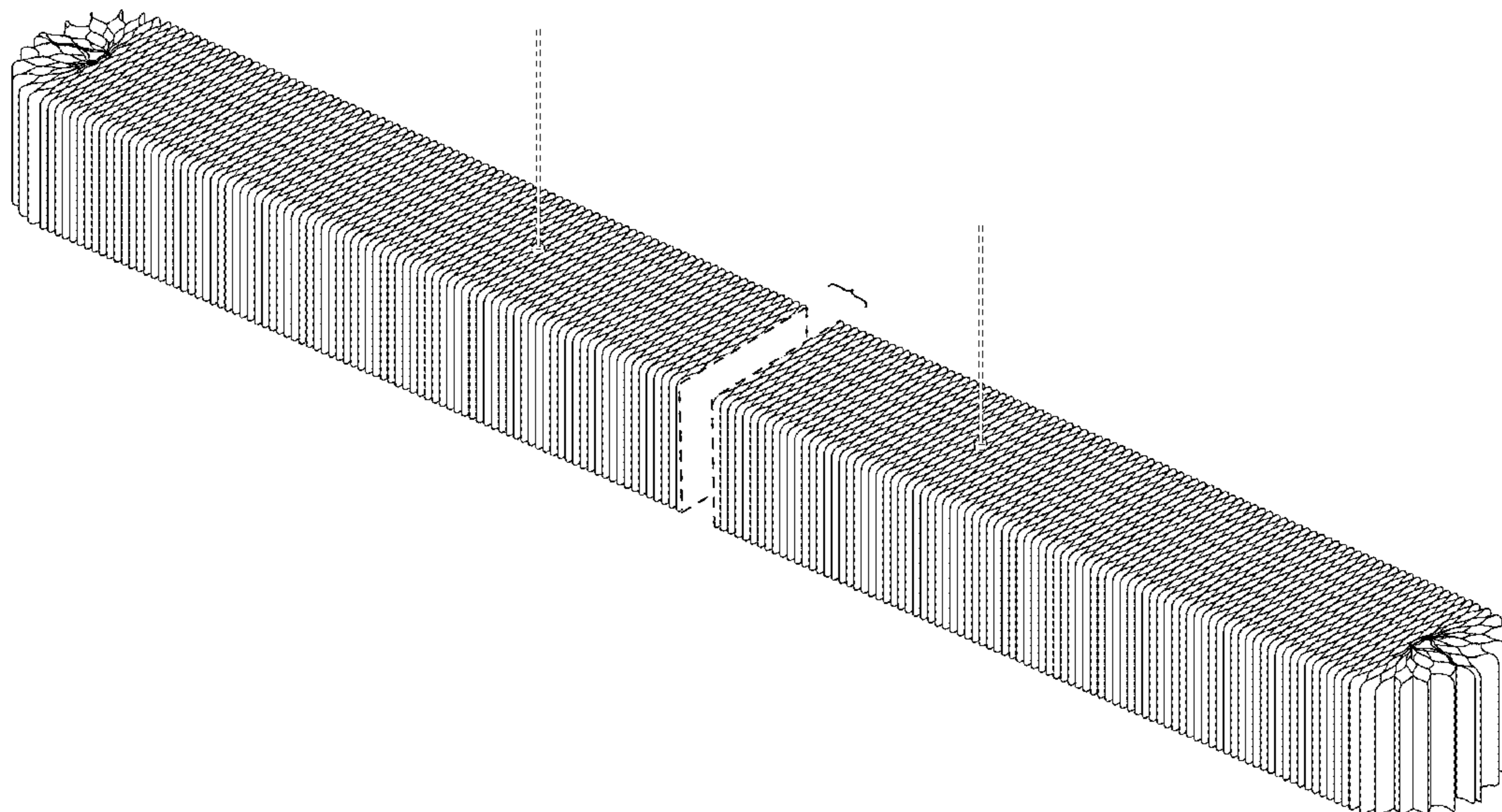
FIG. 12 is a left side view thereof;

FIG. 13 is a top view thereof; and,

FIG. 14 is a bottom view thereof.

The light fixture is shown with a symbolic break in its length. The appearance of any portion of the article between the break lines forms no part of the claimed design. The broken lines immediately adjacent to the claimed portions of the design represent the bounds of the claimed design and form no part thereof. The radiating lines emanating from the design in FIGS. 8-14 schematically represent illumination. The broken lines depicting the support wires form no part of the claimed design.

1 Claim, 14 Drawing Sheets



(56)

References Cited

U.S. PATENT DOCUMENTS

D536,820	S *	2/2007	Crosby	D26/84
D592,789	S *	5/2009	Sabernig	D26/83
D658,801	S *	5/2012	Yon	D26/72
D659,887	S *	5/2012	Holder	D26/90
D690,051	S *	9/2013	Sabernig	D26/86
D761,991	S *	7/2016	Clark	F21V 17/06
					D26/88
D764,095	S *	8/2016	Clark	D26/88
D784,597	S *	4/2017	Wilson	D26/88
2014/0078756	A1 *	3/2014	Tuttle	F21V 1/18
					362/382
2017/0248286	A1 *	8/2017	Wouters	F21S 8/00
2018/0142863	A1 *	5/2018	Cho	F21V 3/023
2021/0071853	A1 *	3/2021	Tiessen	F21V 21/104
2021/0090542	A1 *	3/2021	Elmvang	F21V 17/12

OTHER PUBLICATIONS

Flexible paper seating by molo design. Photo posted to Facebook on May 5, 2014. (Year: 2014).*

Honeycomb Modern Dome Pendant from shadesoflight.com, visited Feb. 9, 2021. (Year: 2021).*

Lalhaveli Antique Pendant Ceiling Light Vintage Paper Light Shade Hanging 16 × 14 Inches available at amazon.com Jan. 1, 2016. (Year: 2016).*

Accordion-Inspired Smart Lamp available at squaregull.com as early as Nov. 4, 2020. (Year: 2020).*

* cited by examiner

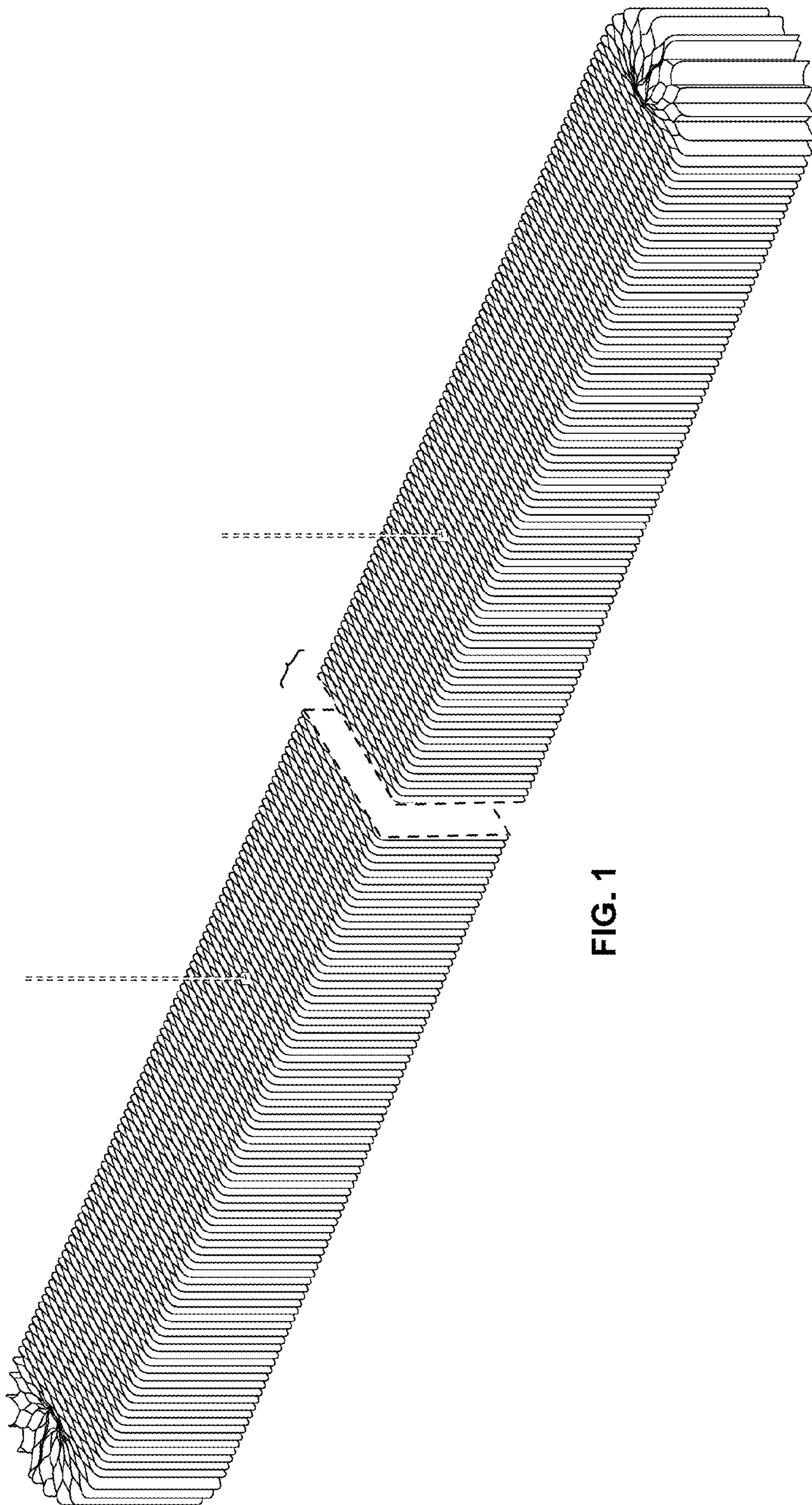


FIG. 1

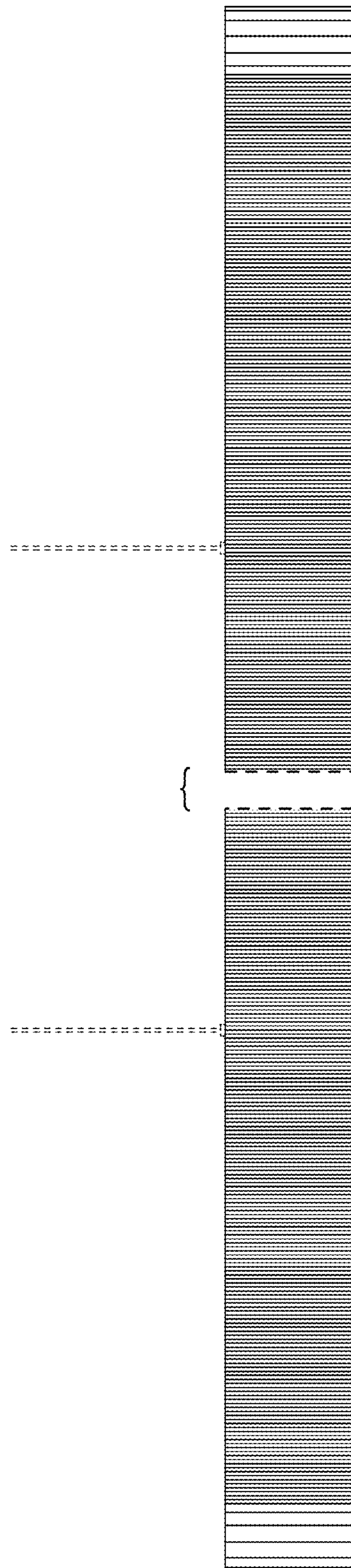


FIG. 2

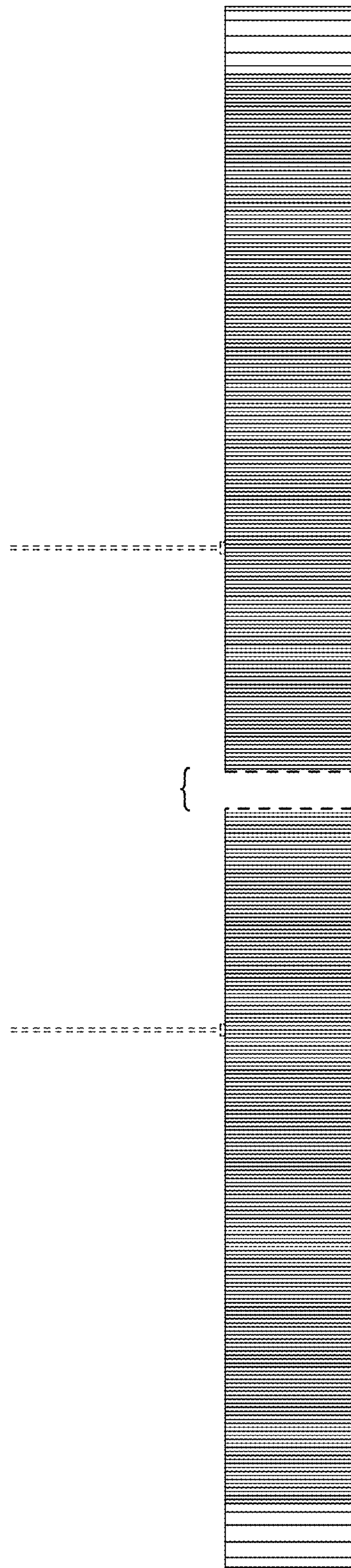


FIG. 3

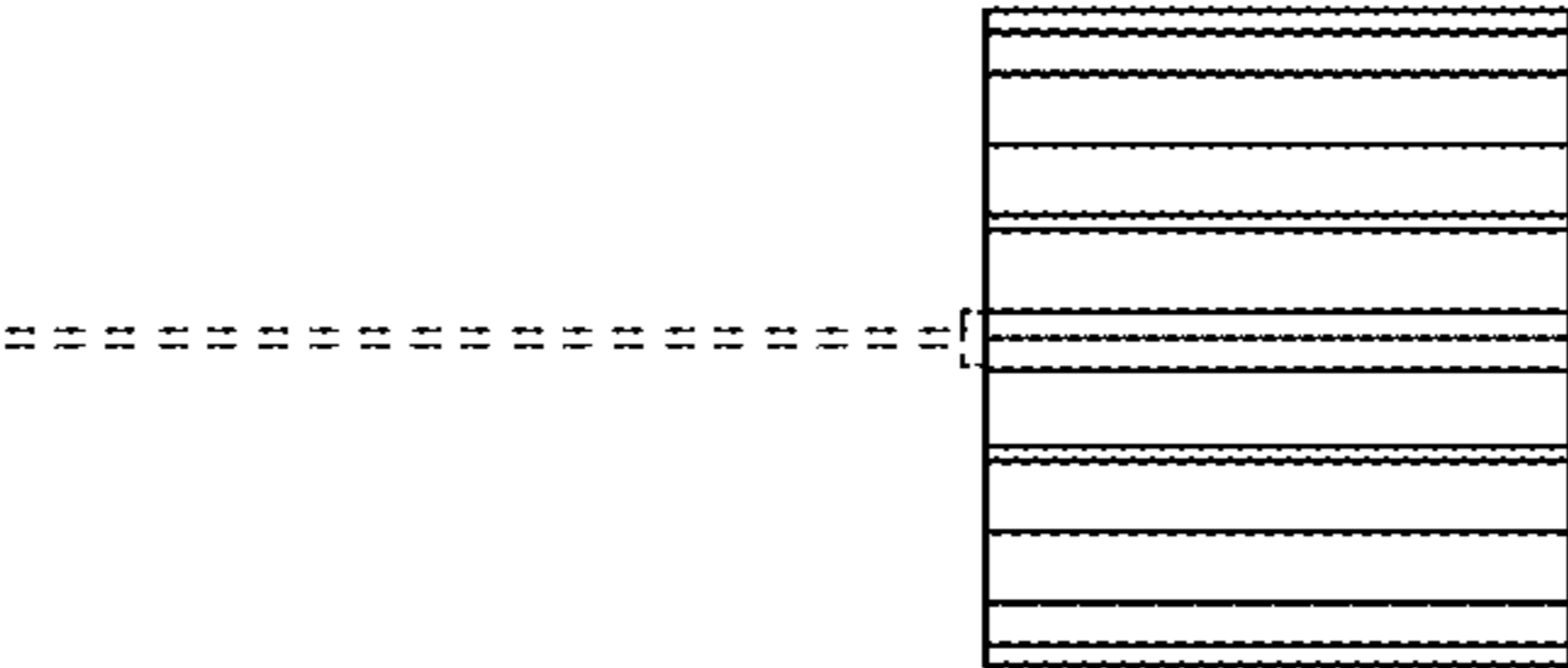


FIG. 4

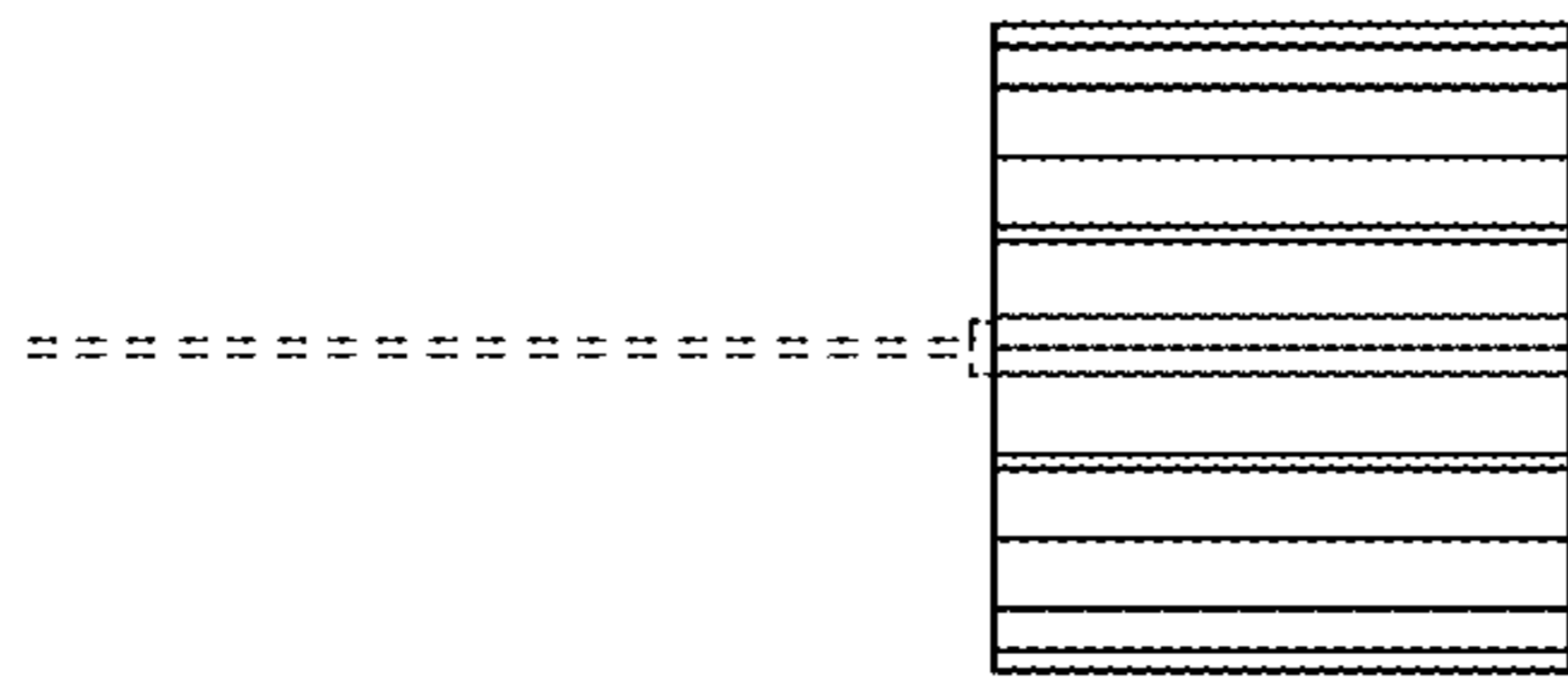


FIG. 5

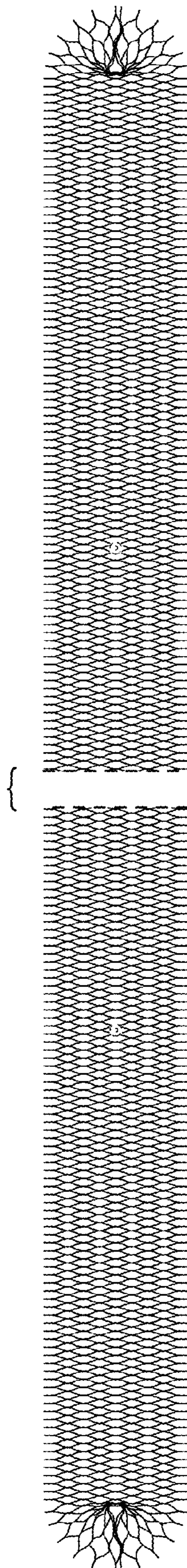


FIG. 6

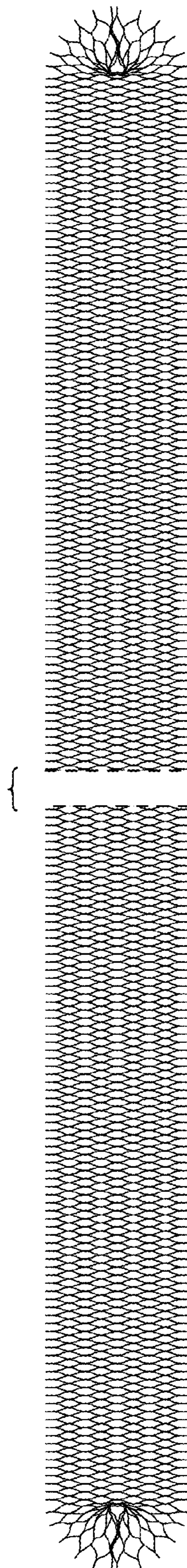


FIG. 7

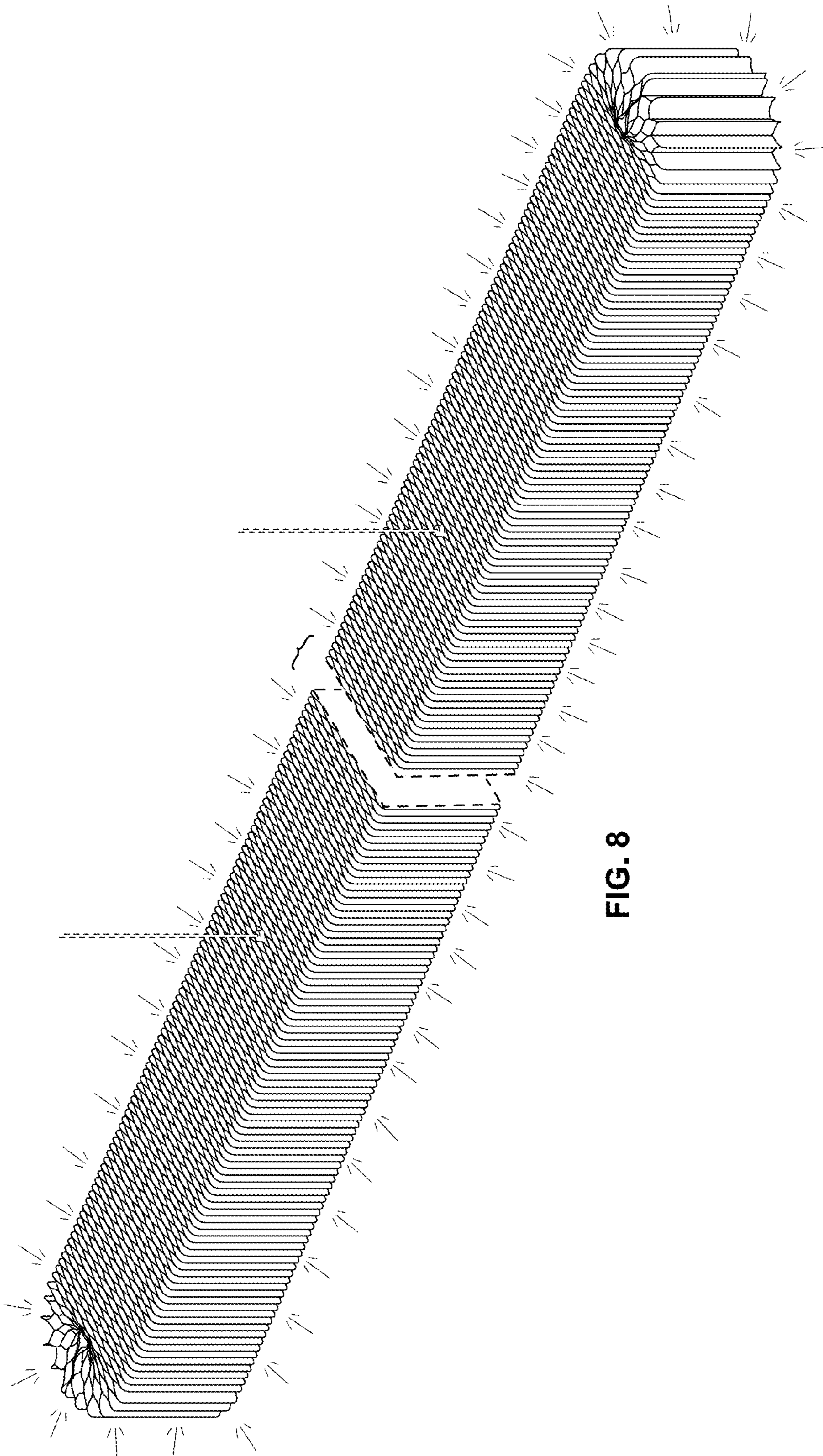


FIG. 8

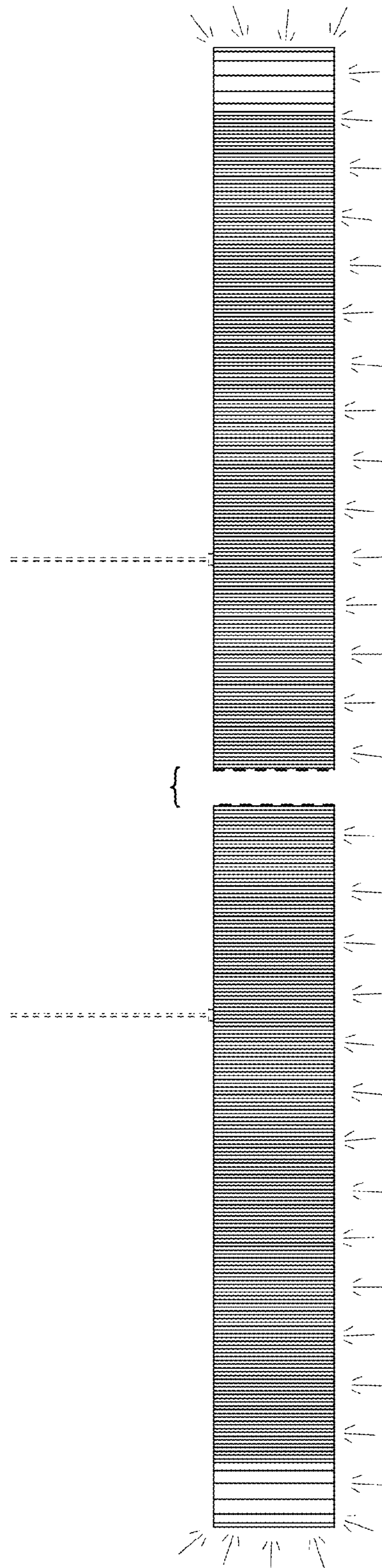


FIG. 9

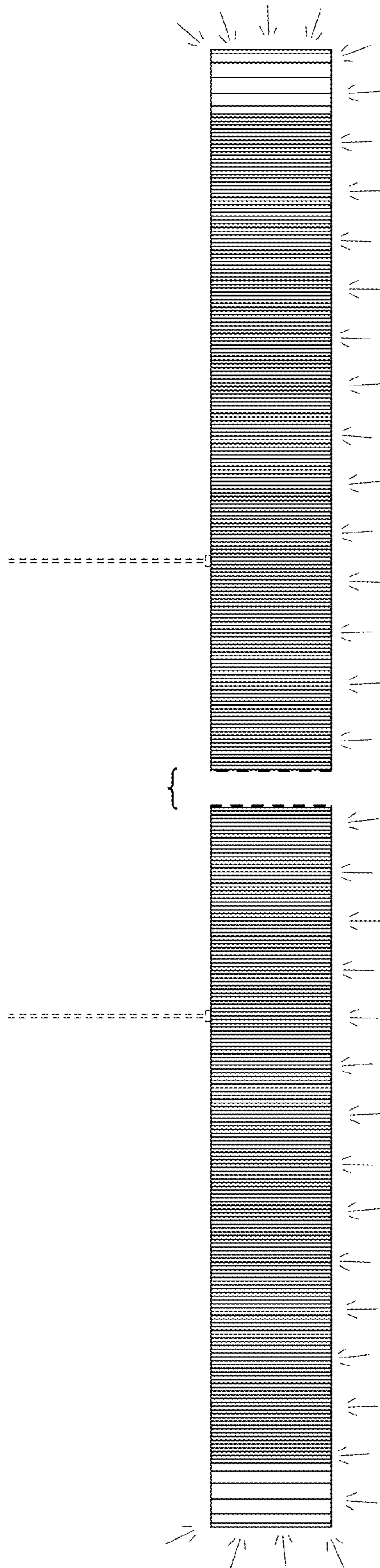


FIG. 10

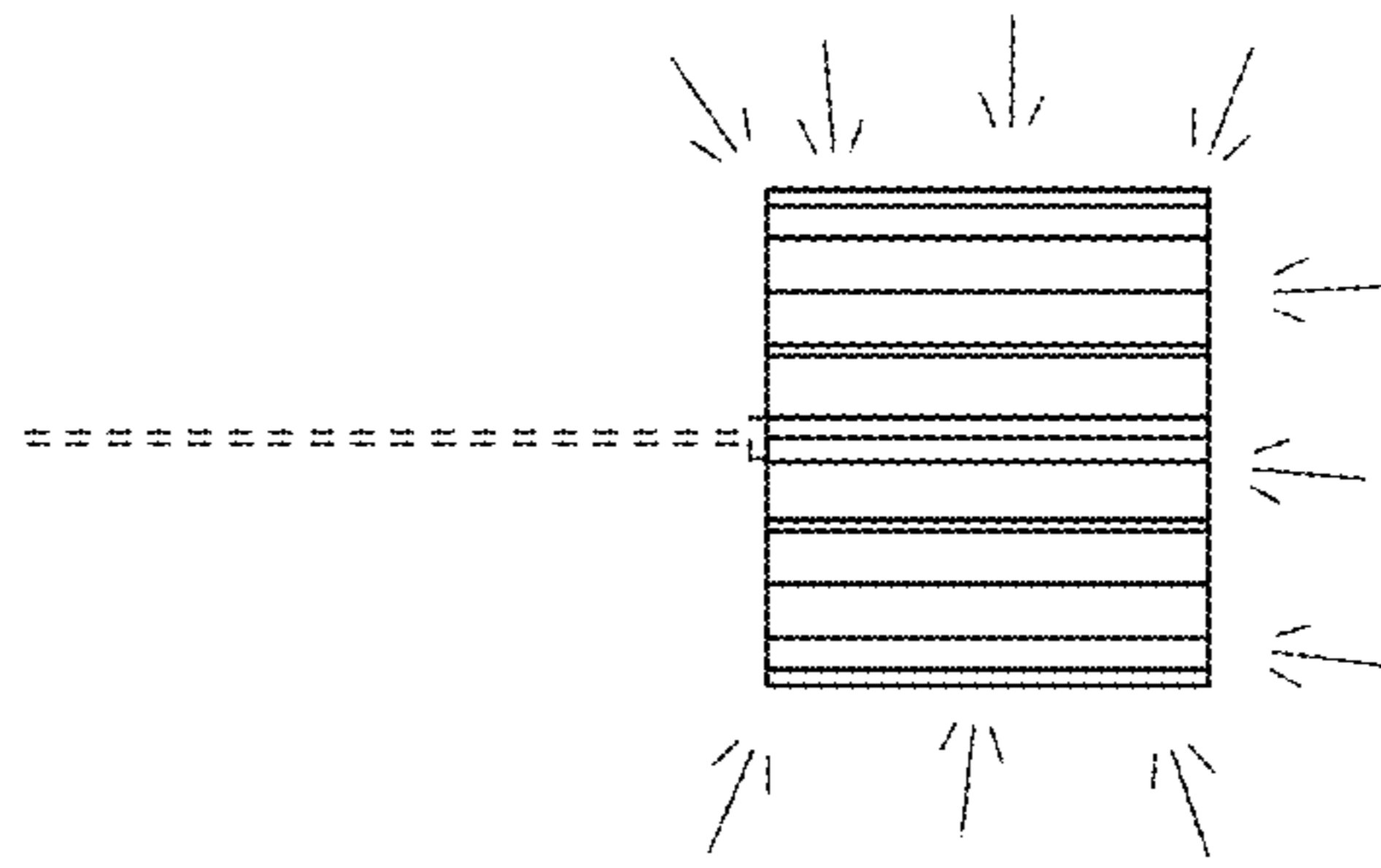


FIG. 11

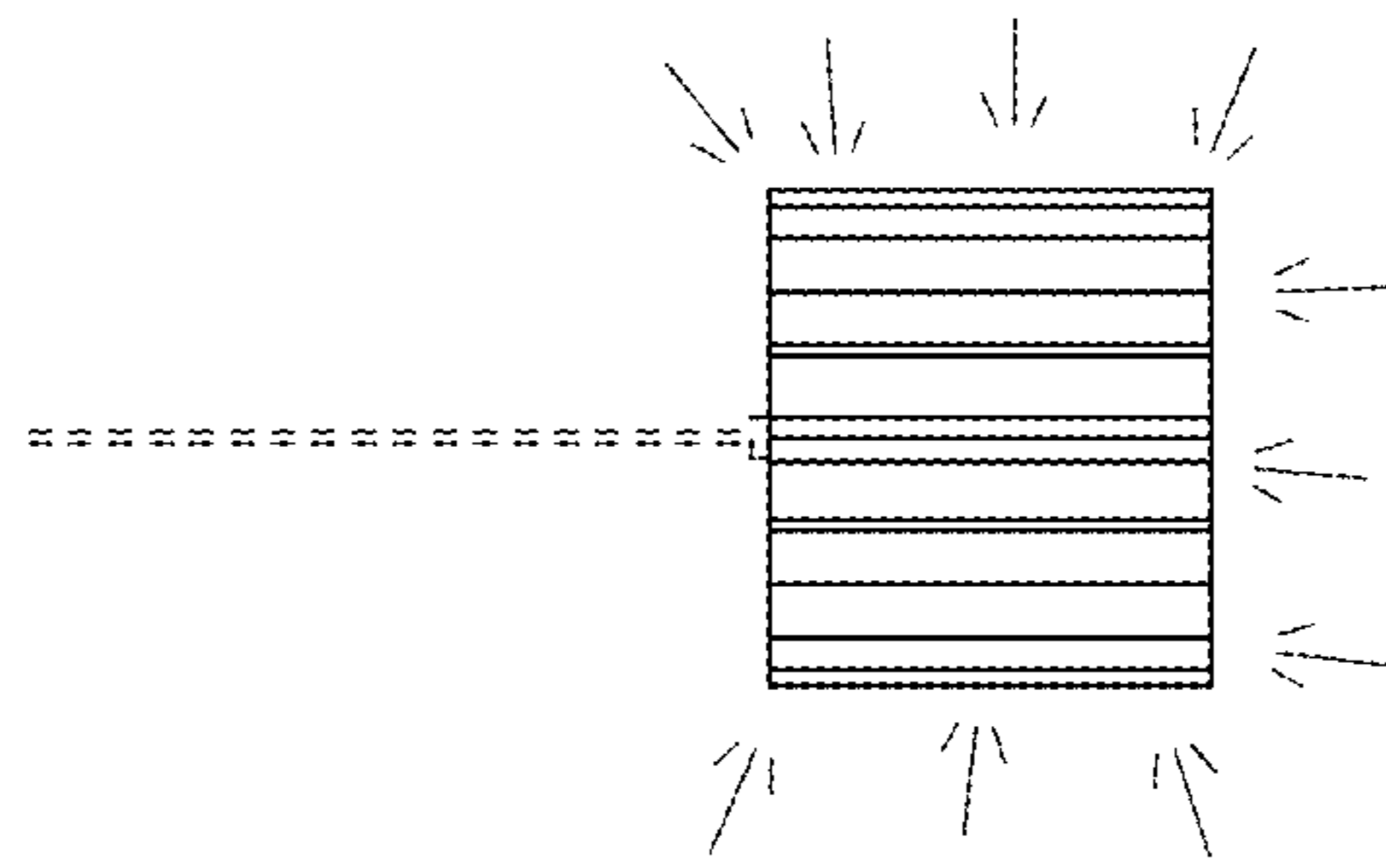


FIG. 12

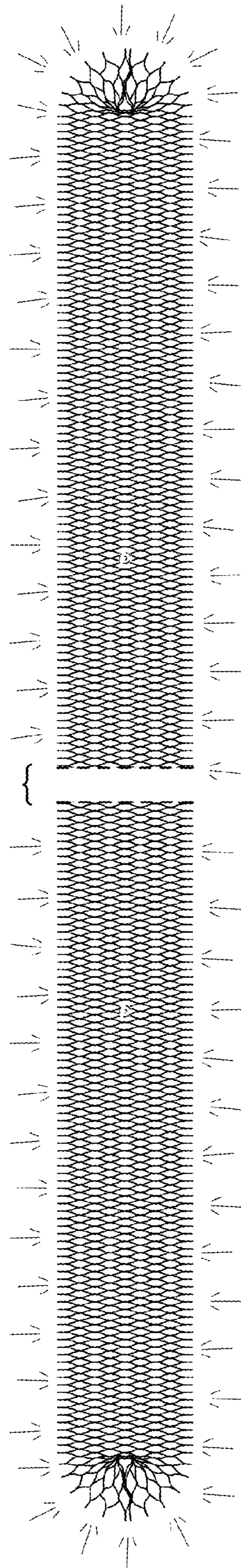


FIG. 13

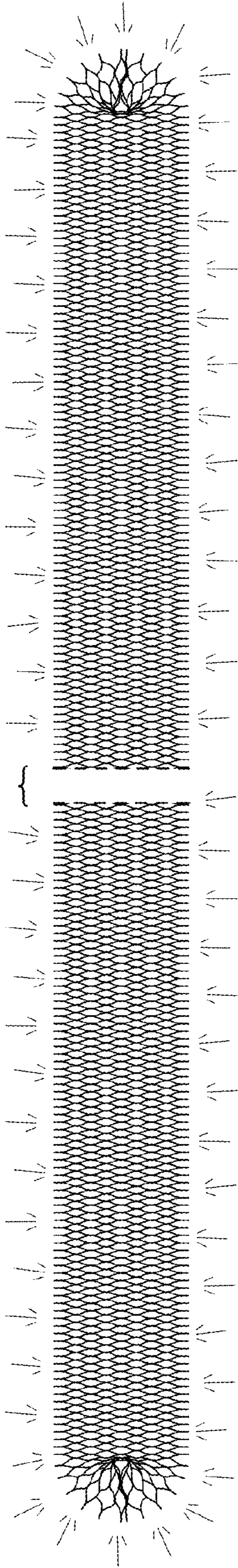


FIG. 14