

US00D923232S

(12) **United States Design Patent** (10) **Patent No.:** **US D923,232 S**  
**Hendifar et al.** (45) **Date of Patent:** **\*\* \*Jun. 22, 2021**

(54) **LIGHT FIXTURE**  
(71) Applicant: **APPARATUS, LLC**, New York, NY (US)  
(72) Inventors: **Gabriel Hendifar**, New York, NY (US); **Jeremy R. Anderson**, New York, NY (US)  
(73) Assignee: **APPARATUS LLC**, New York, NY (US)

D804,699 S 12/2017 Hendifar et al.  
D804,700 S 12/2017 Hendifar et al.  
D804,701 S \* 12/2017 Hendifar ..... D26/88  
D810,988 S \* 2/2018 Pan ..... D26/88  
D841,867 S \* 2/2019 Lee ..... D26/88  
D849,306 S \* 5/2019 Hendifar ..... D26/88  
D859,721 S \* 9/2019 Velez ..... D26/81  
D865,263 S \* 10/2019 Amato ..... D26/81  
D892,386 S \* 8/2020 Browning ..... D26/88  
2017/0198895 A1 \* 7/2017 Sonneman ..... F21S 8/065

(\* ) Notice: This patent is subject to a terminal disclaimer.  
(\*\* ) Term: **15 Years**

**OTHER PUBLICATIONS**  
Apparatus Tassel® 3 Staggered pendant spec sheet © 2016 from apparatusstudio.com. (Year: 2016).\*  
(Continued)

(21) Appl. No.: **29/705,843**  
(22) Filed: **Sep. 16, 2019**  
(51) **LOC (13) Cl.** ..... **26-03**  
(52) **U.S. Cl.**  
USPC ..... **D26/84; D26/90**  
(58) **Field of Classification Search**  
USPC ..... D26/72, 80-86, 88, 90  
CPC .... F21S 8/04; F21S 8/043; F21S 8/046; F21S 8/06; F21S 8/061; F21S 8/063; F21S 8/065; F21S 8/066; F21S 8/068  
See application file for complete search history.

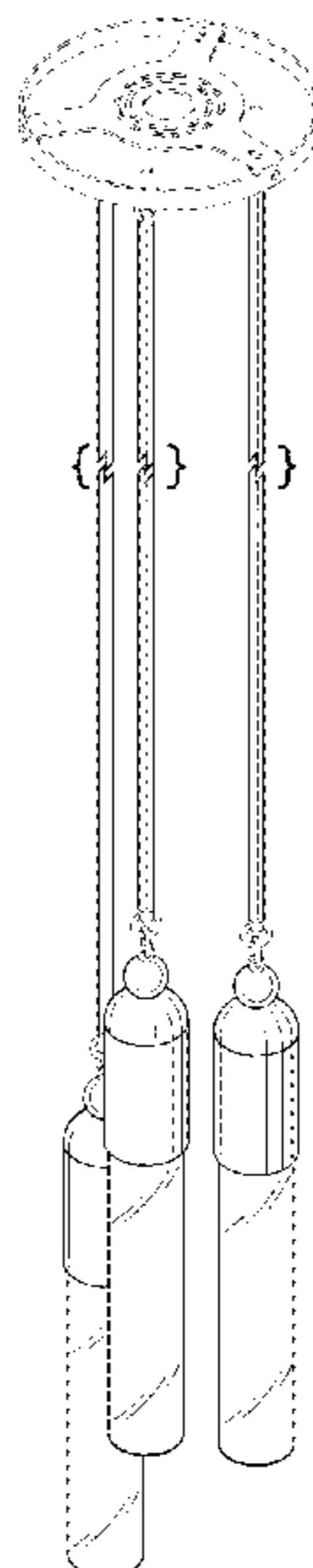
*Primary Examiner* — Clare E Heflin  
(74) *Attorney, Agent, or Firm* — Gottlieb, Rackman & Reisman, P.C.

(57) **CLAIM**  
The ornamental design for a light fixture, as shown and described.

(56) **References Cited**  
**U.S. PATENT DOCUMENTS**  
D80,313 S \* 1/1930 Hoch ..... D26/81  
D198,539 S \* 6/1964 Freed ..... D26/70  
3,212,713 A \* 10/1965 Chatten ..... B05B 17/08 239/17  
D208,002 S \* 6/1967 Eckert ..... D26/81  
D596,335 S \* 7/2009 Sabernig ..... D26/88  
D709,637 S \* 7/2014 Terzani ..... D26/83  
D725,306 S \* 3/2015 Salvagno ..... D26/84  
D796,720 S \* 9/2017 Bo ..... D26/72

**DESCRIPTION**  
FIG. 1 is a top perspective view showing our new design; FIG. 2 is a bottom perspective view thereof; FIG. 3 is a front elevational view thereof; FIG. 4 is a rear elevational view thereof; FIG. 5 is a left side elevational view thereof; FIG. 6 is a right side elevational view thereof; FIG. 7 is a top plan view thereof; and, FIG. 8 is a bottom plan view thereof.  
The break lines in FIGS. 1-6 are to indicate that the appearance of any portion of the light fixture between the break lines forms no part of the claimed design.  
The broken lines in FIGS. 1-7 illustrate portions of the light fixture that form no part of the claimed design.

**1 Claim, 7 Drawing Sheets**



(56)

**References Cited**

OTHER PUBLICATIONS

XiNBEi Lighting Pendant available at amazon.com Dec. 31, 2019.

(Year: 2019).\*

Woodbridge Lighting 16724CHRWL-LED Pendant, 3-Light available at amazon.com Jul. 17, 2019. (Year: 2019).\*

Apparatus LLC 2016 Catalog; Tassel ; apparatusstudio.com; New York, NY.

\* cited by examiner

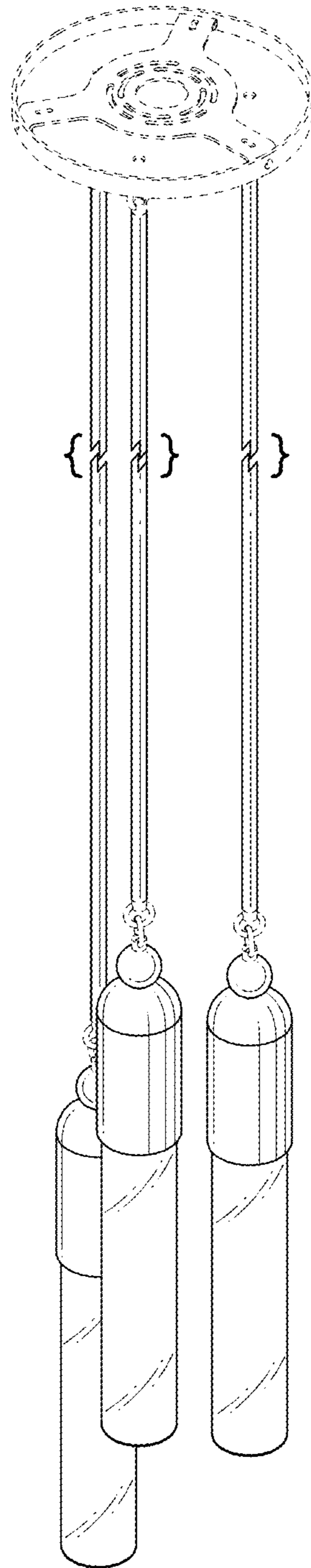


FIG. 1

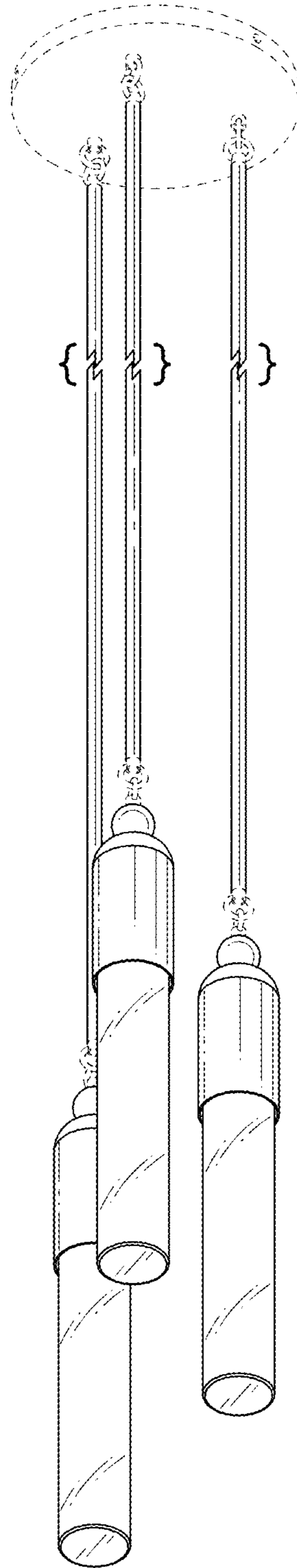


FIG. 2

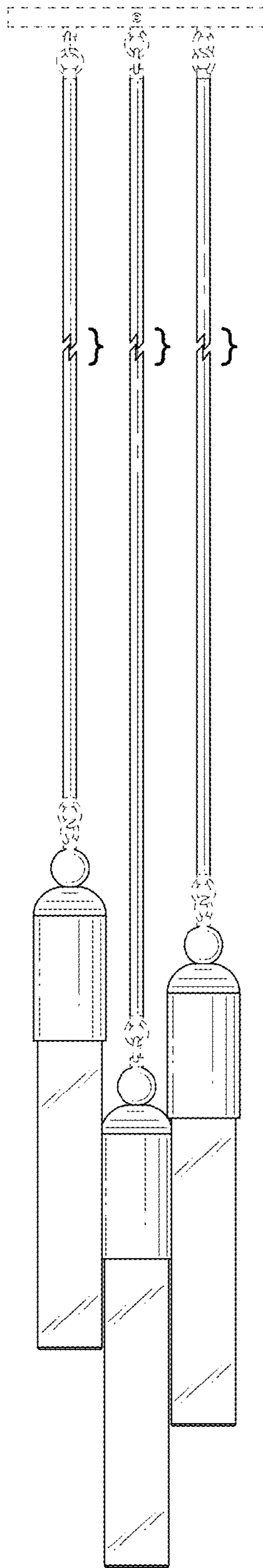


FIG. 3

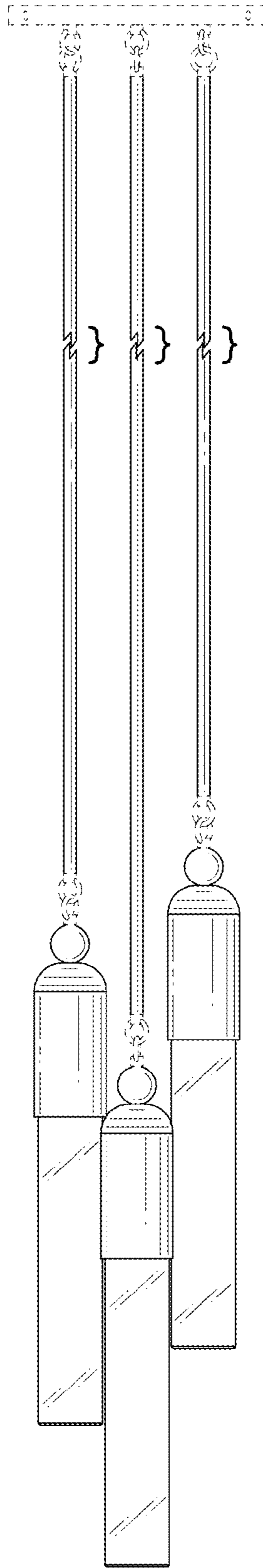


FIG.4

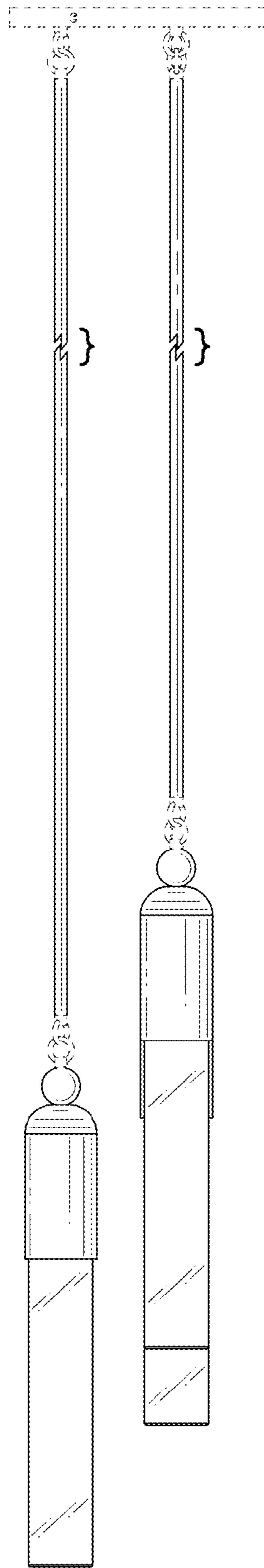


FIG. 5

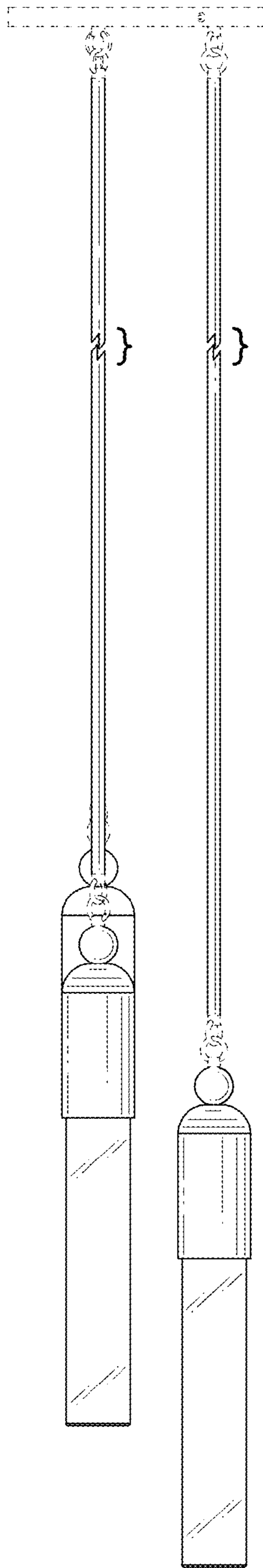


FIG. 6



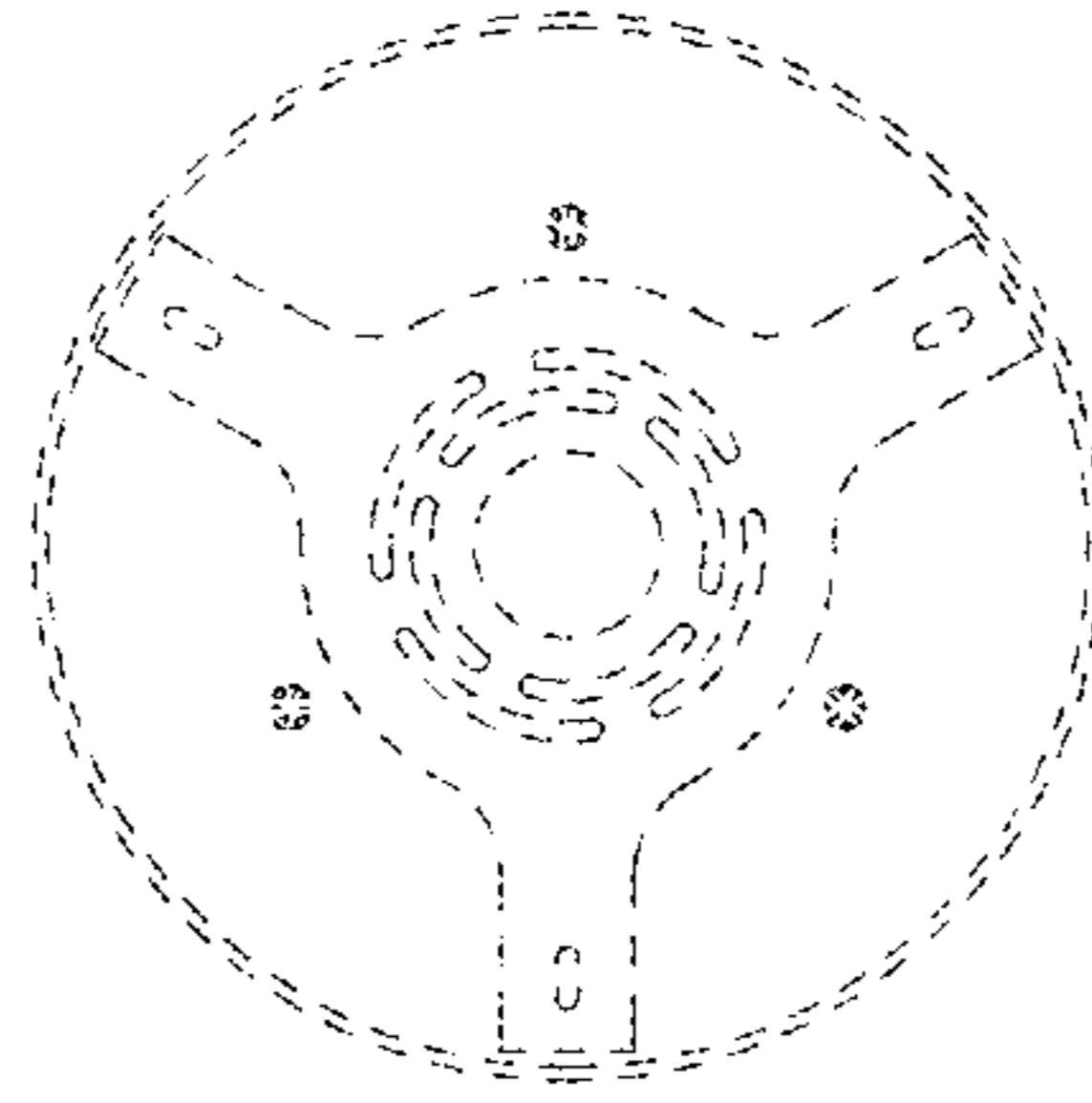


FIG. 7

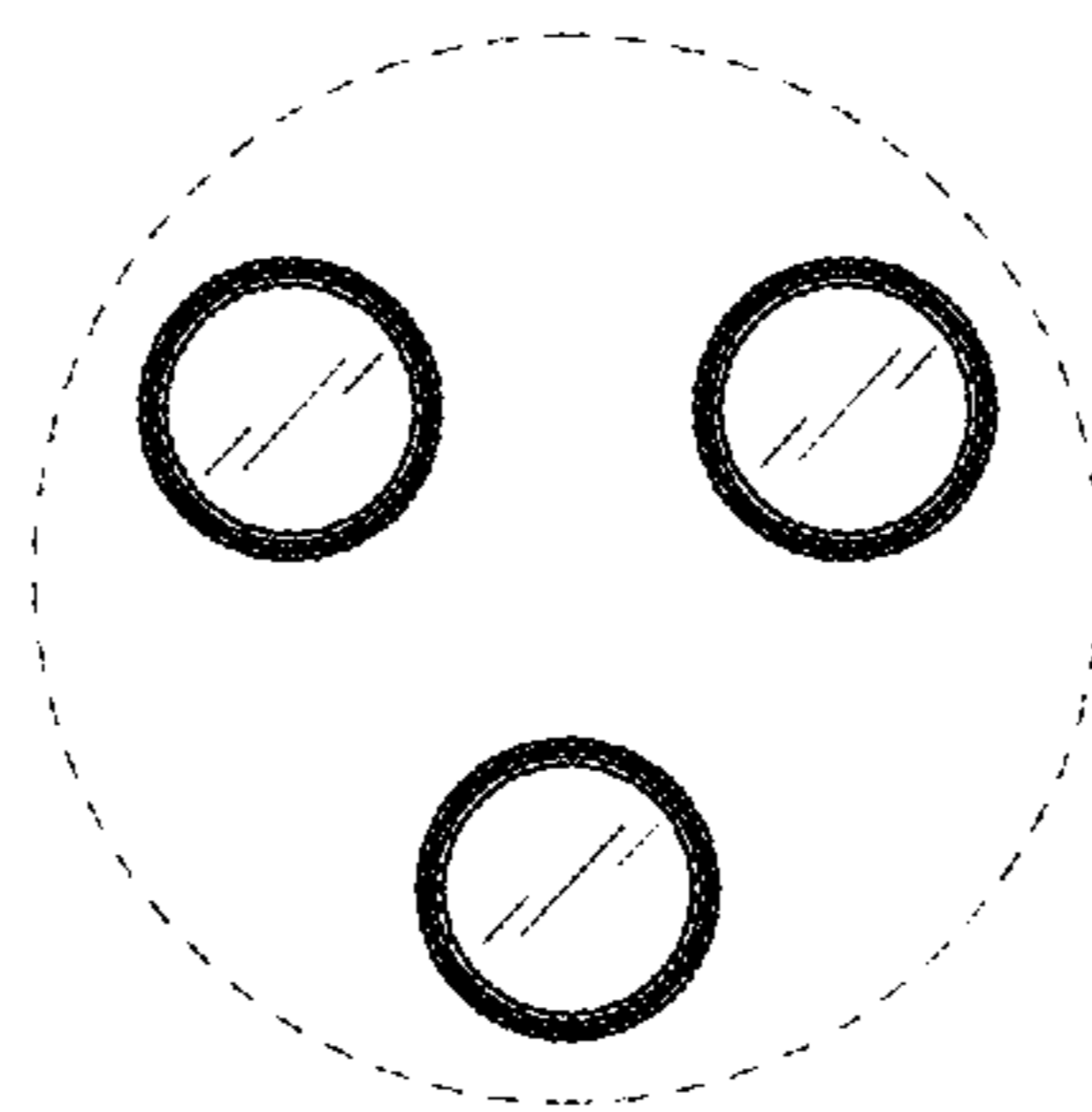


FIG. 8