



US00D923231S

(12) **United States Design Patent** (10) **Patent No.:** **US D923,231 S**  
**Akiyama** (45) **Date of Patent:** **\*\* Jun. 22, 2021**

(54) **LIGHTING FIXTURE**  
(71) Applicant: **KENALL MANUFACTURING COMPANY**, Kenosha, WI (US)  
(72) Inventor: **Steven Akiyama**, New Lenox, IL (US)  
(73) Assignee: **KENALL MANUFACTURING COMPANY**, Kenosha, WI (US)  
(\*\*) Term: **15 Years**  
(21) Appl. No.: **29/672,069**  
(22) Filed: **Dec. 3, 2018**

D330,268 S \* 10/1992 Jaksich ..... D26/74  
5,301,090 A 4/1994 Hed  
5,738,436 A 4/1998 Cummings et al.  
D400,281 S 10/1998 Kerr  
D433,524 S 11/2000 Szymanek  
6,197,444 B1 3/2001 Vackar  
6,375,338 B1 4/2002 Cummings et al.  
D457,981 S 5/2002 Yeh  
D511,852 S 11/2005 Benensohn  
D576,760 S 9/2008 Ottobre  
D585,581 S 1/2009 Purcell  
D602,626 S \* 10/2009 Santoro ..... D26/76  
D617,028 S \* 6/2010 Verfuerrth ..... D26/75  
D617,029 S \* 6/2010 Verfuerrth ..... D26/75  
D647,239 S 10/2011 Beghelli  
D673,712 S 1/2013 Patel  
D678,586 S \* 3/2013 Mayfield, III ..... D26/74  
D685,943 S \* 7/2013 Duquette ..... D26/74

**Related U.S. Application Data**

(62) Division of application No. 29/557,578, filed on Mar. 10, 2016, now Pat. No. Des. 840,082, which is a division of application No. 29/475,908, filed on Dec. 9, 2013, now Pat. No. Des. 780,362.

*Primary Examiner* — Angela J Lee  
(74) *Attorney, Agent, or Firm* — Marshall, Gerstein & Borun LLP

(51) **LOC (13) Cl.** ..... **26-05**

(52) **U.S. Cl.**  
USPC ..... **D26/74**

(57) **CLAIM**

The ornamental design for a lighting fixture, as shown and described.

(58) **Field of Classification Search**  
USPC ..... D26/74, 72, 75, 76, 77, 78, 85, 88, 89, D26/118, 138, 141, 67, 70; 362/364, 362/365, 373, 145, 146, 147, 148, 150, 362/153, 153.1, 294, 296.01, 296.07, 362/296.08  
CPC ..... F21V 29/2262; F21V 7/06; F21V 21/044; F21V 21/047; F21V 29/2212; F21V 29/2225; F21V 29/2256; F21V 29/225; F21V 29/2268; F21Y 2111/002; F21S 8/02; F21S 8/026  
See application file for complete search history.

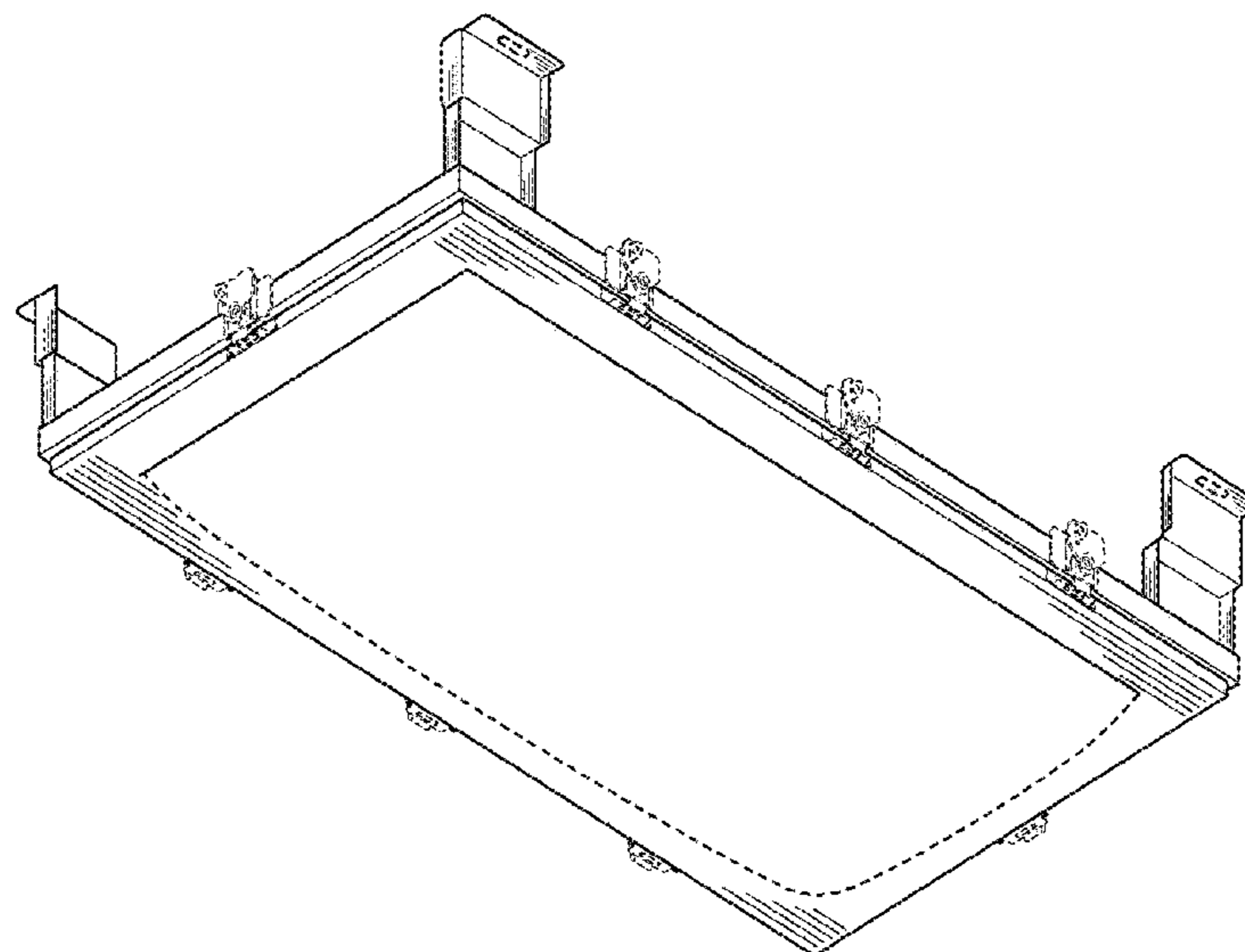
**DESCRIPTION**

FIG. 1 is a perspective view showing a new design for a lighting fixture;  
FIG. 2 is a front view thereof;  
FIG. 3 is a rear view thereof;  
FIG. 4 is a left side view thereof;  
FIG. 5 is a right side view thereof;  
FIG. 6 is a bottom view thereof; and,  
FIG. 7 is a top view thereof.  
The dashed lines showing portions of the lighting fixture are included for the purpose of illustrating environment and form no part of the claimed design.

(56) **References Cited**  
U.S. PATENT DOCUMENTS

D195,012 S 4/1963 Hoyle  
D201,544 S 7/1965 Brooks

**1 Claim, 5 Drawing Sheets**



(56)

References Cited

U.S. PATENT DOCUMENTS

D691,764 S	10/2013	Sieczkowski	2010/0085748 A1	4/2010	Kelly et al.
D698,974 S	2/2014	Anisierowicz et al.	2010/0110684 A1	5/2010	Abdelsamed et al.
D702,393 S	4/2014	Anisierowicz et al.	2010/0142202 A1	6/2010	Sugishita et al.
D702,868 S	4/2014	Patel	2010/0280677 A1	11/2010	Budike, Jr.
D730,564 S	5/2015	Waldmann	2011/0164411 A1	7/2011	Sparing et al.
D731,693 S	6/2015	Boyer et al.	2011/0273877 A1	11/2011	Reed et al.
D732,225 S	6/2015	Grandsart et al.	2012/0159821 A1	6/2012	Miletich et al.
D776,853 S *	1/2017	Akiyama ..... D26/74	2012/0176795 A1	7/2012	Lynch
D780,362 S *	2/2017	Akiyama ..... D26/74	2012/0217882 A1	8/2012	Wong et al.
D784,592 S	4/2017	Gan	2012/0249016 A1	10/2012	Smith
D840,082 S *	2/2019	Akiyama ..... D26/74	2012/0293086 A1	11/2012	Ishikita et al.
D853,616 S *	7/2019	Salas ..... D26/74	2012/0294000 A1	11/2012	Thomas et al.
D858,849 S *	9/2019	Akiyama ..... D26/74	2013/0003373 A1	1/2013	Hamby et al.
D858,850 S *	9/2019	Akiyama ..... D26/74	2013/0027935 A1	1/2013	Ladewig et al.
2004/0082209 A1	4/2004	Zenaboni	2013/0058108 A1	3/2013	Blincoe et al.
2004/0105264 A1	6/2004	Spero	2013/0062724 A1	3/2013	Tokuyama et al.
2007/0076459 A1	4/2007	Limpkin	2013/0063935 A1	3/2013	Thrailkill
2009/0073692 A1	3/2009	Berger et al.	2013/0077311 A1	3/2013	Kinnune et al.
2009/0290343 A1	11/2009	Brown et al.	2013/0208471 A1	8/2013	Lueken et al.
			2015/0159852 A1 *	6/2015	Dahlen ..... F21V 29/70 362/249.02

\* cited by examiner

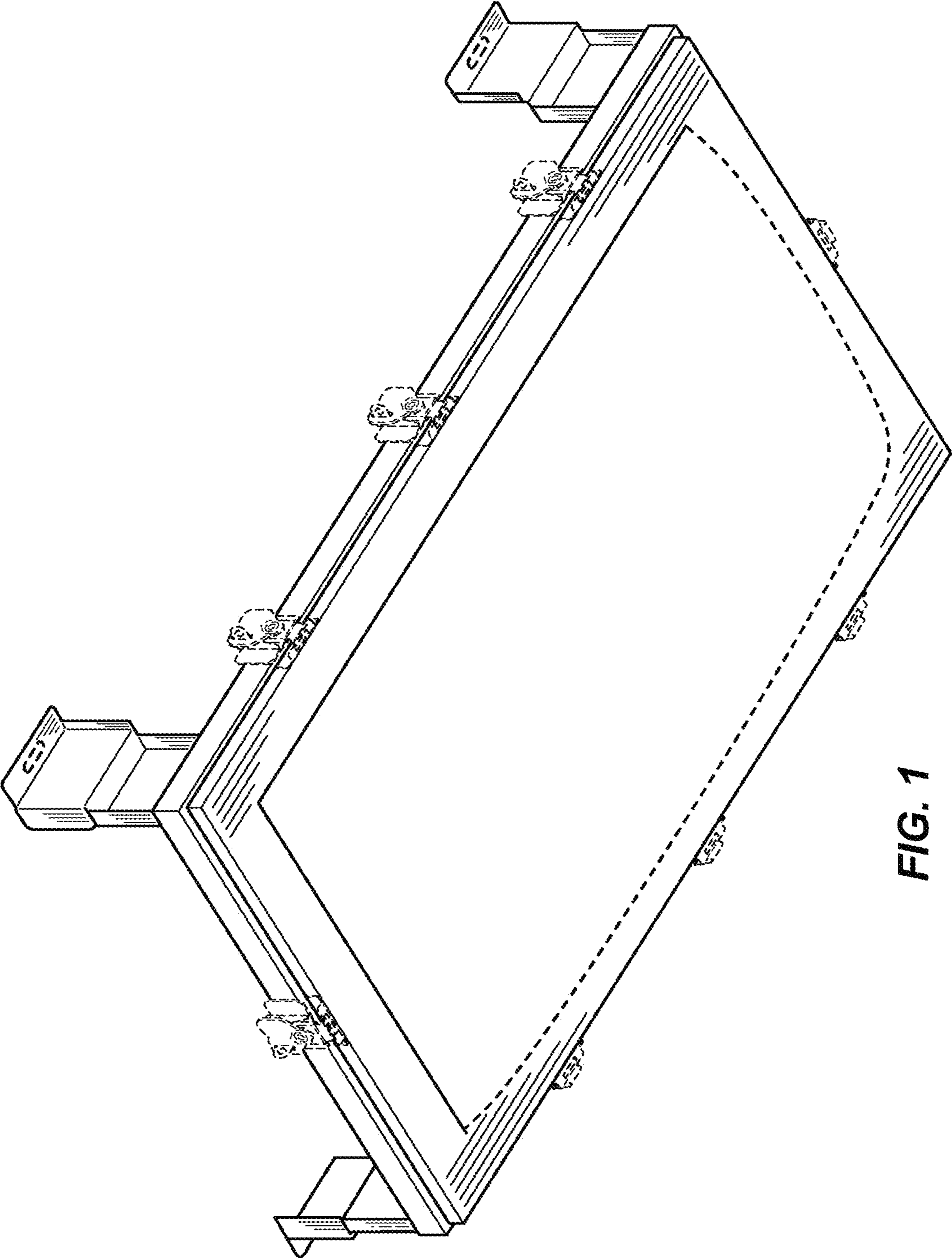
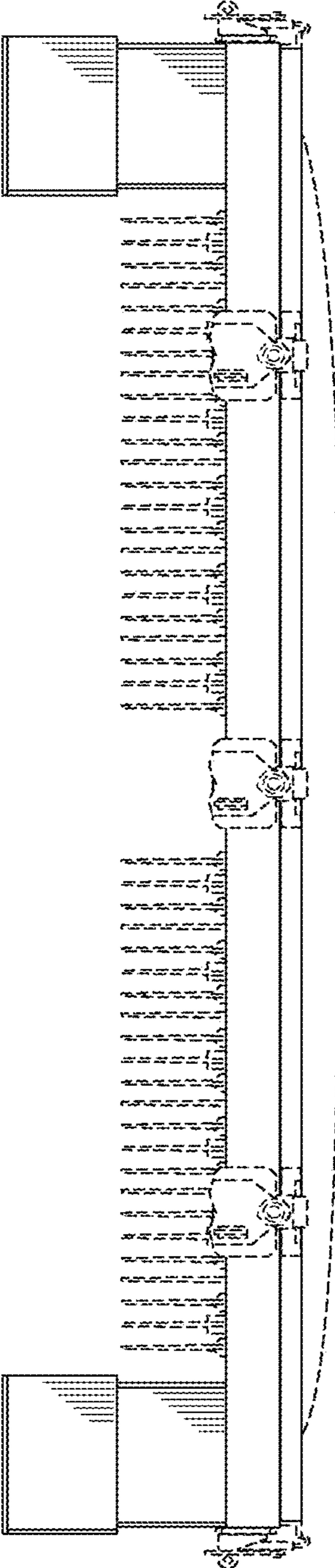
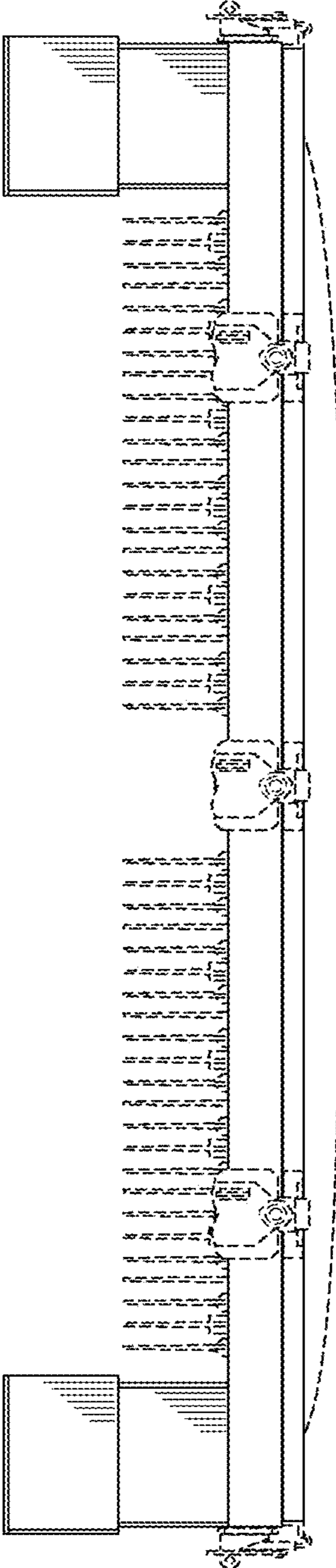


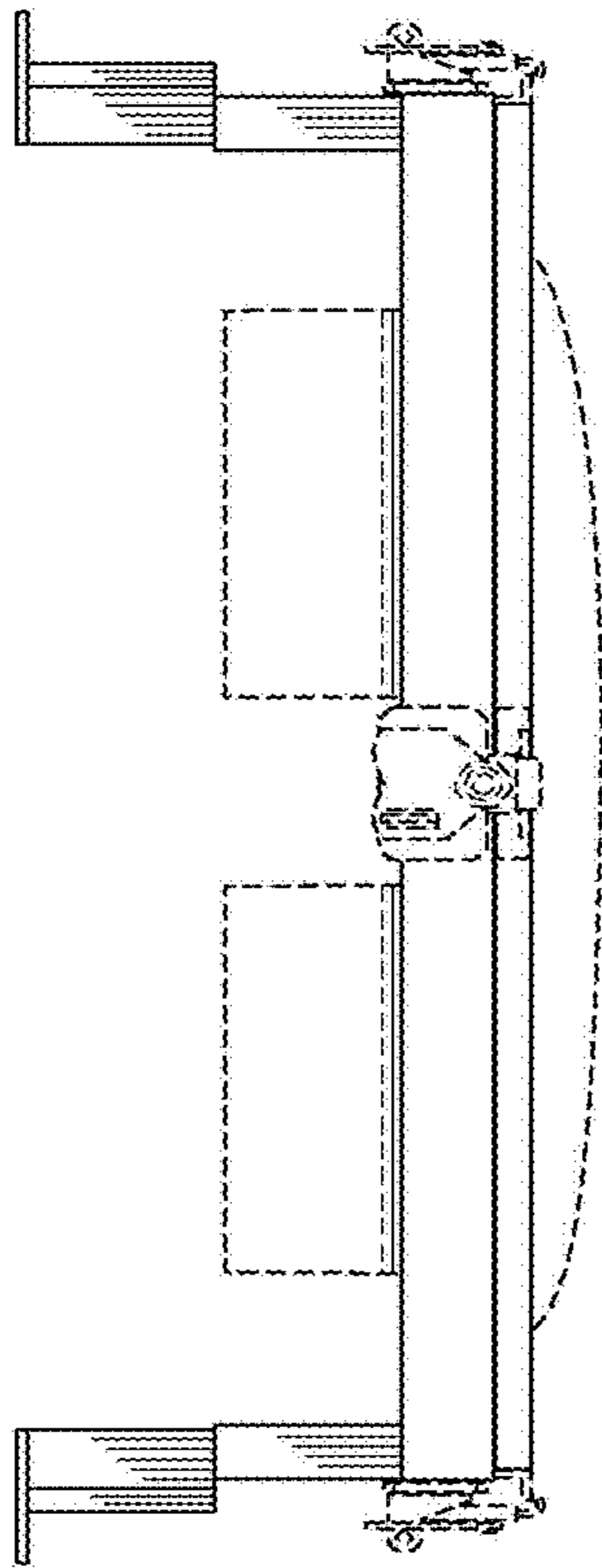
FIG. 1



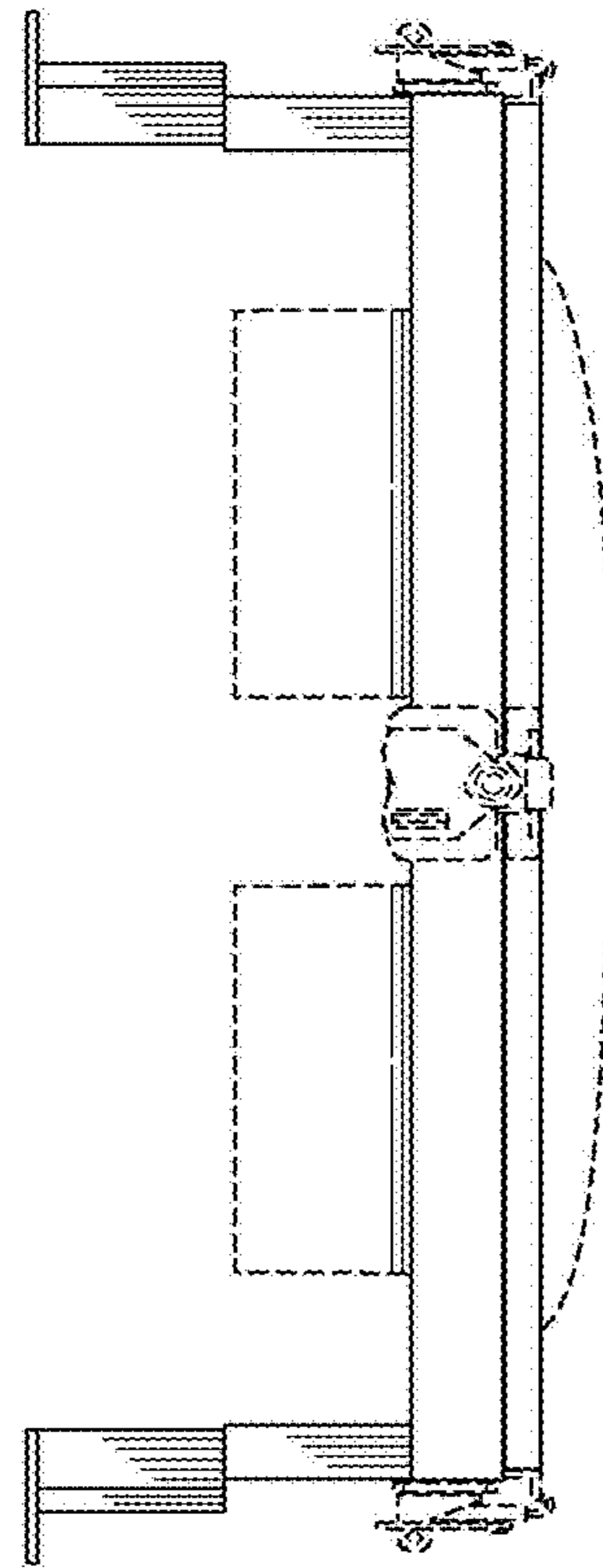
**FIG. 2**



**FIG. 3**



**FIG. 4**



**FIG. 5**

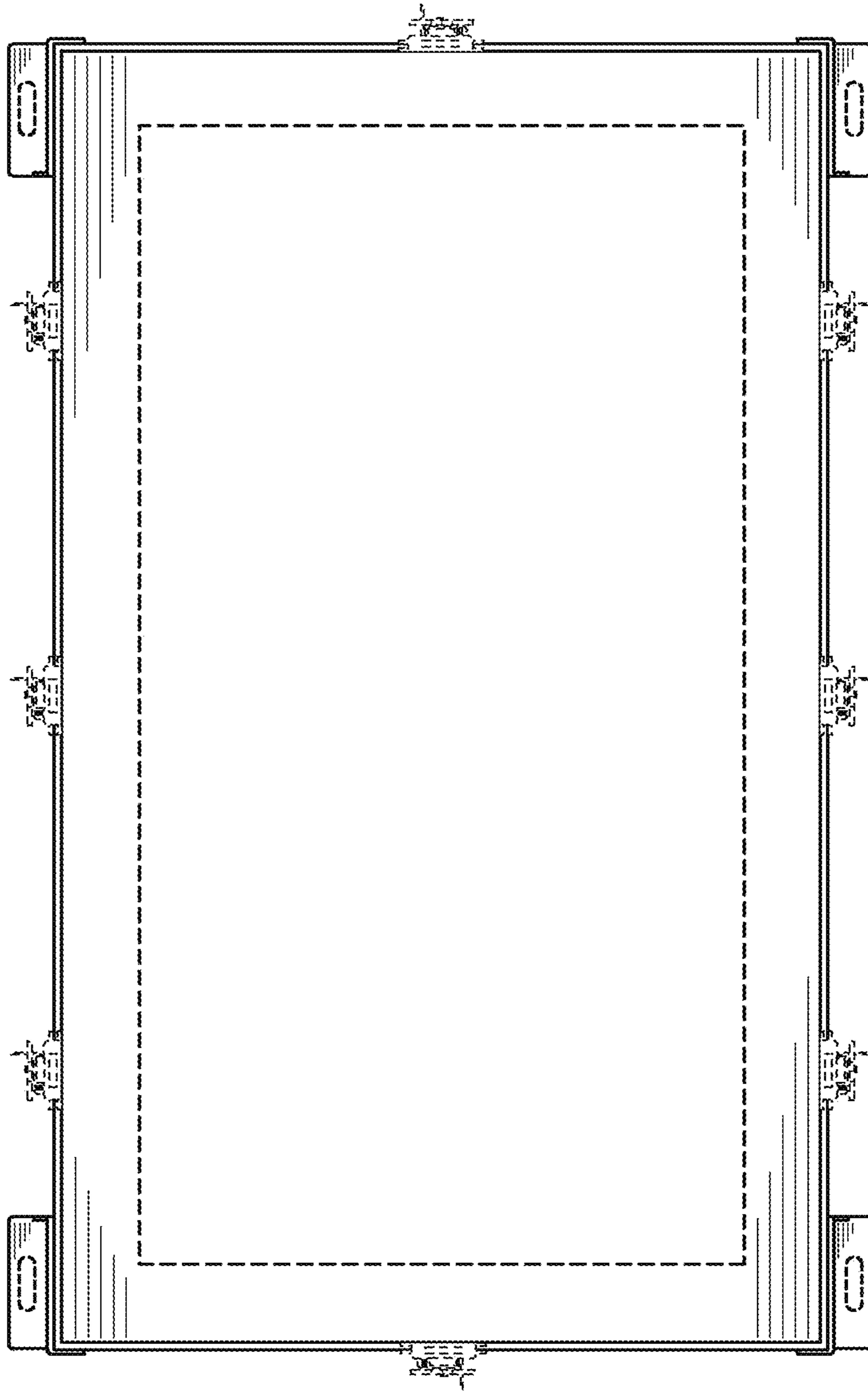


FIG. 6

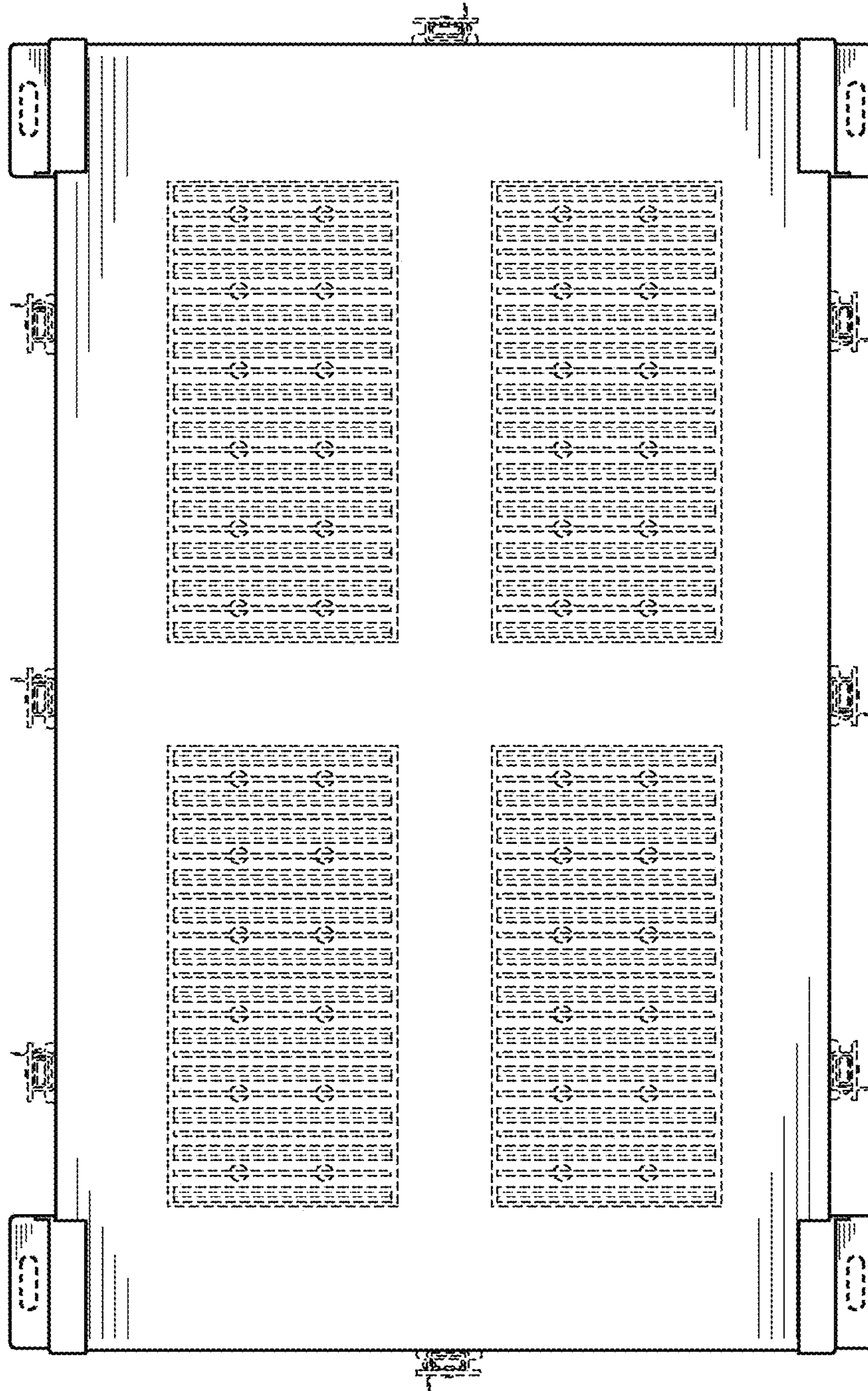


FIG. 7