



US00D923230S

(12) **United States Design Patent**  
**Liu**

(10) **Patent No.:** **US D923,230 S**  
(45) **Date of Patent:** **\*\* Jun. 22, 2021**

(54) **SOLAR LIGHT**  
(71) Applicant: **Guixiang Liu**, Ganzhou (CN)  
(72) Inventor: **Guixiang Liu**, Ganzhou (CN)  
(\*\*) Term: **15 Years**  
(21) Appl. No.: **29/774,628**  
(22) Filed: **Mar. 18, 2021**  
(51) **LOC (13) Cl.** ..... **26-05**  
(52) **U.S. Cl.**  
USPC ..... **D26/67**  
(58) **Field of Classification Search**  
USPC ..... D26/63, 67-70, 85; D25/118  
CPC .. F21S 8/022; F21S 8/032; F21S 8/036; F21S  
8/081; F21S 8/083; F21S 8/088; F21S  
9/02; F21S 9/037; F21S 10/046; F21V  
21/0824; F21W 2131/109; F21W  
2111/02; F21W 2111/023; E02B 3/14  
See application file for complete search history.

(56) **References Cited**  
U.S. PATENT DOCUMENTS  
3,442,044 A \* 5/1969 Quercetti ..... A63F 9/06  
446/124  
D214,532 S \* 6/1969 Fenton ..... D25/118  
D285,586 S \* 9/1986 Murdough, Jr. .... D21/491  
6,334,695 B1 \* 1/2002 Abe ..... B64F 1/20  
362/153.1  
D463,041 S \* 9/2002 Dice ..... D25/118

6,579,038 B1 \* 6/2003 McAllister ..... E02B 3/123  
404/38  
6,932,489 B2 \* 8/2005 Sooferian ..... E01C 17/00  
362/145  
D841,857 S \* 2/2019 Hollinger ..... D26/67  
D850,701 S 6/2019 Zhuo  
D865,264 S 10/2019 Wu  
2004/0184263 A1 \* 9/2004 Patti ..... E01C 17/00  
362/145  
2011/0013384 A1 \* 1/2011 Lu ..... F21S 8/022  
362/183  
2012/0262911 A1 \* 10/2012 Schweizer ..... F21V 33/006  
362/183  
2016/0301355 A1 \* 10/2016 Small ..... H01L 31/048  
2018/0087225 A1 \* 3/2018 McNeeley ..... F21V 27/00

\* cited by examiner

*Primary Examiner* — Clare E Heflin

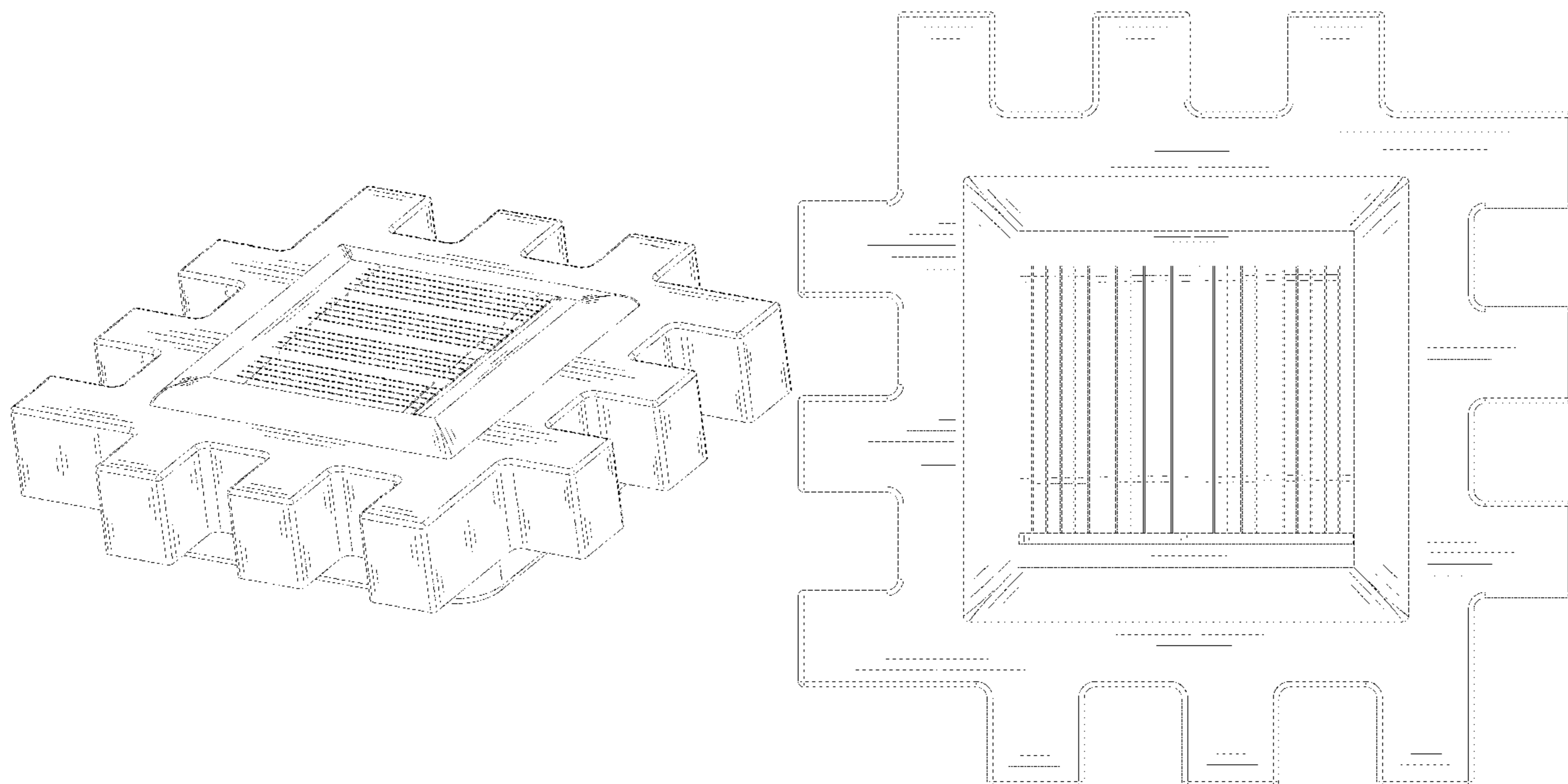
(57) **CLAIM**

The ornamental design for a solar light, as shown and described.

**DESCRIPTION**

FIG. 1 is a rear perspective view of the solar light showing my new design;  
FIG. 2 is a front perspective view thereof;  
FIG. 3 is a rear elevation view thereof;  
FIG. 4 is a front elevation view thereof;  
FIG. 5 is a left side elevation view thereof;  
FIG. 6 is a right side elevation view thereof;  
FIG. 7 is a top plan view thereof; and,  
FIG. 8 is a bottom plan view thereof.

**1 Claim, 8 Drawing Sheets**



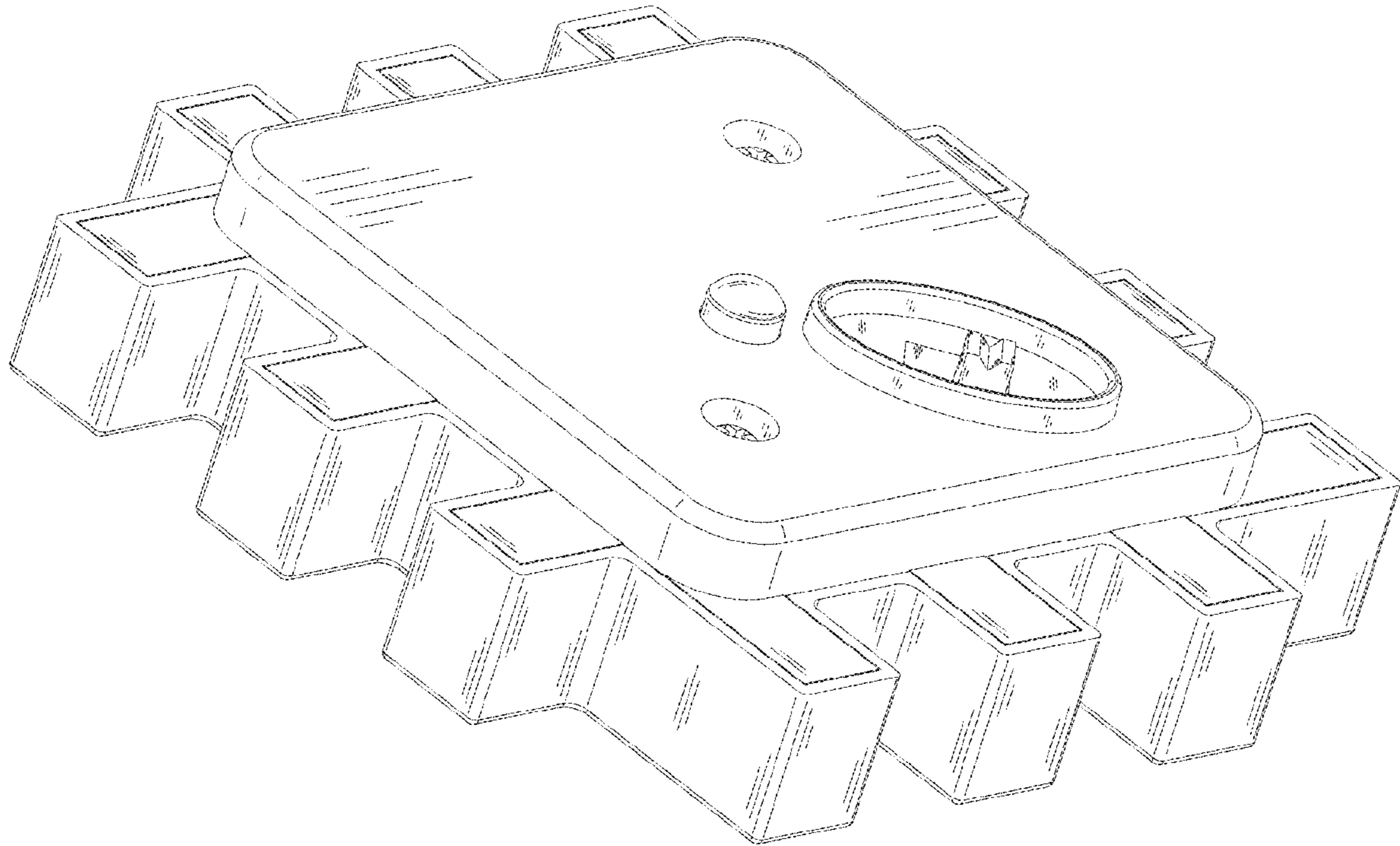


FIG. 1

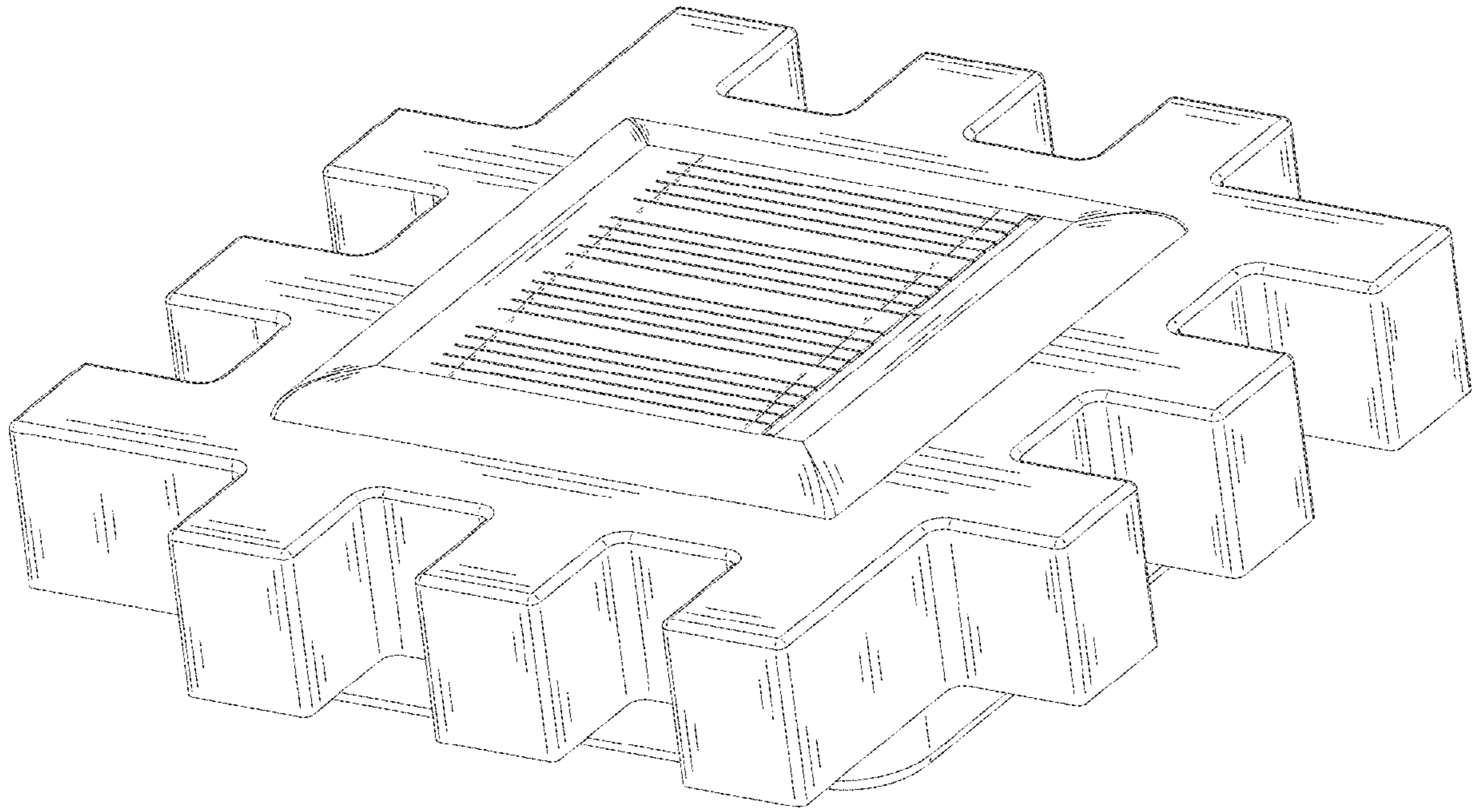


FIG. 2

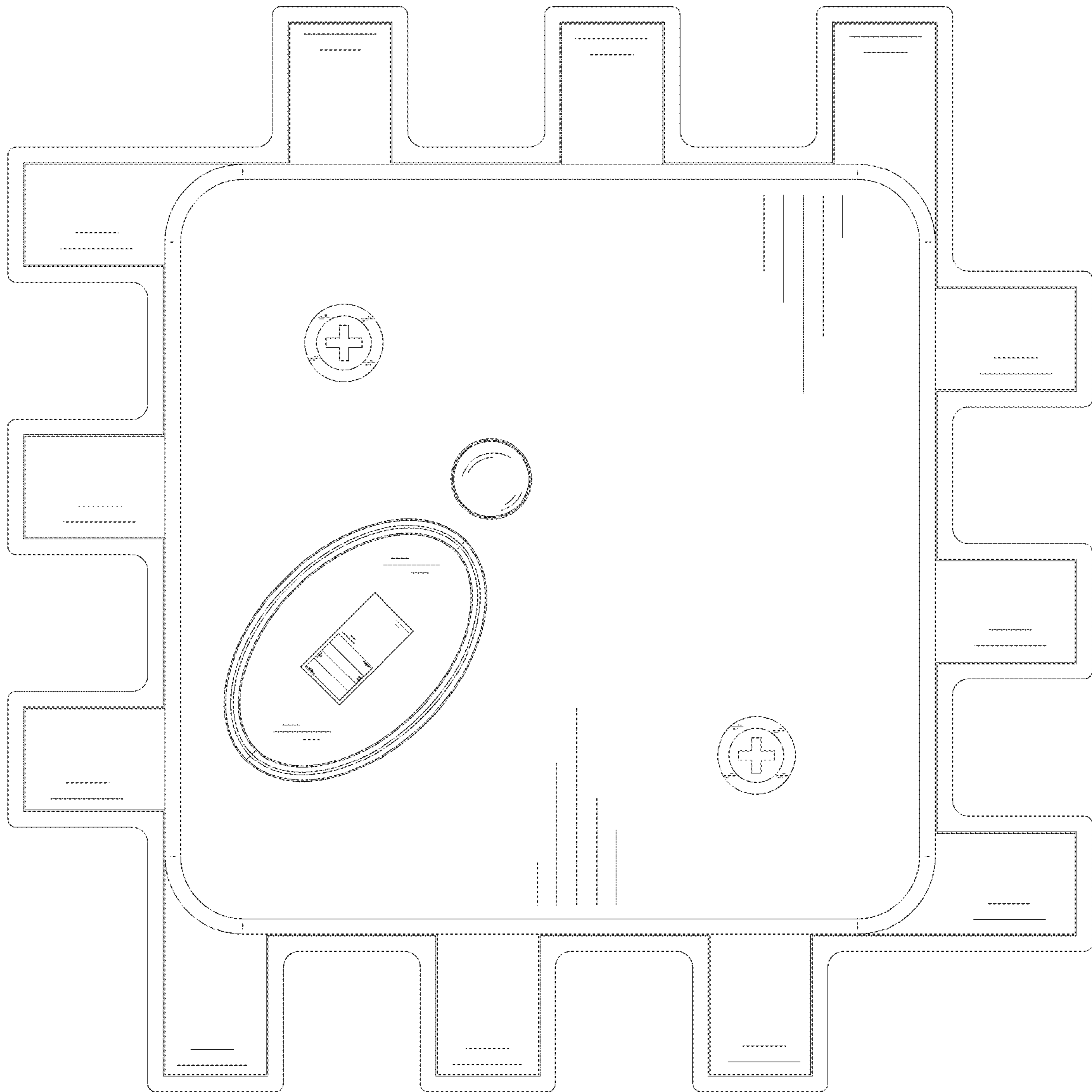


FIG. 3



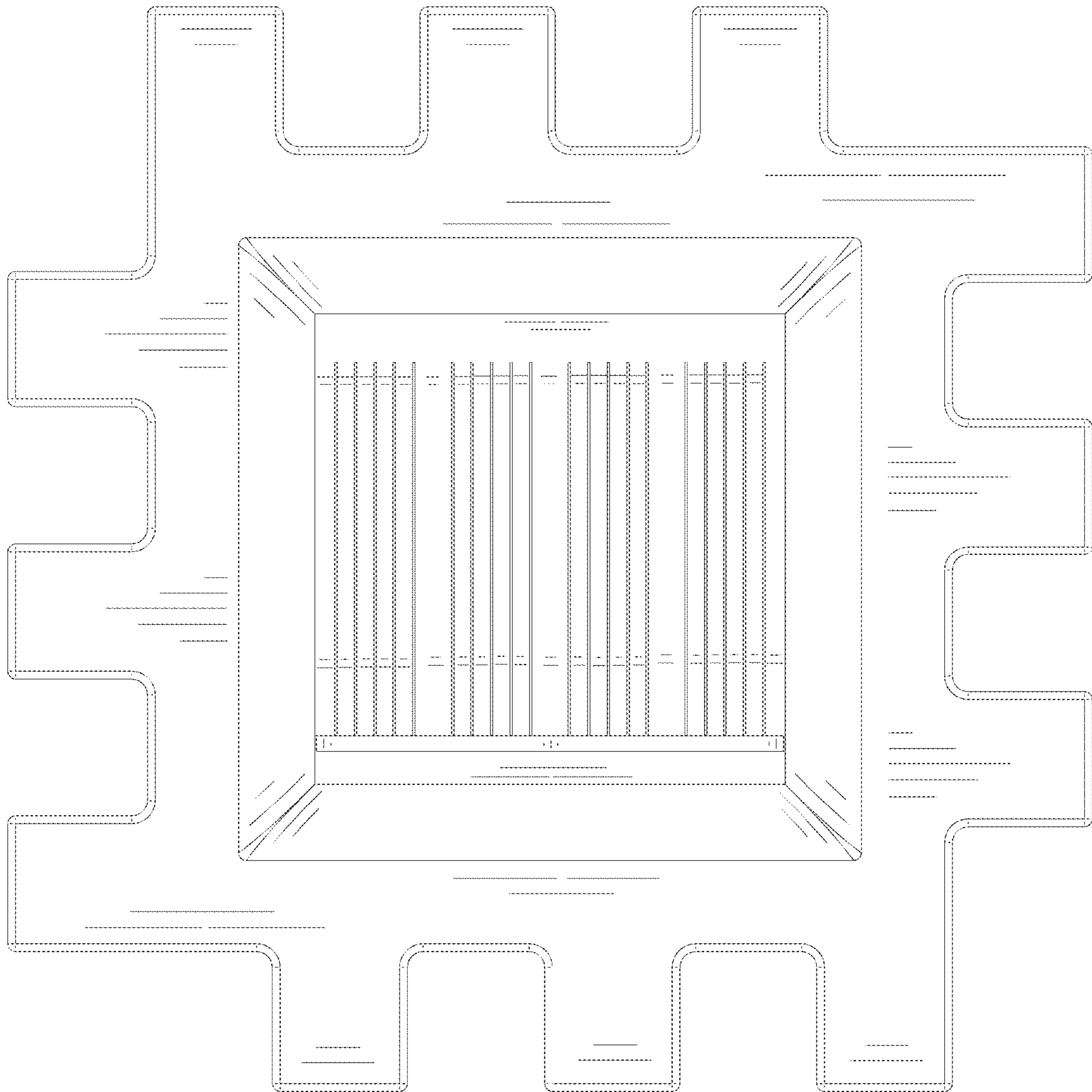


FIG. 4

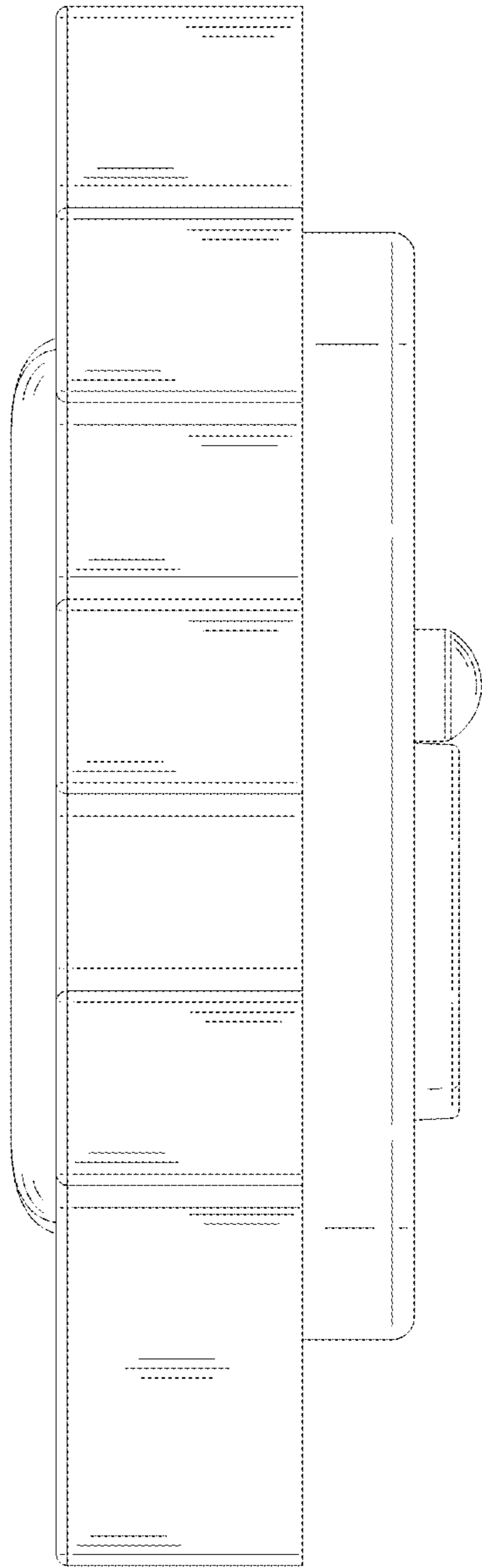


FIG. 5

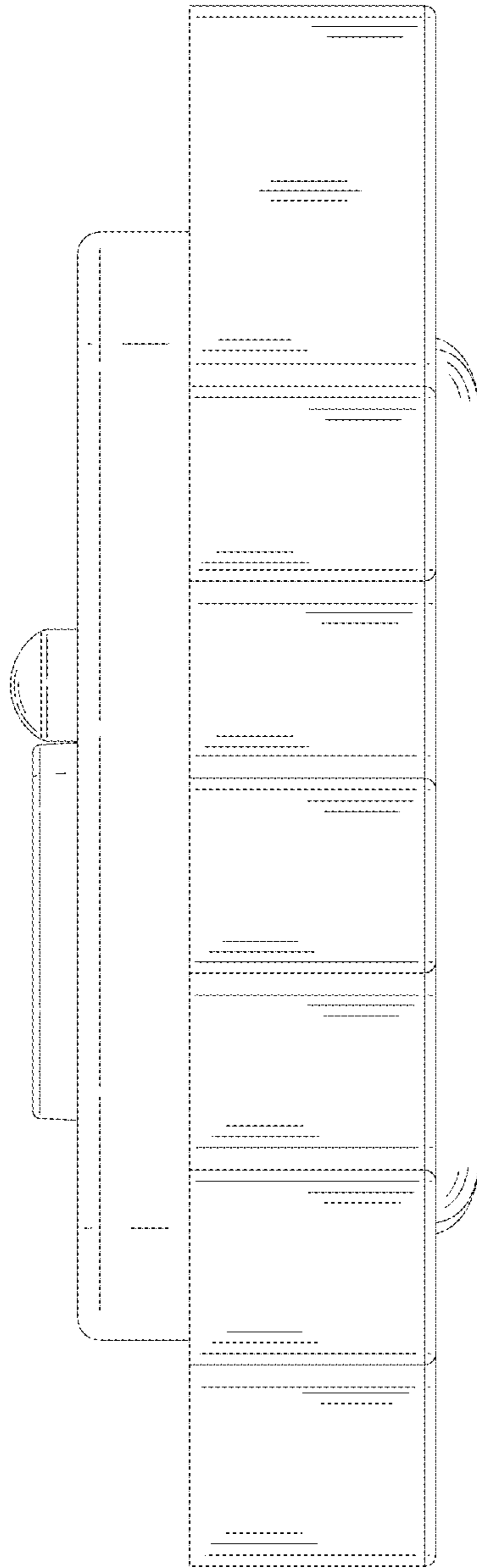


FIG. 6

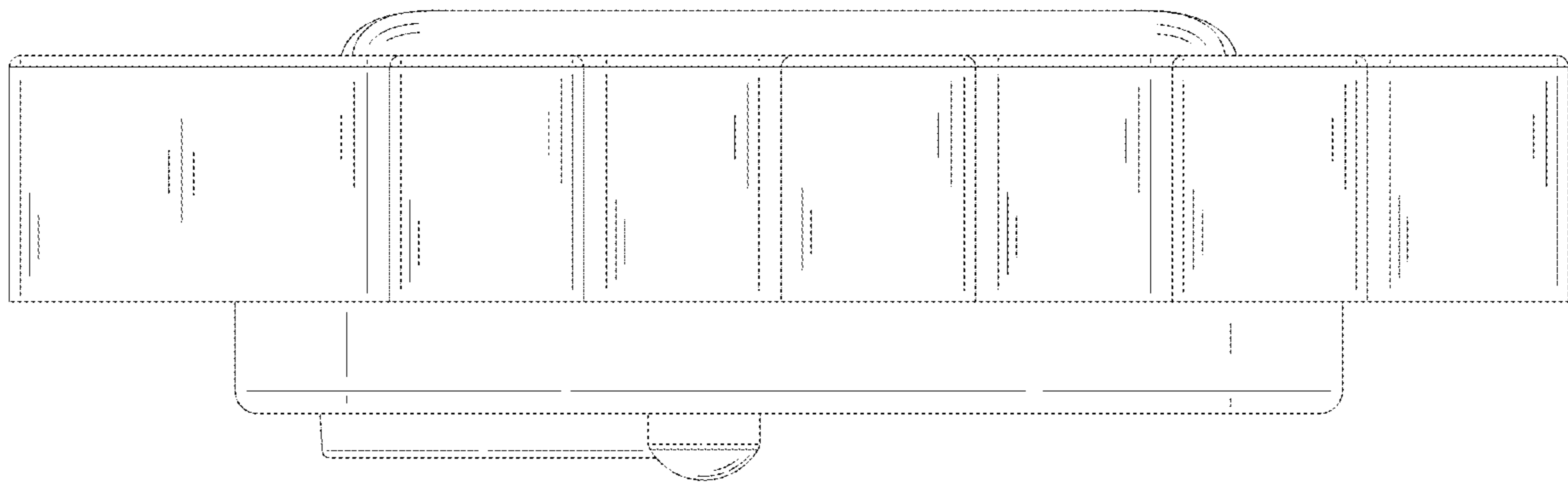


FIG. 7



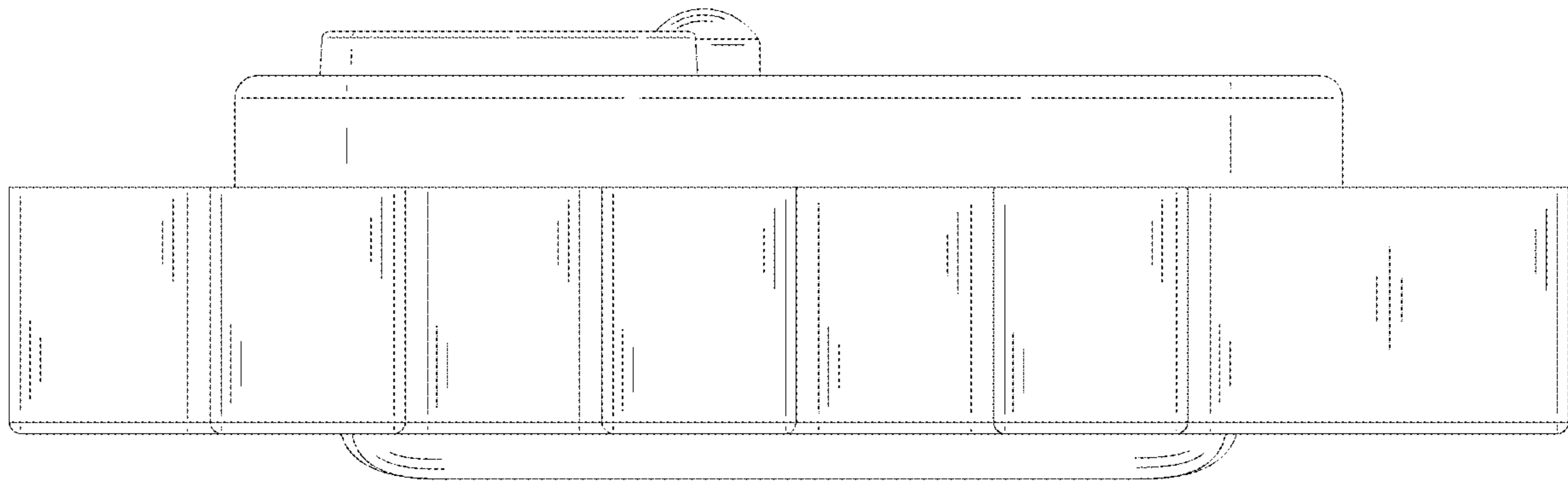


FIG. 8