



US00D923228S

(12) **United States Design Patent**
Ye et al.

(10) **Patent No.:** **US D923,228 S**
(45) **Date of Patent:** **** Jun. 22, 2021**

(54) **LED GARAGE LIGHT**

(71) Applicant: **THE NEW GENIUS(SZ) TECHNOLOGY CO., LIMITED,**
Guangdong (CN)

(72) Inventors: **Jianrong Ye,** Guangdong (CN); **Dong Chen,** Guangdong (CN)

(73) Assignee: **THE NEW GENIUS(SZ) TECHNOLOGY CO., LIMITED,**
Guangdong (CN)

(**) Term: **15 Years**

(21) Appl. No.: **29/738,022**

(22) Filed: **Jun. 14, 2020**

(30) **Foreign Application Priority Data**

May 22, 2020 (CN) 202030241144.2

(51) **LOC (13) Cl.** **26-03**

(52) **U.S. Cl.**
USPC **D26/63; D26/2**

(58) **Field of Classification Search**
USPC D26/2, 61, 63, 64, 65
CPC F21S 6/00; F21S 8/00; F21S 8/003; F21S 8/024; F21V 21/00; F21V 21/06; F21V 21/26; F21V 21/28; F21V 17/02; F21W 2121/10; F21W 2131/30

See application file for complete search history.

(56) **References Cited**

U.S. PATENT DOCUMENTS

D861,926 S *	10/2019	Lin	D26/2
D879,334 S *	3/2020	Lin	D26/2
D879,335 S *	3/2020	Lin	D26/2
D879,349 S *	3/2020	Li	D26/63
D882,851 S *	4/2020	Deng	D26/63
D886,353 S *	6/2020	Du	D26/63
D907,829 S *	1/2021	Rajasekaran	D26/63
D908,250 S *	1/2021	Xu	D26/2

* cited by examiner

Primary Examiner — Brian N. Vinson

(74) *Attorney, Agent, or Firm* — JCIP Global Inc.

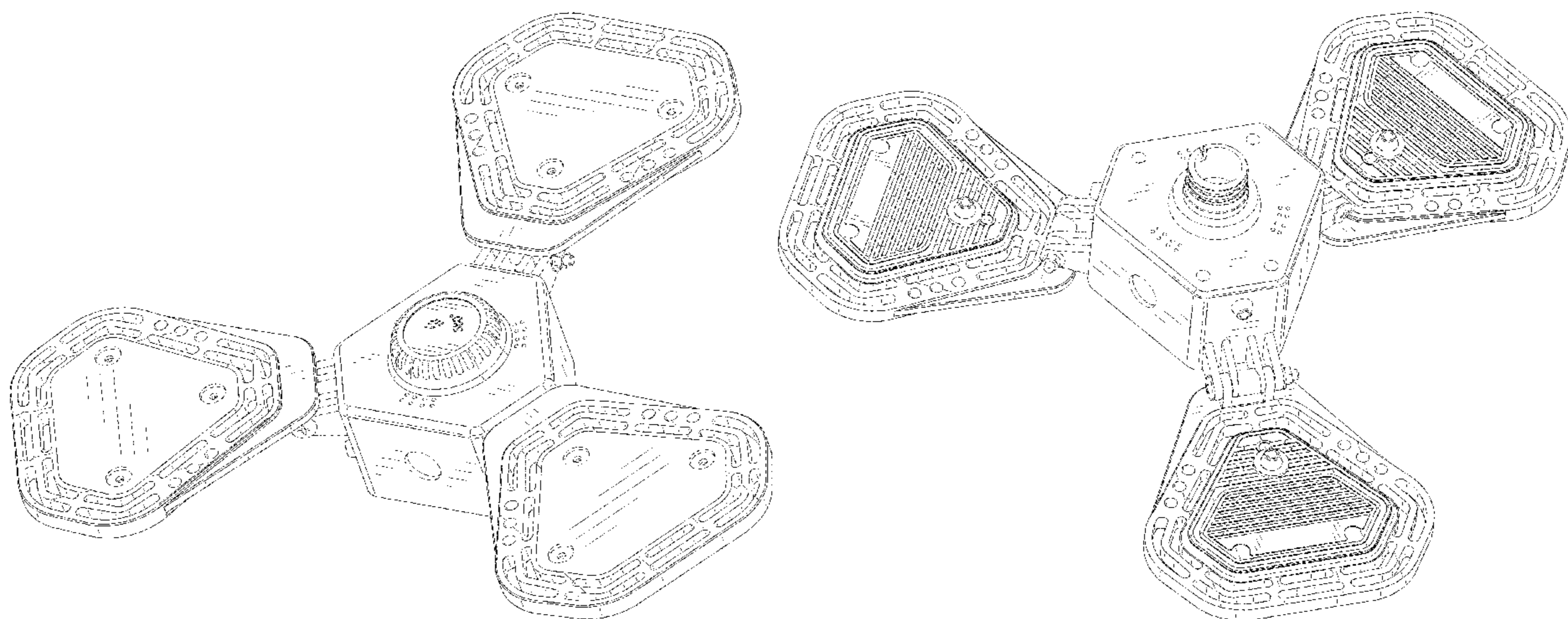
(57) **CLAIM**

The ornamental design for an LED garage light, as shown and described.

DESCRIPTION

FIG. 1 is a perspective view of an LED garage light showing our new design;
FIG. 2 is another perspective view thereof;
FIG. 3 is a front view thereof;
FIG. 4 is a rear view thereof;
FIG. 5 is a left view thereof;
FIG. 6 is a right view thereof;
FIG. 7 is a top view thereof; and,
FIG. 8 is a bottom view thereof.
The broken line portions of the LED garage light in FIGS. 1-8 represent unclaimed portions of the claimed design and form no part thereof.

1 Claim, 6 Drawing Sheets



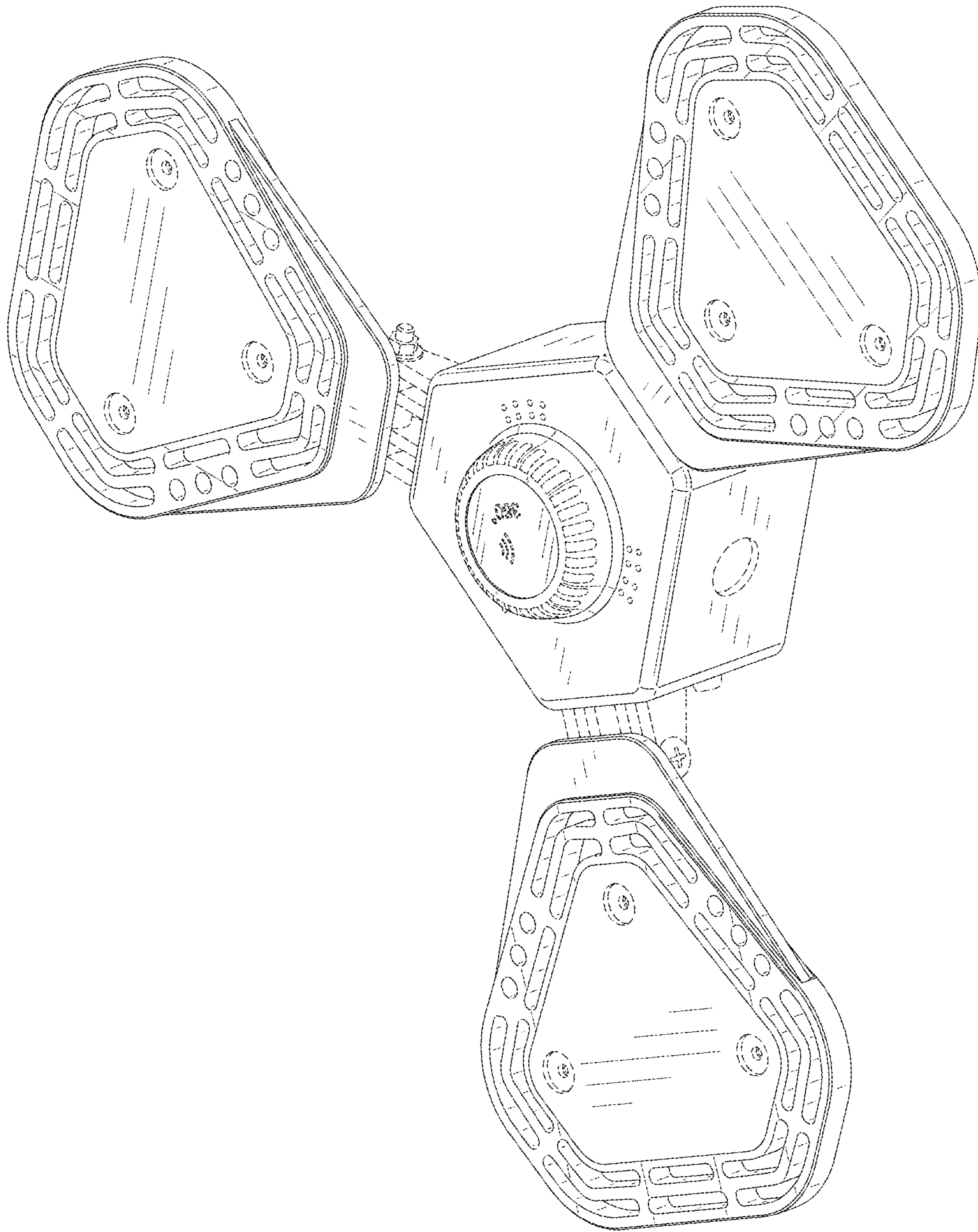


FIG. 1

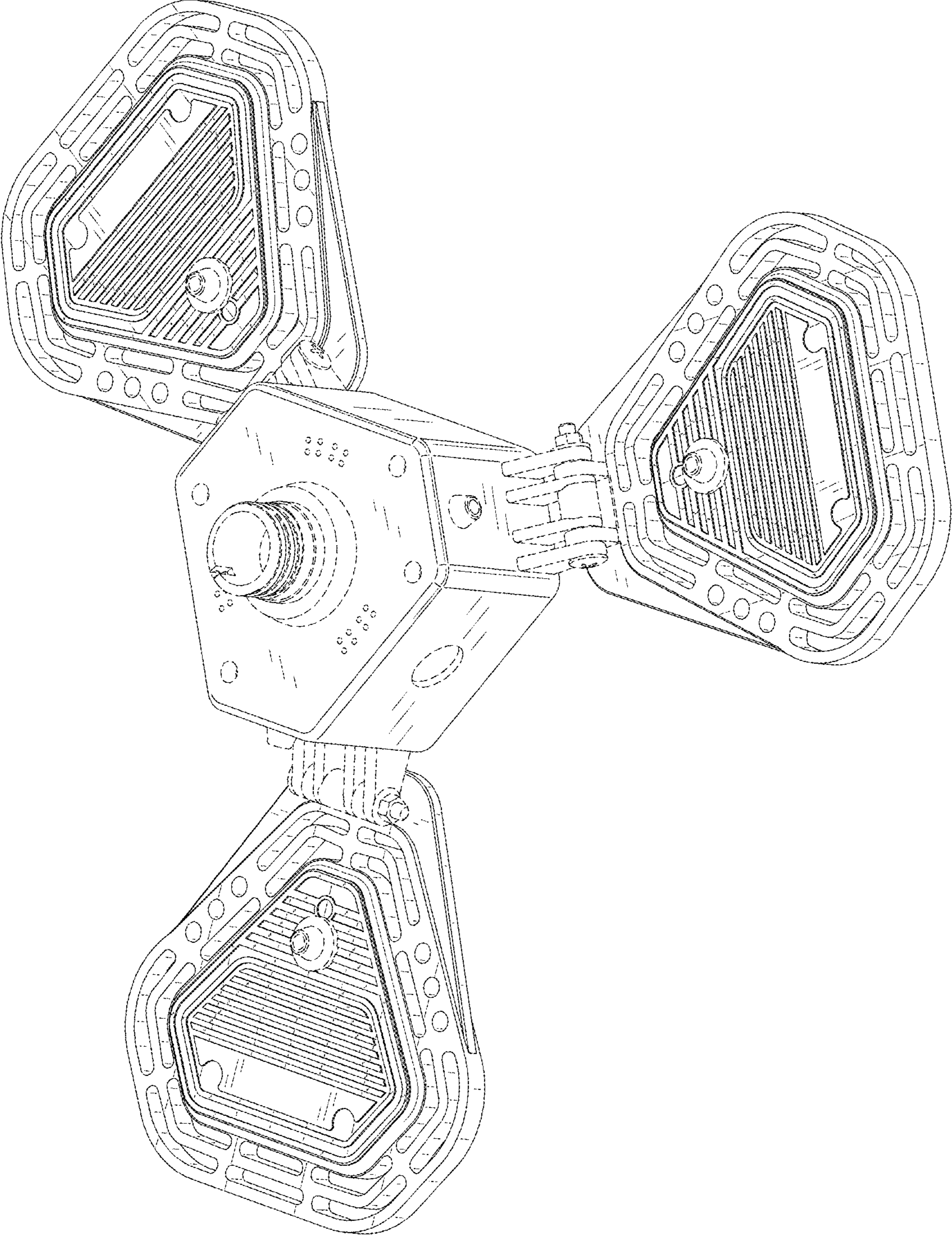


FIG. 2

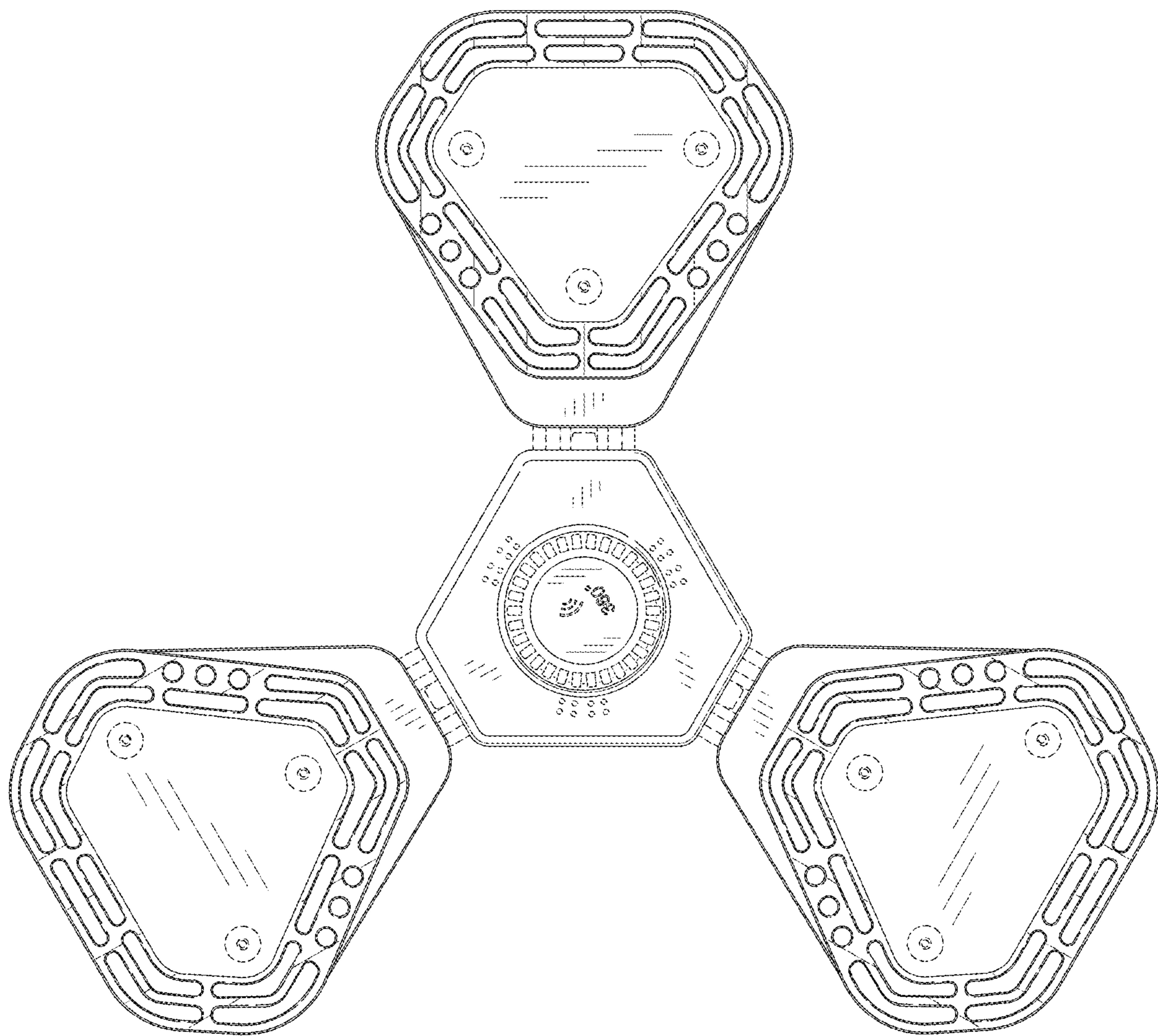


FIG. 3

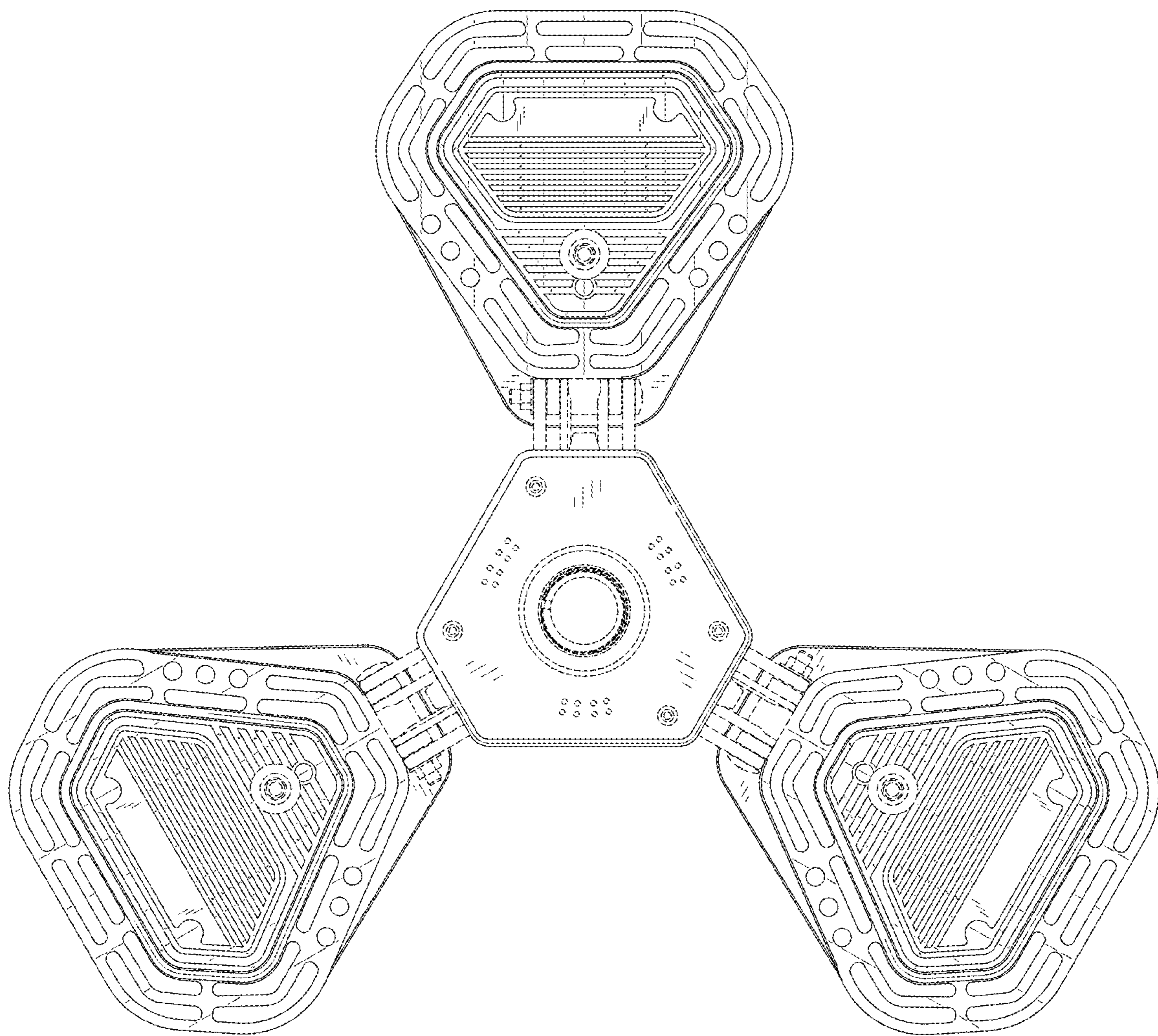


FIG. 4

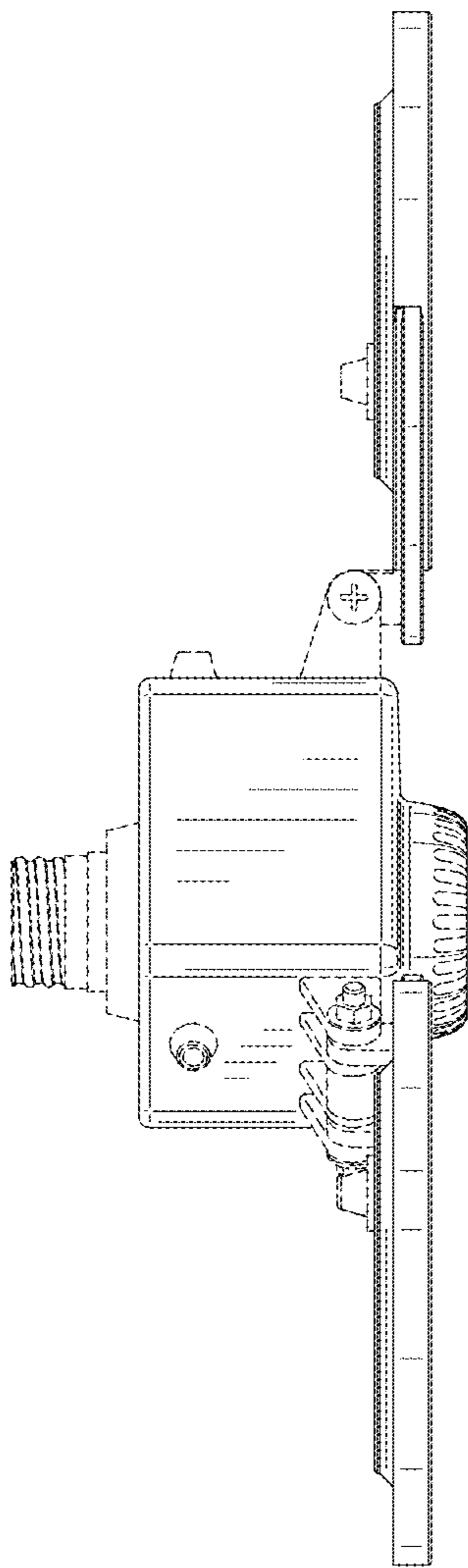


FIG. 5

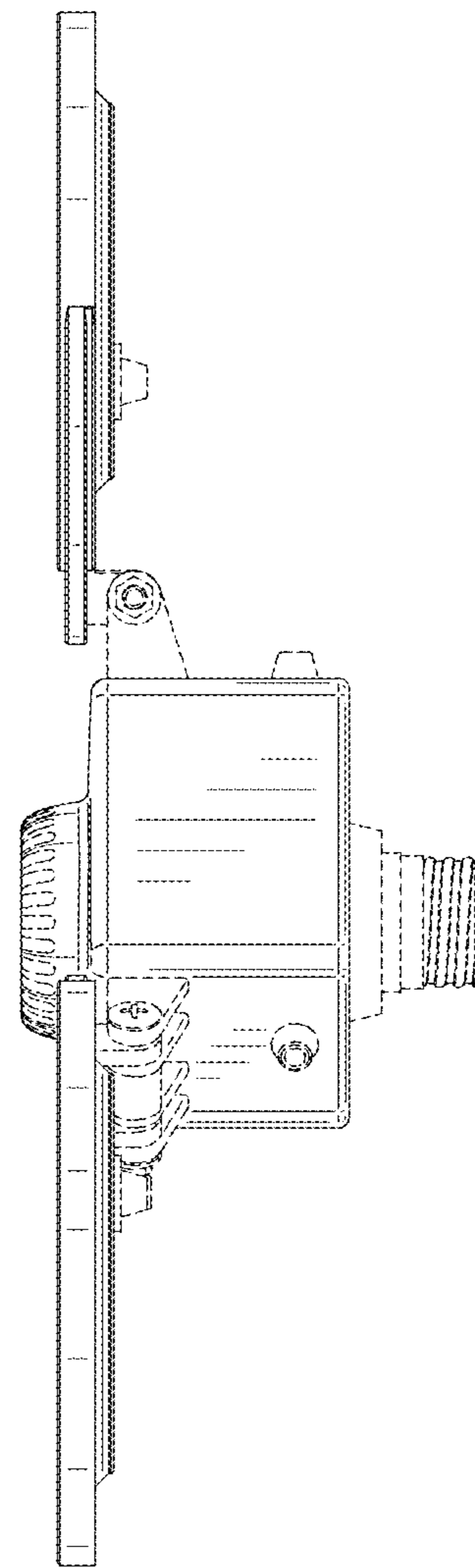


FIG. 6

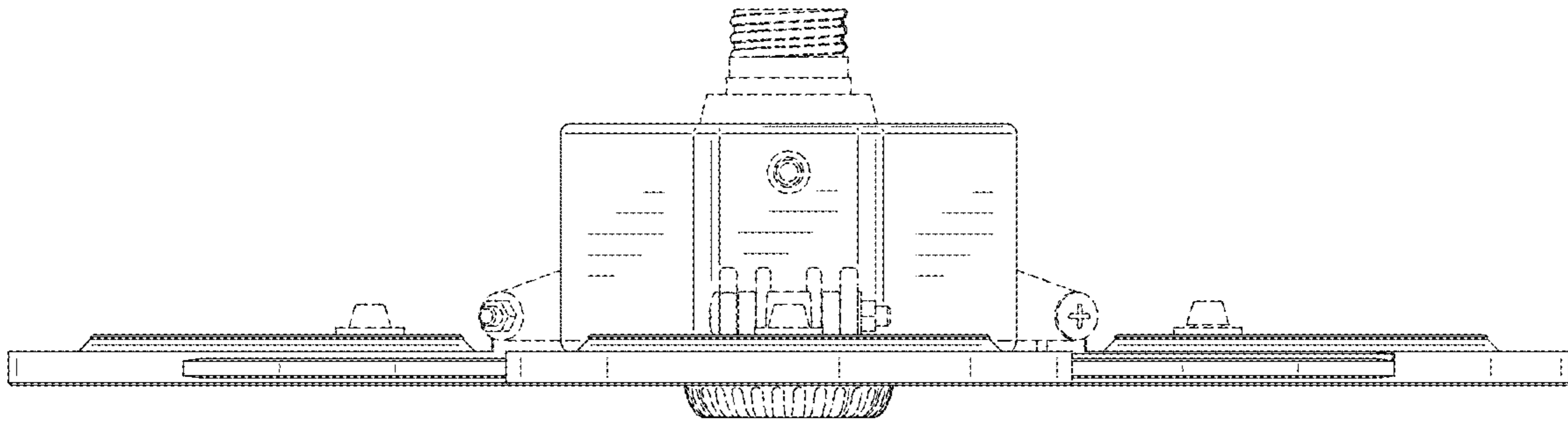


FIG. 7

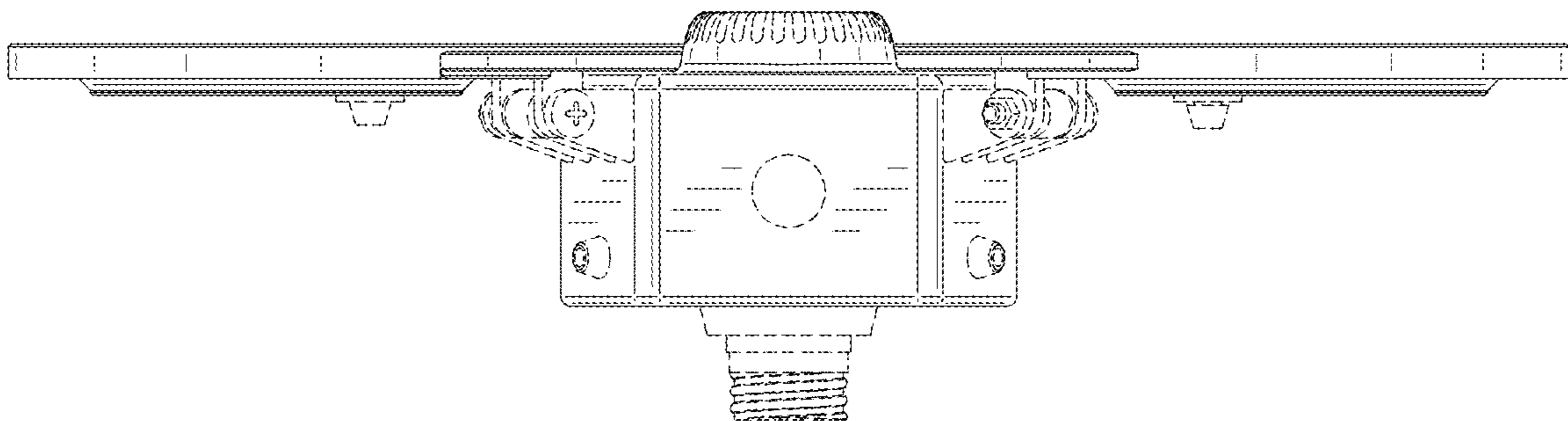


FIG. 8