



US00D923227S

(12) **United States Design Patent**
Ko

(10) **Patent No.:** **US D923,227 S**

(45) **Date of Patent:** **** Jun. 22, 2021**

(54) **LIGHTING DEVICE FOR INDUSTRIAL PURPOSES**

(71) Applicants: **VISION X ASIA CO., LTD.**,
Hwaseong-si (KR); **In Hong Ko**, Seoul (KR)

(72) Inventor: **In Hong Ko**, Seoul (KR)

(73) Assignees: **VISION X ASIA CO., LTD.**,
Hwaseong-si (KR); **In Hong Ko**, Seoul (KR)

(**) Term: **15 Years**

(21) Appl. No.: **29/725,258**

(22) Filed: **Feb. 24, 2020**

(30) **Foreign Application Priority Data**

Jan. 10, 2020 (KR) 30-2020-0001191

(51) **LOC (13) Cl.** **26-03**

(52) **U.S. Cl.**
USPC **D26/63**

(58) **Field of Classification Search**
USPC D26/61, 63
CPC F21V 14/00; F21V 21/00; F21V 21/14;
F21W 2131/10
See application file for complete search history.

(56) **References Cited**

U.S. PATENT DOCUMENTS

D767,806 S * 9/2016 Colacilli D26/63
D781,480 S * 3/2017 Zhan D26/63

D782,718 S * 3/2017 Ko D26/63
D799,094 S * 10/2017 Li D26/63
D799,729 S * 10/2017 Zhong D26/63
D827,174 S * 8/2018 Yu D26/63
D854,720 S * 7/2019 Deng D26/63
D893,788 S * 8/2020 Li D26/63

* cited by examiner

Primary Examiner — Brian N. Vinson

(74) *Attorney, Agent, or Firm* — Cantor Colburn LLP

(57) **CLAIM**

The ornamental design for a lighting device for industrial purposes, as shown and described.

DESCRIPTION

FIG. 1 is a front-top-right side perspective view of a lighting device for industrial purposes showing my new design; FIG. 2 is a front-bottom-left side perspective view thereof; FIG. 3 is a front elevational view thereof; FIG. 4 is a rear elevational view thereof; FIG. 5 is a left side elevational view thereof; FIG. 6 is a right side elevational view thereof; FIG. 7 is a top plan view thereof; and, FIG. 8 is a bottom plan view thereof.

The broken lines in the drawings are included for illustrative purposes only and form no part of the claimed design.

1 Claim, 5 Drawing Sheets

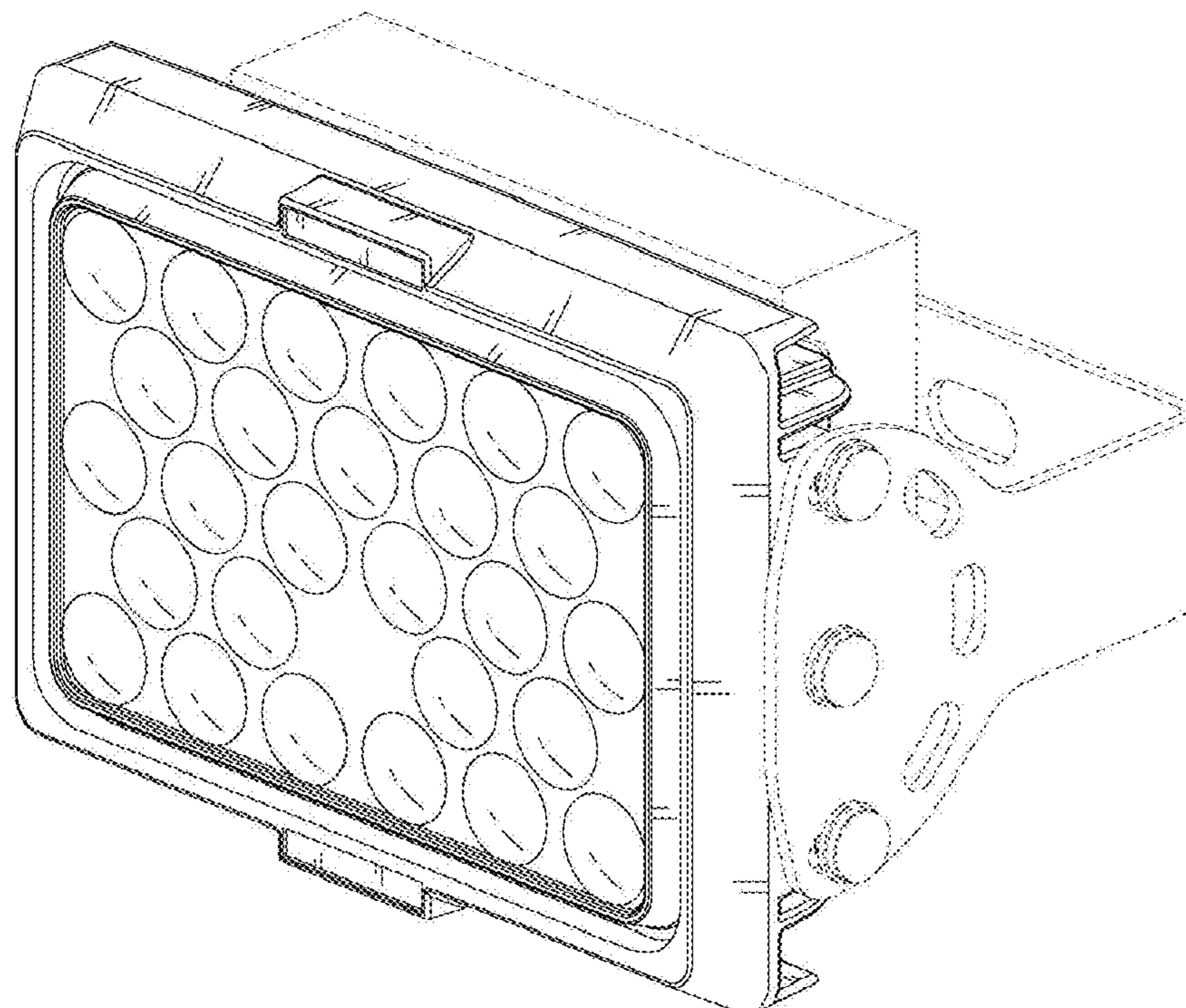


FIG. 1

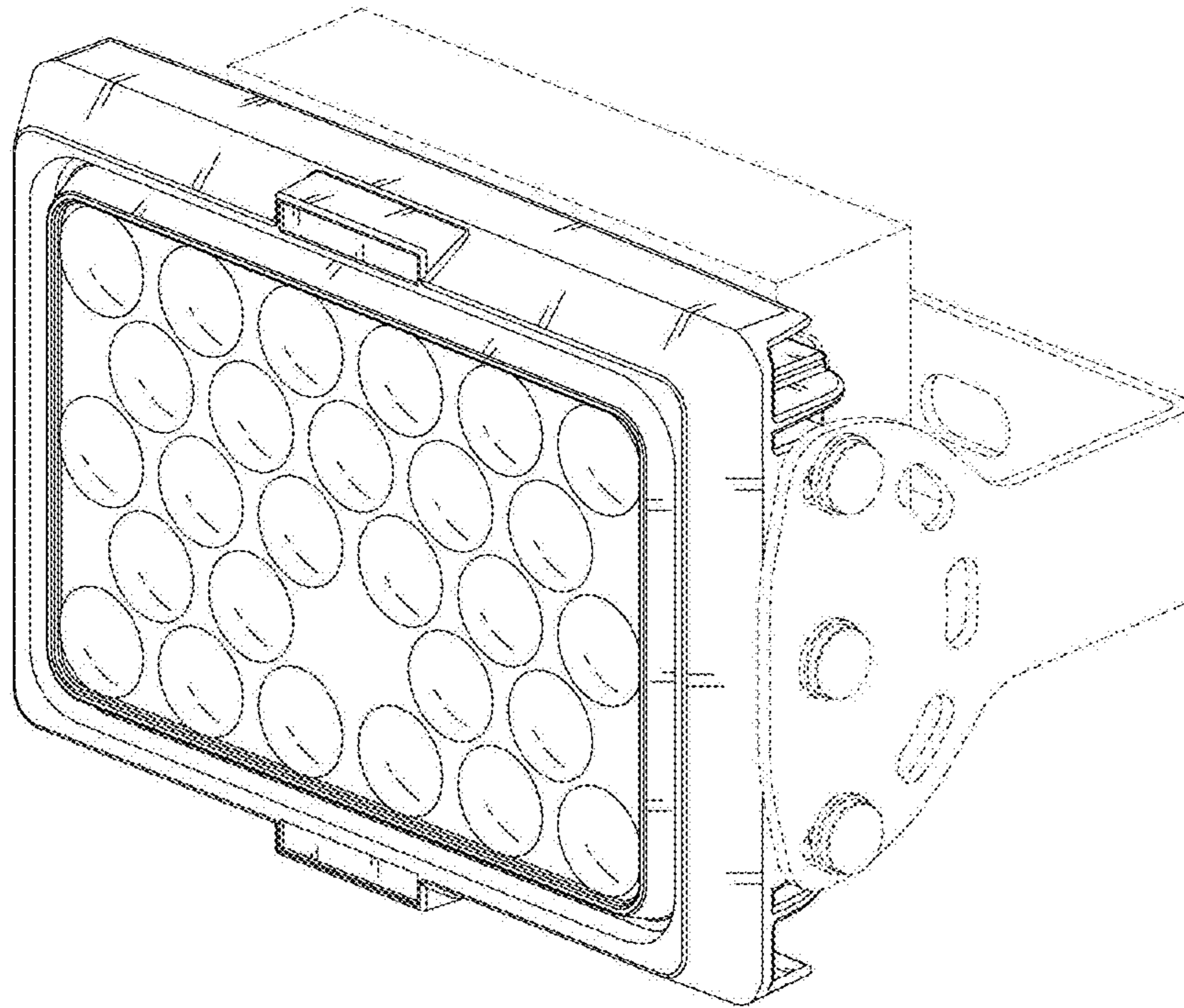


FIG. 2

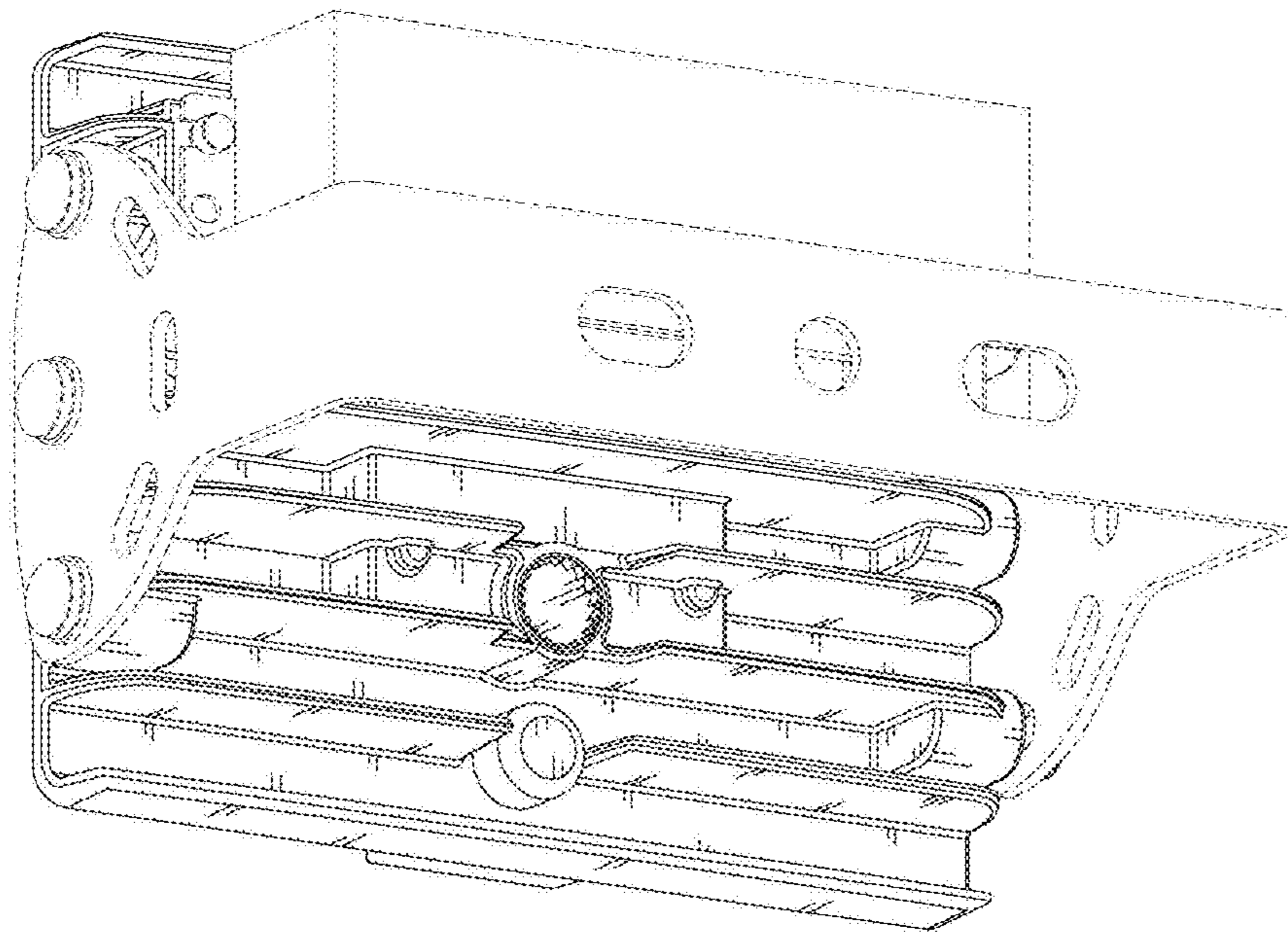


FIG. 3

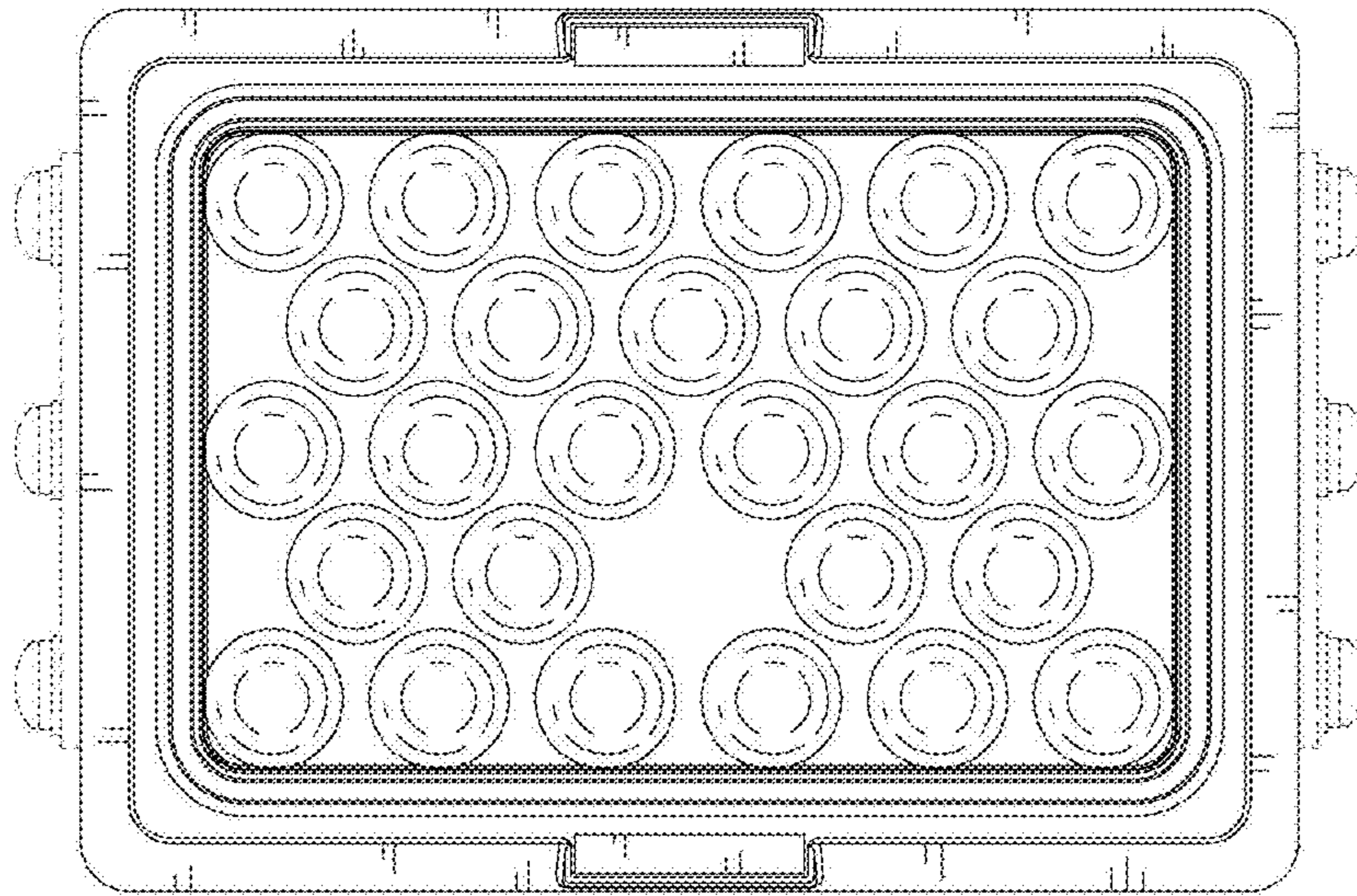


FIG. 4

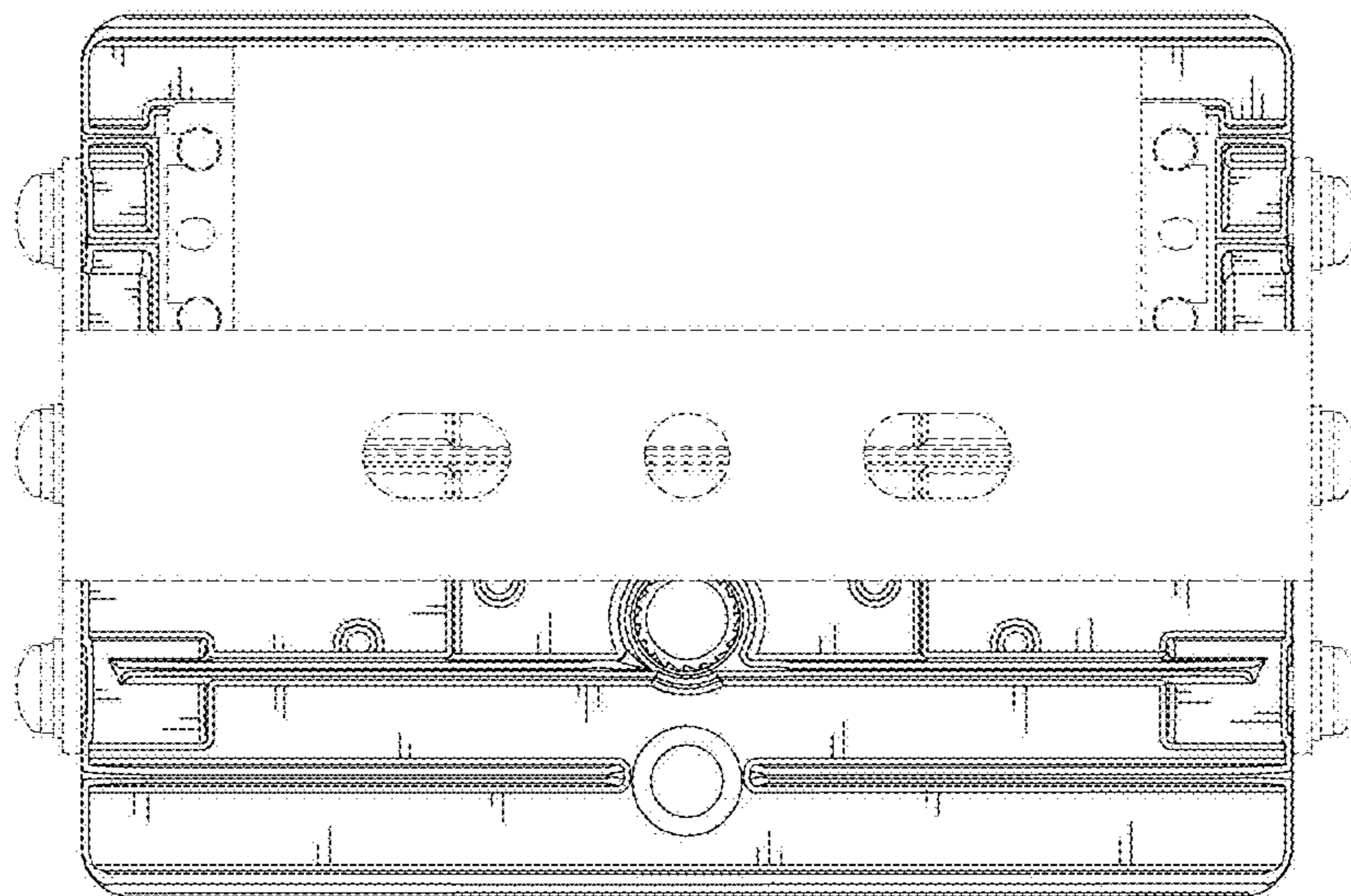


FIG. 5

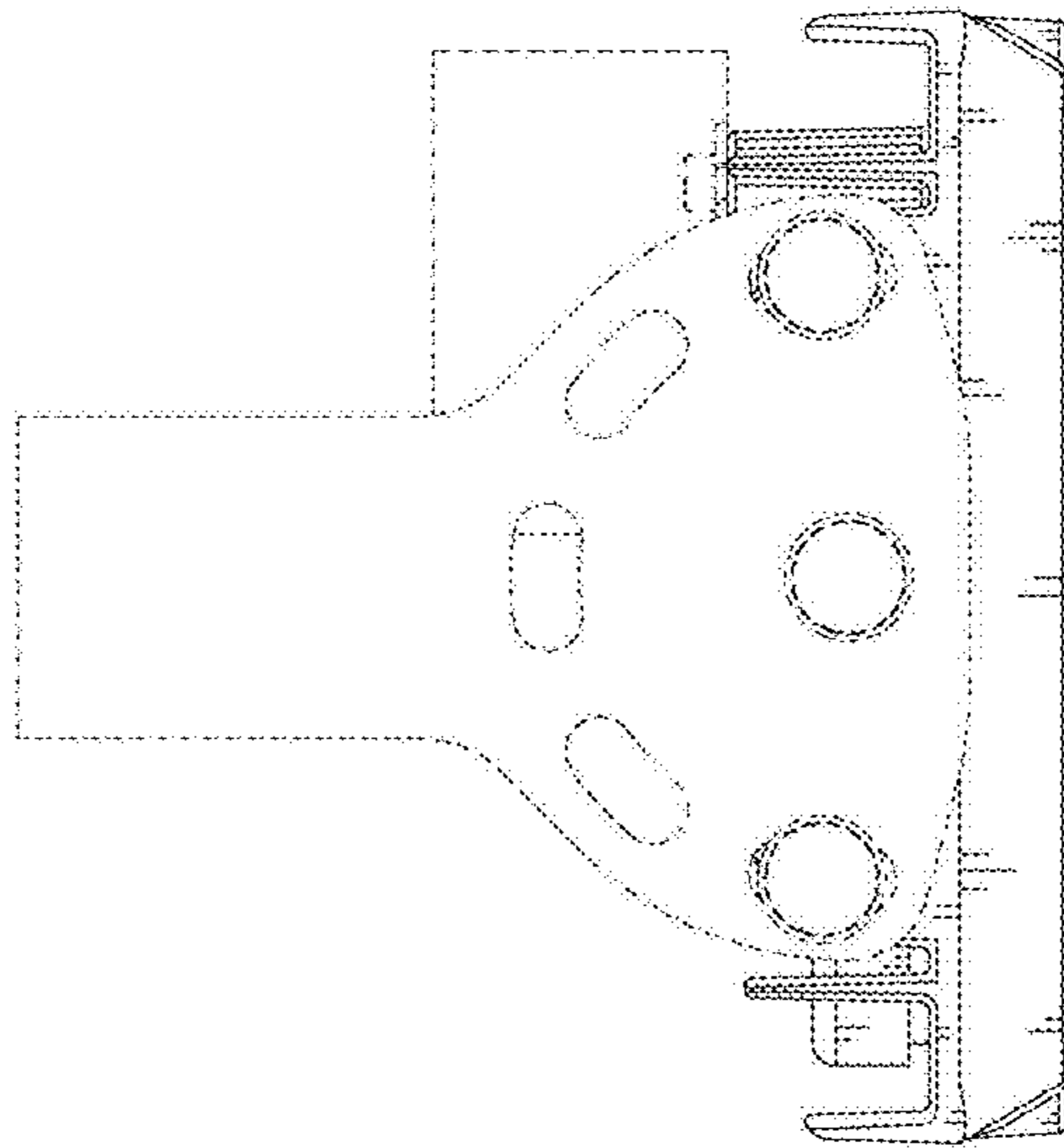


FIG. 6

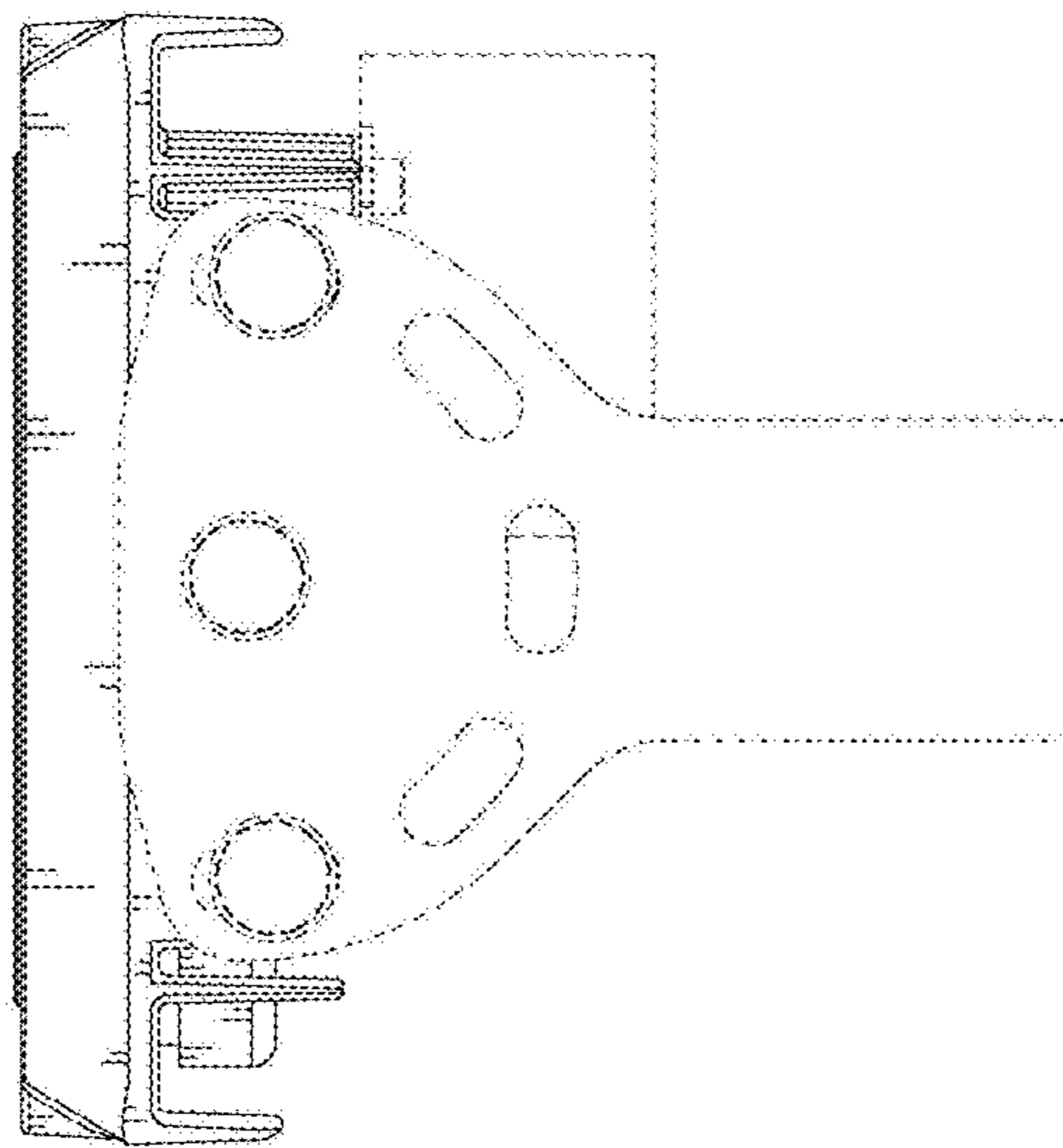


FIG. 7

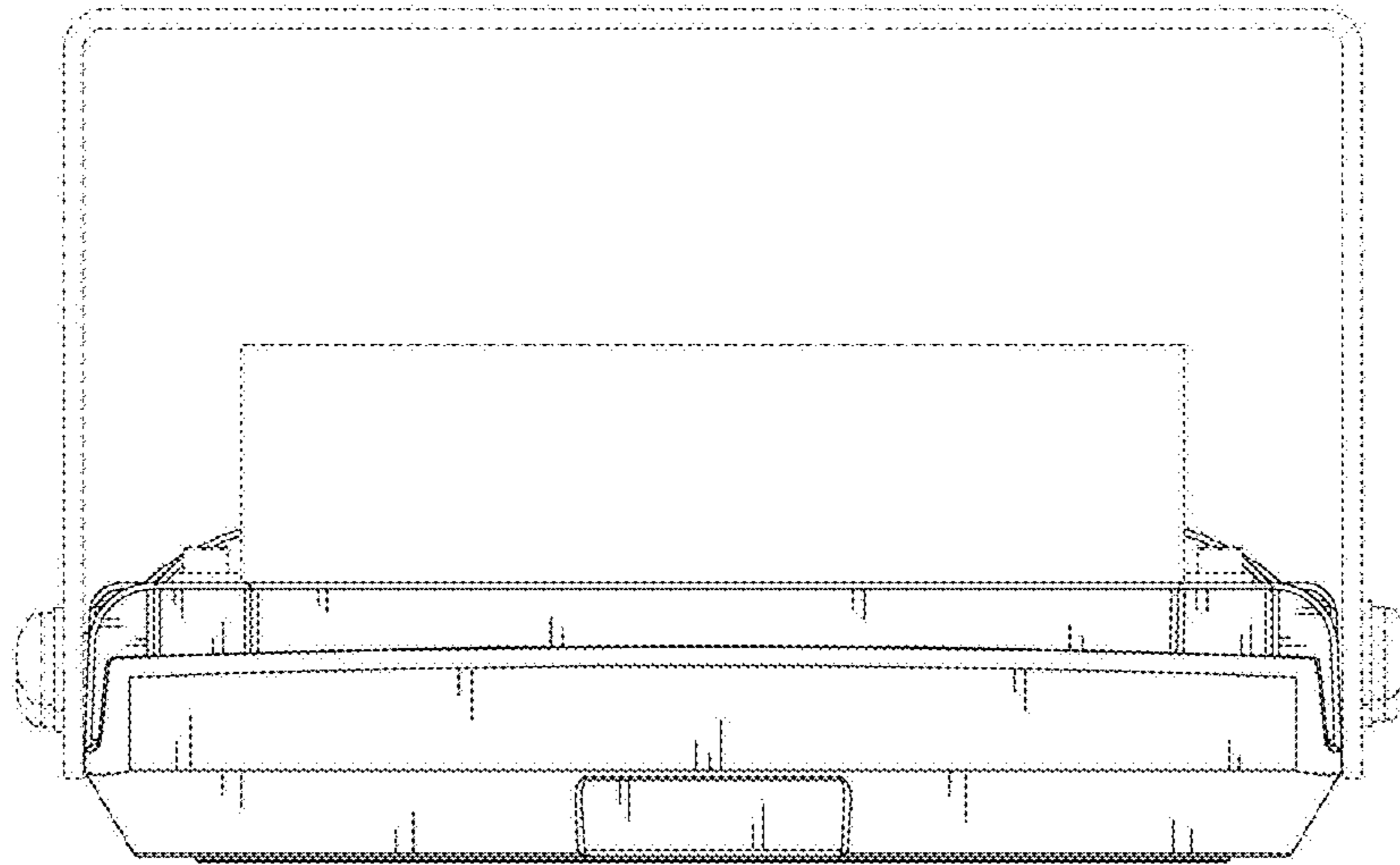


FIG. 8

