



US00D923225S

(12) **United States Design Patent**
Hu

(10) **Patent No.:** **US D923,225 S**

(45) **Date of Patent:** **** Jun. 22, 2021**

(54) **SOLAR GARDEN DECORATION LIGHT**

(71) Applicant: **Ningbo Exquisite Electrical Appliance Co., Ltd., Ningbo (CN)**

(72) Inventor: **Jianke Hu, Ningbo (CN)**

(73) Assignee: **Ningbo Exquisite Electrical Appliance Co., Ltd., Ningbo (CN)**

(**) Term: **15 Years**

(21) Appl. No.: **29/724,406**

(22) Filed: **Feb. 14, 2020**

(30) **Foreign Application Priority Data**

Aug. 16, 2019 (CN) 201930445894.9

(51) **LOC (13) Cl.** **26-05**

(52) **U.S. Cl.**
USPC **D26/63; D26/67**

(58) **Field of Classification Search**
USPC D10/111-115; D13/101, 102, 118;
D20/17; D26/10, 11, 12, 24, 31, 41, 46,
D26/51, 57, 60, 61, 63-72, 92, 93, 94
CPC .. F21S 8/003; F21S 8/006; F21S 8/081; F21S
8/083; F21S 9/03; F21S 9/032; F21S
9/035; F21S 9/037; F21S 10/005; G09F
2013/0495; G09F 2013/0404; G09F
2013/02; F21W 2131/023; F21W
2131/109

See application file for complete search history.

(56) **References Cited**

U.S. PATENT DOCUMENTS

5,065,291 A * 11/1991 Frost F21V 5/00
362/183
D322,862 S * 12/1991 Miller D26/24

D329,505 S * 9/1992 Miller D26/63
D619,751 S * 7/2010 Zemel D26/107
D670,838 S * 11/2012 Ueda D26/28
D810,342 S * 2/2018 Chen D26/68
D839,472 S * 1/2019 Hu D26/118
D866,637 S * 11/2019 Xie D16/203
D875,289 S * 2/2020 Hu D26/63
D885,632 S * 5/2020 Chen D26/67
D887,059 S * 6/2020 Liu D26/63
D903,921 S * 12/2020 Zhuo D26/63
D905,312 S * 12/2020 Zhuo D26/63

* cited by examiner

Primary Examiner — Kevin K Rudzinski

Assistant Examiner — Richard Kearney

(74) *Attorney, Agent, or Firm* — Muncy, Geissler, Olds & Lowe, P.C.

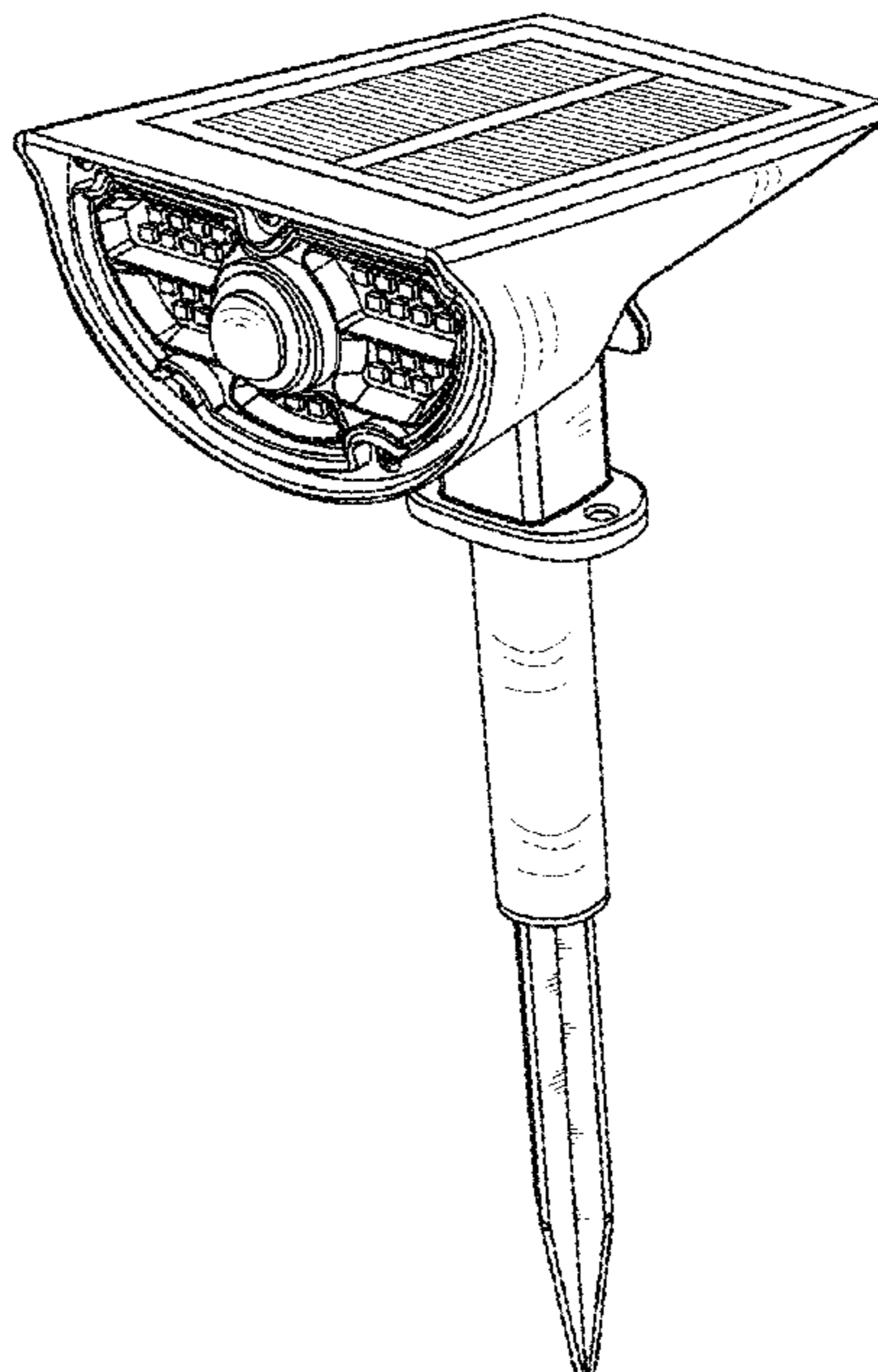
(57) **CLAIM**

The ornamental design for a solar garden decoration light, as shown and described.

DESCRIPTION

FIG. 1 is a front elevational view a solar garden decoration light showing my new design;
FIG. 2 is a rear elevational view thereof;
FIG. 3 is a left side view thereof;
FIG. 4 is a right side view thereof;
FIG. 5 is a top plan view thereof;
FIG. 6 is a bottom plan view thereof; and,
FIG. 7 is perspective view thereof.
The broken lines show portions of the solar garden decoration light that form no part of the claimed design.

1 Claim, 7 Drawing Sheets



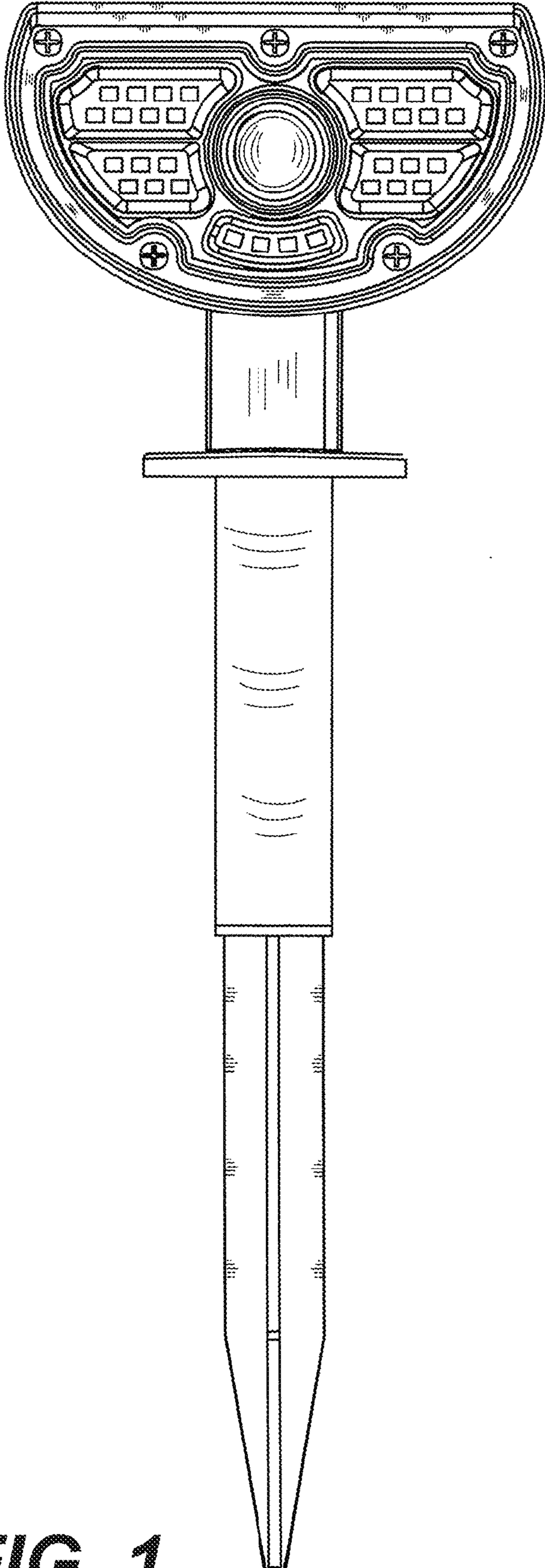


FIG. 1

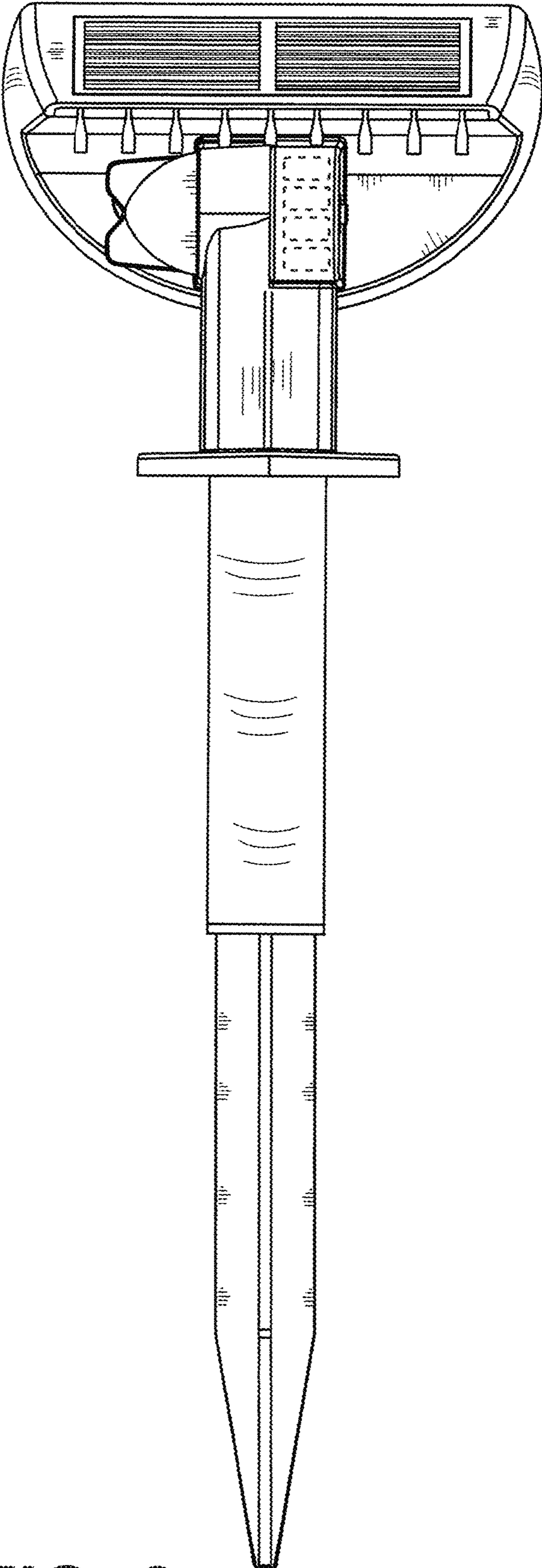


FIG. 2

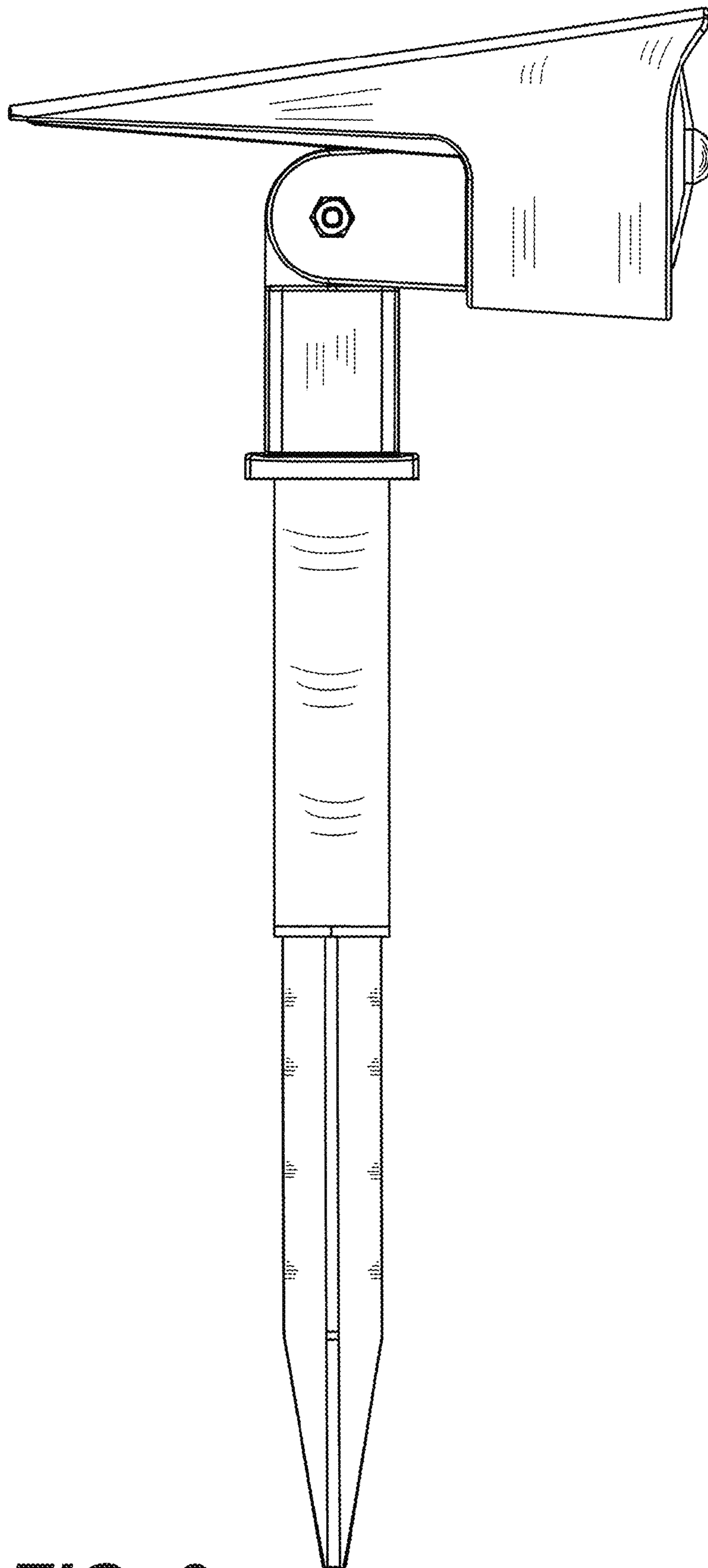


FIG. 3

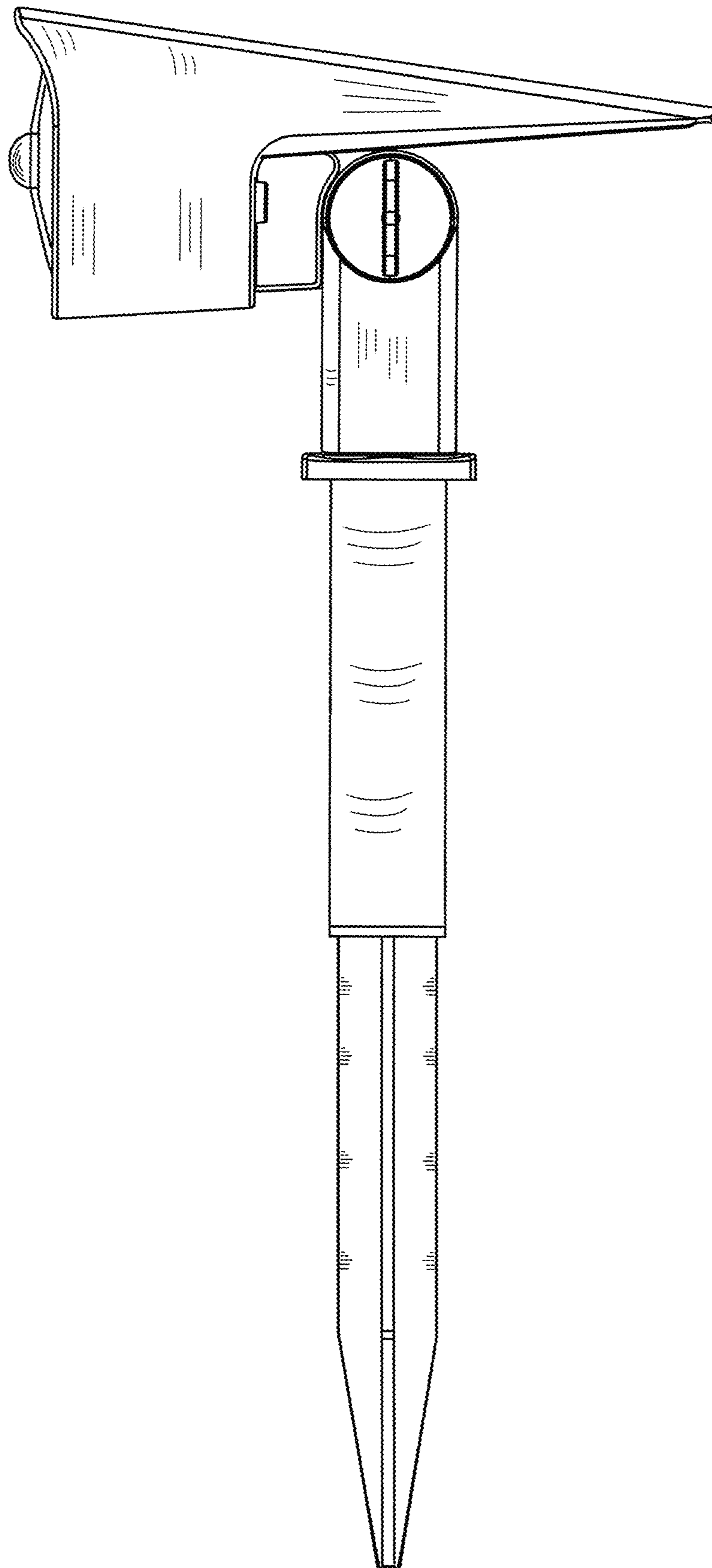


FIG. 4

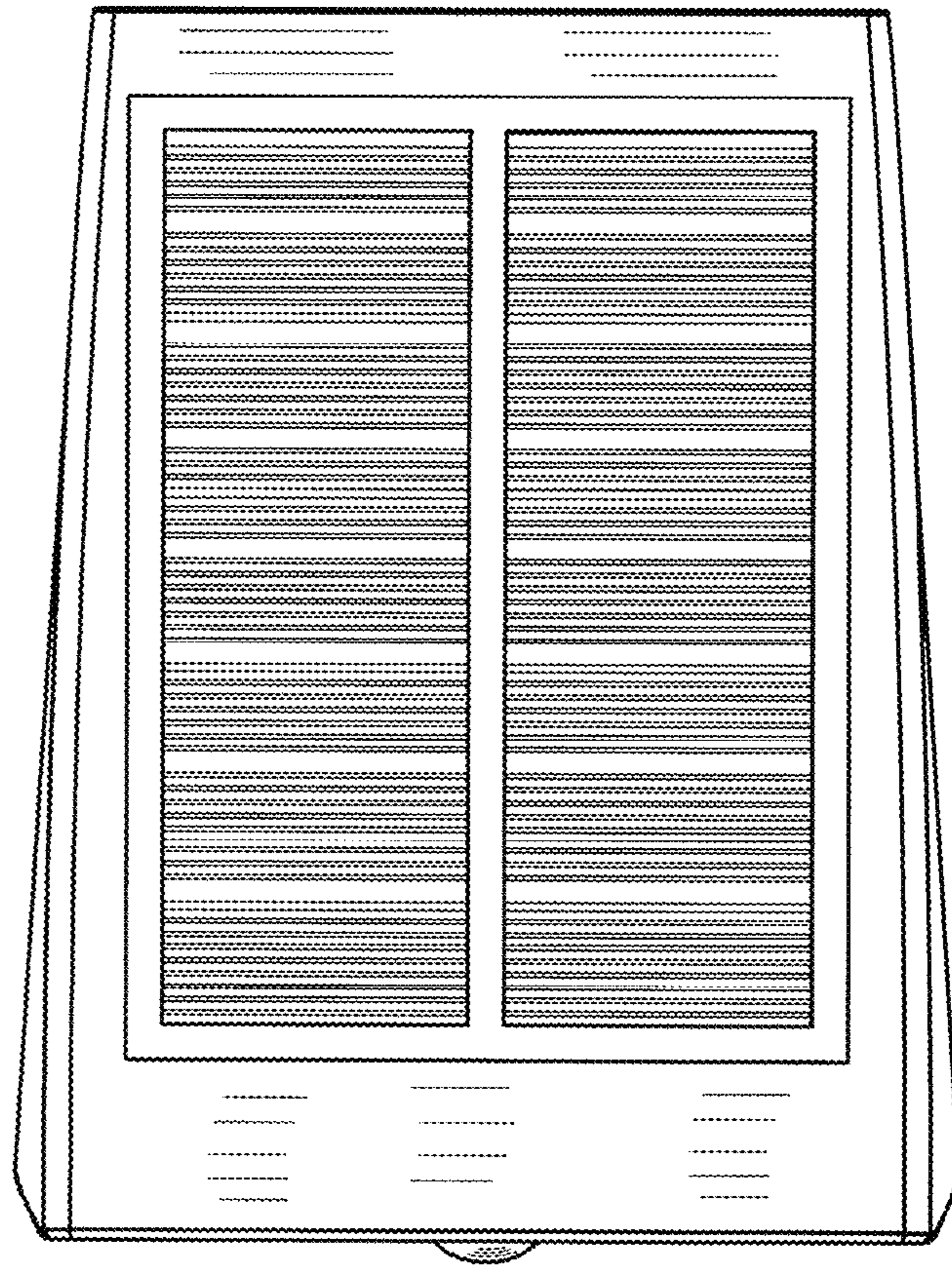


FIG. 5

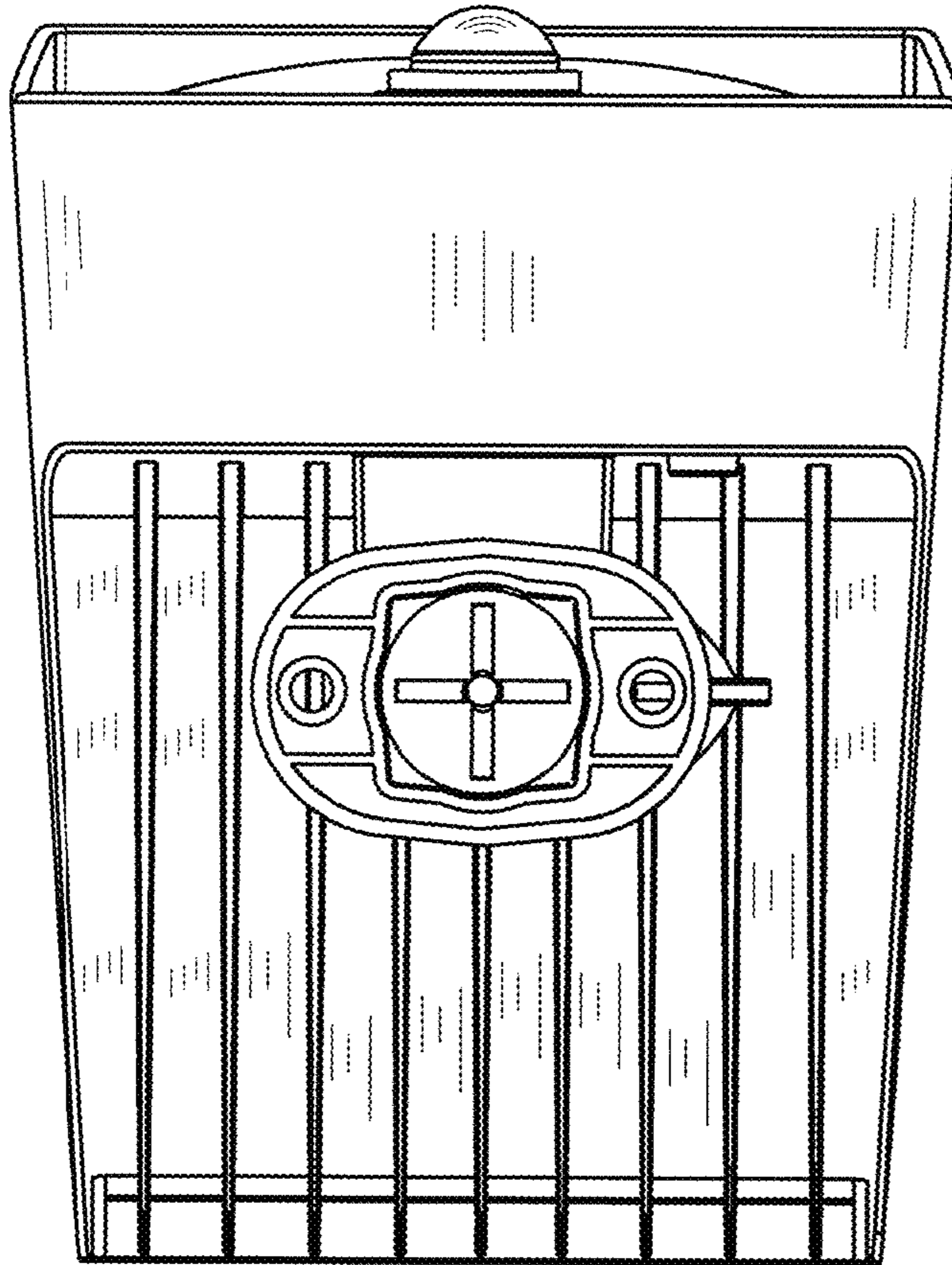


FIG. 6

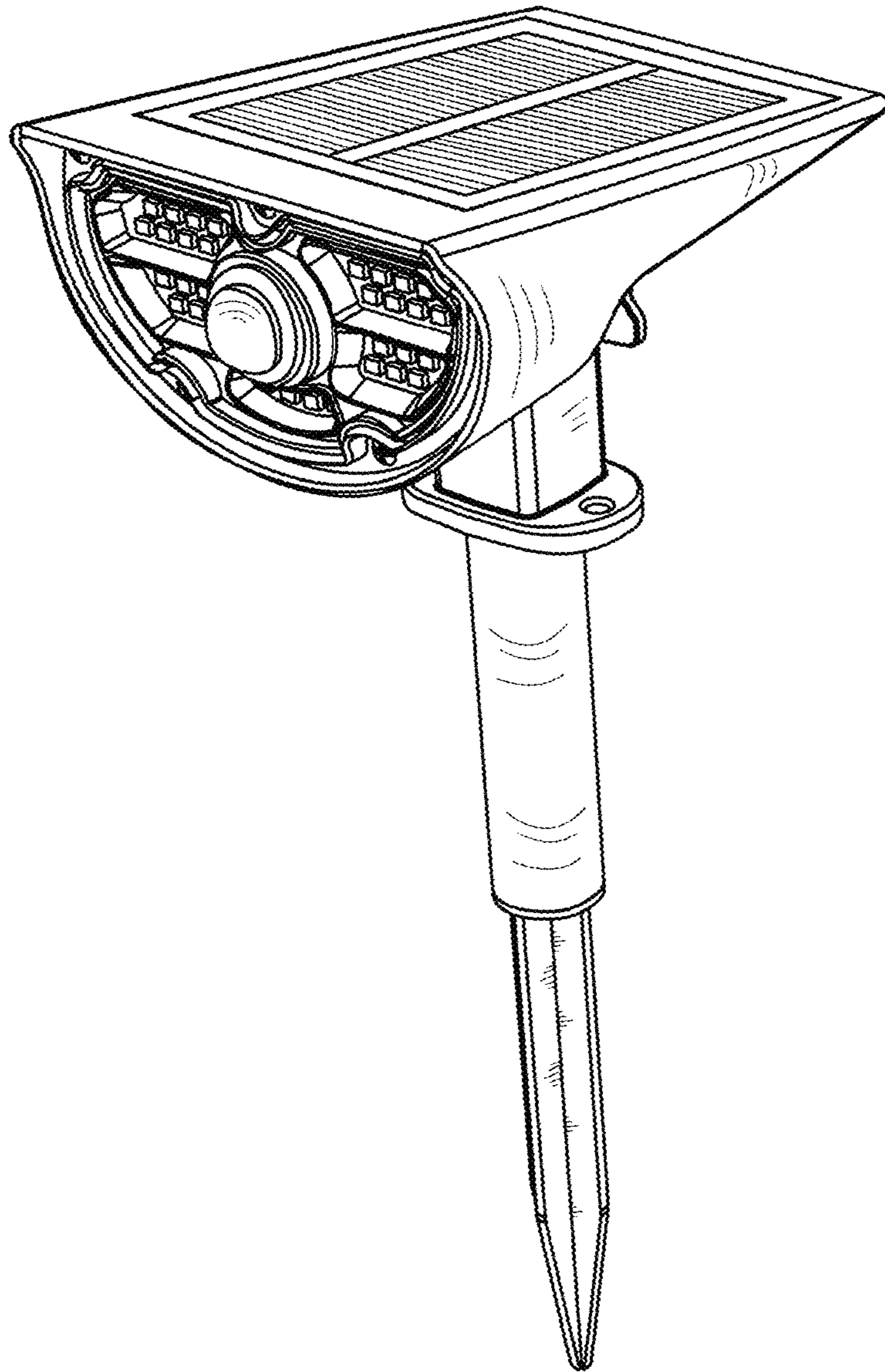


FIG. 7