



US00D923224S

(12) **United States Design Patent**
Zhang

(10) **Patent No.:** **US D923,224 S**

(45) **Date of Patent:** **** Jun. 22, 2021**

(54) **LED LIGHTING DEVICE**

D824,580 S * 7/2018 Hu D26/60
D825,823 S * 8/2018 Ren D26/60
D899,654 S * 10/2020 Zhou D26/60

(71) Applicant: **Weiyong Zhang**, Guangdong (CN)

* cited by examiner

(72) Inventor: **Weiyong Zhang**, Guangdong (CN)

Primary Examiner — Brian N. Vinson

(**) Term: **15 Years**

(57) **CLAIM**

(21) Appl. No.: **29/733,990**

The ornamental design for an LED lighting device, as shown and described.

(22) Filed: **May 8, 2020**

DESCRIPTION

(51) **LOC (13) Cl.** **26-03**

(52) **U.S. Cl.**
USPC **D26/60**

(58) **Field of Classification Search**
USPC D26/60, 62
CPC F21V 21/00; F21V 21/08; F21V 21/088;
F21V 21/0885; F21W 2131/2005
See application file for complete search history.

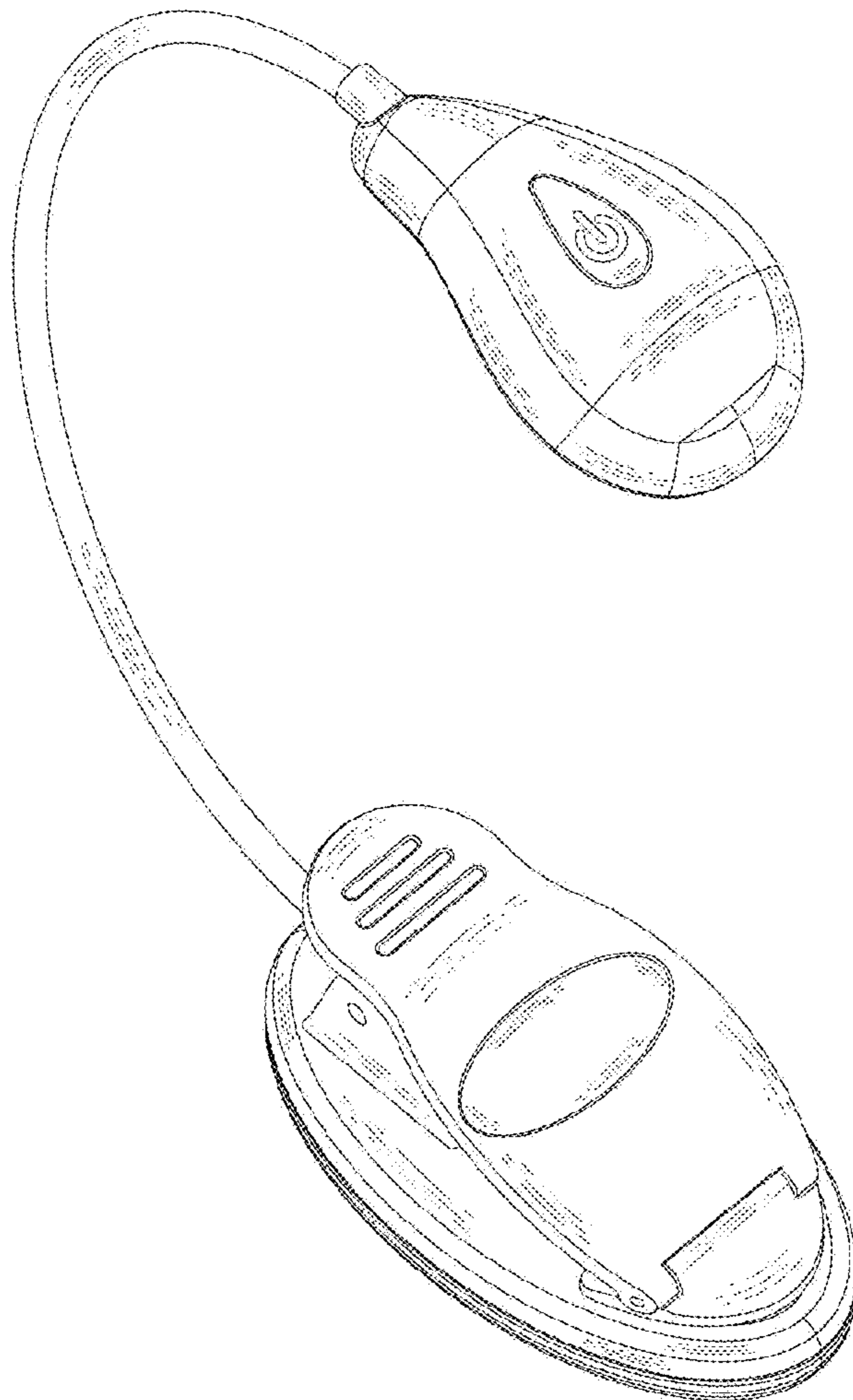
FIG. 1 is a top perspective view of an LED lighting device showing my new design;
FIG. 2 is a bottom perspective view thereof;
FIG. 3 is a front elevation view thereof;
FIG. 4 is a rear elevation view thereof;
FIG. 5 is a left side elevation view thereof;
FIG. 6 is a right side elevation view thereof;
FIG. 7 is a top plan view thereof, shown enlarged in scale;
and,
FIG. 8 is a bottom plan view thereof, shown enlarged in scale.

(56) **References Cited**

U.S. PATENT DOCUMENTS

D498,322 S * 11/2004 Schnell D26/60
D590,533 S * 4/2009 Li D26/60

1 Claim, 8 Drawing Sheets



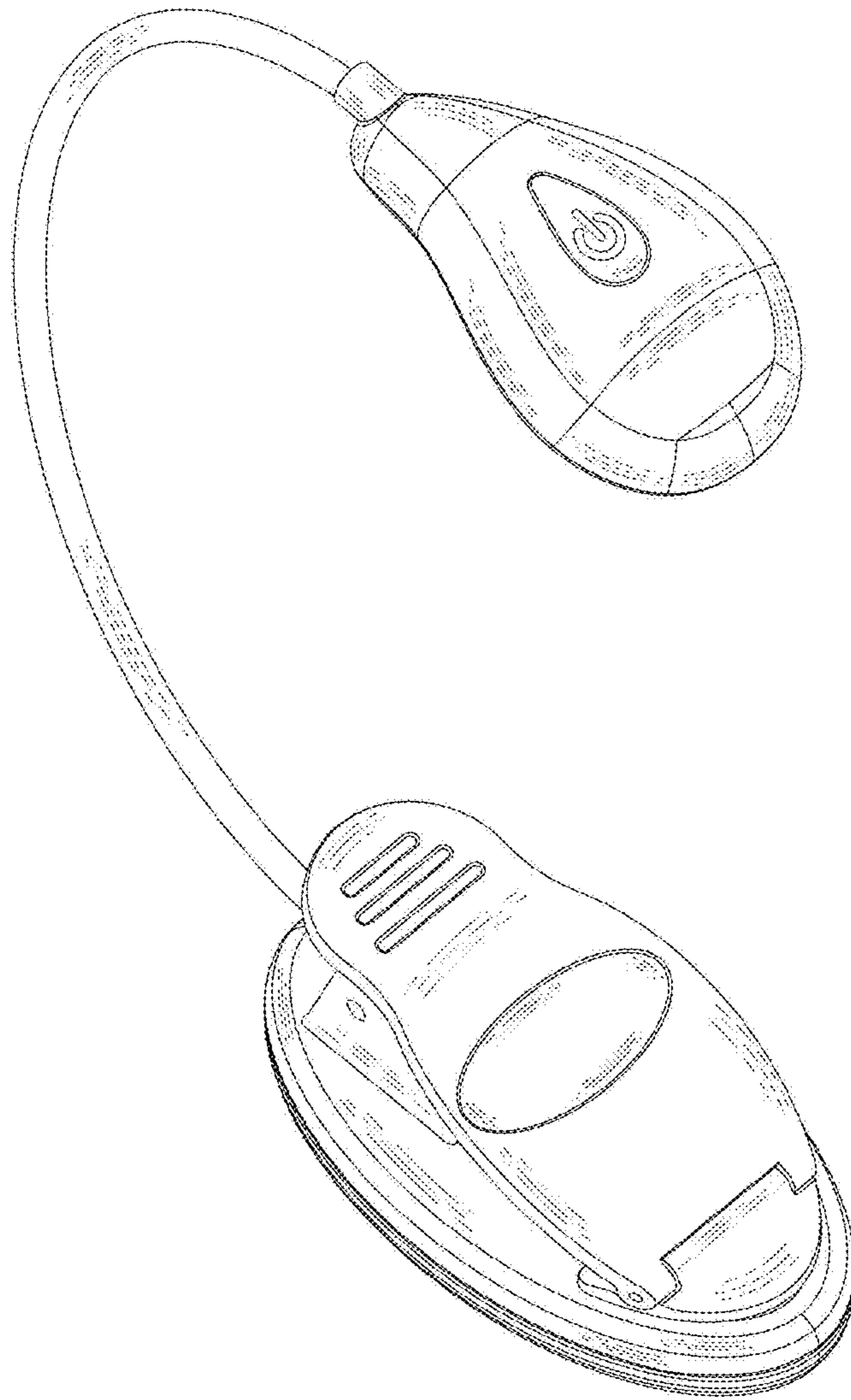


FIG.1

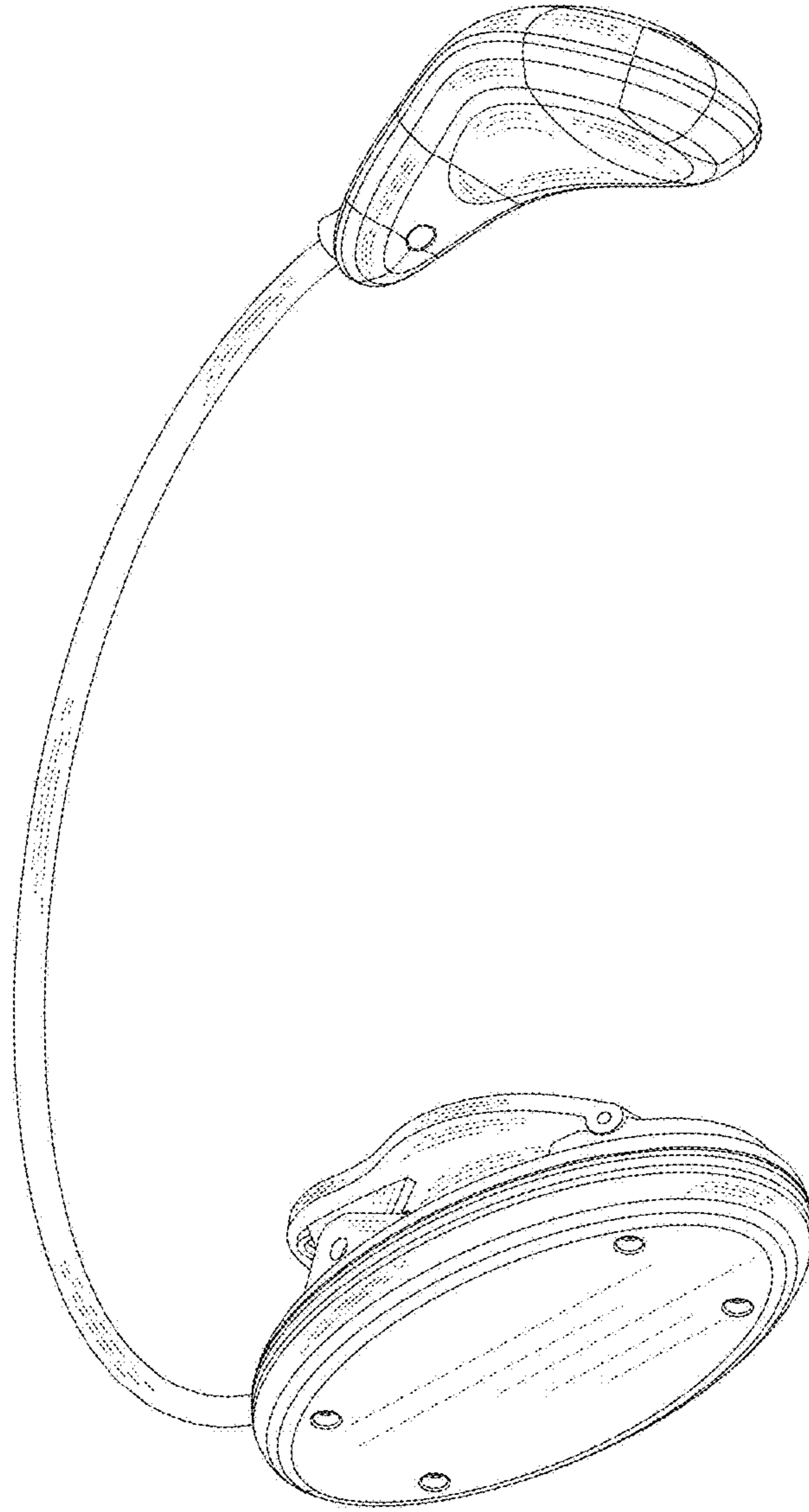


FIG.2

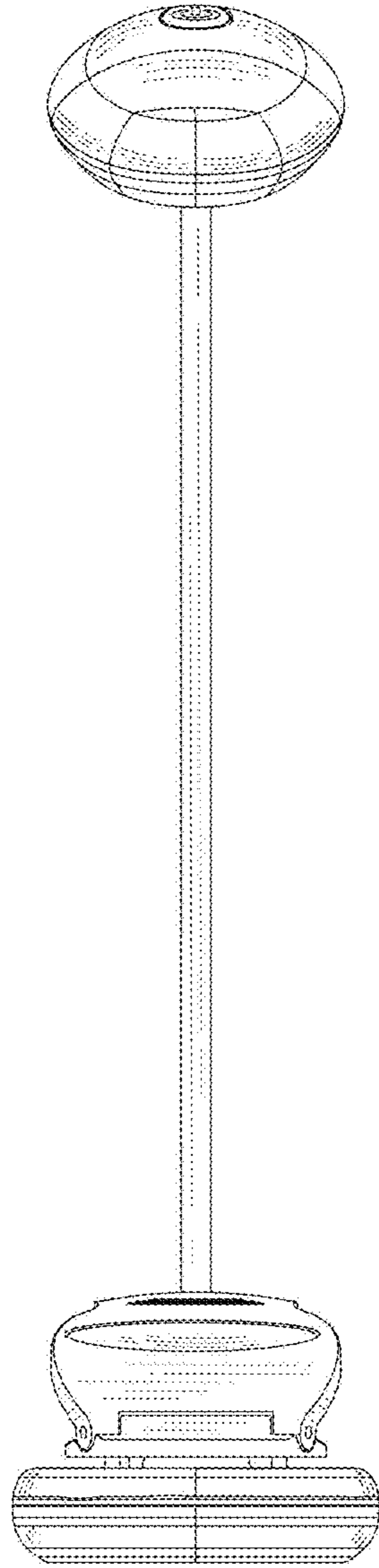


FIG.3

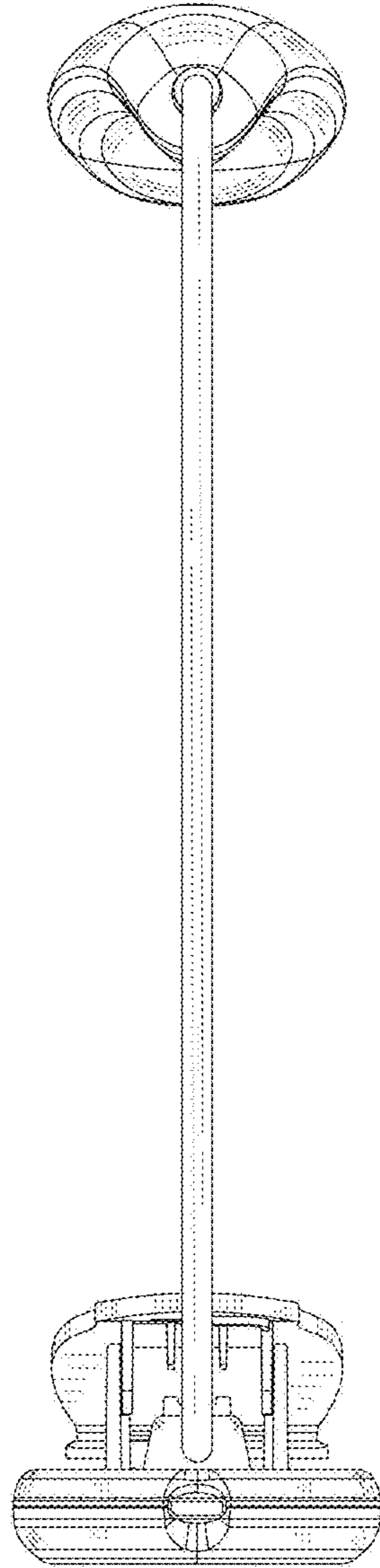


FIG.4

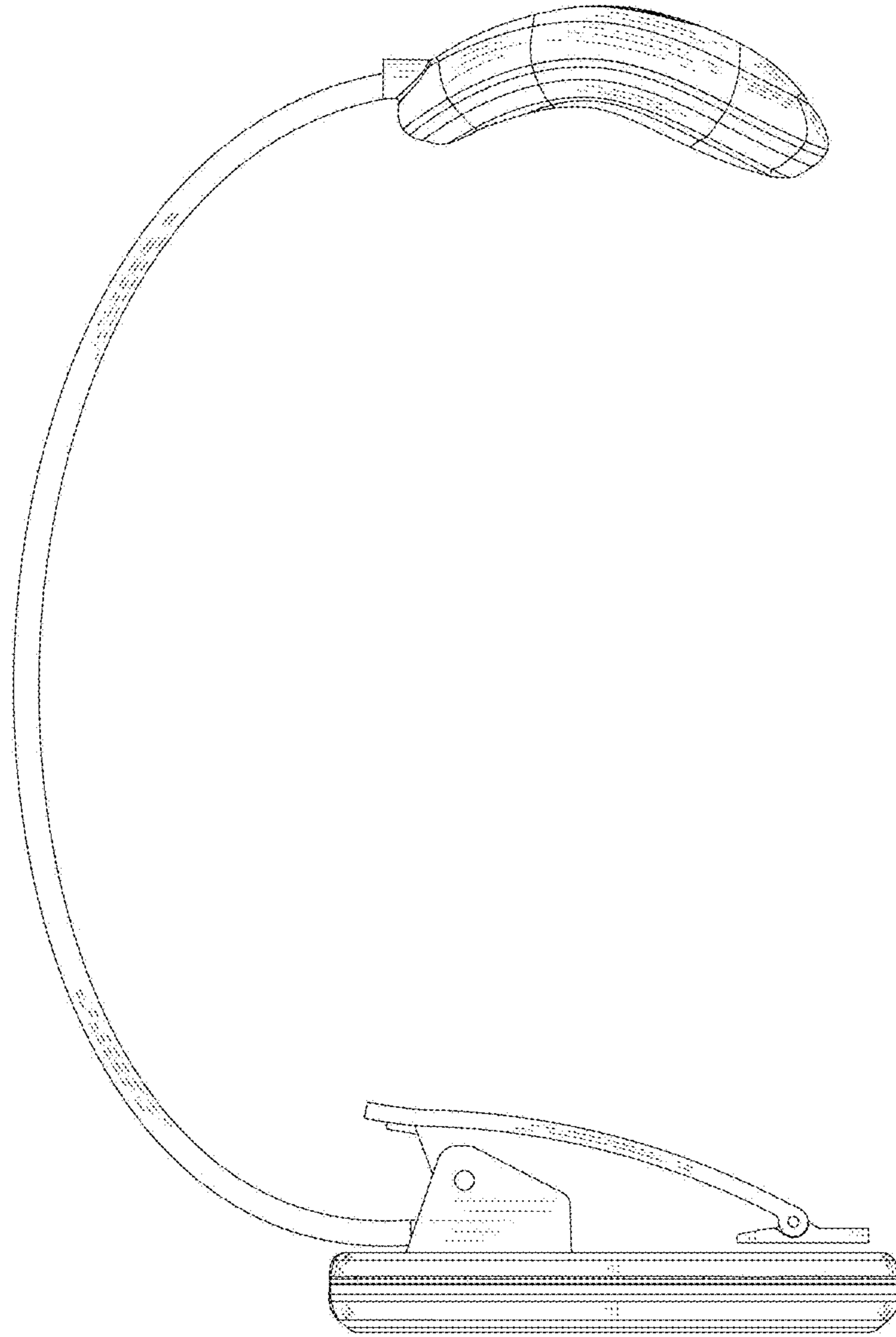


FIG.5

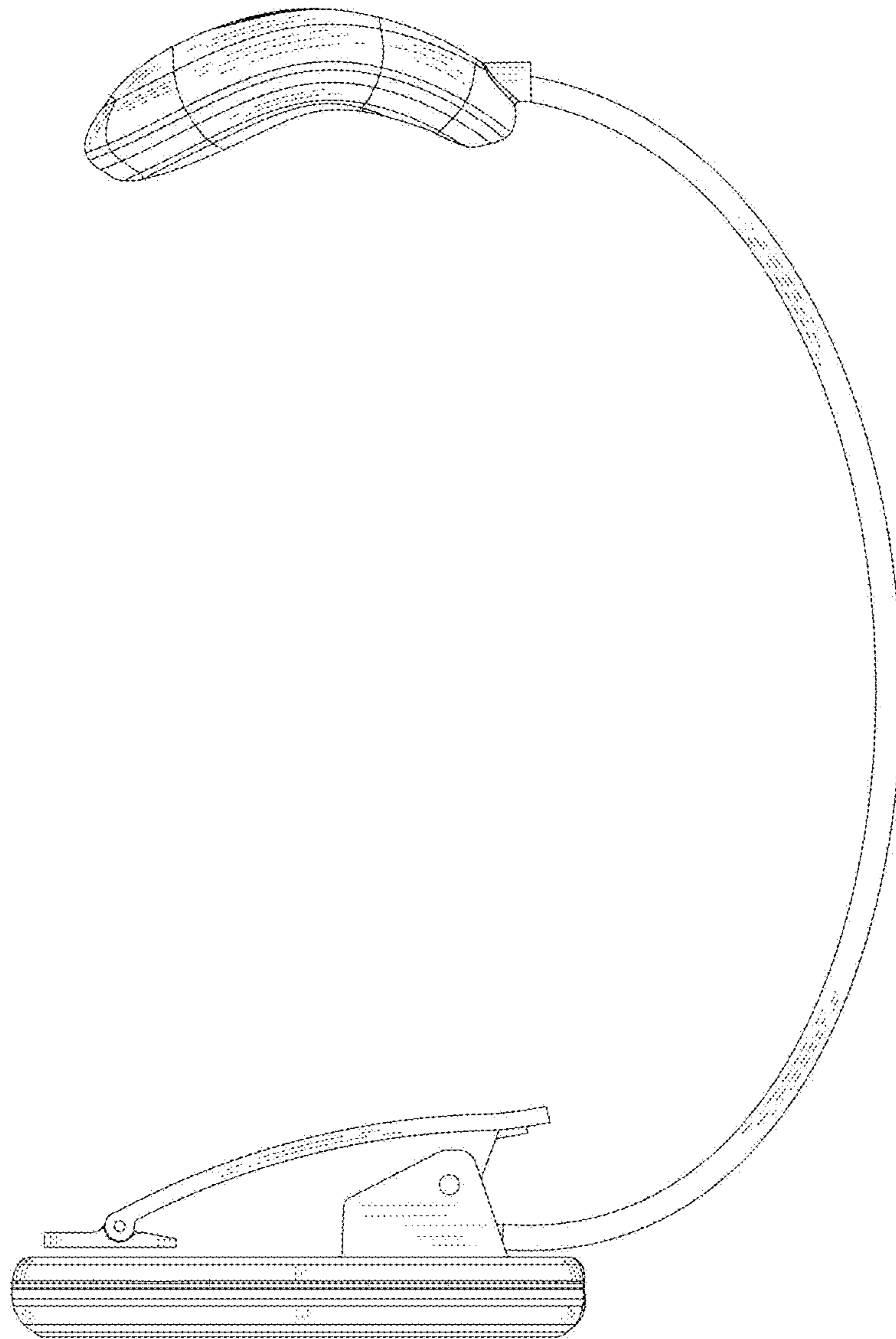


FIG.6

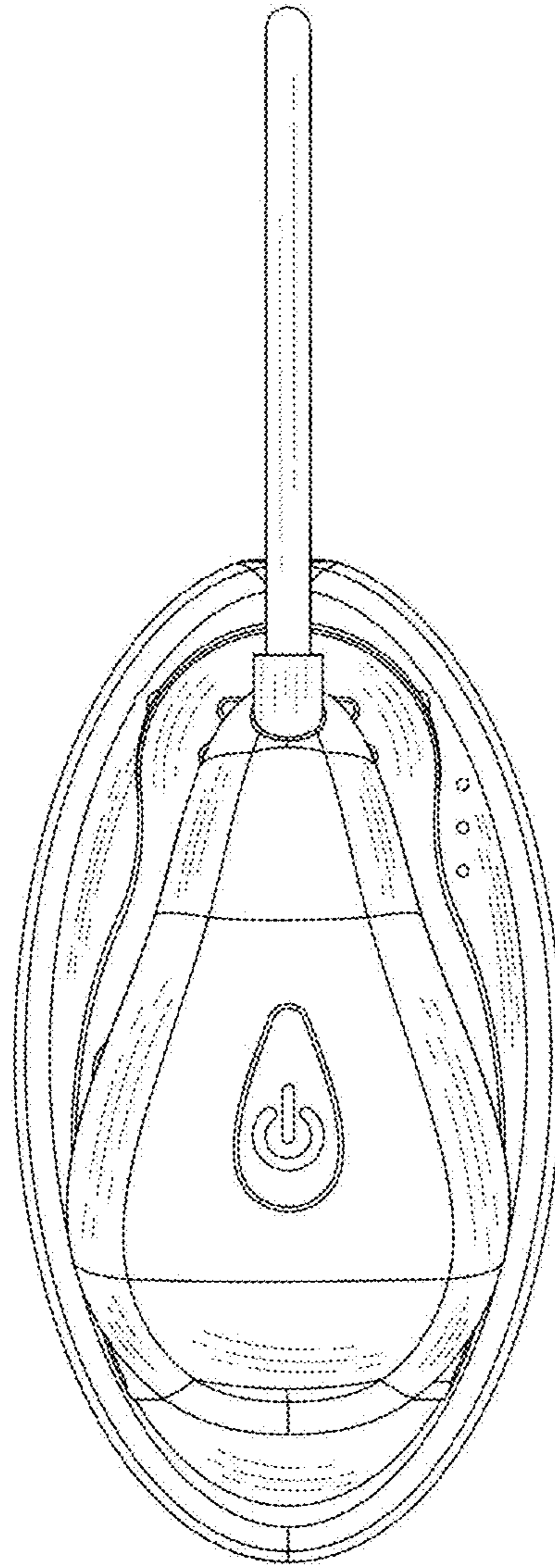


FIG. 7

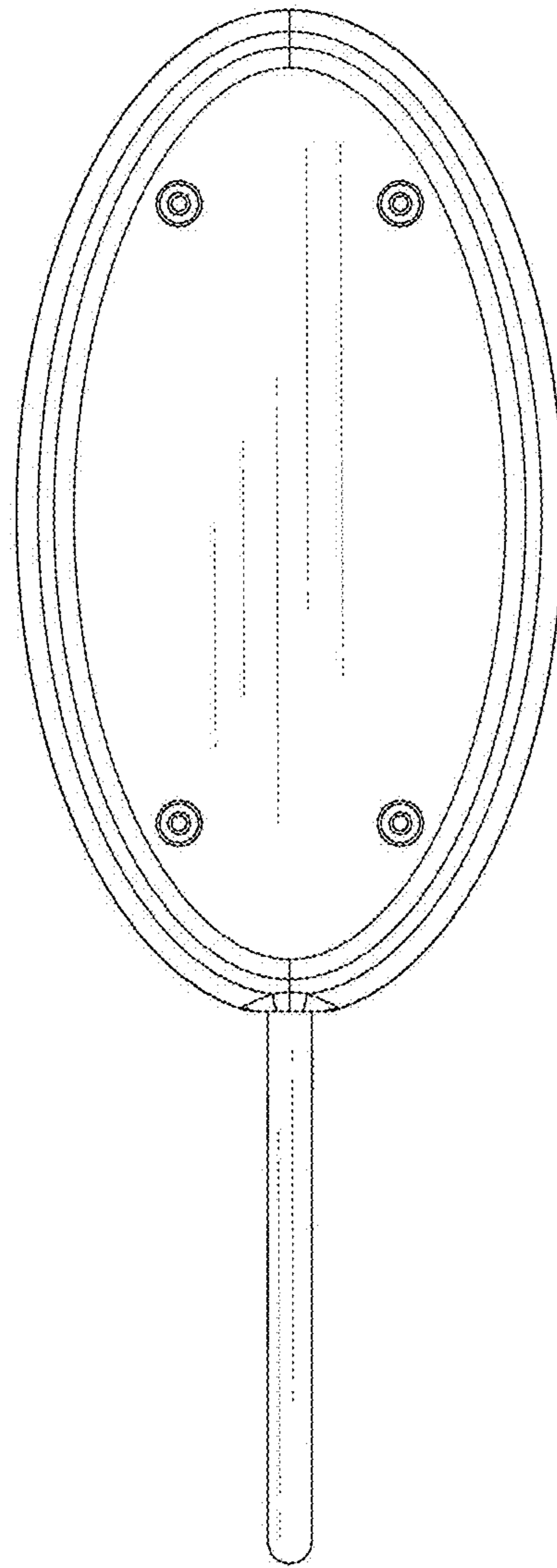


FIG. 8