



US00D923223S

(12) **United States Design Patent** (10) **Patent No.:** **US D923,223 S**  
**Bao** (45) **Date of Patent:** **\*\* Jun. 22, 2021**

(54) **WORK LAMP** 7,699,492 B2 \* 4/2010 Levine ..... F21V 21/0885  
362/191  
(71) Applicant: **YUYAO YUCHANG ELECTRICAL** D670,845 S \* 11/2012 Hsu ..... D26/60  
**APPLIANCE CO., LTD., Zhejiang** D786,660 S \* 5/2017 Cacciabeve ..... D26/60  
(CN)  
\* cited by examiner

(72) Inventor: **Yong Bao, Zhejiang (CN)** *Primary Examiner* — Brian N. Vinson  
(74) *Attorney, Agent, or Firm* — JCIPRNET

(73) Assignee: **YUYAO YUCHANG ELECTRICAL**  
**APPLIANCE CO., LTD., Zhejiang**  
(CN)

(\*\*) Term: **15 Years**

(21) Appl. No.: **29/724,559**

(22) Filed: **Feb. 18, 2020**

(30) **Foreign Application Priority Data**

Oct. 15, 2019 (CN) ..... 201930560347.5

(51) **LOC (13) Cl.** ..... **26-03**

(52) **U.S. Cl.**  
USPC ..... **D26/60**

(58) **Field of Classification Search**  
USPC ..... D26/60, 61, 63, 64, 65  
CPC ..... F21V 17/02; F21V 21/28; F21V 21/26;  
F21V 21/06; F21V 21/00; F21W 2131/30;  
F21W 2131/10; F21S 8/024; F21S 6/003;  
F21S 8/003; F21S 8/00; F21F 6/00  
See application file for complete search history.

(56) **References Cited**

U.S. PATENT DOCUMENTS

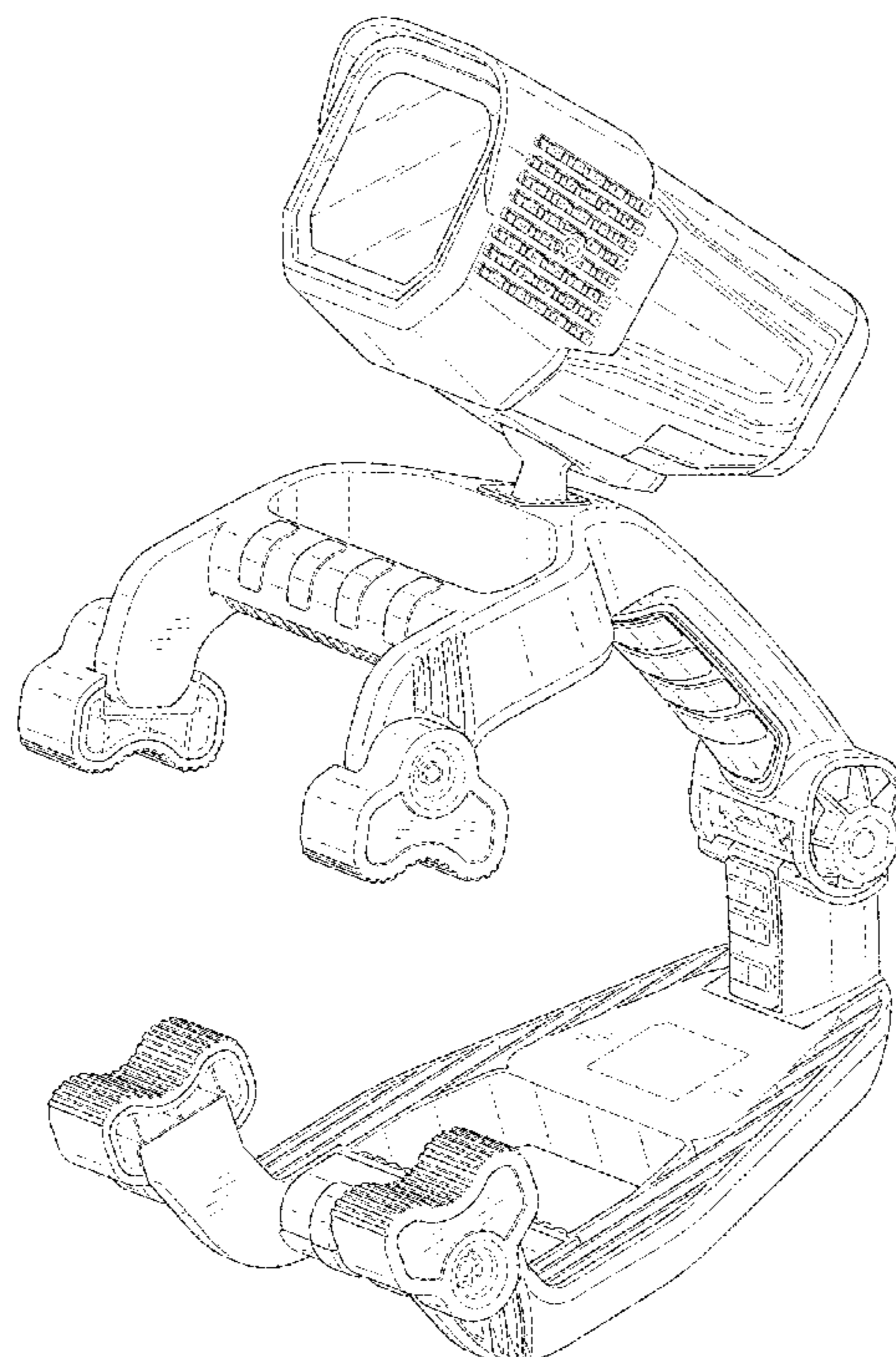
D367,540 S \* 2/1996 Lee ..... D26/63

(57) **CLAIM**  
The ornamental design for a work lamp, as shown and described.

**DESCRIPTION**

FIG. 1 is a perspective view of a work lamp showing my new design;  
FIG. 2 is a front view thereof;  
FIG. 3 is a rear view thereof;  
FIG. 4 is a left side view thereof;  
FIG. 5 is a right side view thereof;  
FIG. 6 is a top view thereof;  
FIG. 7 is a bottom view thereof;  
FIG. 8 is a perspective view thereof, being in a changed state;  
FIG. 9 is a perspective view thereof, being in another changed state; and,  
FIG. 10 is a perspective view thereof, being in still another changed state.  
The dashed broken lines illustrate portions of the work lamp that form no part of the claimed design.

**1 Claim, 10 Drawing Sheets**



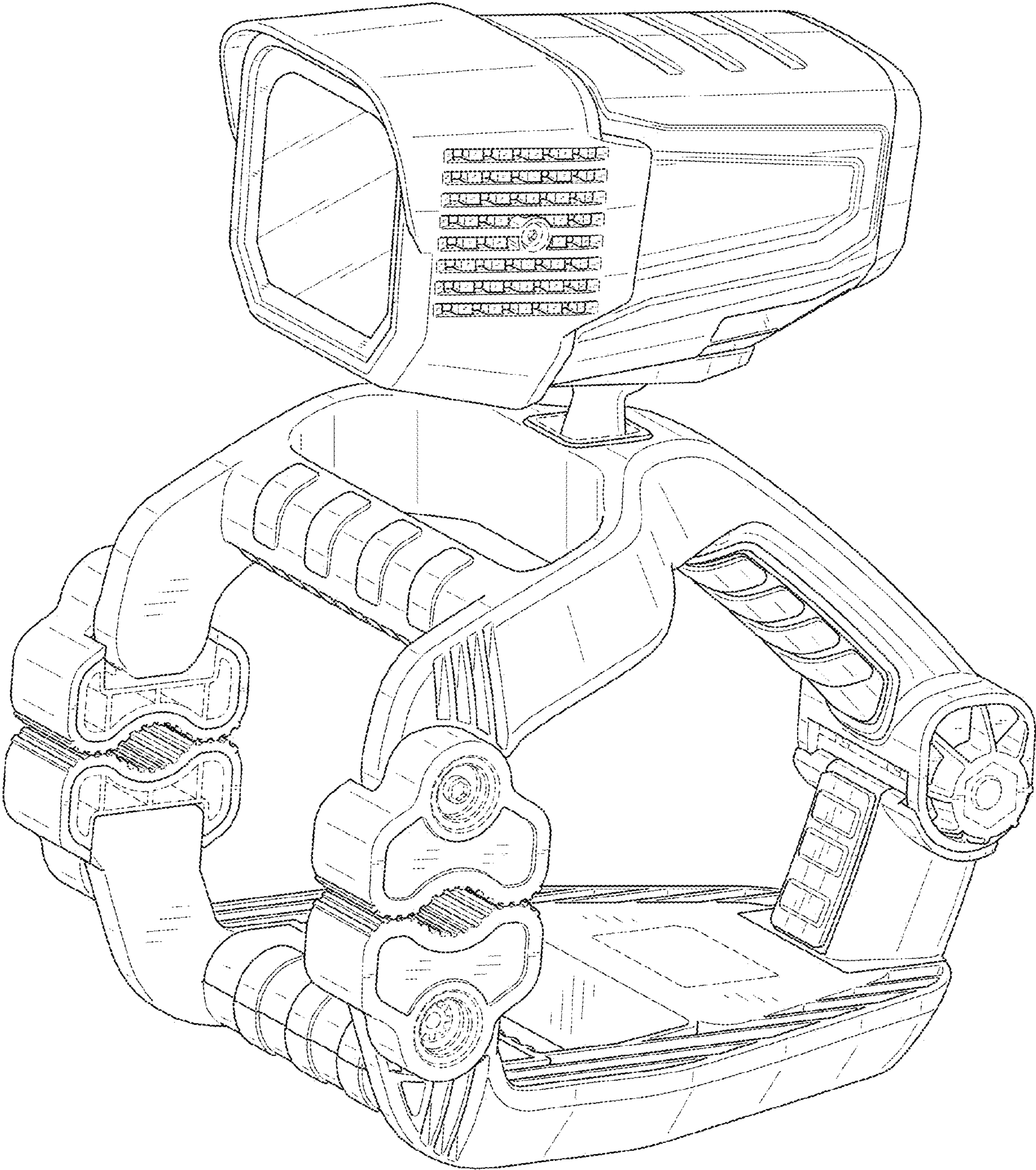


FIG. 1



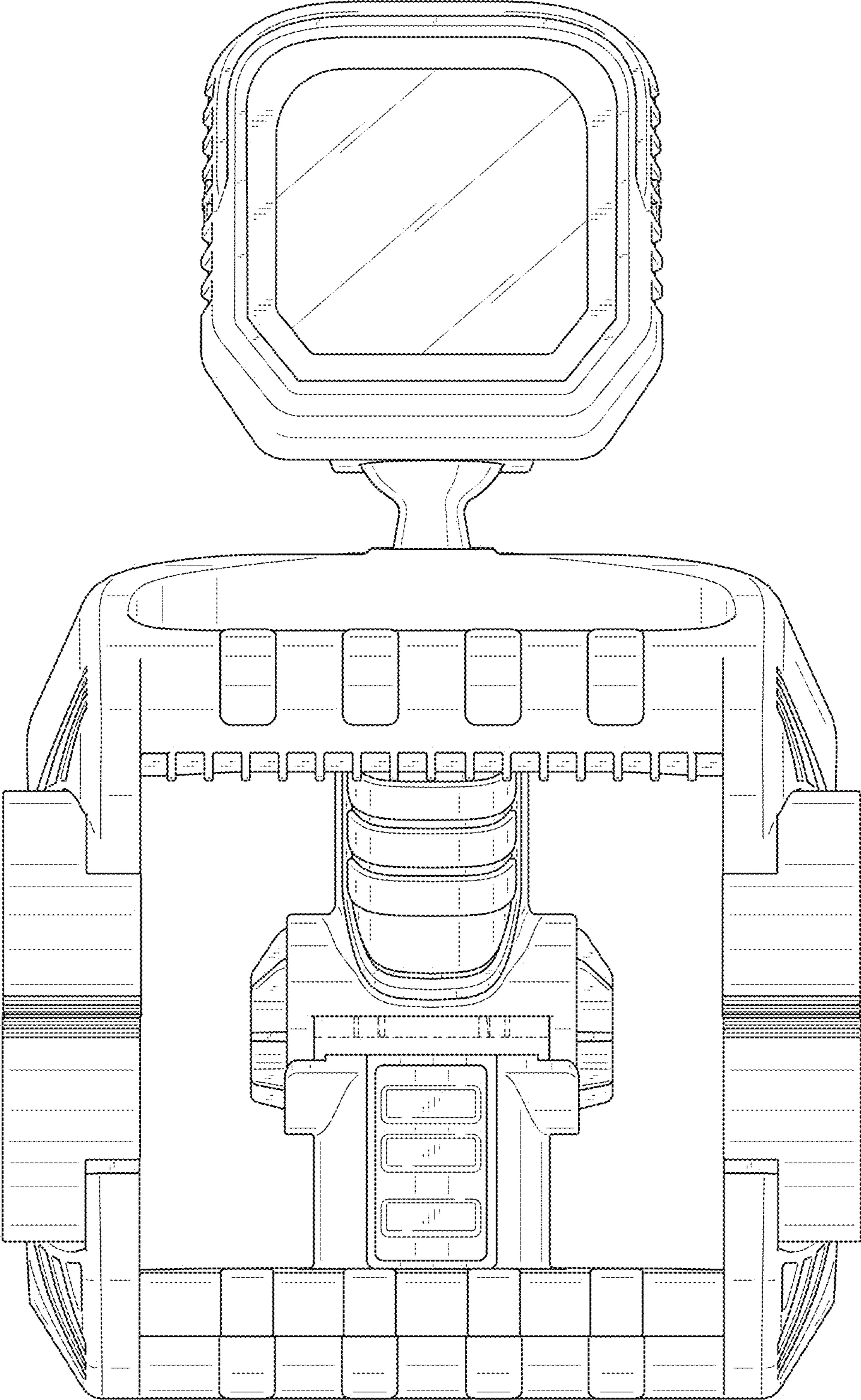


FIG. 2

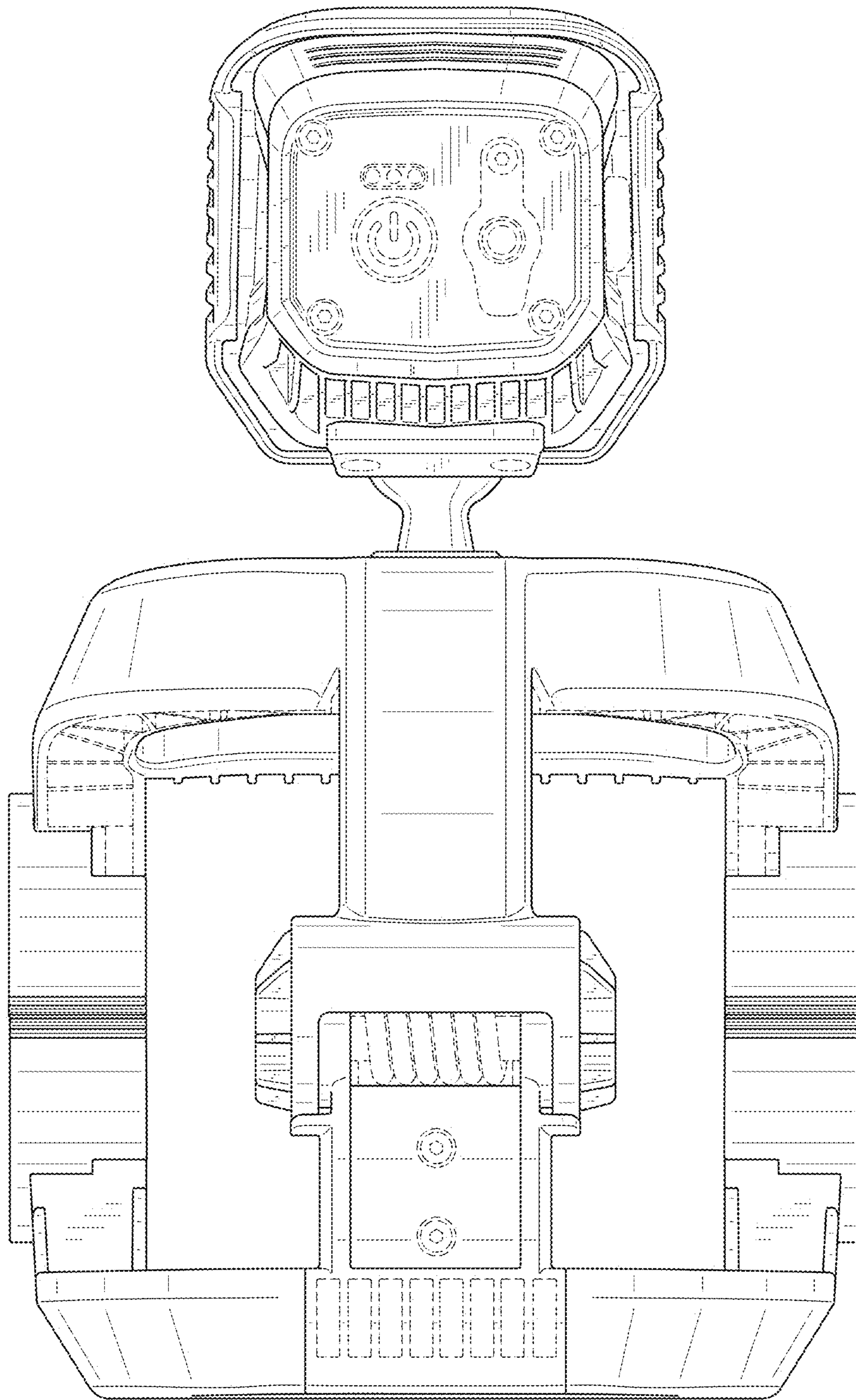


FIG. 3

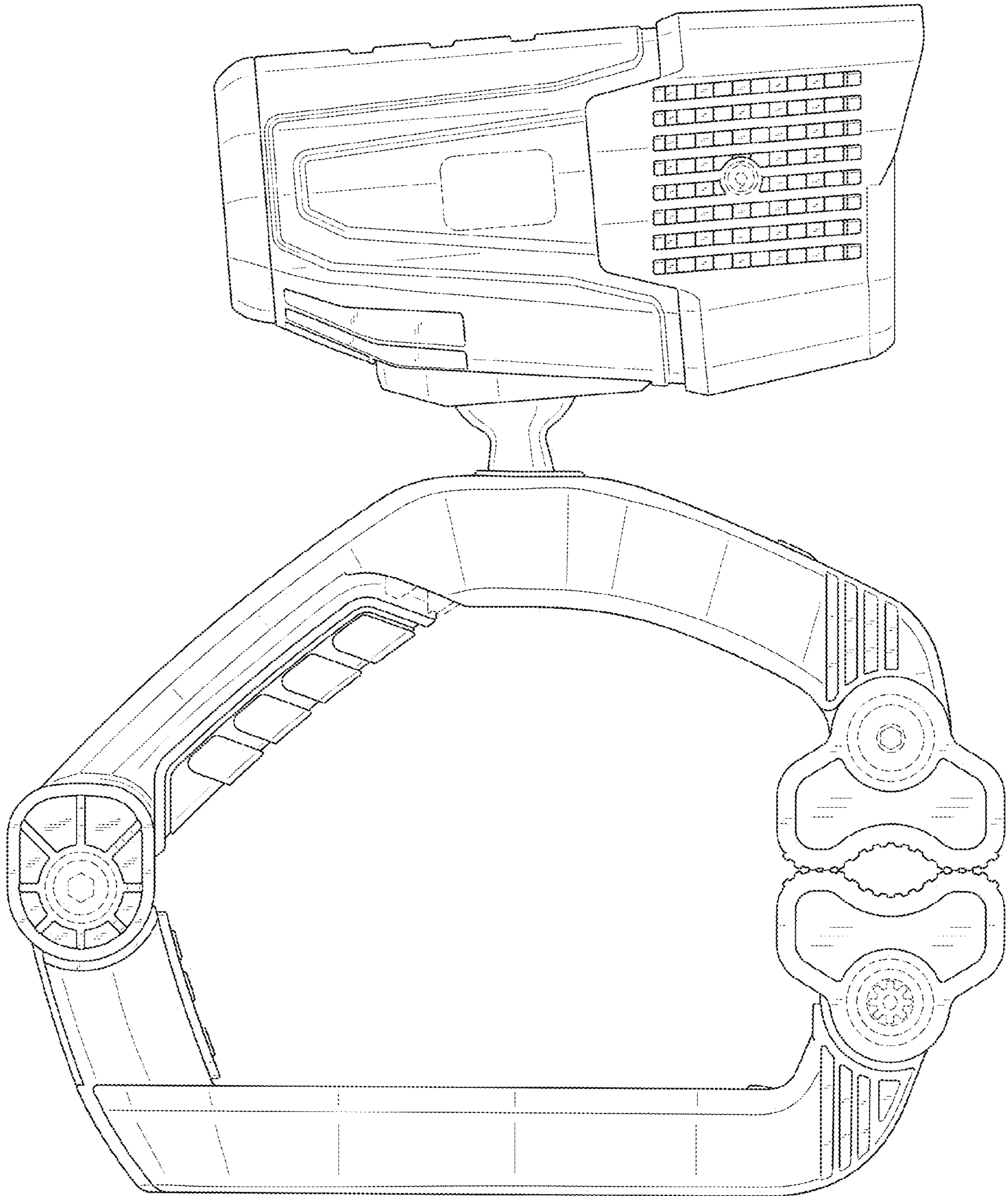


FIG. 4



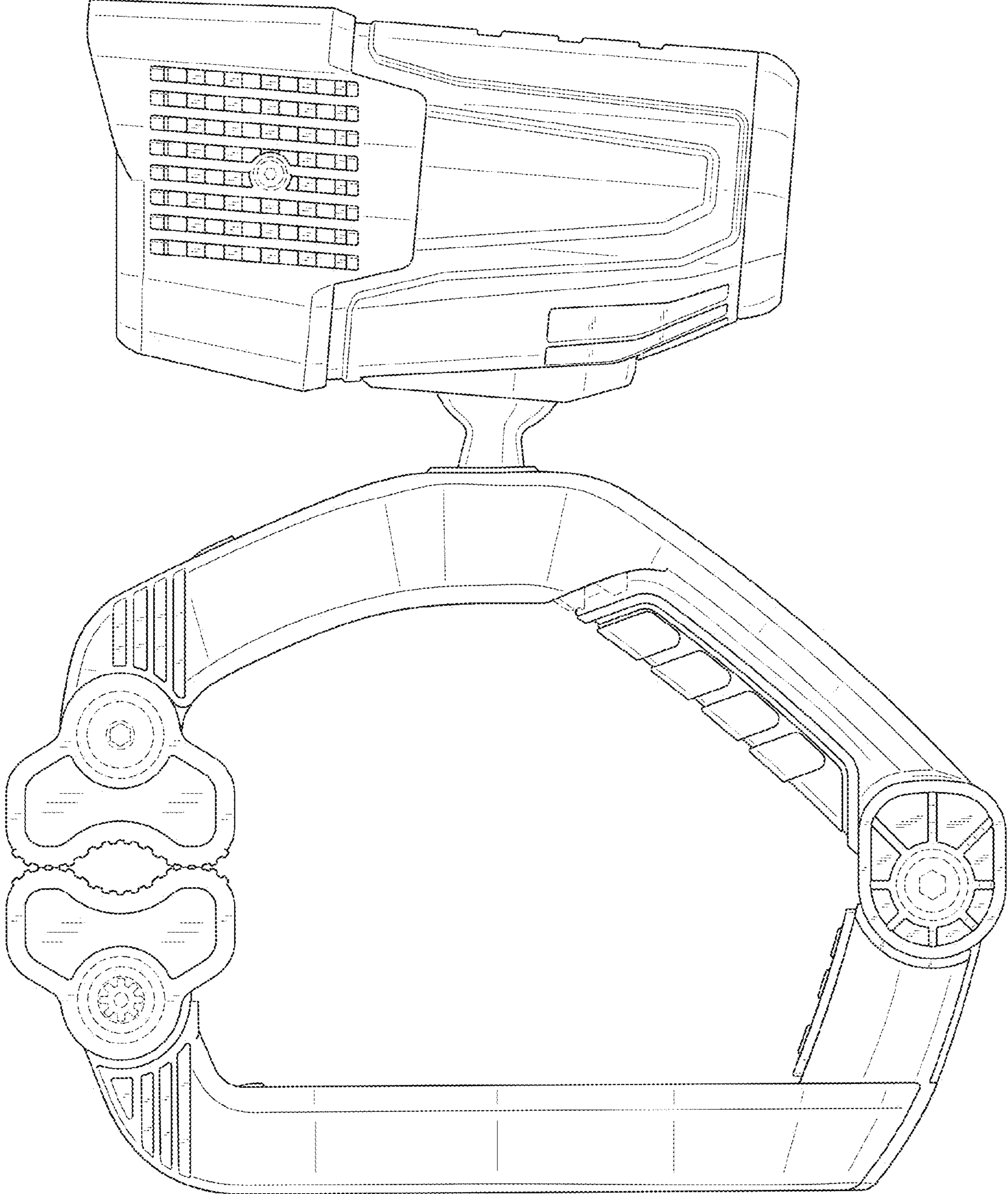


FIG. 5

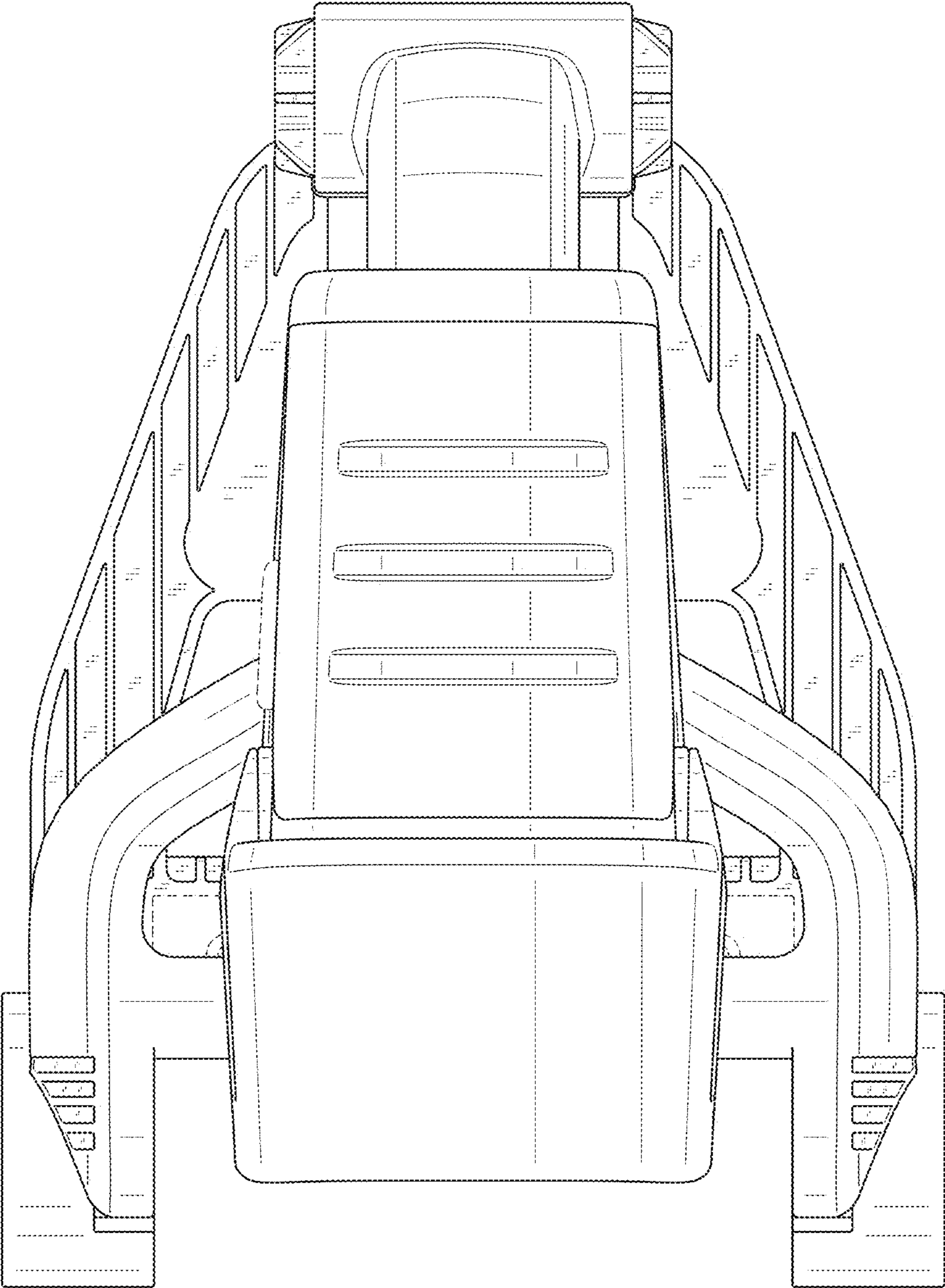


FIG. 6

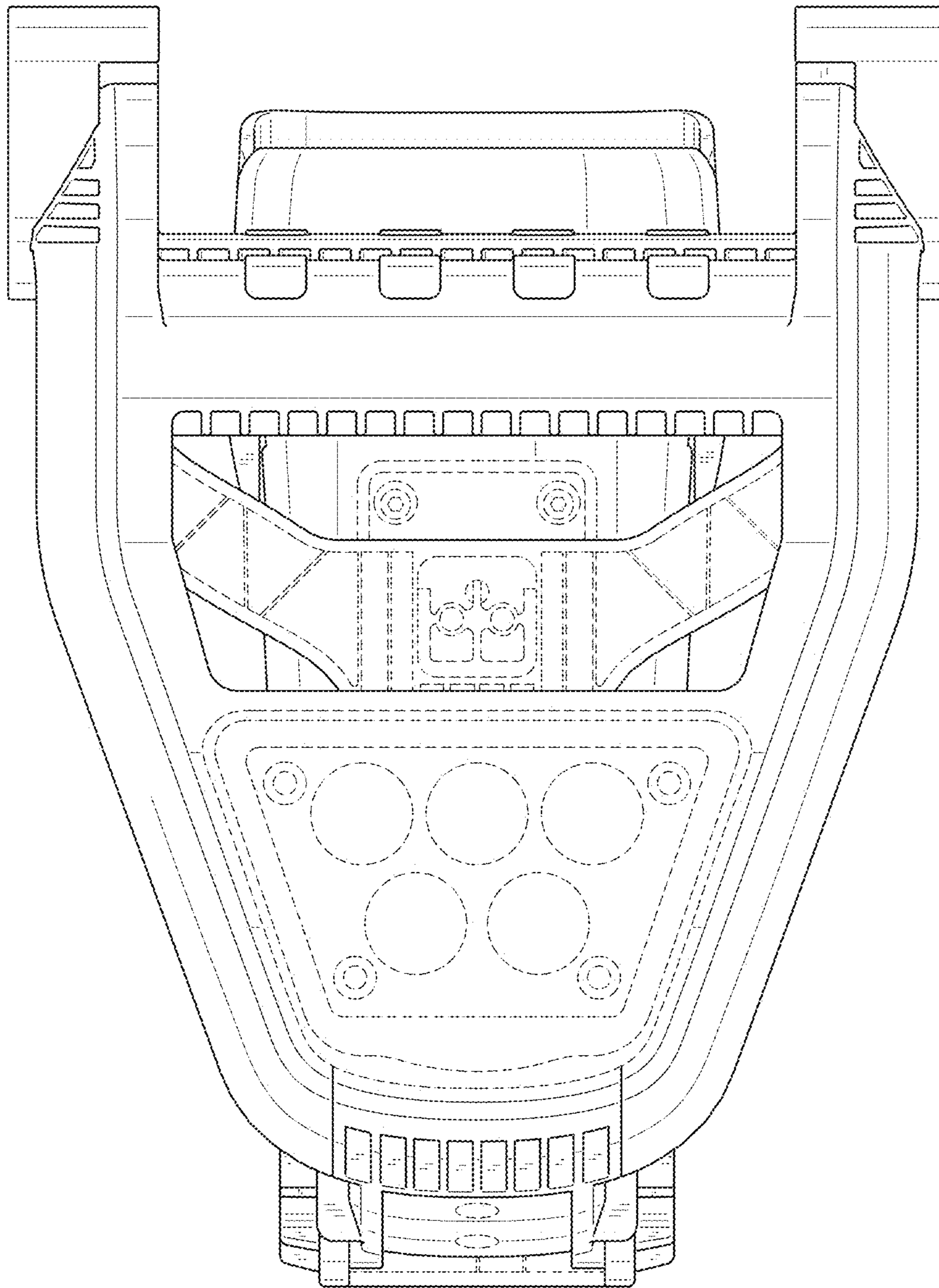


FIG. 7



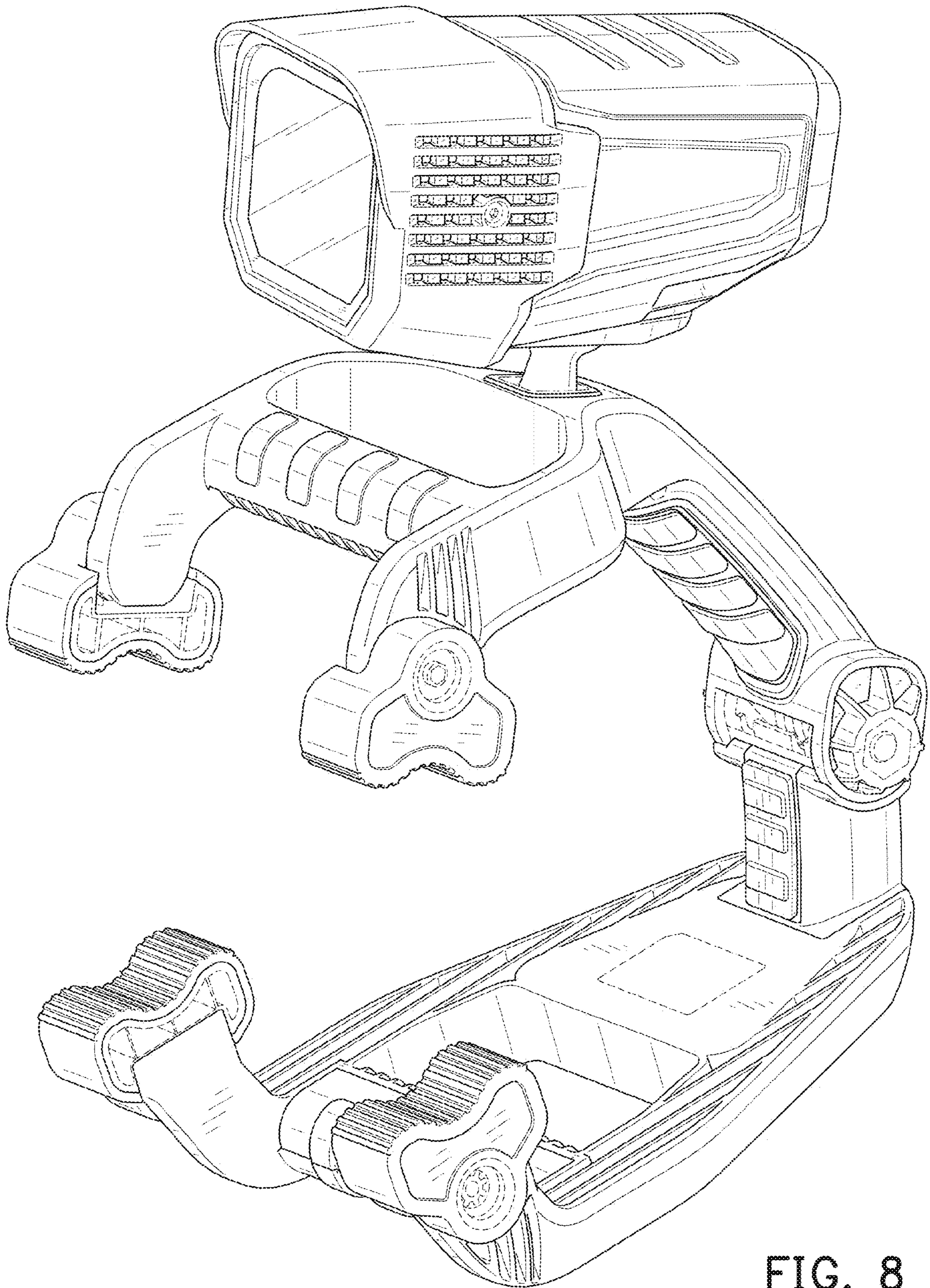


FIG. 8



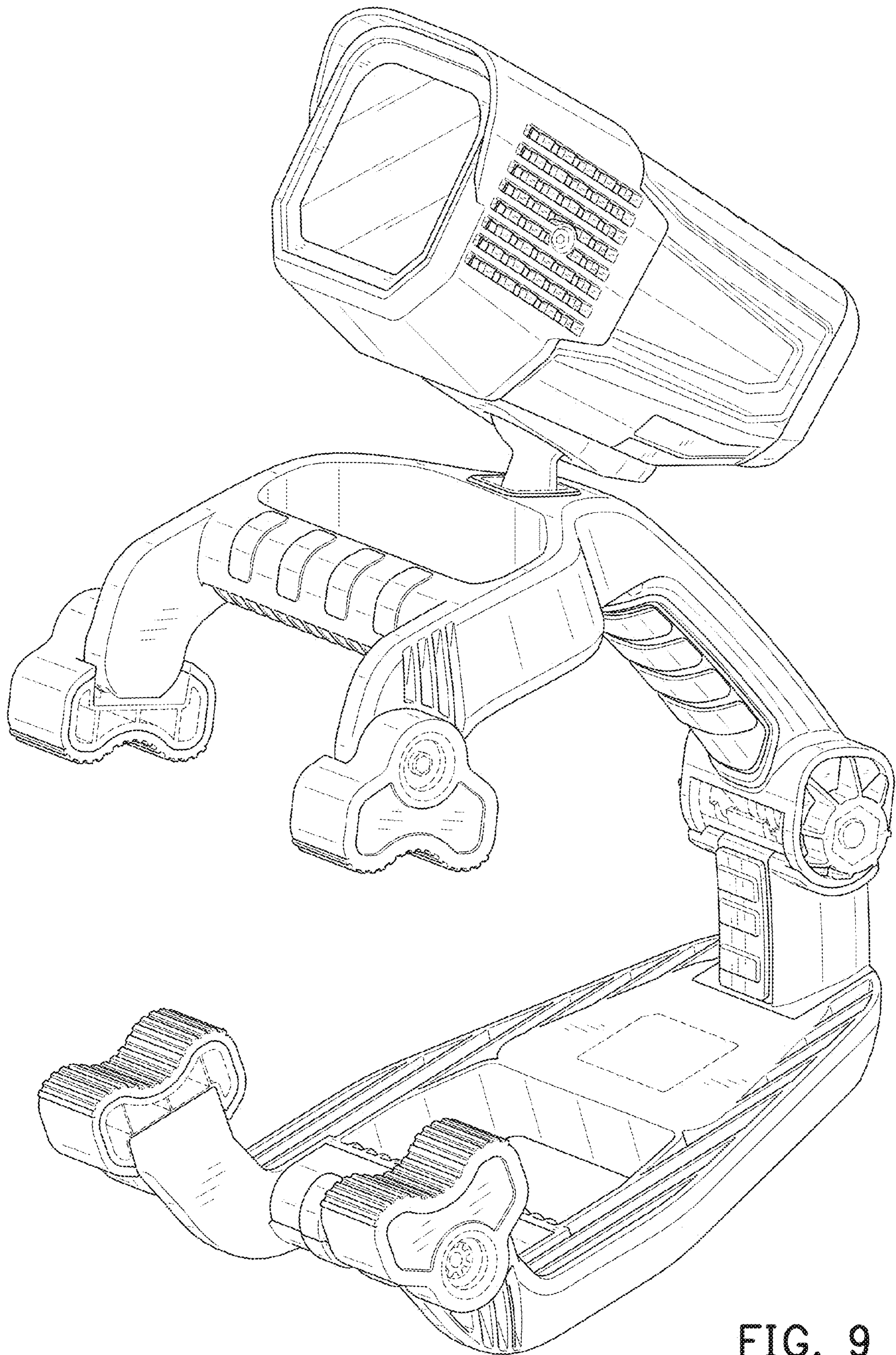


FIG. 9



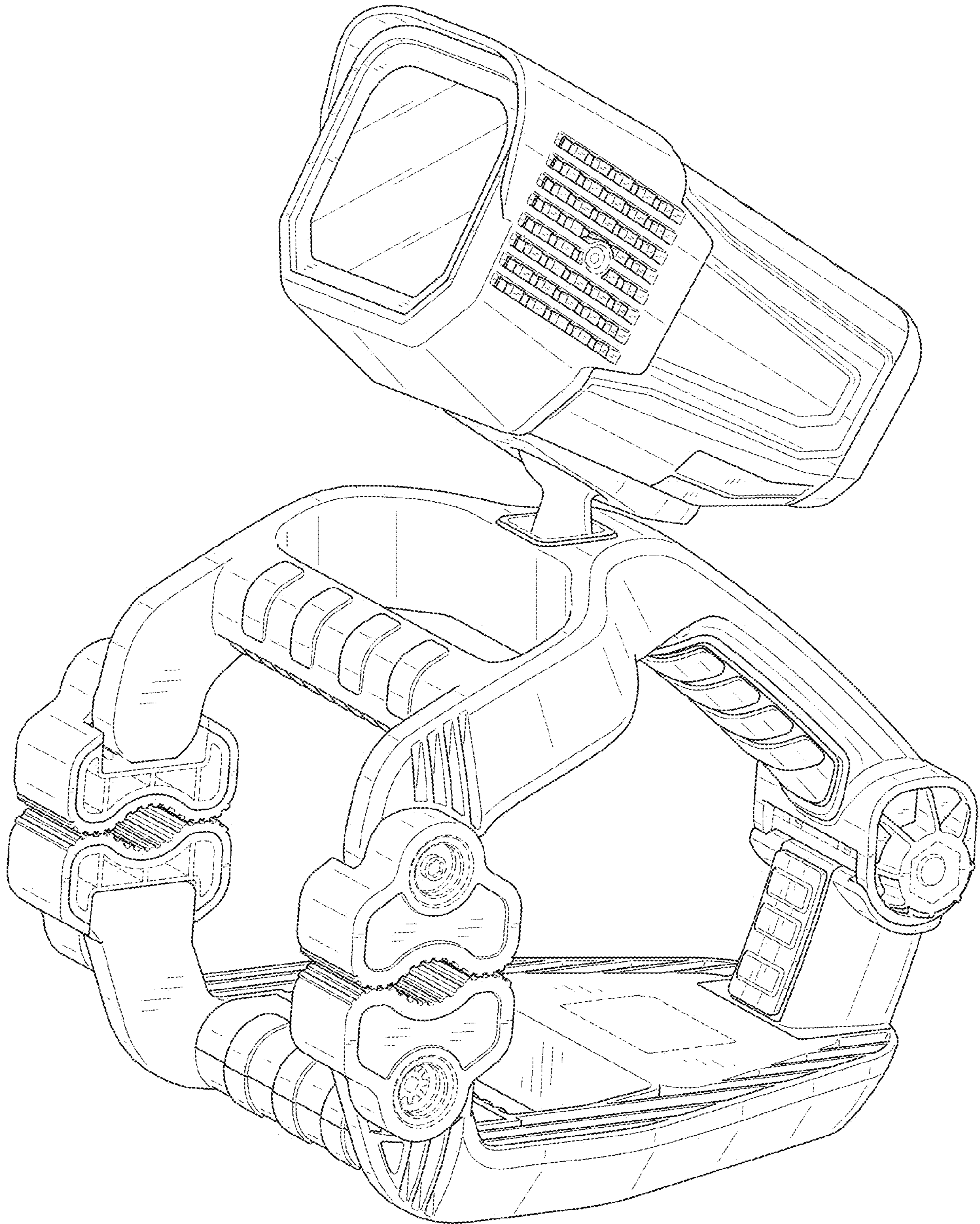


FIG. 10