



US00D923222S

(12) **United States Design Patent** (10) **Patent No.:** **US D923,222 S**
Le et al. (45) **Date of Patent:** **** Jun. 22, 2021**

(54) **LIGHT WAND**

(71) Applicant: **SHENGNUO Optoelectronic Technology Co., Ltd., Wenzhou (CN)**

(72) Inventors: **Luo Le Le, Wenzhou (CN); Huang Pei Gen, Wenzhou (CN)**

(73) Assignee: **SHENGNUO Optoelectronic Technology Co., Ltd., Wenzhou (CN)**

(**) Term: **15 Years**

(21) Appl. No.: **29/698,700**

(22) Filed: **Jul. 18, 2019**

(51) **LOC (13) Cl.** **26-02**

(52) **U.S. Cl.**
USPC **D26/42**

(58) **Field of Classification Search**
USPC D26/3, 24-27, 60-69, 72, 74-78, 80-86, D26/88, 89, 93, 104, 106, 108, 109, 110, D26/113, 118-120, 122-124, 130, D26/133-137, 37-42, 46, 50; D10/111-115
CPC F21S 8/02; F21S 8/03; F21S 8/04; F21S 8/06; F21S 8/026; F21S 8/046; F21S 8/088; F21S 8/033; F21S 8/37; F21S 8/048; F21S 8/083; F21S 2/00; F21V 15/00; F21V 15/01; F21V 17/164; F21V 23/026

See application file for complete search history.

(56) **References Cited**

U.S. PATENT DOCUMENTS

D267,899 S * 2/1983 Kolm D10/114.1
D563,022 S * 2/2008 Hetfield D26/72
D612,086 S * 3/2010 Brauer F21V 29/74
D26/49
D620,631 S * 7/2010 Wildner D26/88
D620,634 S * 7/2010 Komar D26/106
D625,860 S * 10/2010 Bertken D26/37

D656,259 S * 3/2012 Ku D26/37
D711,573 S * 8/2014 Payne D26/42
D743,594 S * 11/2015 Scazziga D26/37
D851,805 S * 6/2019 Chen D26/76
D858,853 S * 9/2019 Anastassiades D26/76

(Continued)

FOREIGN PATENT DOCUMENTS

CN 301722020 * 11/2011
CN 303952993 * 11/2016

(Continued)

OTHER PUBLICATIONS

“ProMaster Light Wand Handheld Portable Light,” Sep. 24, 2015, amazon.com, site visited Feb. 9, 2021, URL: <https://www.amazon.com/ProMaster-Light-Wand-Handheld-Portable/dp/B015RNQ9OK> (Year: 2015).*

(Continued)

Primary Examiner — Eric L Goodman
Assistant Examiner — Sarah L Smith
(74) *Attorney, Agent, or Firm* — Sheridan Ross P.C.

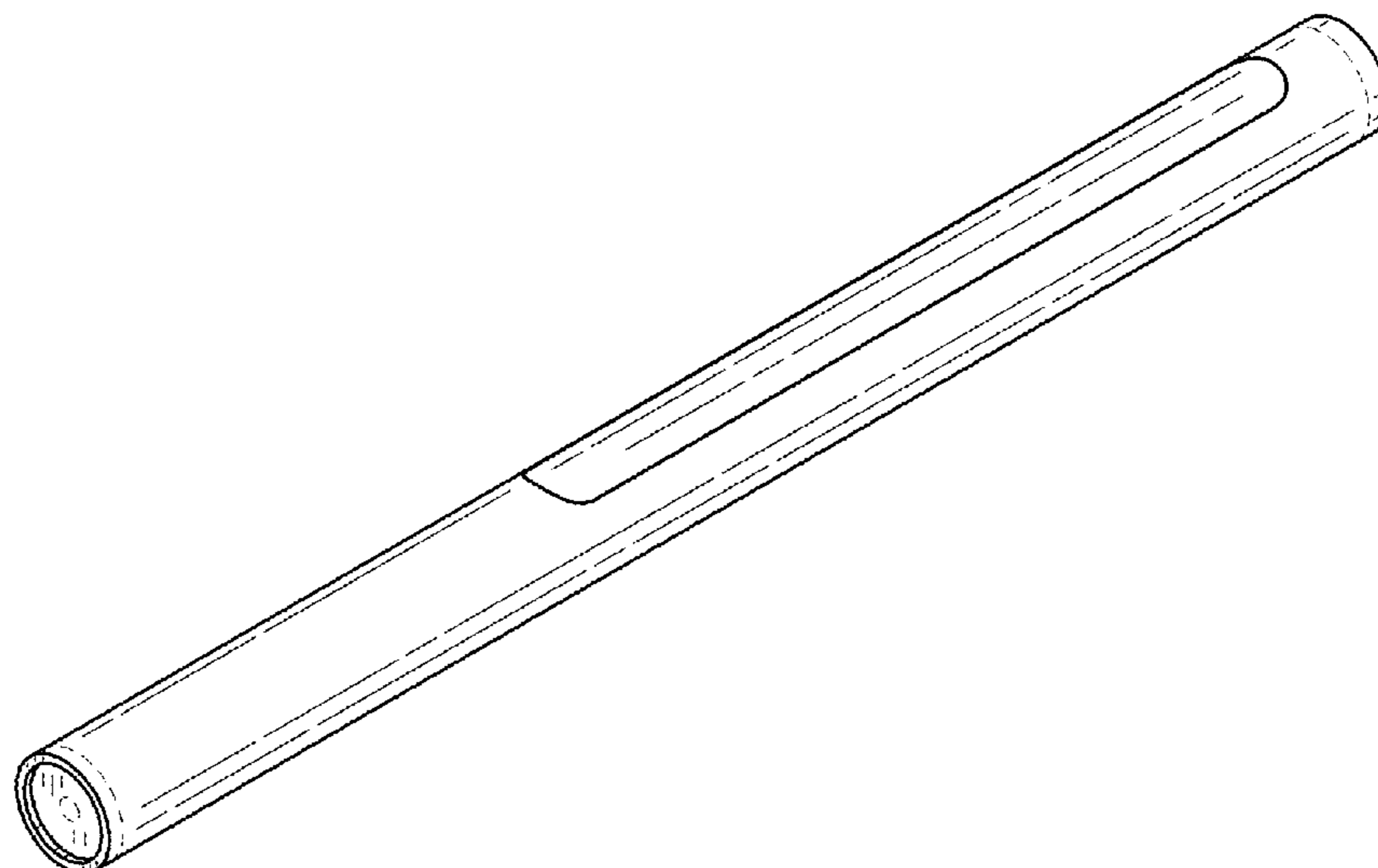
(57) **CLAIM**

The ornamental design for a light wand, as shown and described.

DESCRIPTION

FIG. 1 is a top perspective view of a light wand showing our new design;
FIG. 2 is a bottom perspective view thereof;
FIG. 3 is a top view thereof;
FIG. 4 is a bottom view thereof;
FIG. 5 is a front view thereof;
FIG. 6 is a back view thereof;
FIG. 7 is a right side view thereof; and,
FIG. 8 is a left side view.
The dashed lines show portions of the light wand which form no part of the claimed design.

1 Claim, 5 Drawing Sheets



(56)

References Cited

U.S. PATENT DOCUMENTS

D866,045 S * 11/2019 Anastassiades F21V 19/009
D26/88
2013/0286643 A1* 10/2013 Chen F21V 29/74
362/217.02
2017/0248753 A1* 8/2017 Wu F21V 7/005
2020/0240594 A1* 7/2020 Jiang F21V 19/009

FOREIGN PATENT DOCUMENTS

CN 304097524 * 4/2017
CN 209909635 U * 1/2020 F21S 4/24
CN 210179386 U * 3/2020 F21S 9/00
GB 6058576 * 4/2019
KR 2020007225 A * 1/2020 A01G 7/045

OTHER PUBLICATIONS

“Yongnuo Photography,” Jul. 3, 2017, facebook.com, site visited Feb. 9, 2021, URL: <https://www.facebook.com/hkyongnuo/photos/870147793133356> (Year: 2017).*

“The Germ Reaper—Ultraviolet Light Sanitizer,” Jun. 2, 2017, amazon.com, site visited Feb. 9, 2021, URL: https://www.amazon.com/Germ-Reaper-Ultraviolet-Sanitizer-effectively/dp/B07756448D/ref=sr_1_18_sspa?dchild=1&keywords=uv+light+sanitizing+wand&qid=1612892016&sr=8-18-spons&psc=1&spLa=ZW5jcn (Year: 2017).*

* cited by examiner

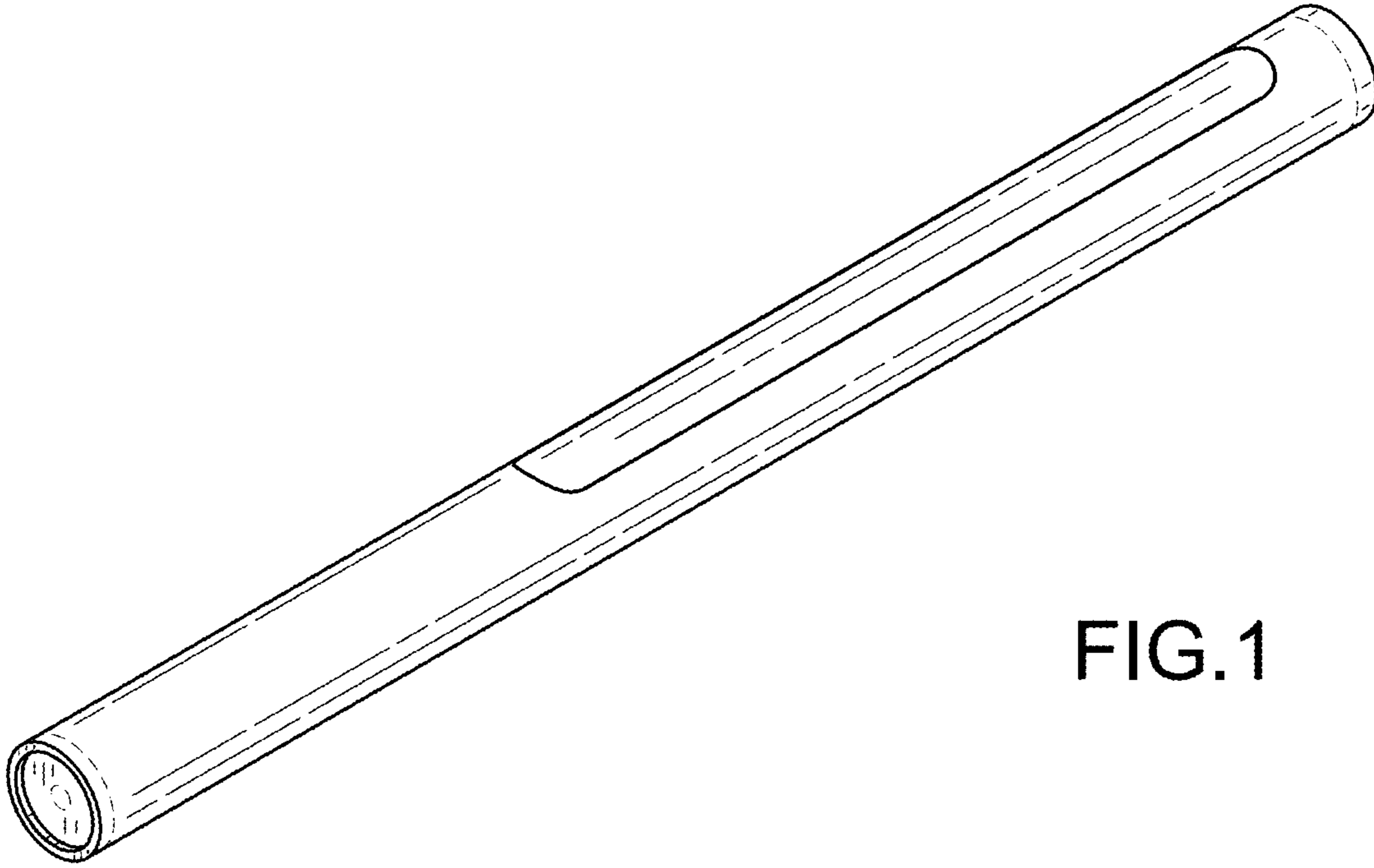


FIG. 1

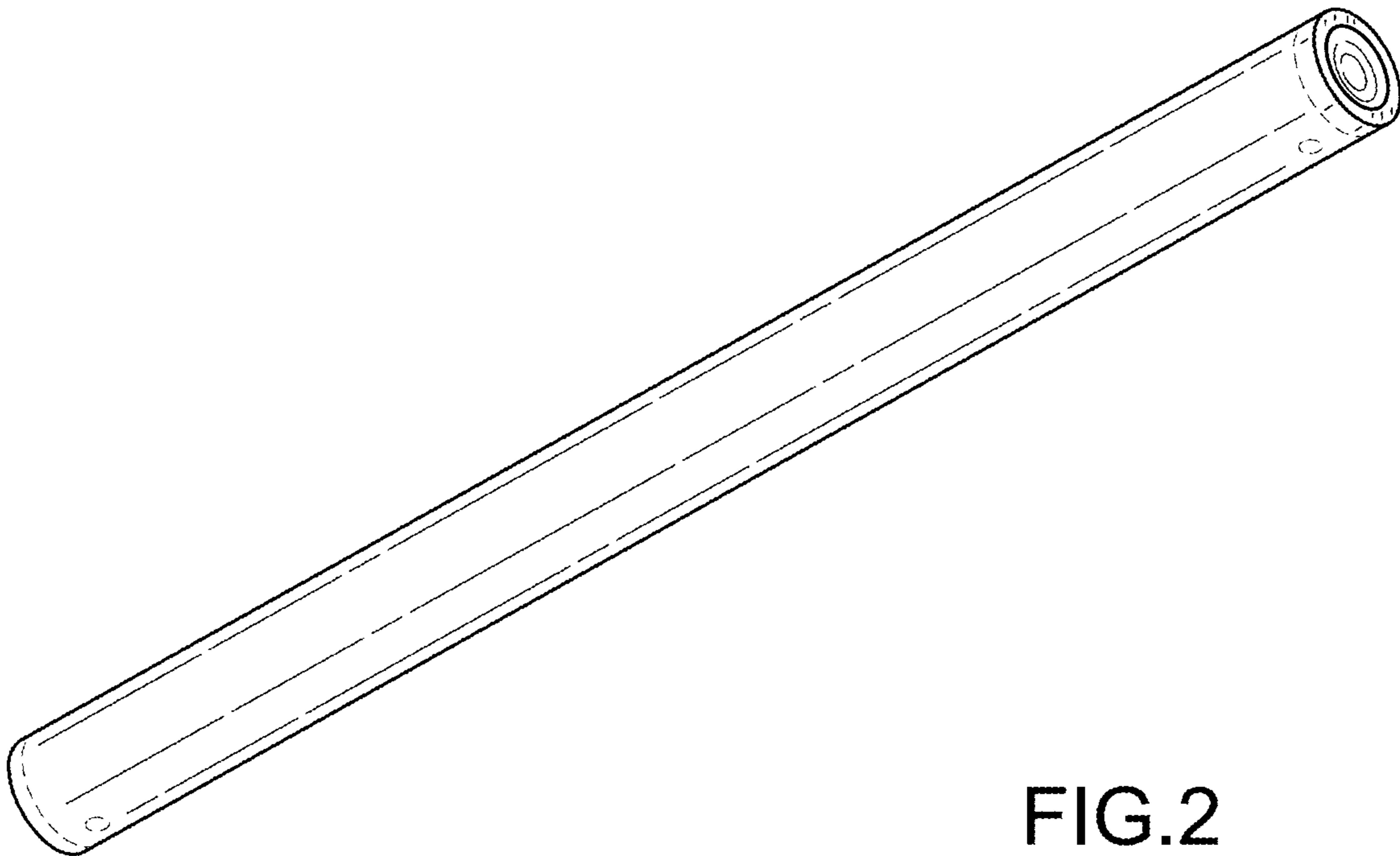


FIG. 2

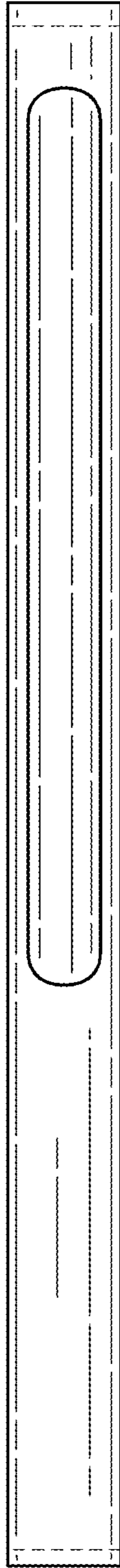


FIG.3

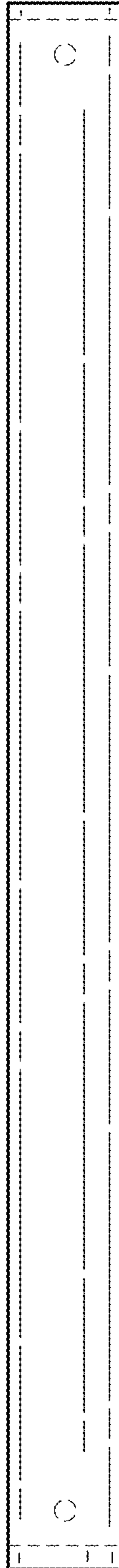


FIG.4

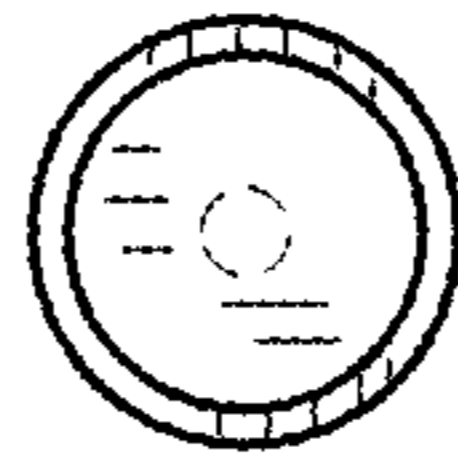


FIG.5

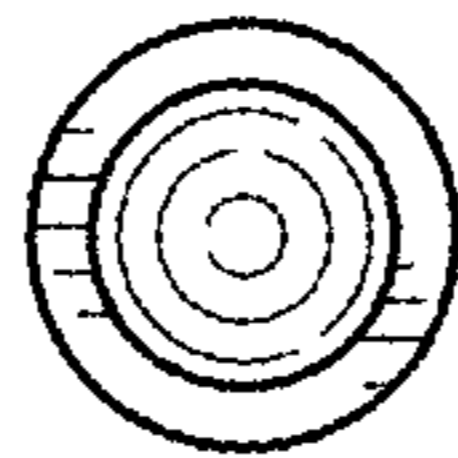


FIG.6

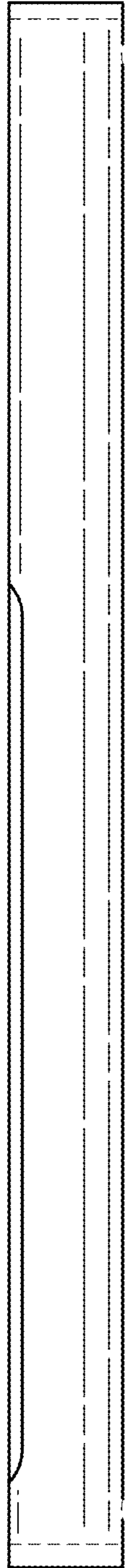


FIG. 7

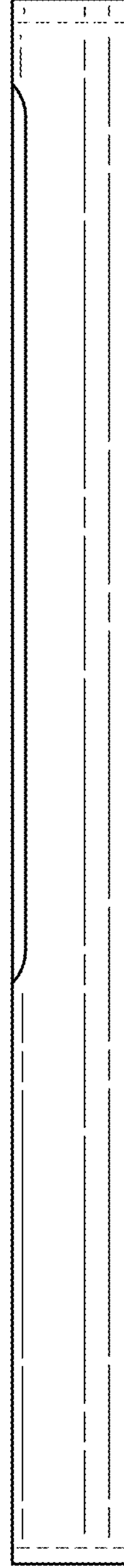


FIG. 8