



US00D923221S

(12) **United States Design Patent** (10) **Patent No.:** **US D923,221 S**
Yan (45) **Date of Patent:** **** Jun. 22, 2021**

(54) **SOLAR POWERED CAMPING LANTERN**

(71) Applicant: **Wuzhong Yan**, Shenzhen (CN)

(72) Inventor: **Wuzhong Yan**, Shenzhen (CN)

(**) Term: **15 Years**

(21) Appl. No.: **29/765,774**

(22) Filed: **Jan. 11, 2021**

(51) **LOC (13) Cl.** **26-02**

(52) **U.S. Cl.**
USPC **D26/40**

(58) **Field of Classification Search**
USPC D26/37-51
CPC F21L 4/00; F21L 4/02; F21L 4/04; F21L 4/08; F21L 4/025; F21L 4/027; F21L 7/00; F21L 11/00; F21L 13/00; F21L 13/04; F21L 13/08; F21L 17/00; F21L 19/00; F21L 25/00

See application file for complete search history.

(56) **References Cited**

U.S. PATENT DOCUMENTS

D443,706 S * 6/2001 Israel D26/40
D498,319 S * 11/2004 Poon D26/40
D518,211 S * 3/2006 Krieger D26/40

D520,163 S * 5/2006 Krieger D26/40
D541,961 S * 5/2007 Tarter D26/40
D542,953 S * 5/2007 Lee D26/40
D548,381 S * 8/2007 Tremeer D26/40
D670,014 S 10/2012 Bertken
D706,968 S * 6/2014 McDonough D26/41
D803,443 S * 11/2017 Burke D26/40

* cited by examiner

Primary Examiner — Marcus A Jackson
(74) *Attorney, Agent, or Firm* — W&K IP

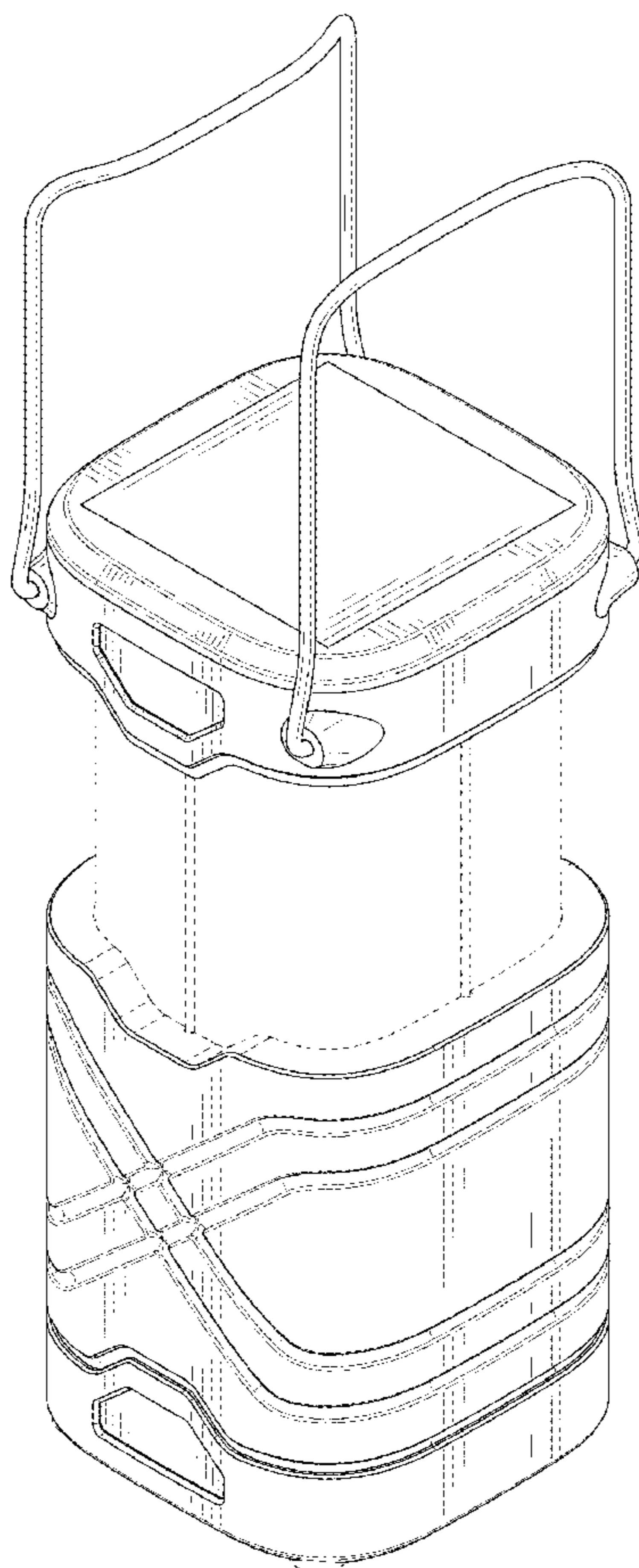
(57) **CLAIM**

The ornamental design for a solar powered camping lantern, as shown and described.

DESCRIPTION

FIG. 1 is a perspective view of a solar powered camping lantern showing my design;
FIG. 2 is a front elevational view thereof;
FIG. 3 is a rear elevational view thereof;
FIG. 4 is a right side elevational view thereof;
FIG. 5 is a left side elevational view thereof;
FIG. 6 is a top plan view thereof;
FIG. 7 is a bottom plan view thereof; and,
FIG. 8 is an use state diagram shown that a body of the solar powered camping lantern is pulled out from a casing of the solar powered camping lantern.
The broken lines depict portions of the solar powered camping lantern that form no part of the claimed design.

1 Claim, 8 Drawing Sheets



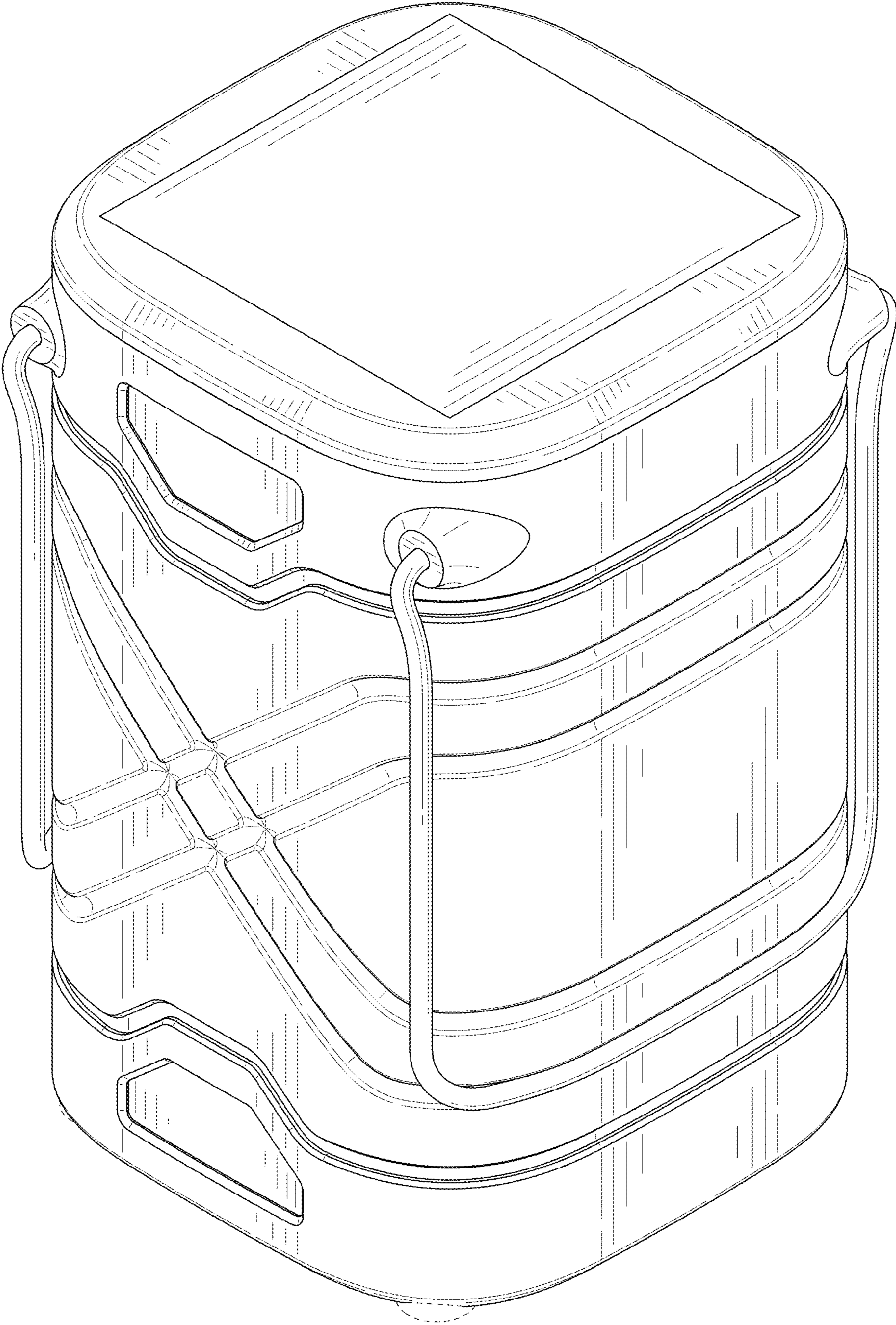


FIG. 1

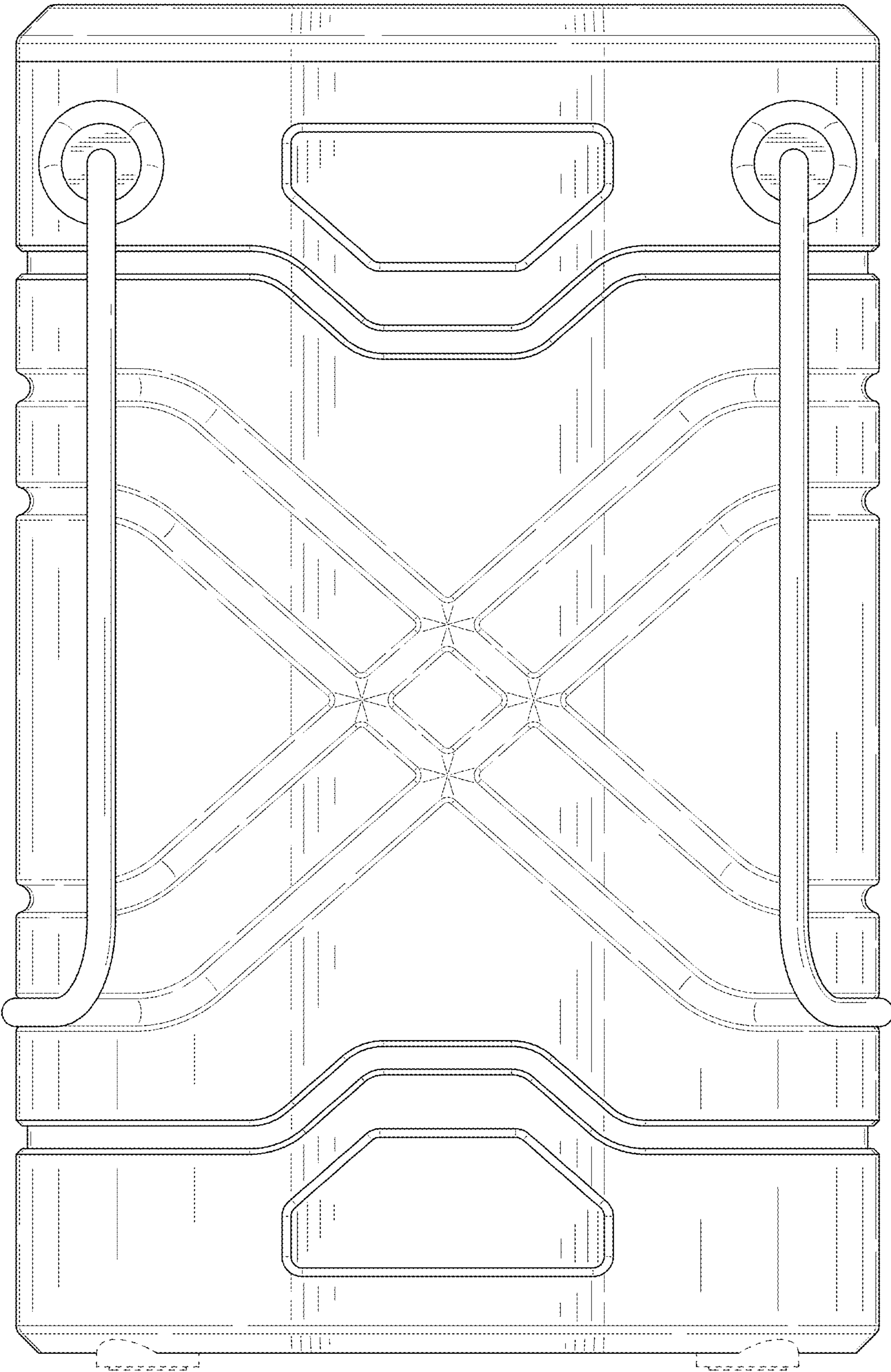


FIG. 2

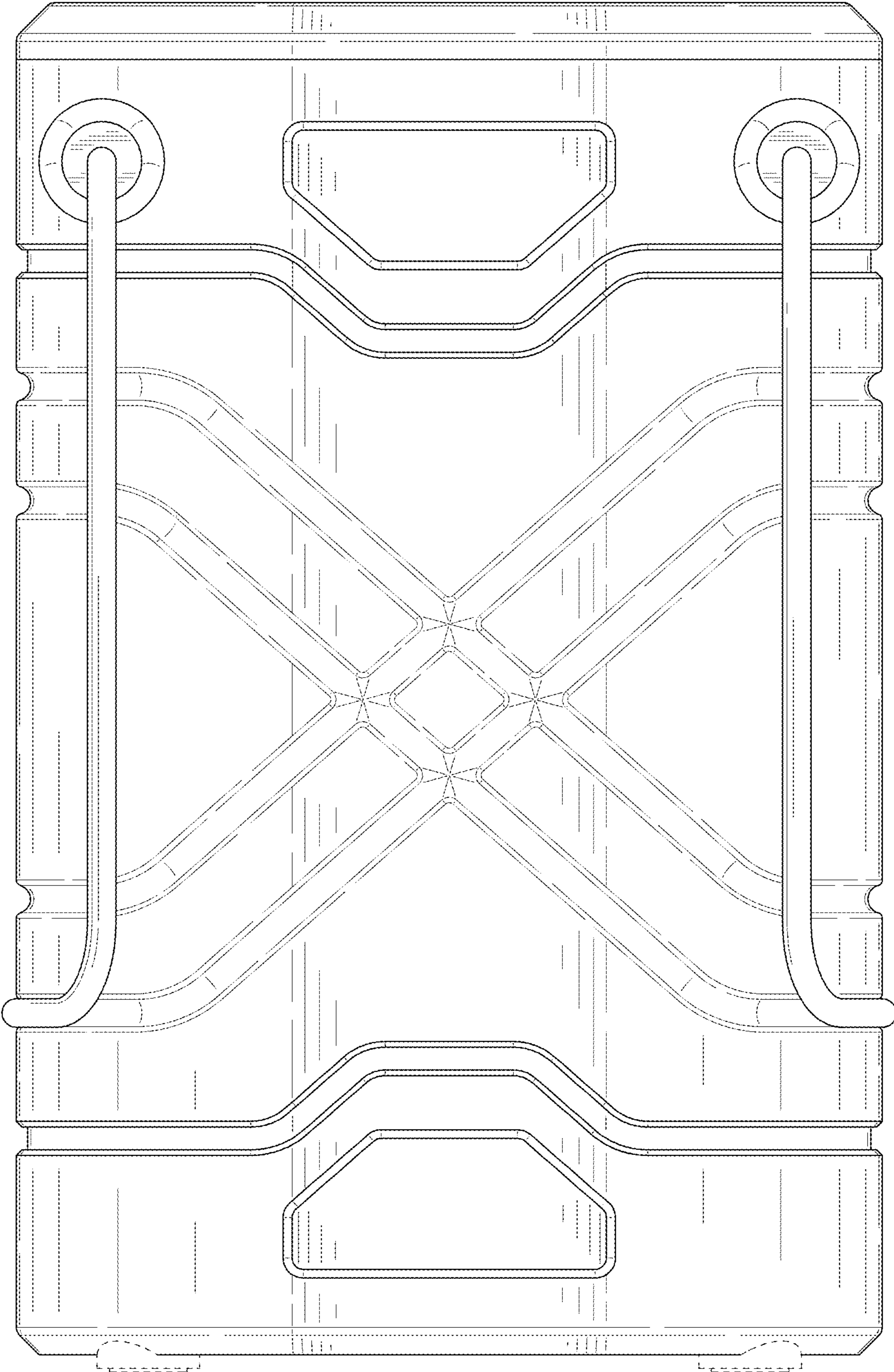


FIG. 3

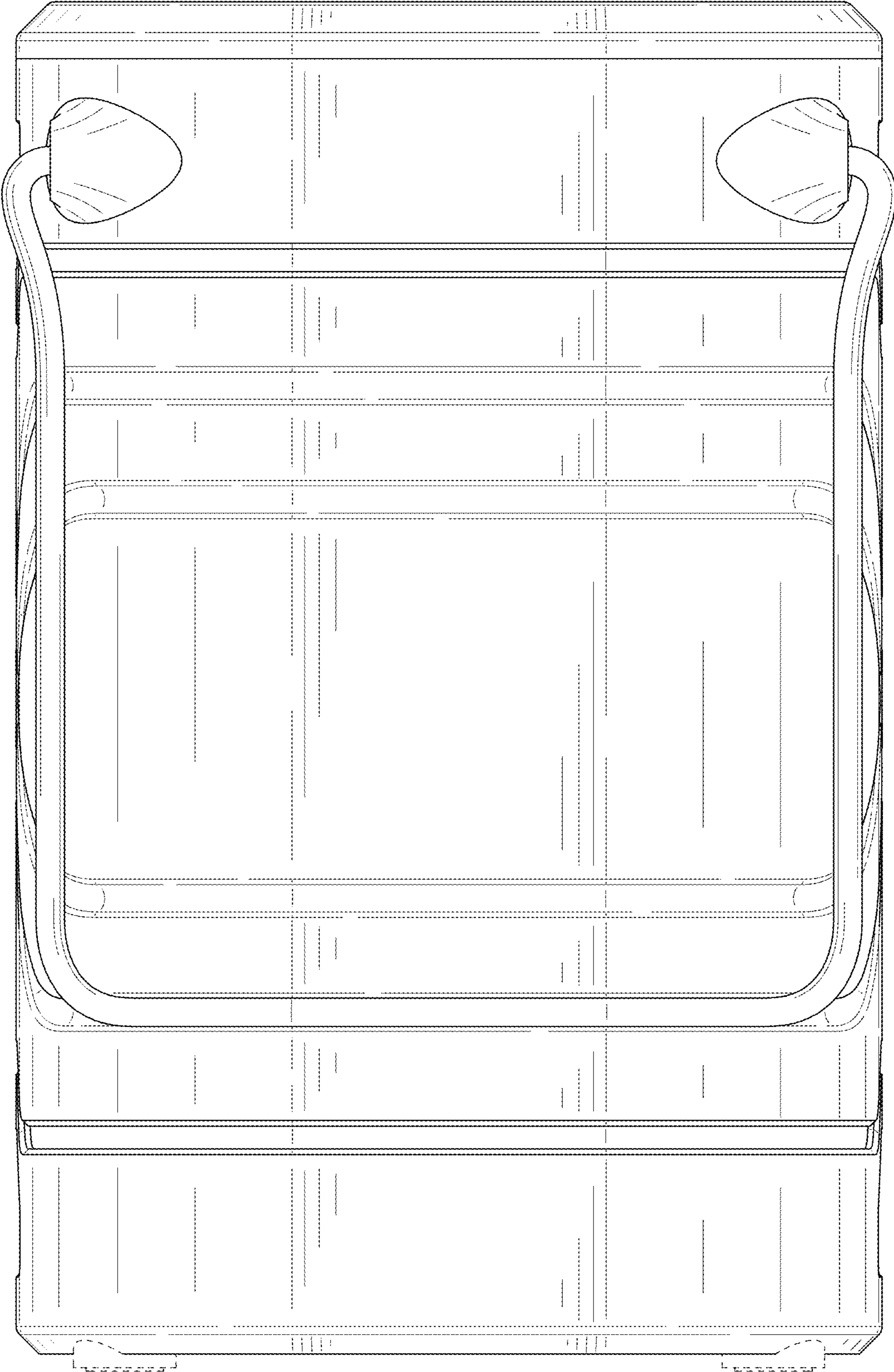


FIG. 4

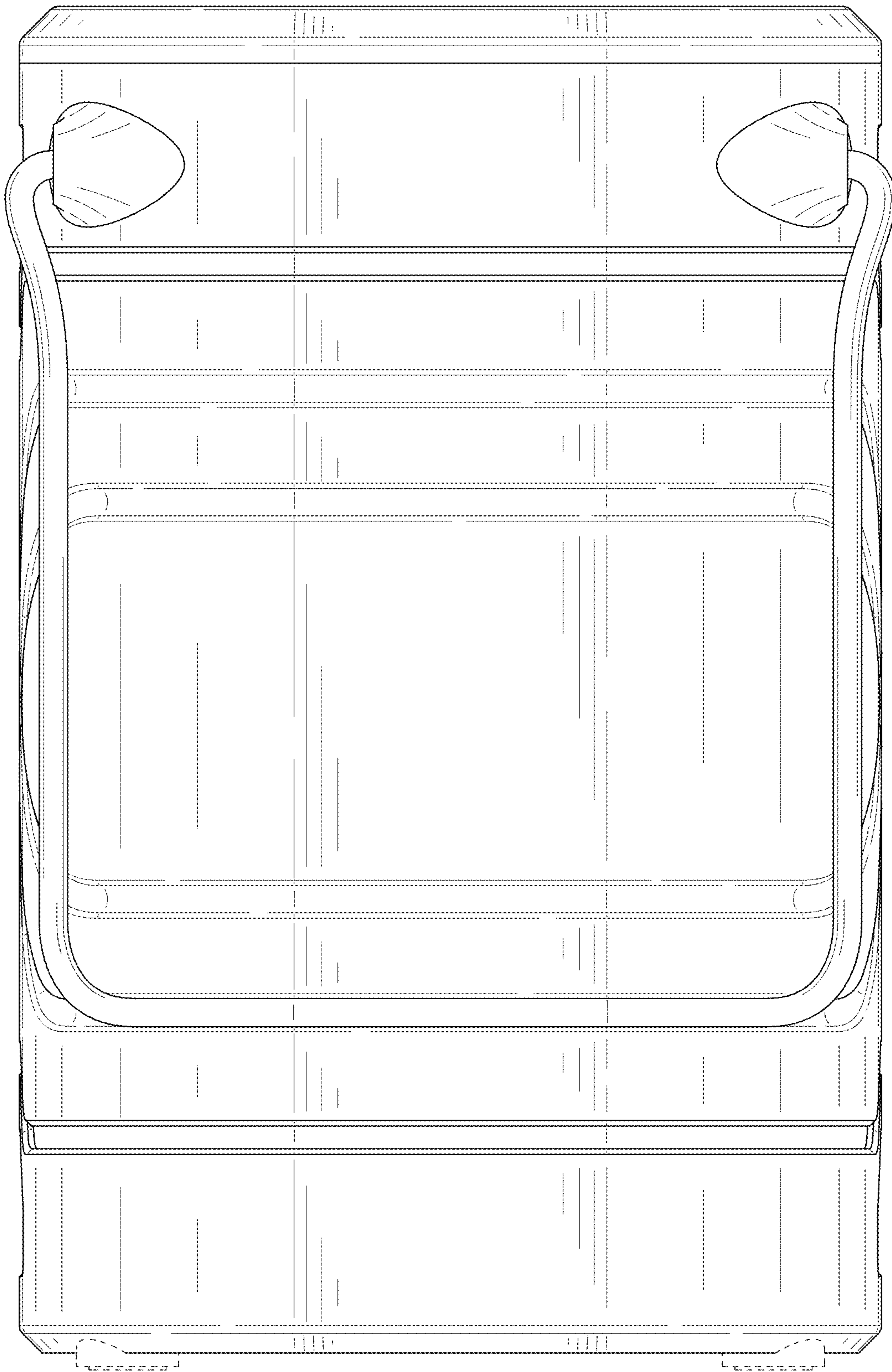


FIG. 5

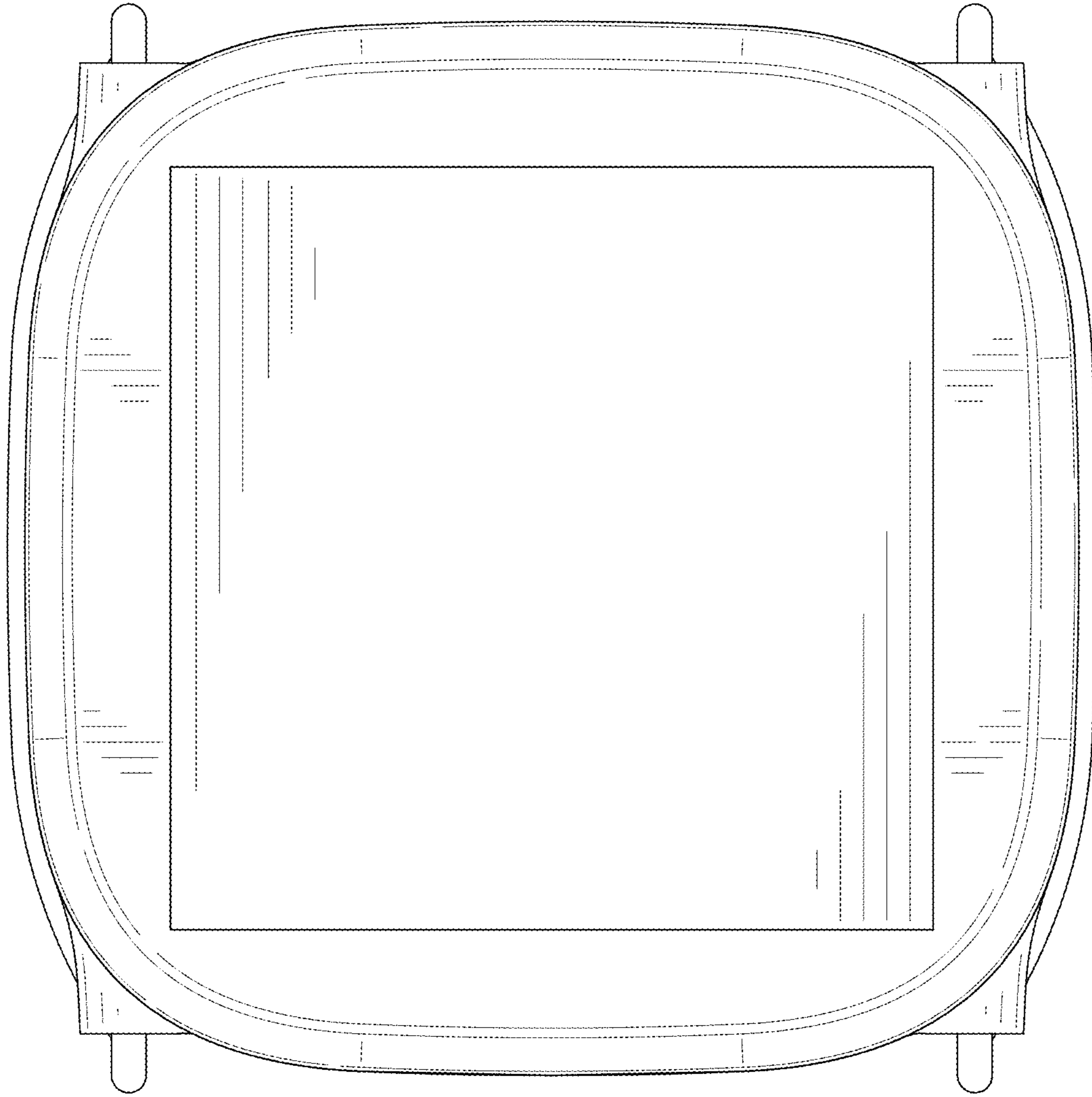


FIG. 6

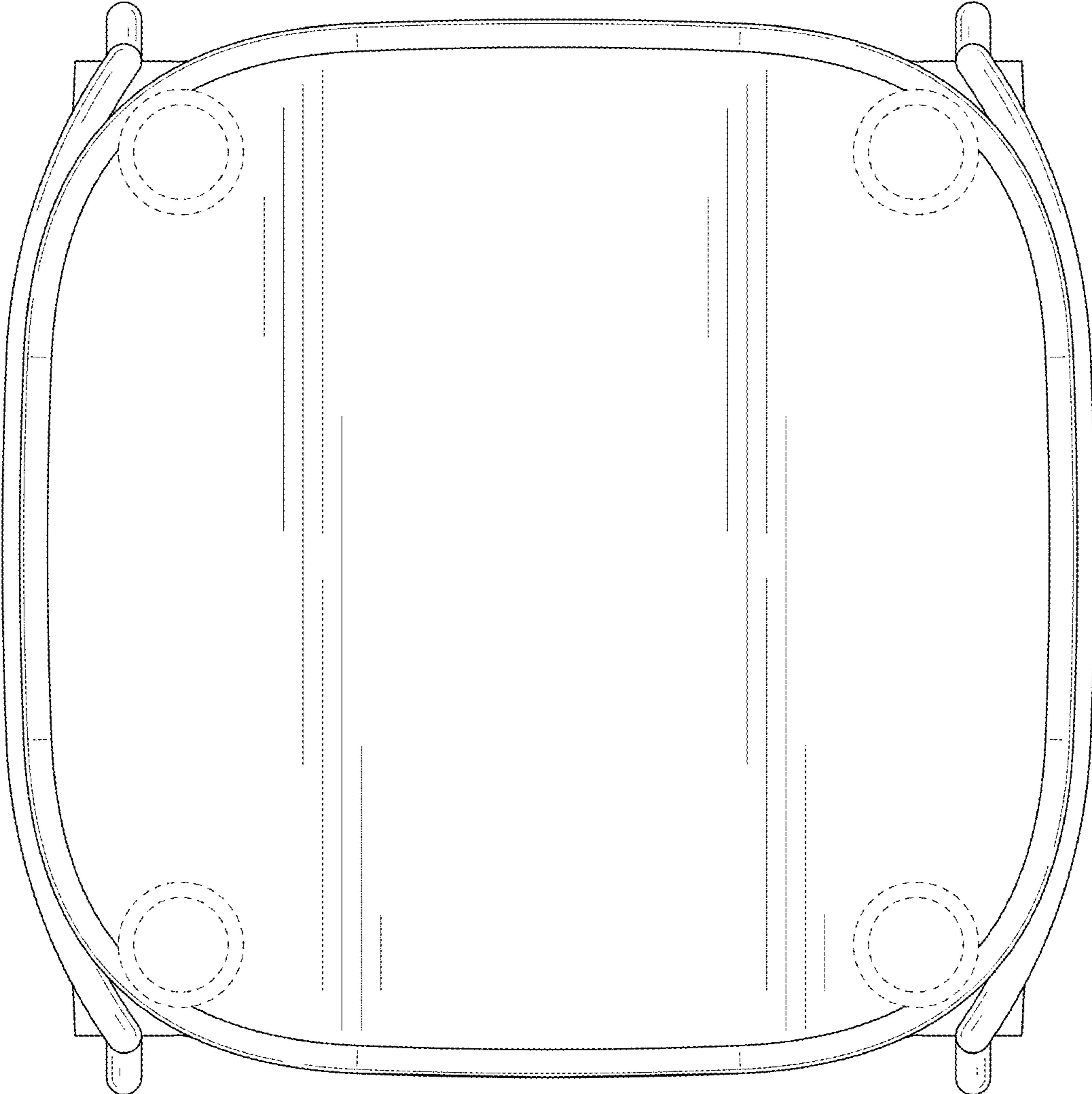


FIG. 7

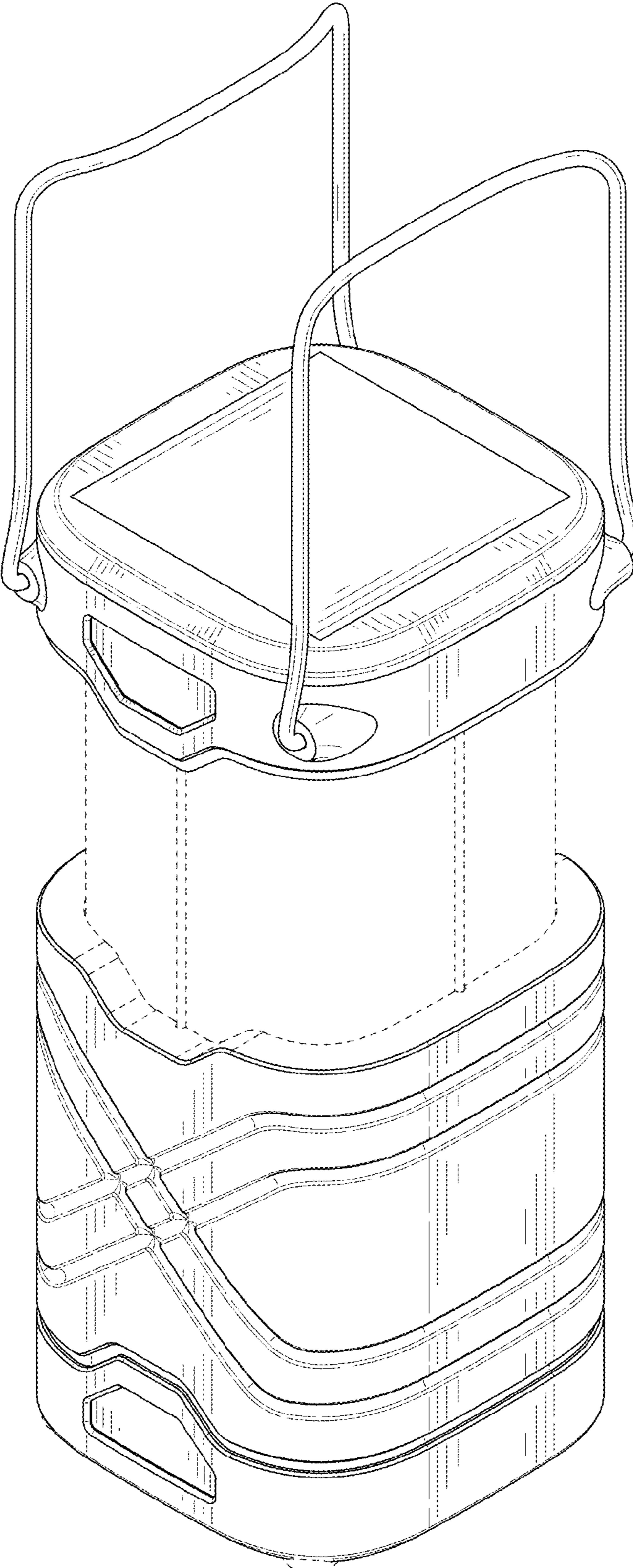


FIG. 8