

US00D923220S

(12) **United States Design Patent**  
**Thompson**

(10) **Patent No.:** **US D923,220 S**

(45) **Date of Patent:** **\*\* Jun. 22, 2021**

(54) **LIGHTING DEVICE**

(71) Applicant: **BLACK & DECKER INC.**, New Britain, CT (US)

(72) Inventor: **Samuel P. Thompson**, Newcastle upon Tyne (GB)

(73) Assignee: **BLACK & DECKER INC.**, New Britain, CT (US)

D468,039 S *	12/2002	Poon	.....	D26/40
D474,553 S *	5/2003	Poon	.....	D26/40
D485,928 S *	1/2004	Leung	.....	D26/40
D486,934 S *	2/2004	Leung	.....	D26/40
D487,809 S *	3/2004	Leung	.....	D26/40
D509,921 S *	9/2005	Lam	.....	D26/40
D535,771 S *	1/2007	Shiu	.....	D26/40
D546,488 S *	7/2007	Poon	.....	D26/40
D546,991 S *	7/2007	Poon	.....	D26/40
D553,774 S *	10/2007	Leung	.....	D26/40

(Continued)

(\*\*) Term: **15 Years**

(21) Appl. No.: **29/659,825**

(22) Filed: **Aug. 13, 2018**

(51) **LOC (13) Cl.** ..... **26-02**

(52) **U.S. Cl.**  
USPC ..... **D26/40**

(58) **Field of Classification Search**  
USPC ..... D26/37, 40-41, 46, 50  
CPC ..... F21L 2003/00; F21L 4/00; F21L 4/005;  
F21L 4/02; F21L 4/025; F21L 4/027;  
F21L 4/04; F21L 4/08; F21L 2005/00;  
F21L 13/00; F21L 13/04; F21L 14/02;  
F21L 17/00; F21L 19/00

See application file for complete search history.

(56) **References Cited**

**U.S. PATENT DOCUMENTS**

D374,296 S *	10/1996	Lo	.....	D26/37
D389,930 S *	1/1998	Lo	.....	D26/37
D393,323 S *	4/1998	Howard	.....	D26/41
D421,660 S *	3/2000	Shing	.....	D26/40
D424,726 S *	5/2000	Petterson	.....	D26/40
D429,354 S *	8/2000	Petterson	.....	D26/40
D433,762 S *	11/2000	Yuen	.....	D26/40
D443,088 S *	5/2001	Skidmore	.....	D26/40
D452,023 S *	12/2001	Poon	.....	D26/48
6,394,630 B1 *	5/2002	Skidmore	.....	H05B 47/19
				362/394
D464,451 S *	10/2002	Poon	.....	D26/37

**OTHER PUBLICATIONS**

llbean.com: Trailblazer 400 Lantern. Undated online product page. Retrieved on Nov. 17, 2020 from <[https://www.llbean.com/llb/shop/506867?originalProduct=123007&productId=1741212&attrValue\\_0=Black%2FGray&pla1=. . .](https://www.llbean.com/llb/shop/506867?originalProduct=123007&productId=1741212&attrValue_0=Black%2FGray&pla1=. . .)> (Year: 2020).\*

(Continued)

*Primary Examiner* — Marcus A Jackson

(74) *Attorney, Agent, or Firm* — Adan Ayala

(57) **CLAIM**

The ornamental design for a lighting device, as shown and described.

**DESCRIPTION**

FIG. 1 is a front perspective view of a lighting device showing my new design.

FIG. 2 is a front elevational view thereof.

FIG. 3 is a rear elevational view thereof.

FIG. 4 is a left-side elevational view thereof.

FIG. 5 is a right-side elevational view thereof.

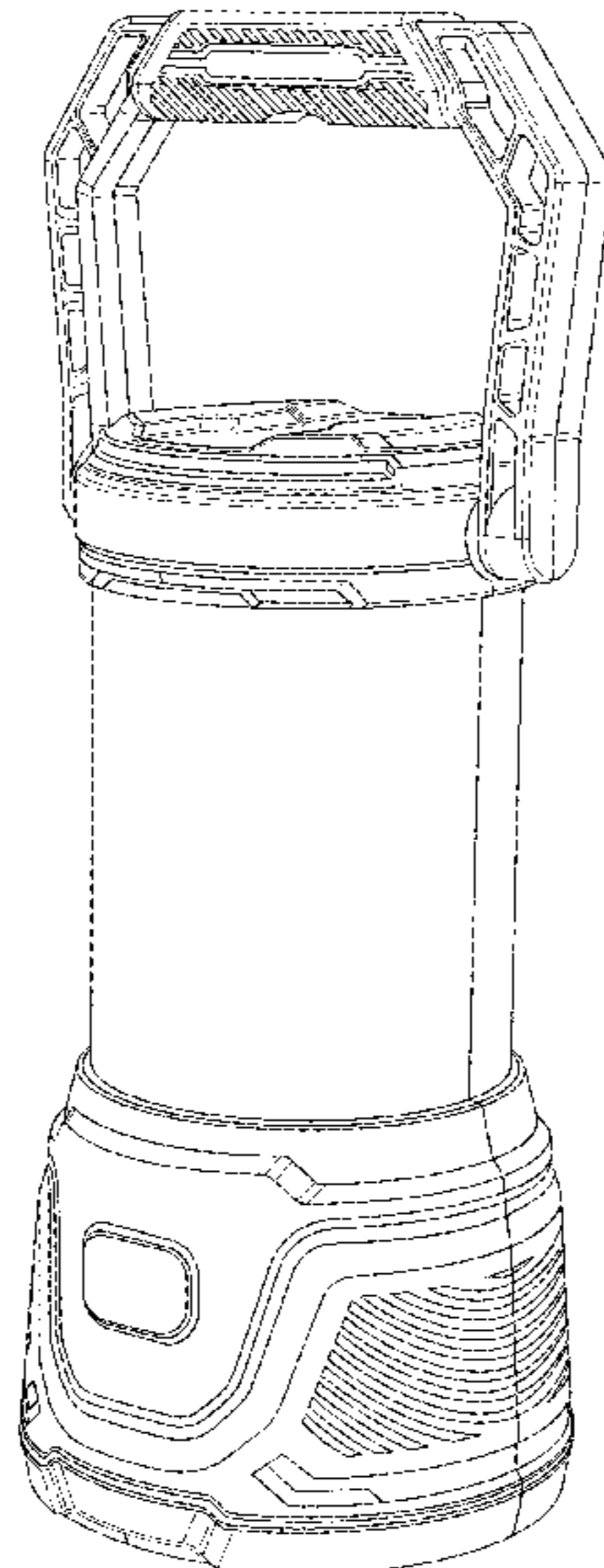
FIG. 6 is a top plan view thereof.

FIG. 7 is a bottom plan view thereof; and,

FIG. 8 is a rear perspective view thereof.

The broken lines are for the purpose of illustrating portions of the lighting device that form no part of the claimed design.

**1 Claim, 7 Drawing Sheets**



(56)

**References Cited**

U.S. PATENT DOCUMENTS

D559,418	S	*	1/2008	Poon	.....	D26/40
D575,429	S	*	8/2008	Shiu	.....	D26/40
D604,436	S	*	11/2009	Poon	.....	D26/40
D670,014	S	*	10/2012	Bertken	.....	D26/40
D674,945	S	*	1/2013	Bertken	.....	D26/40
D748,836	S	*	2/2016	Zhang	.....	D26/40
D809,689	S	*	2/2018	Marshall	.....	D26/41
D809,690	S	*	2/2018	Marshall	.....	D26/41
D850,683	S	*	6/2019	Shelton	.....	D26/41
D898,255	S	*	10/2020	Lien	.....	D26/41
D900,366	S	*	10/2020	Bertken	.....	D26/40

OTHER PUBLICATIONS

amazon.com: Coleman 1000 Lumens LED Lantern with BatteryGuard. Date uploaded Sep. 16, 2018 [site visited Nov. 17, 2020. Retrieved from internet, <[https://www.amazon.com/Coleman-Lumens-Lantern-BatteryGuard-Green/dp/B07HF226B4/ref=asc\\_df\\_B07HF226B4/?tag=hyprod-20&linkCode=df0&hvadid=...](https://www.amazon.com/Coleman-Lumens-Lantern-BatteryGuard-Green/dp/B07HF226B4/ref=asc_df_B07HF226B4/?tag=hyprod-20&linkCode=df0&hvadid=...)> (Year: 2018).\*

\* cited by examiner

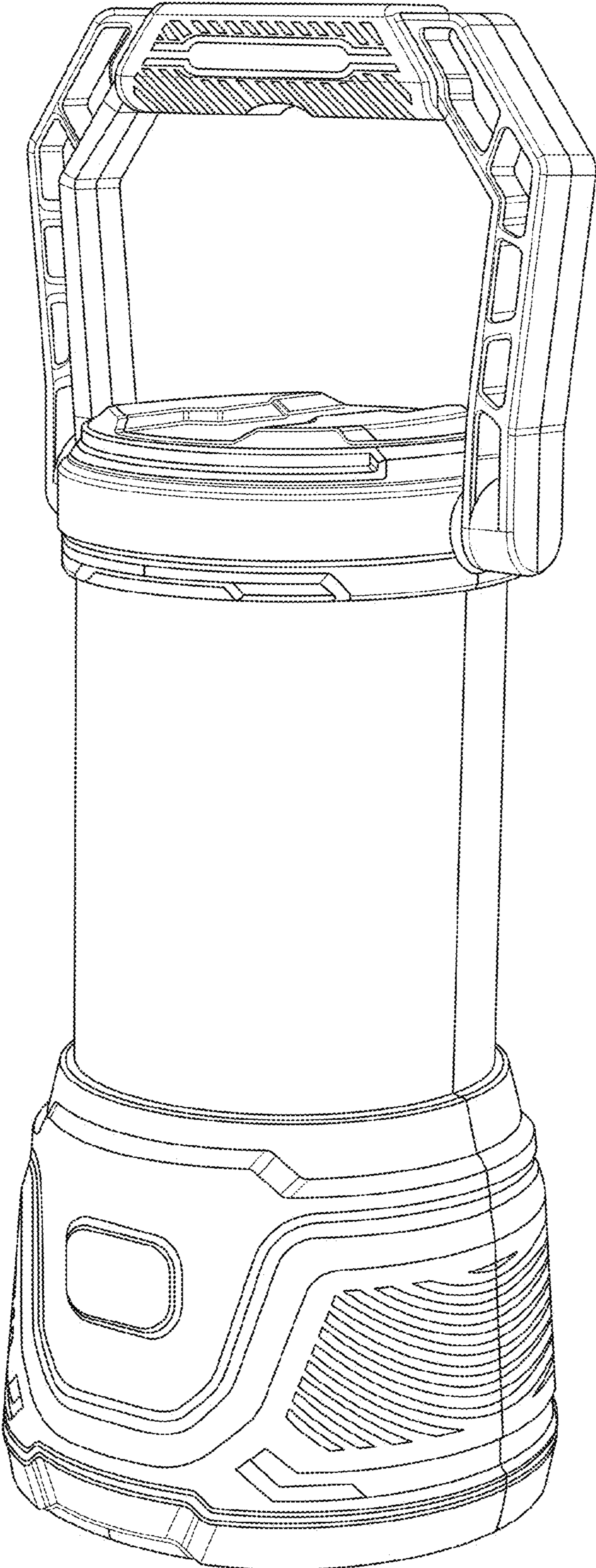


FIG. 1



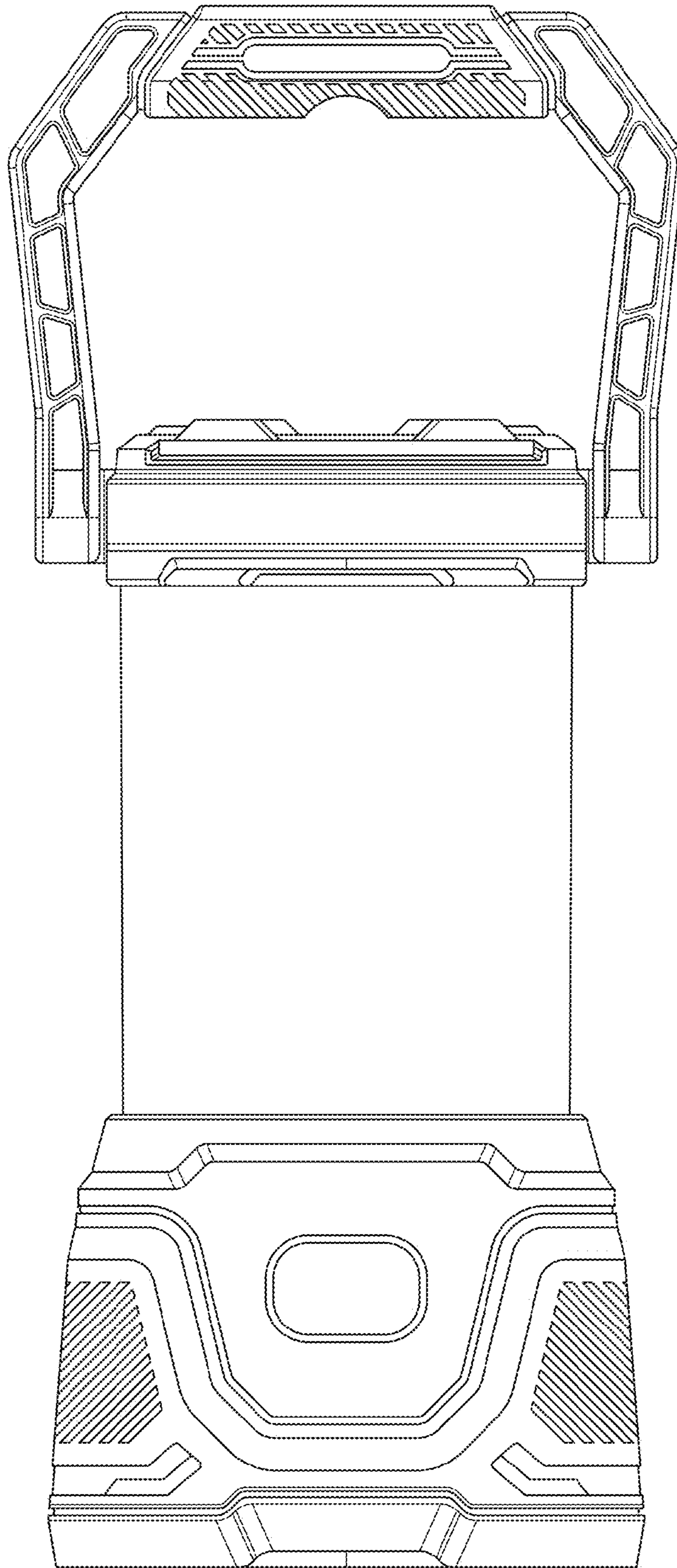


FIG. 2

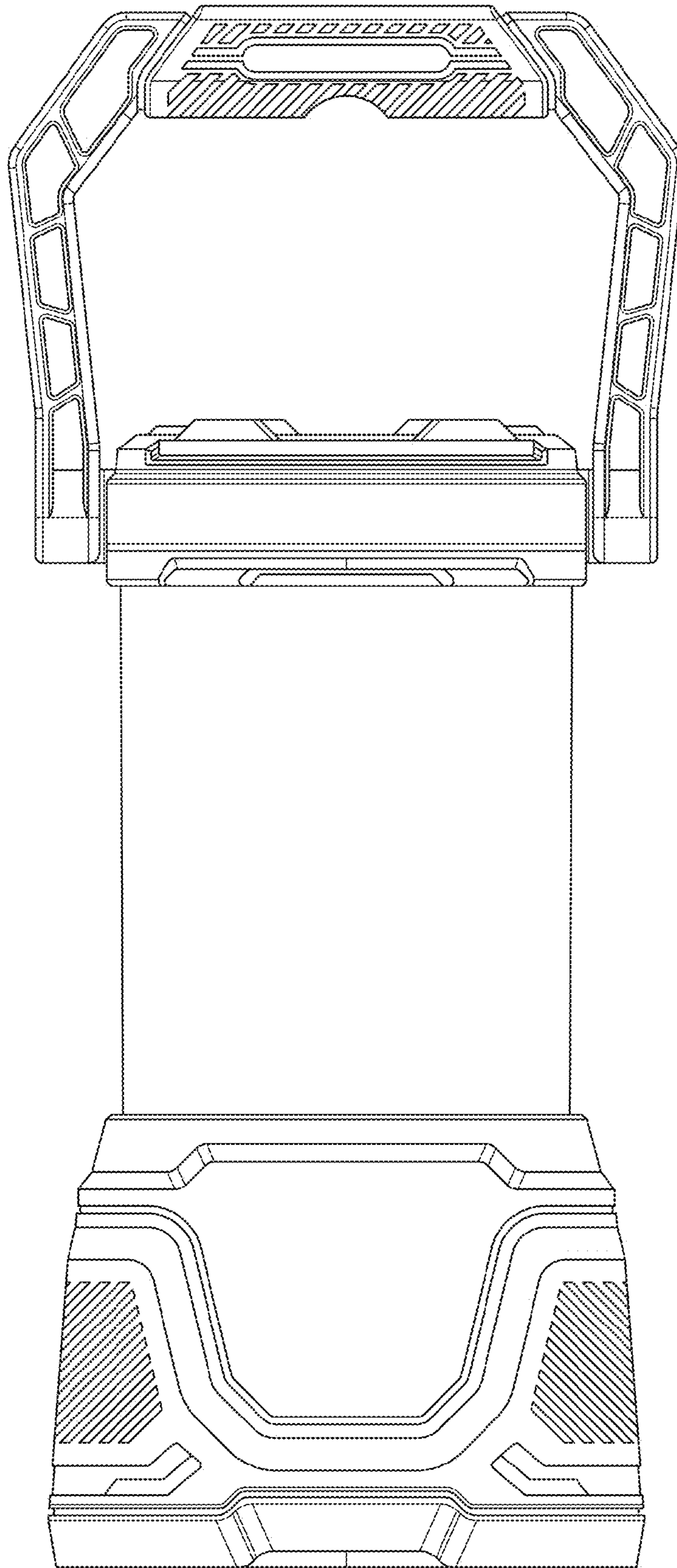


FIG. 3

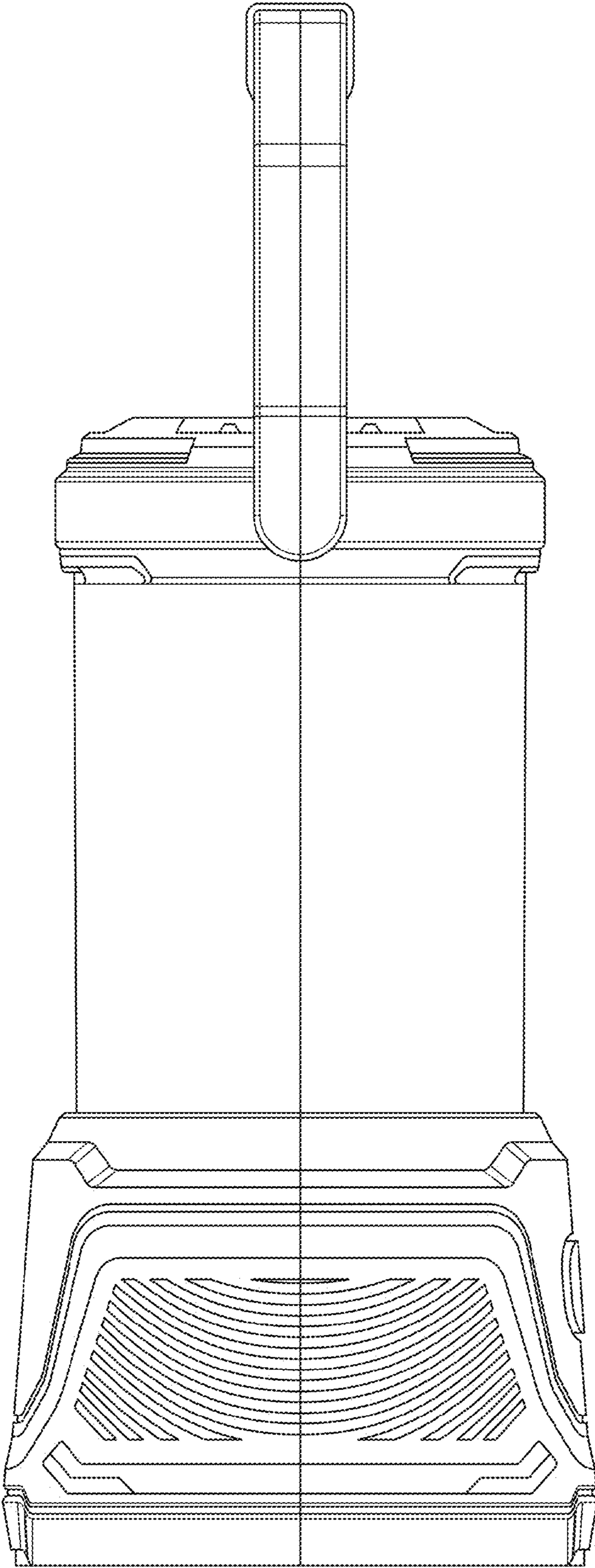


FIG. 4

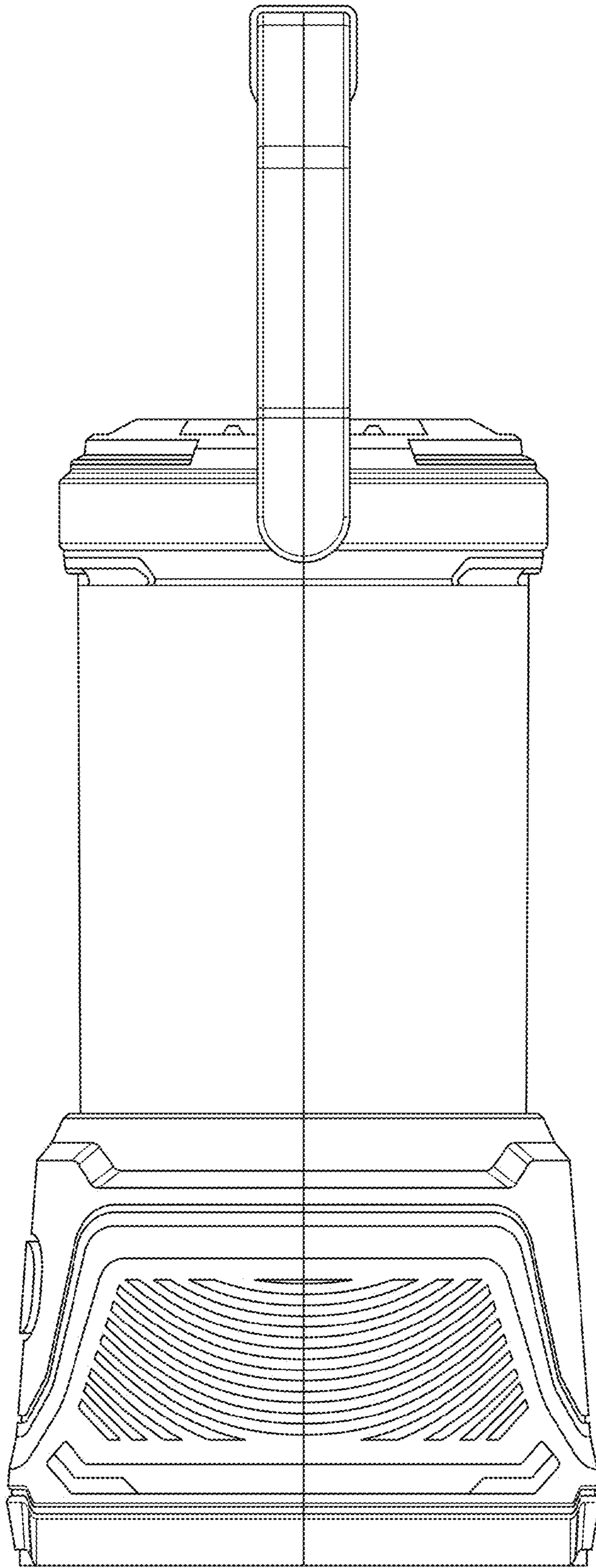


FIG. 5



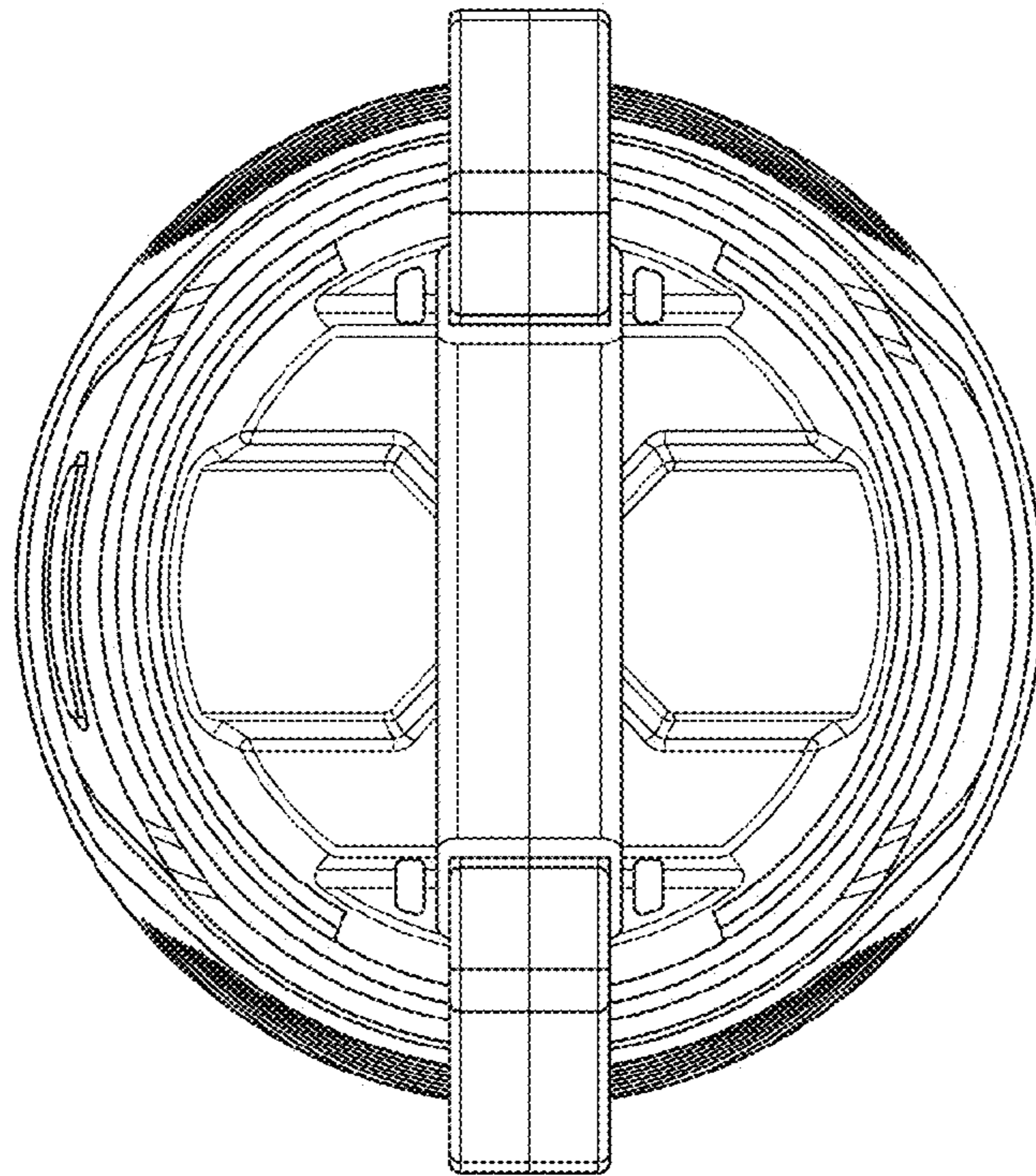


FIG. 6

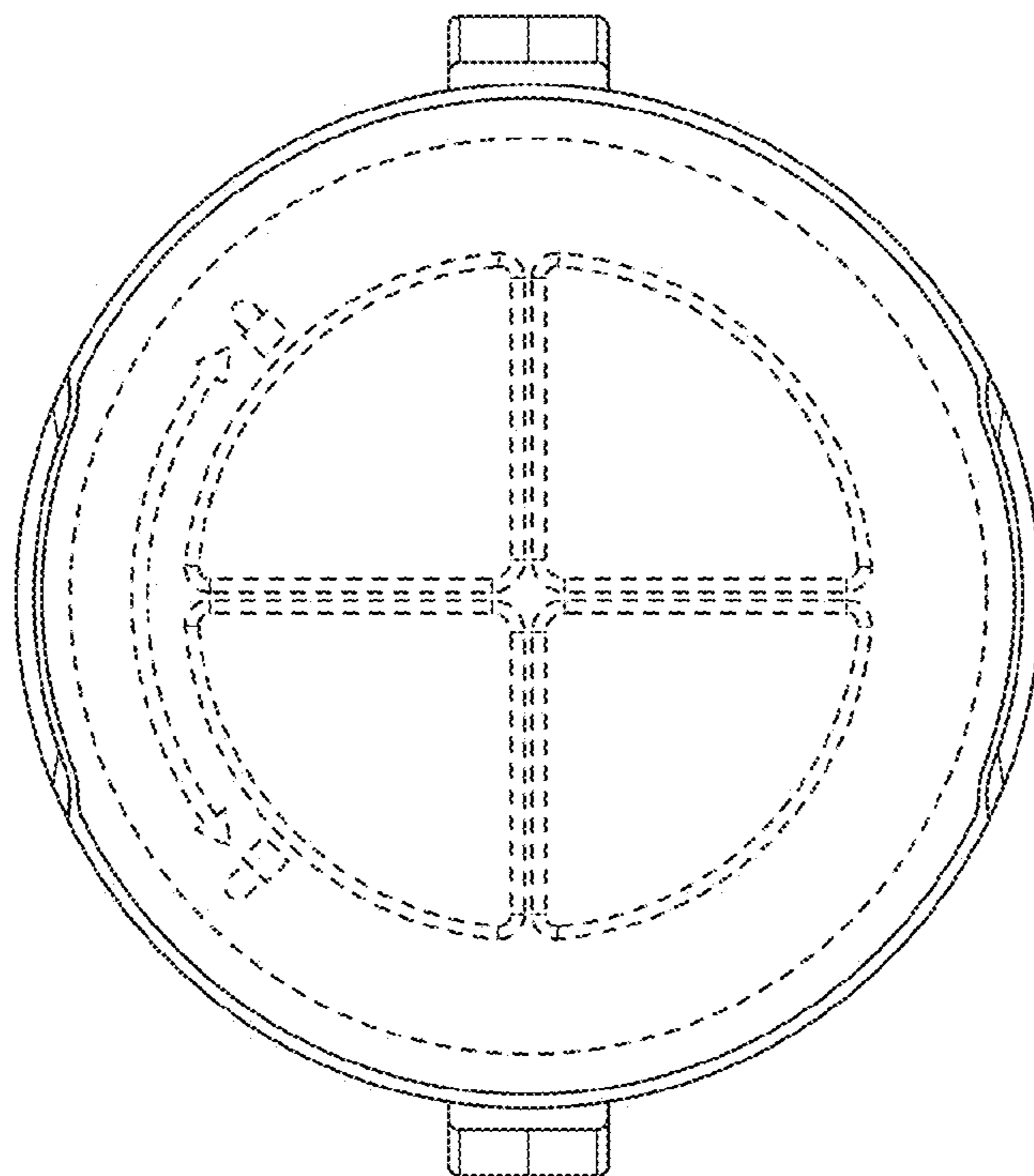


FIG. 7



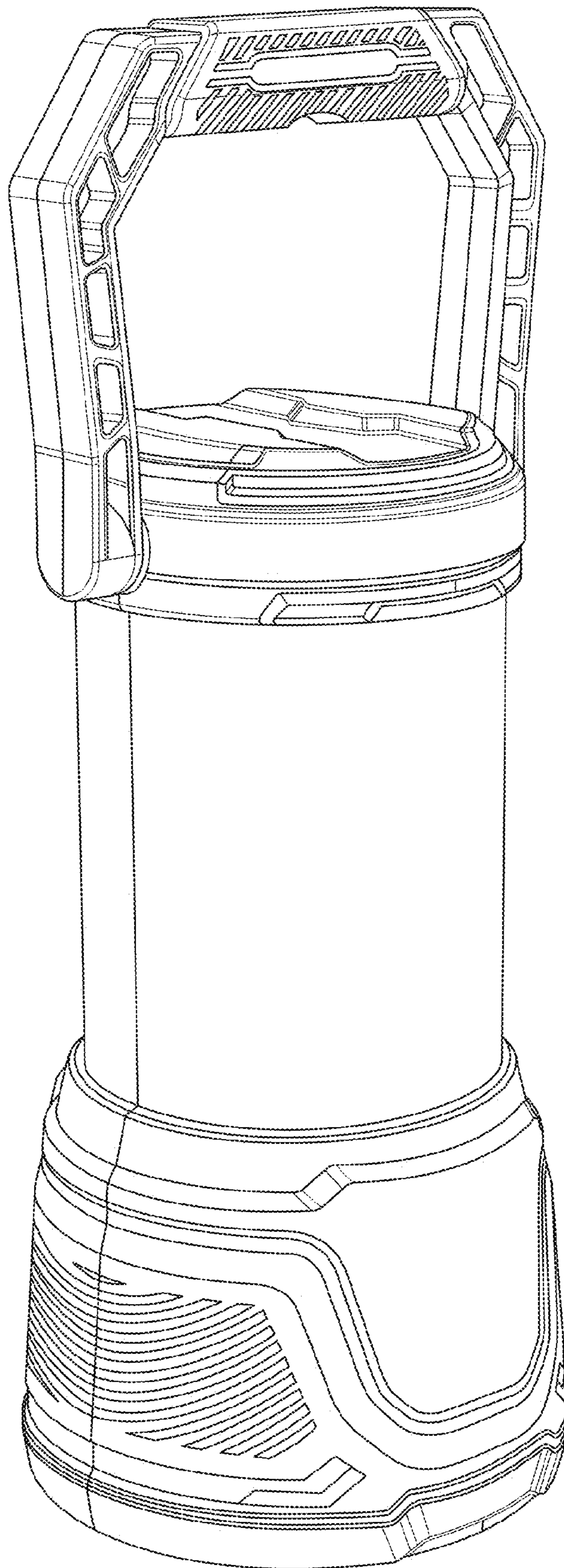


FIG. 8