



US00D923219S

(12) **United States Design Patent**
Zhang

(10) **Patent No.:** **US D923,219 S**

(45) **Date of Patent:** **** Jun. 22, 2021**

(54) **HEADLIGHT**

(71) Applicant: **Yong Zhang**, Ningbo (CN)

(72) Inventor: **Yong Zhang**, Ningbo (CN)

(**) Term: **15 Years**

(21) Appl. No.: **29/752,286**

(22) Filed: **Sep. 25, 2020**

(51) **LOC (13) Cl.** **26-02**

(52) **U.S. Cl.**
USPC **D26/39**

(58) **Field of Classification Search**
USPC D26/37-51
CPC F21L 2/00; F21L 4/00; F21L 4/02; F21L
4/04; F21L 4/08; F21L 4/005; F21L 7/00;
F21L 11/00; F21L 13/00; F21L 13/02;
F21L 13/04; F21L 13/08; F21L 17/00;
F21L 19/00; F21L 25/00

See application file for complete search history.

(56) **References Cited**

U.S. PATENT DOCUMENTS

D712,579 S * 9/2014 Cen D26/39
D724,248 S * 3/2015 Brands D26/39
D742,050 S * 10/2015 Inskeep D26/39

D744,135 S * 11/2015 Menjor D26/39
D750,823 S * 3/2016 Sharrah D26/39
D752,261 S * 3/2016 Ma D26/39
D796,098 S * 8/2017 Grandadam D26/39
D813,432 S * 3/2018 Koshiba D26/39
D843,037 S * 3/2019 Li D26/39
D843,622 S * 3/2019 Karl, IV D26/39
D884,235 S 5/2020 Yau

* cited by examiner

Primary Examiner — Marcus A Jackson

(74) *Attorney, Agent, or Firm* — Justin Lampel

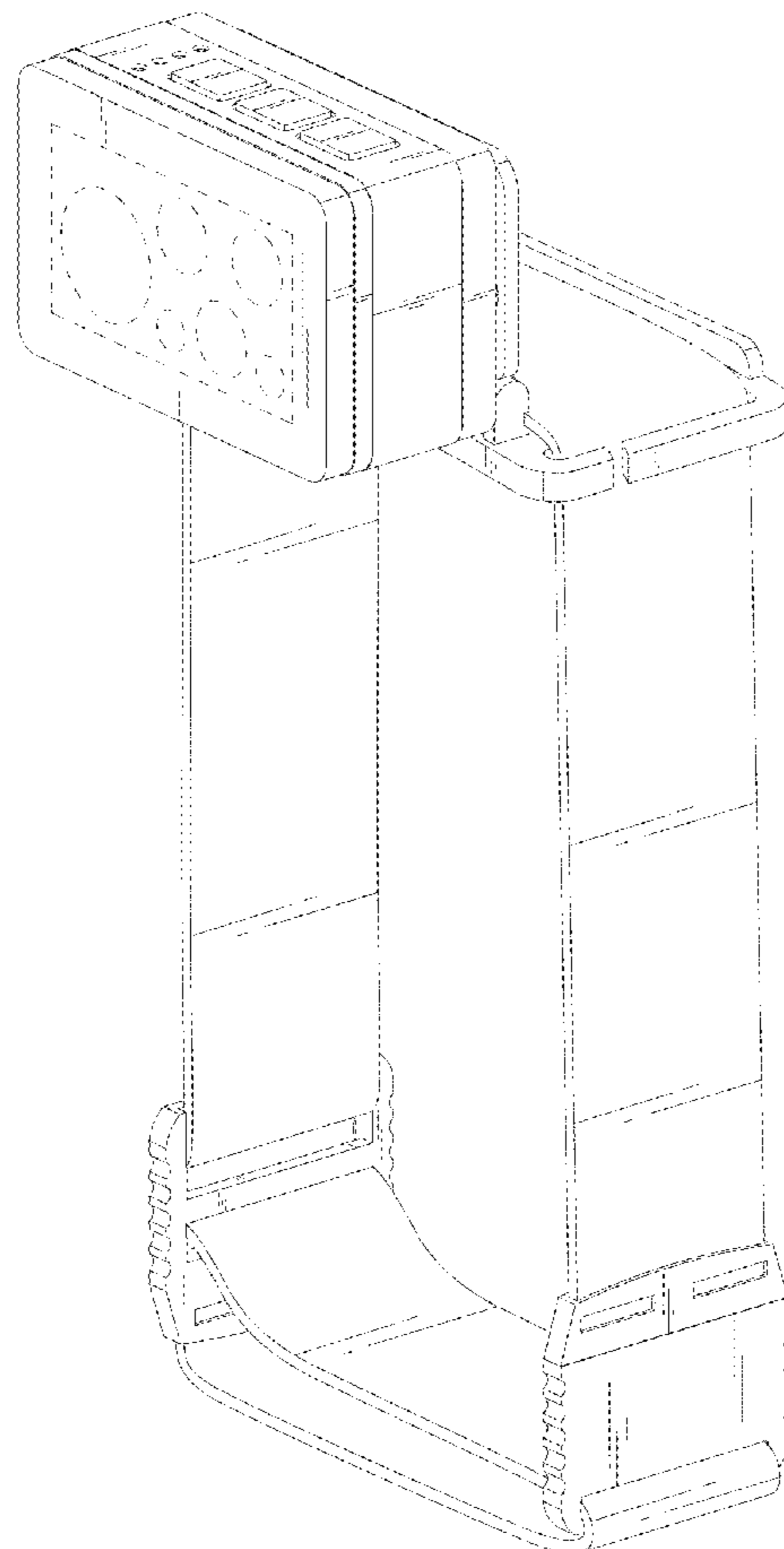
(57) **CLAIM**

The ornamental design for a headlight, as shown and described.

DESCRIPTION

FIG. 1 is a perspective view of a headlight showing the claimed design;
FIG. 2 is a top plan view thereof;
FIG. 3 is a rear elevational view thereof;
FIG. 4 is a bottom plan view thereof;
FIG. 5 is a right side view thereof;
FIG. 6 is a front elevational view thereof; and,
FIG. 7 is a left side view thereof.
The broken lines illustrate portions of the headlight that form no part of the claimed design.

1 Claim, 7 Drawing Sheets



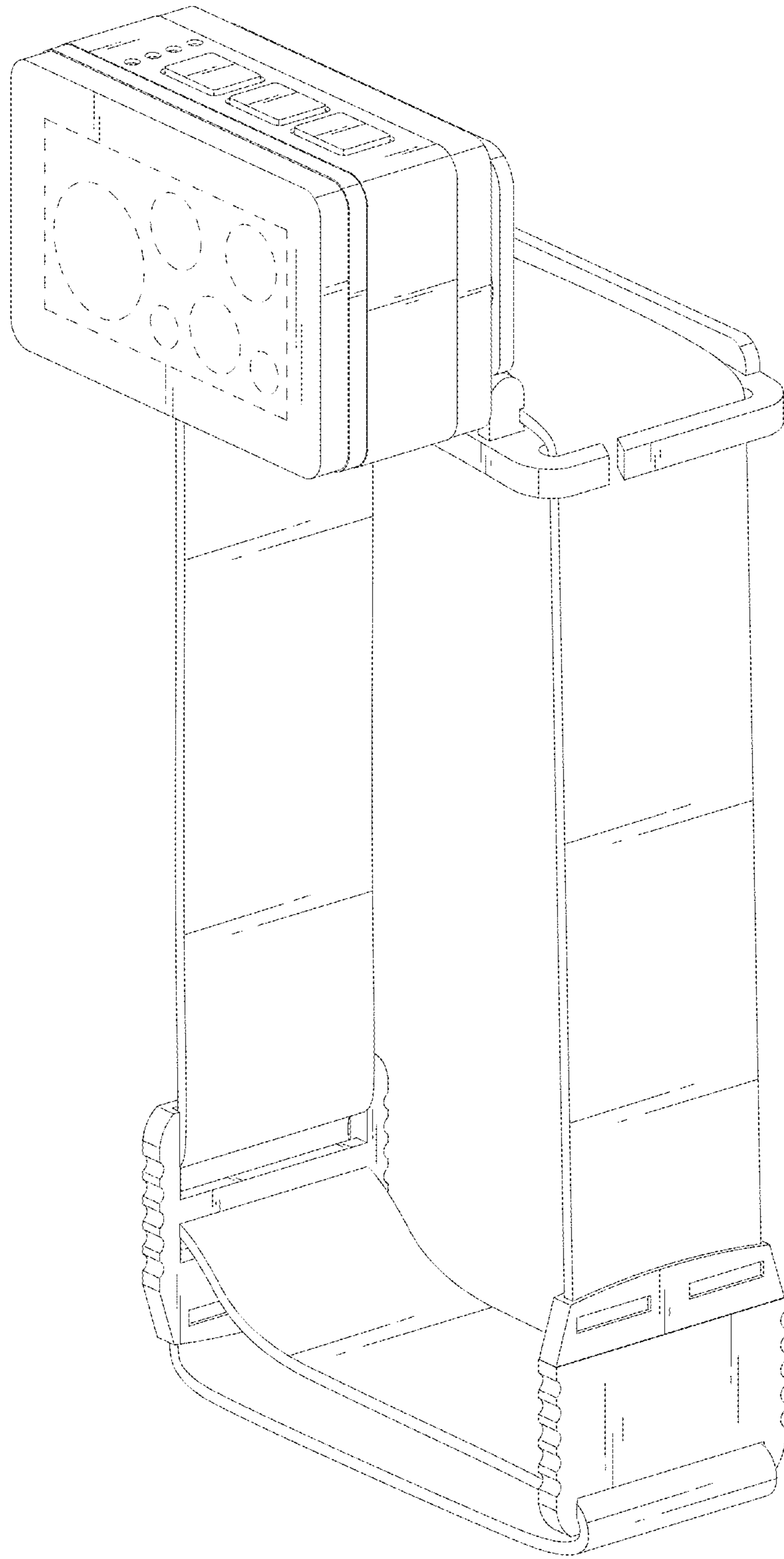


FIG. 1

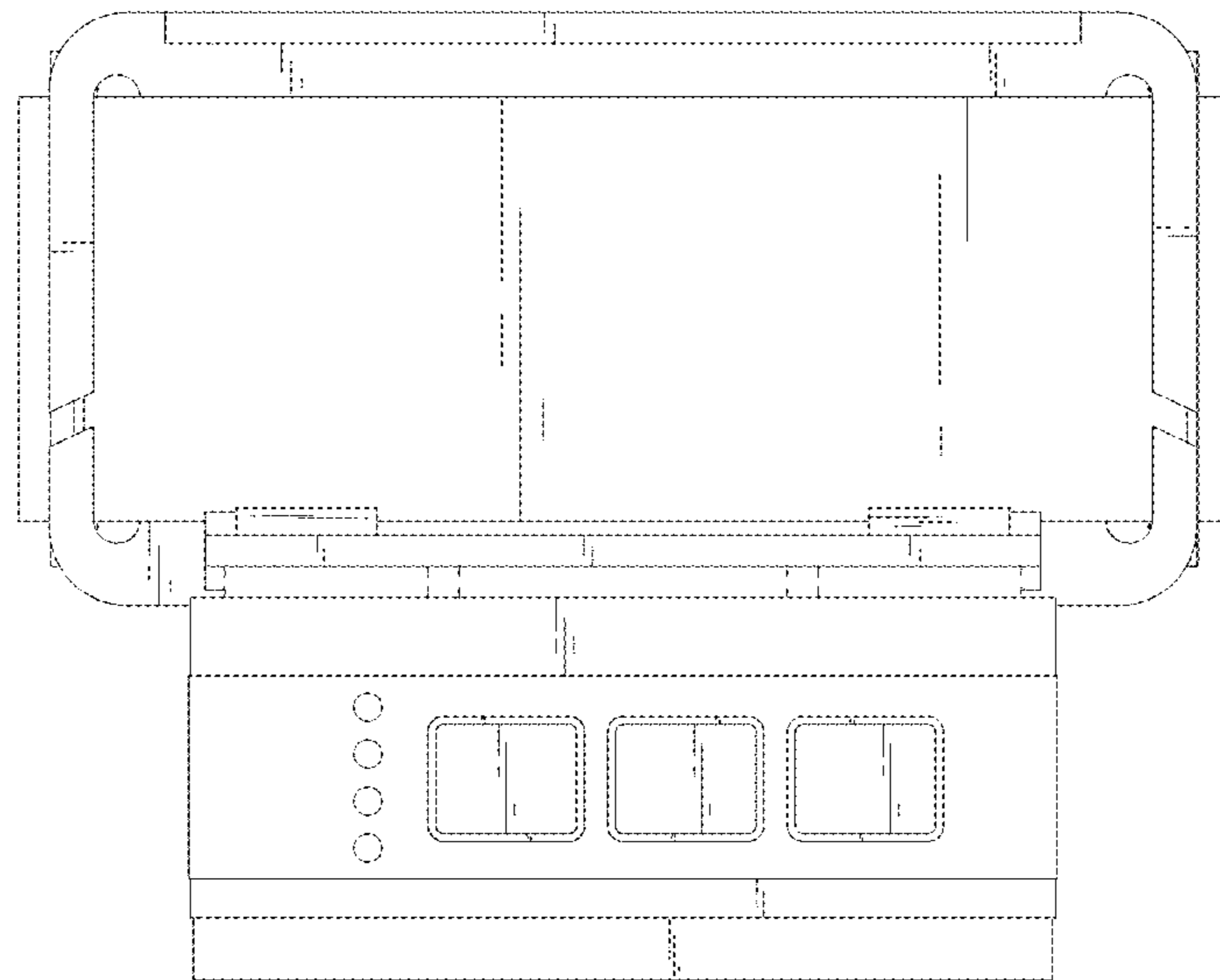


FIG.2

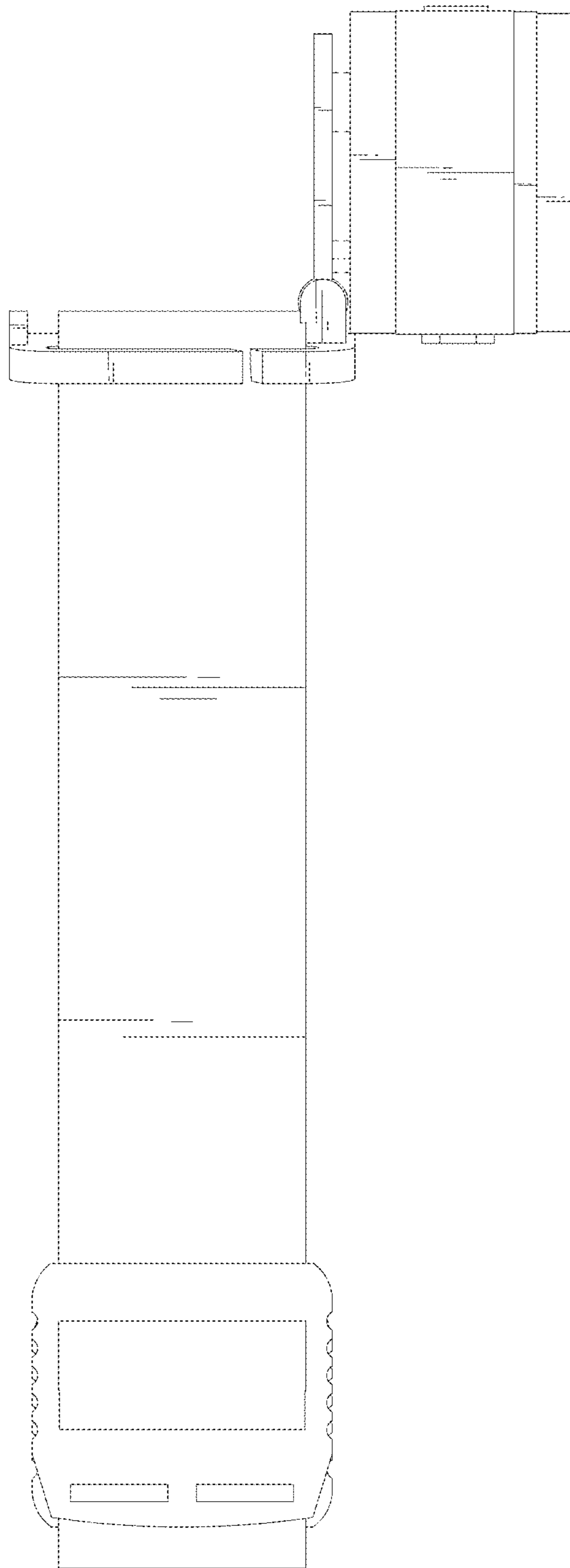


FIG.3

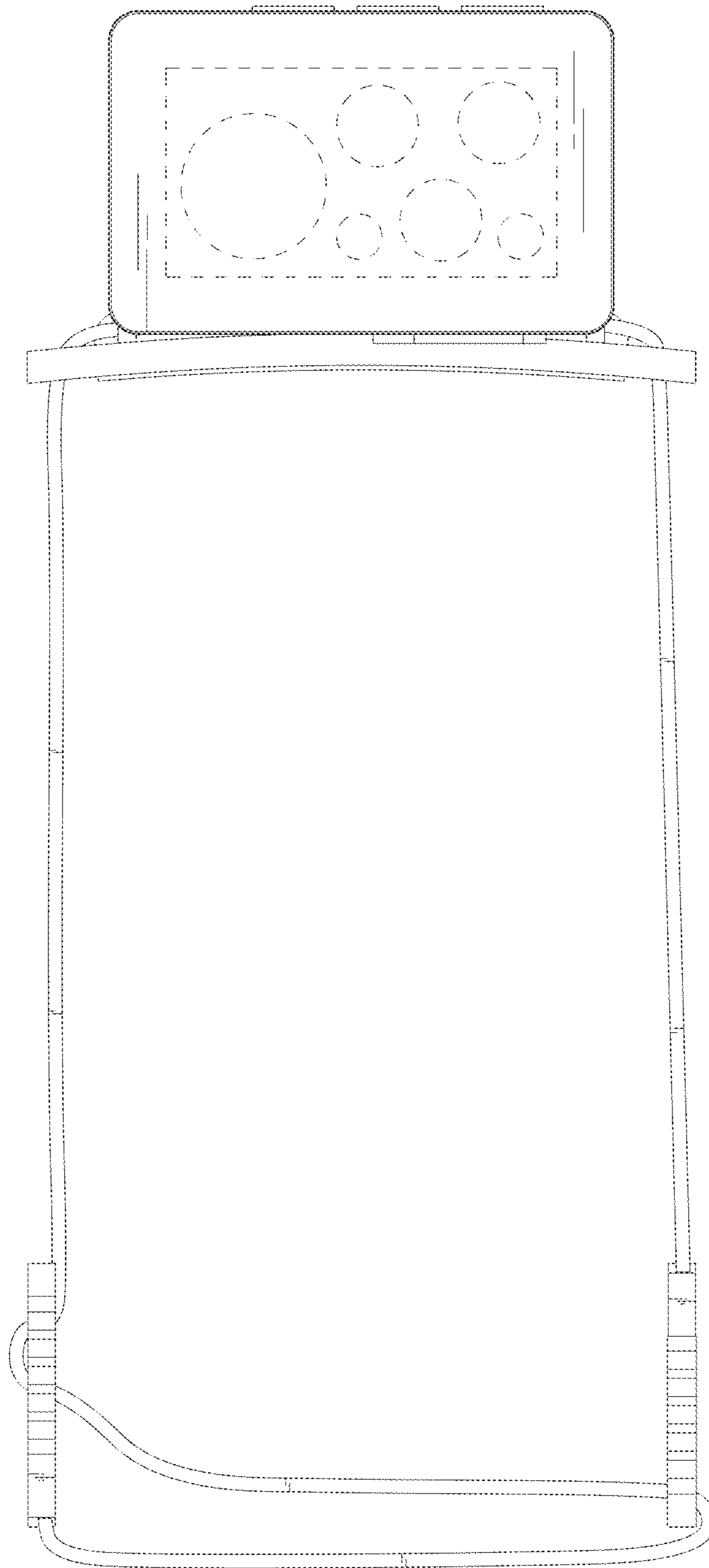


FIG.4

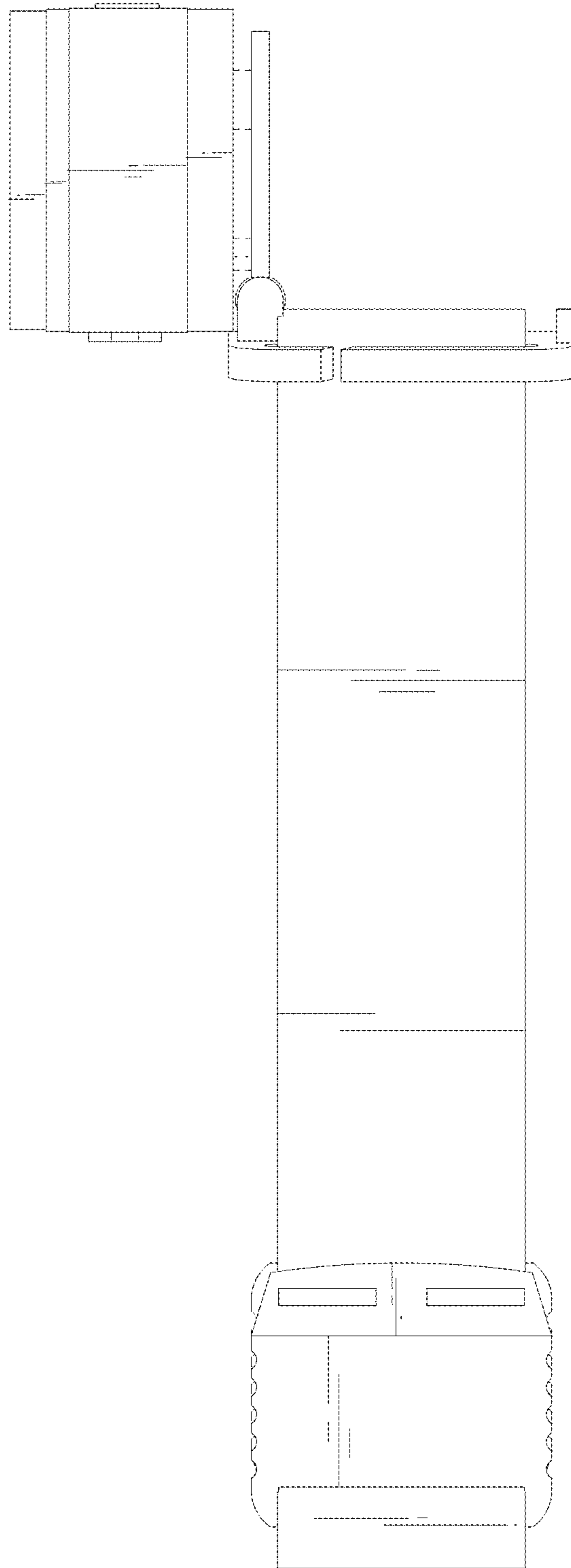


FIG. 5

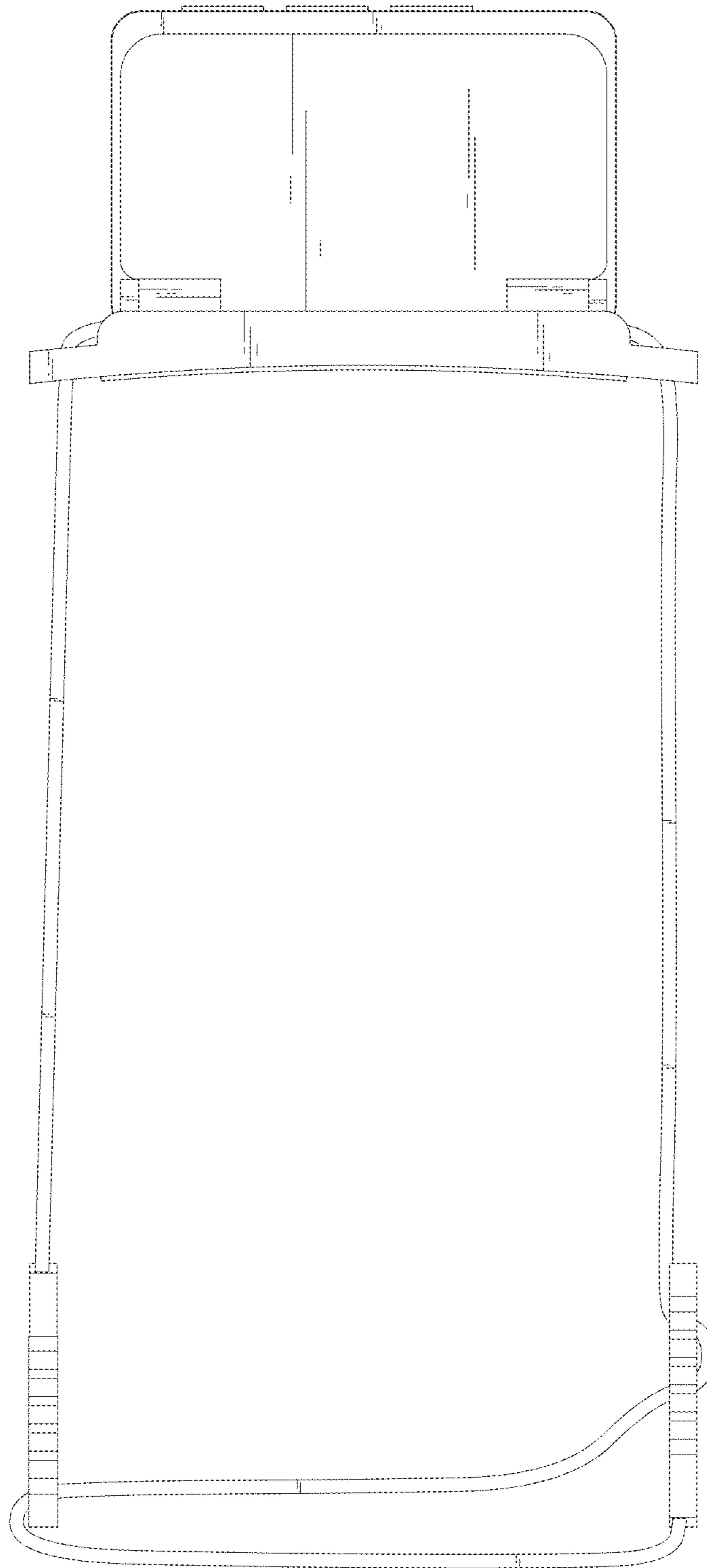


FIG.6

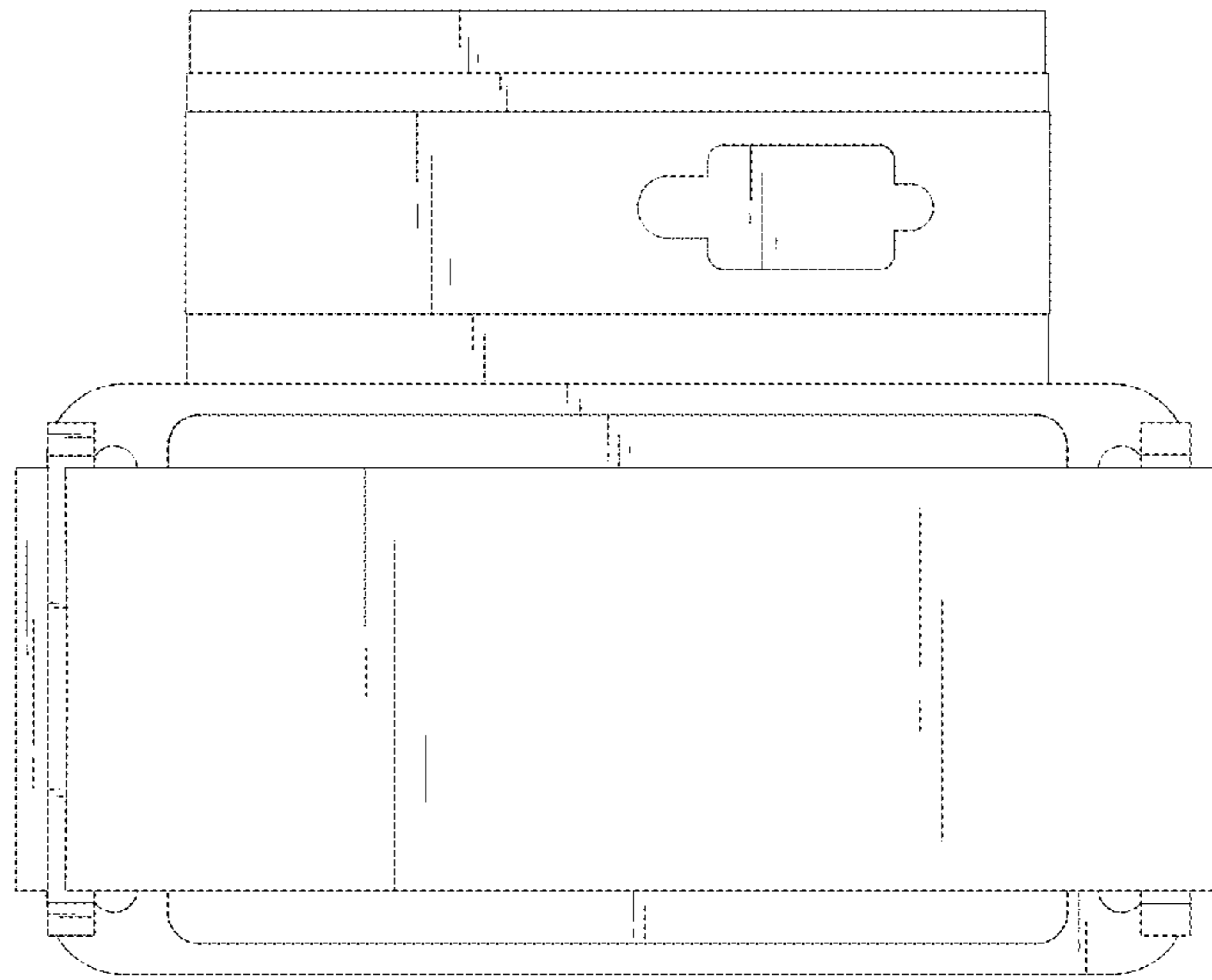


FIG. 7