



US00D923218S

(12) **United States Design Patent** (10) **Patent No.:** **US D923,218 S**  
**Lee et al.** (45) **Date of Patent:** **\*\* Jun. 22, 2021**

(54) **REAR COMBINATION LAMP FOR AUTOMOBILES**

(71) Applicants: **KIA MOTORS CORPORATION**, Seoul (KR); **HYUNDAI MOTOR COMPANY**, Seoul (KR)

(72) Inventors: **Seung-Jin Lee**, Hwaseong-si (KR); **Jin-Ho Na**, Yongin-si (KR); **Sung-Wook Kim**, Gunpo-si (KR)

(\*\*) Term: **15 Years**

(21) Appl. No.: **35/508,995**

(22) Filed: **Dec. 20, 2019**

(80) **Hague Agreement Data**

Int. Filing Date: **Dec. 20, 2019**  
Int. Reg. No.: **DM/206644**  
Int. Reg. Date: **Dec. 20, 2019**  
Int. Reg. Pub. Date: **Apr. 3, 2020**

(30) **Foreign Application Priority Data**

Oct. 2, 2019 (KR) ..... 30-2019-0047274

(51) **LOC (13) Cl.** ..... **26-06**

(52) **U.S. Cl.**  
USPC ..... **D26/28**

(58) **Field of Classification Search**  
USPC ..... D26/28, 29, 34, 35, 36  
CPC ..... B60Q 1/30; B60Q 1/2607; B60Q 1/2619;  
B60Q 1/2696; F21S 41/00; F21S 41/20;  
F21S 41/30; F21S 43/14; F21S 43/15;  
F21S 43/20

See application file for complete search history.

(56) **References Cited**

U.S. PATENT DOCUMENTS

D736,431 S \* 8/2015 Park ..... D26/28  
D749,764 S \* 2/2016 Sa ..... D26/28

D749,765 S \* 2/2016 Sa ..... D26/28  
D842,511 S \* 3/2019 Kang ..... D26/28  
D857,956 S \* 8/2019 Han ..... D26/28  
D858,826 S \* 9/2019 Han ..... D26/28  
D867,636 S \* 11/2019 Kong ..... D26/28  
D868,322 S \* 11/2019 Kong ..... D26/28  
D870,335 S \* 12/2019 Choi ..... D26/28  
D903,164 S \* 11/2020 Choi ..... D26/28

**FOREIGN PATENT DOCUMENTS**

CR 306244437 \* 12/2020  
KR 301071025.0000 \* 8/2020  
KR 301071026.0000 \* 8/2020

\* cited by examiner

*Primary Examiner* — Kevin K Rudzinski

*Assistant Examiner* — Richard Kearney

(57) **CLAIM**

The ornamental design for a rear combination lamp for automobiles, as shown and described.

**DESCRIPTION**

1. Rear combination lamp for automobiles

1.1 : Perspective

1.2 : Front

1.3 : Back

1.4 : Left

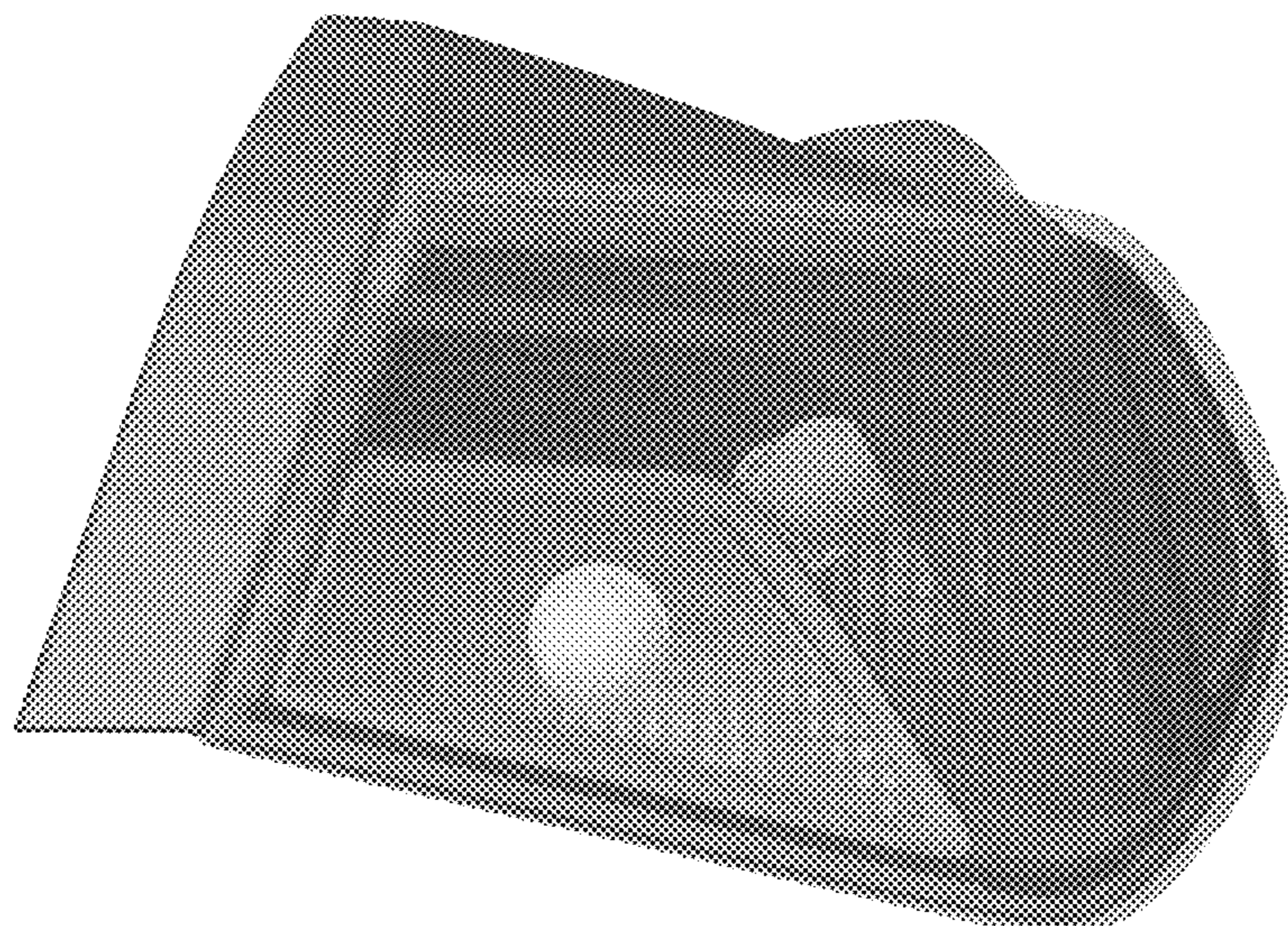
1.5 : Right

1.6 : Top

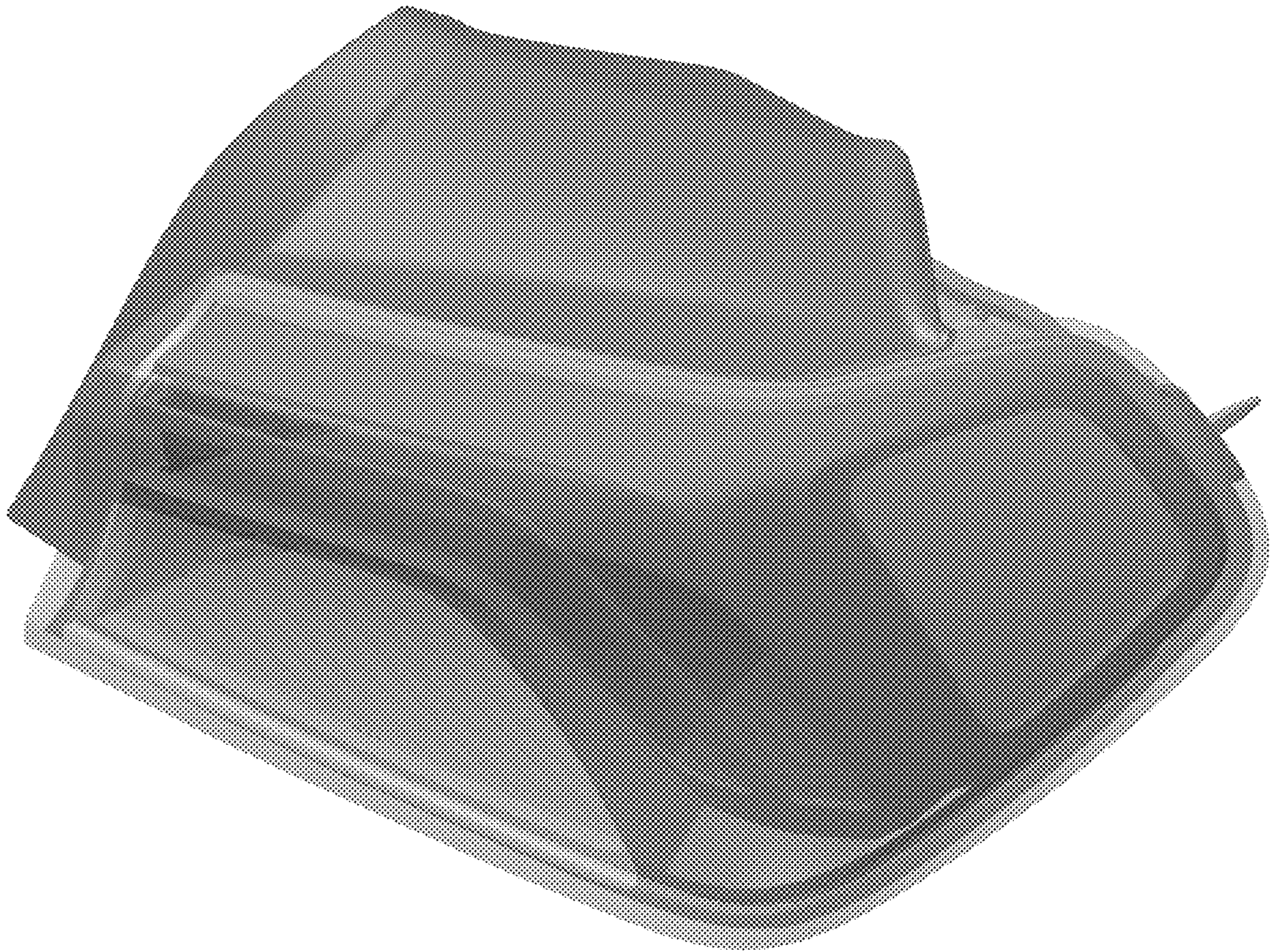
1.7 : Bottom

1.1 is a perspective view of a rear combination lamp for automobiles showing our new design; 1.2 is a front elevation view thereof; 1.3 is a back elevation view thereof; 1.4 is a left side elevation view thereof; 1.5 is a right side elevation view thereof; 1.6 is a top plan view thereof; and 1.7 is a bottom plan view thereof.

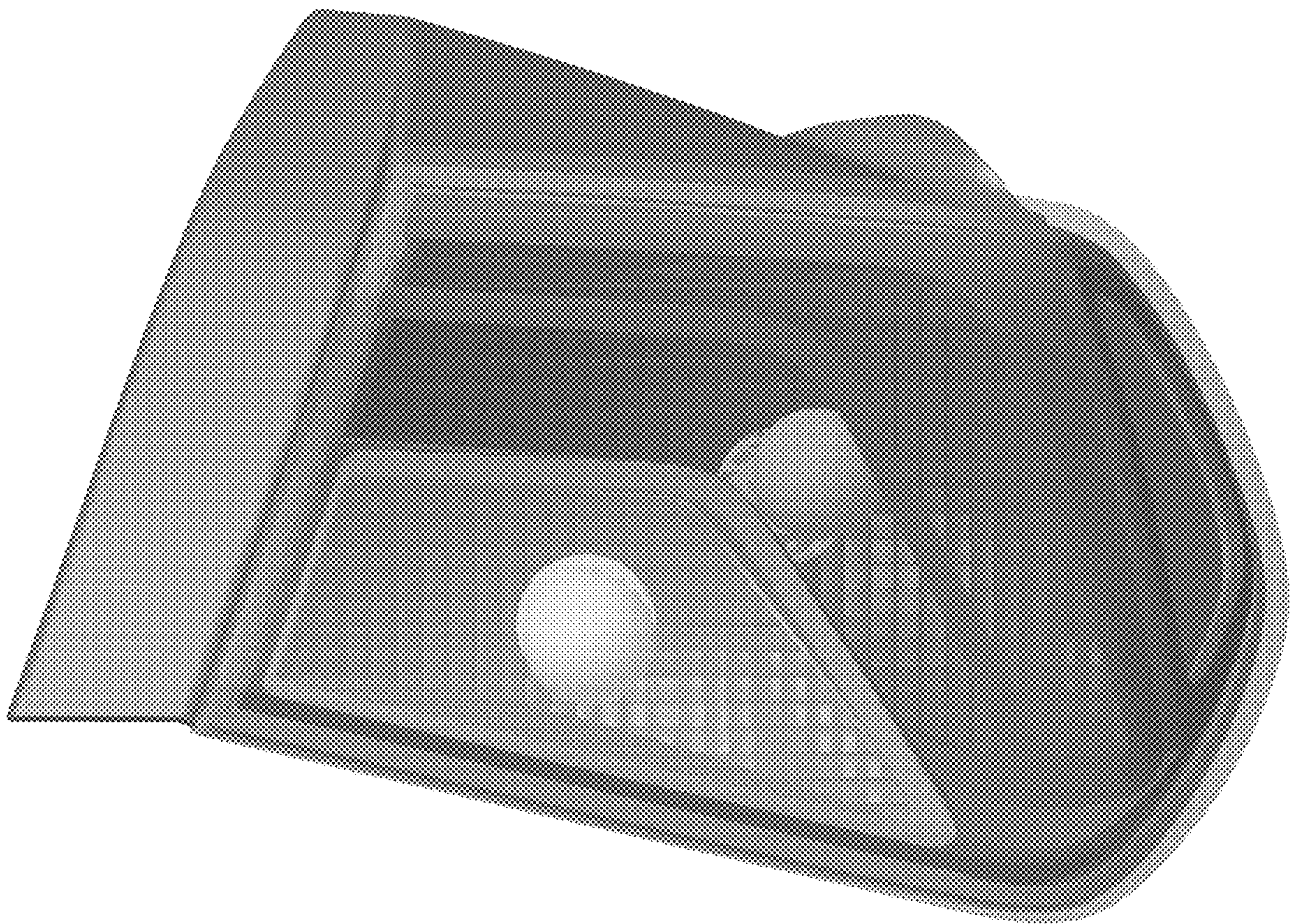
**1 Claim, 7 Drawing Sheets**



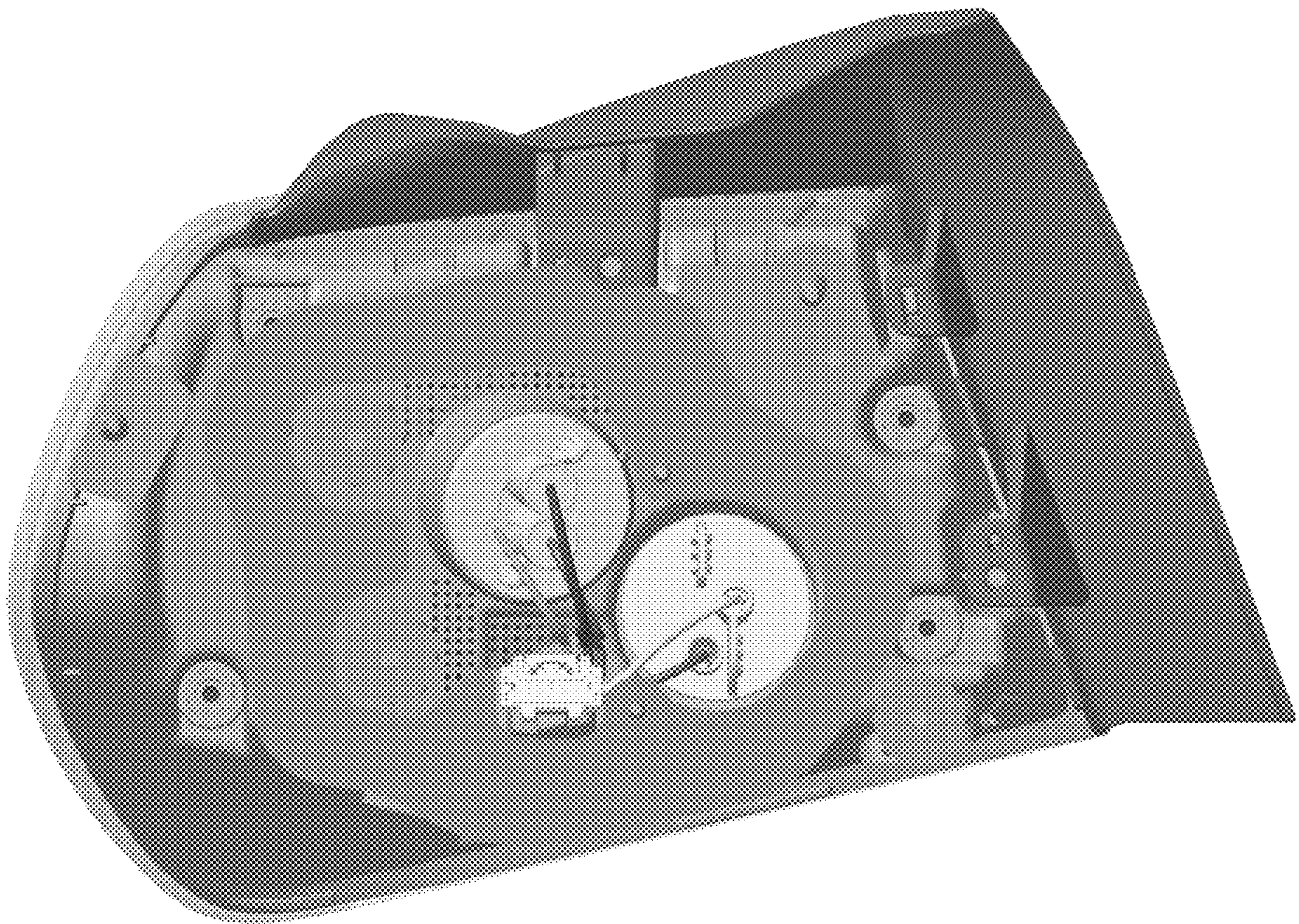
1.1



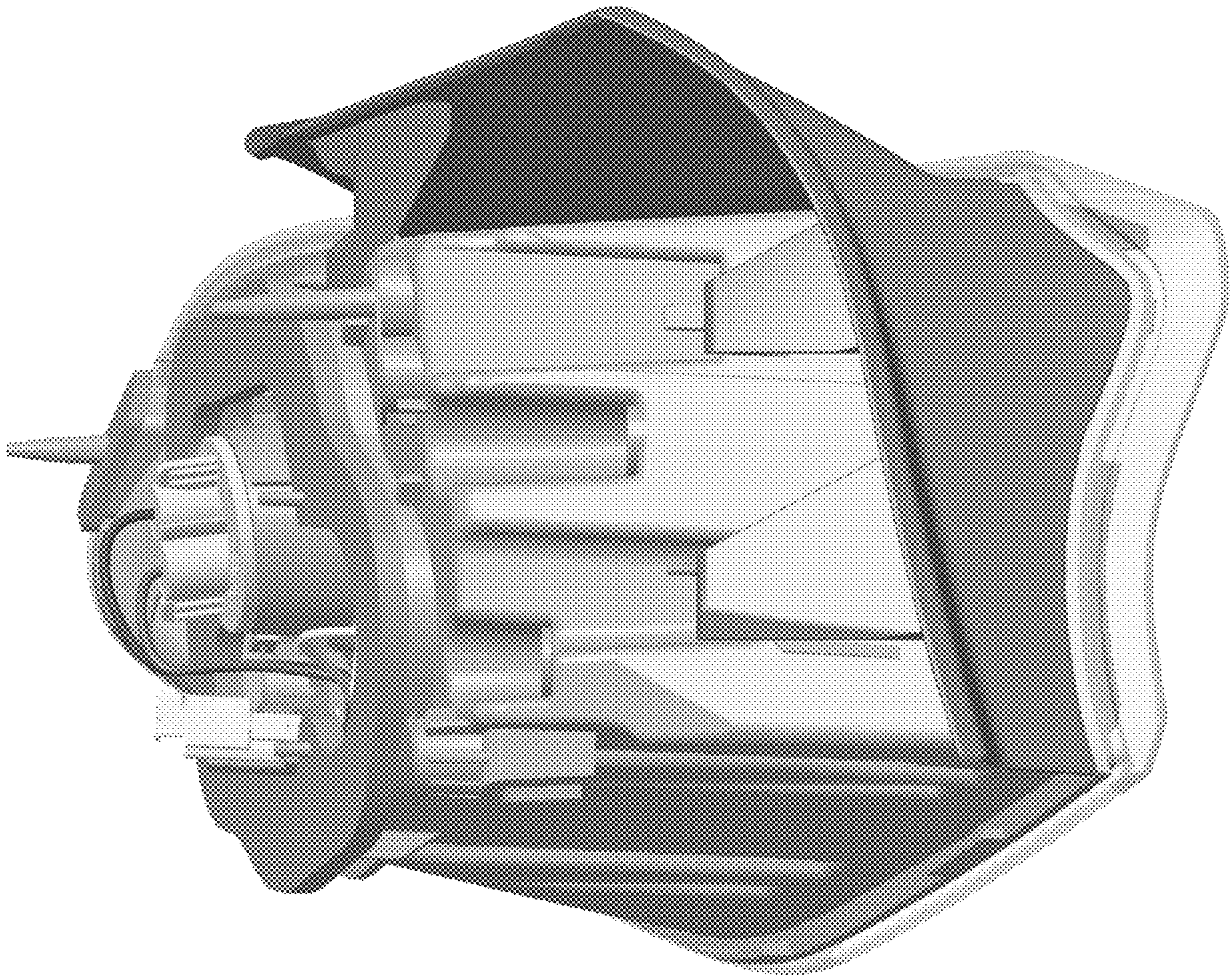
1.2



1.3



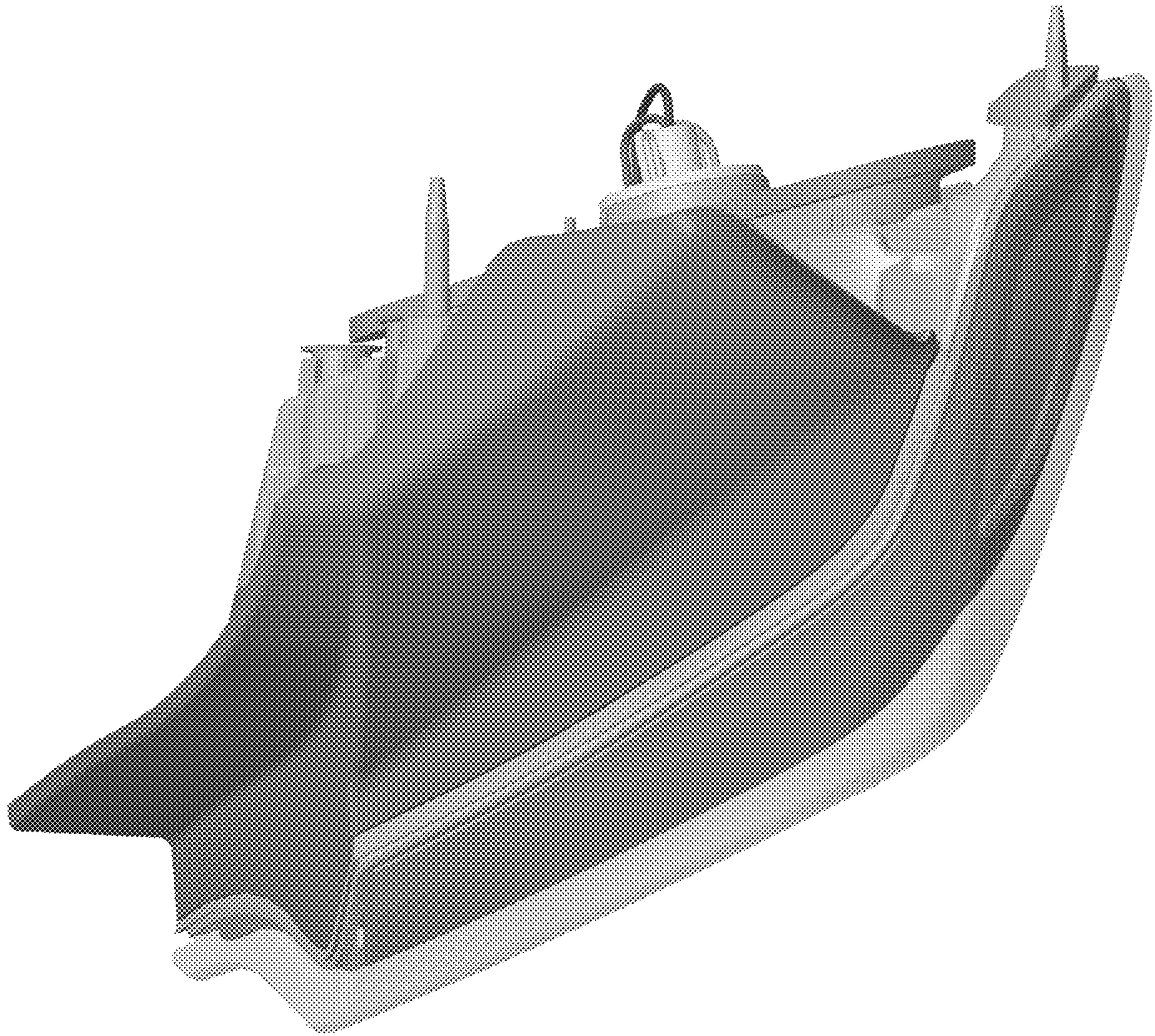
1.4



1.5



1.6



1.7

