



US00D923217S

(12) **United States Design Patent** (10) **Patent No.:** **US D923,217 S**
Lee et al. (45) **Date of Patent:** **** Jun. 22, 2021**

(54) **REAR COMBINATION LAMP FOR AUTOMOBILES**

(71) Applicants: **HYUNDAI MOTOR COMPANY**, Seoul (KR); **KIA MOTORS CORPORATION**, Seoul (KR)

(72) Inventors: **Ji-Heon Lee**, Anyang-si (KR); **Woo-Joo Jung**, Anyang-si (KR)

(**) Term: **15 Years**

(21) Appl. No.: **35/508,732**

(22) Filed: **May 15, 2019**

(80) **Hague Agreement Data**

Int. Filing Date: **May 15, 2019**

Int. Reg. No.: **DM/206197**

Int. Reg. Date: **May 15, 2019**

Int. Reg. Pub. Date: **Mar. 6, 2020**

(51) **LOC (13) Cl.** **26-07**

(52) **U.S. Cl.**
USPC **D26/28**
CPC **F21S 43/00** (2018.01)

(58) **Field of Classification Search**
USPC D26/28-36; 362/45-468, 475-478, 362/485-487
CPC .. F21S 41/00; F21S 43/00; F21S 43/20; F21S 43/26
See application file for complete search history.

(56) **References Cited**

U.S. PATENT DOCUMENTS

D412,214 S * 7/1999 Hejtmanek D26/28
D679,432 S * 4/2013 Frenzel D26/28
D714,978 S * 10/2014 Lee D26/28
D716,478 S * 10/2014 Loeb D26/28
D720,484 S * 12/2014 Nordmann D26/28
D739,583 S * 9/2015 Forsgren D26/28
D749,247 S * 2/2016 Han D26/28

D749,248 S * 2/2016 Gorsten Schuenemann .. D26/28
D749,759 S * 2/2016 Beaven D26/28
D755,420 S * 5/2016 Ko D26/28
D761,979 S * 7/2016 Wu D26/28
D761,982 S * 7/2016 Akita D26/28
D764,082 S * 8/2016 Frascella D26/28
D767,803 S * 9/2016 Faghihzadeh D26/28
D769,485 S * 10/2016 Morikawa D26/28
D776,312 S * 1/2017 Han D26/28
D776,313 S * 1/2017 Han D26/28
D794,843 S * 8/2017 Han D26/28
D794,850 S * 8/2017 Kim D26/28
D797,330 S * 9/2017 Katou D26/28
D806,919 S * 1/2018 Hatton D26/28
D806,921 S * 1/2018 Ryu D26/28
D808,048 S * 1/2018 Hannemann D26/28
D810,974 S * 2/2018 Sato D26/28
D810,977 S * 2/2018 Piscitelli D26/28
D811,633 S * 2/2018 Gould D26/28
D812,271 S * 3/2018 Katagiri D26/28
D812,273 S * 3/2018 Wu D26/28
D812,792 S * 3/2018 Jae D26/28
D834,226 S * 11/2018 Lee D26/28
D834,227 S * 11/2018 Lee D26/28
D834,228 S * 11/2018 Lee D26/28
D834,229 S * 11/2018 Lee D26/28
D834,230 S * 11/2018 Lee D26/28
D841,202 S * 2/2019 Badstuebner D26/28

* cited by examiner

Primary Examiner — Richard E Chilcot

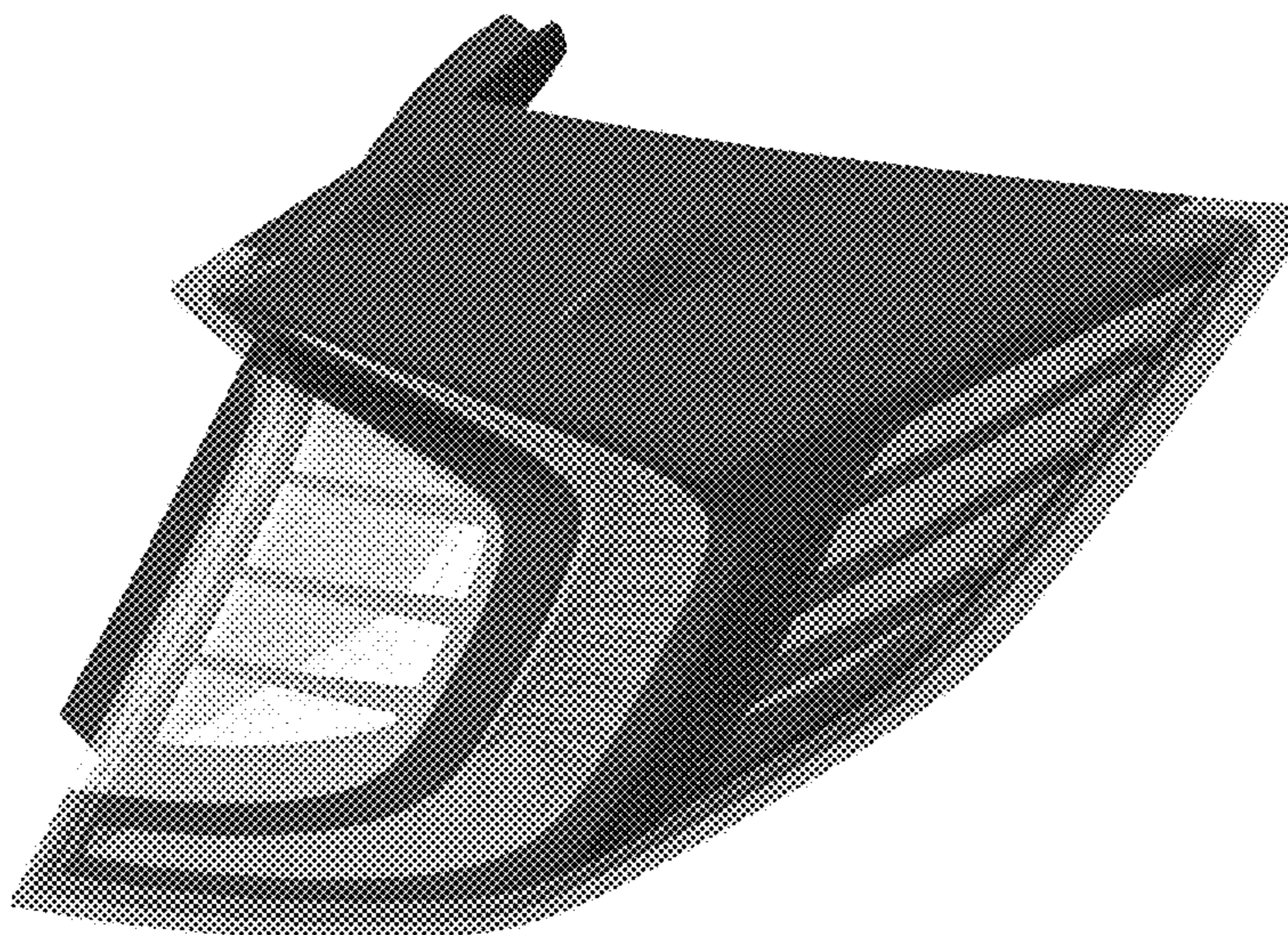
(57) **CLAIM**

The ornamental design for a rear combination lamp for automobiles, as shown and described.

DESCRIPTION

1. Rear combination lamp for automobiles
1.1 is a perspective view of a rear combination lamp for automobiles showing our new design; **1.2** is a front elevation view thereof; **1.3** is a rear elevation view thereof; **1.4** is a left side elevation view thereof; **1.5** is a right side elevation view thereof; **1.6** is a top plan view thereof; and **1.7** is a bottom plan view thereof.

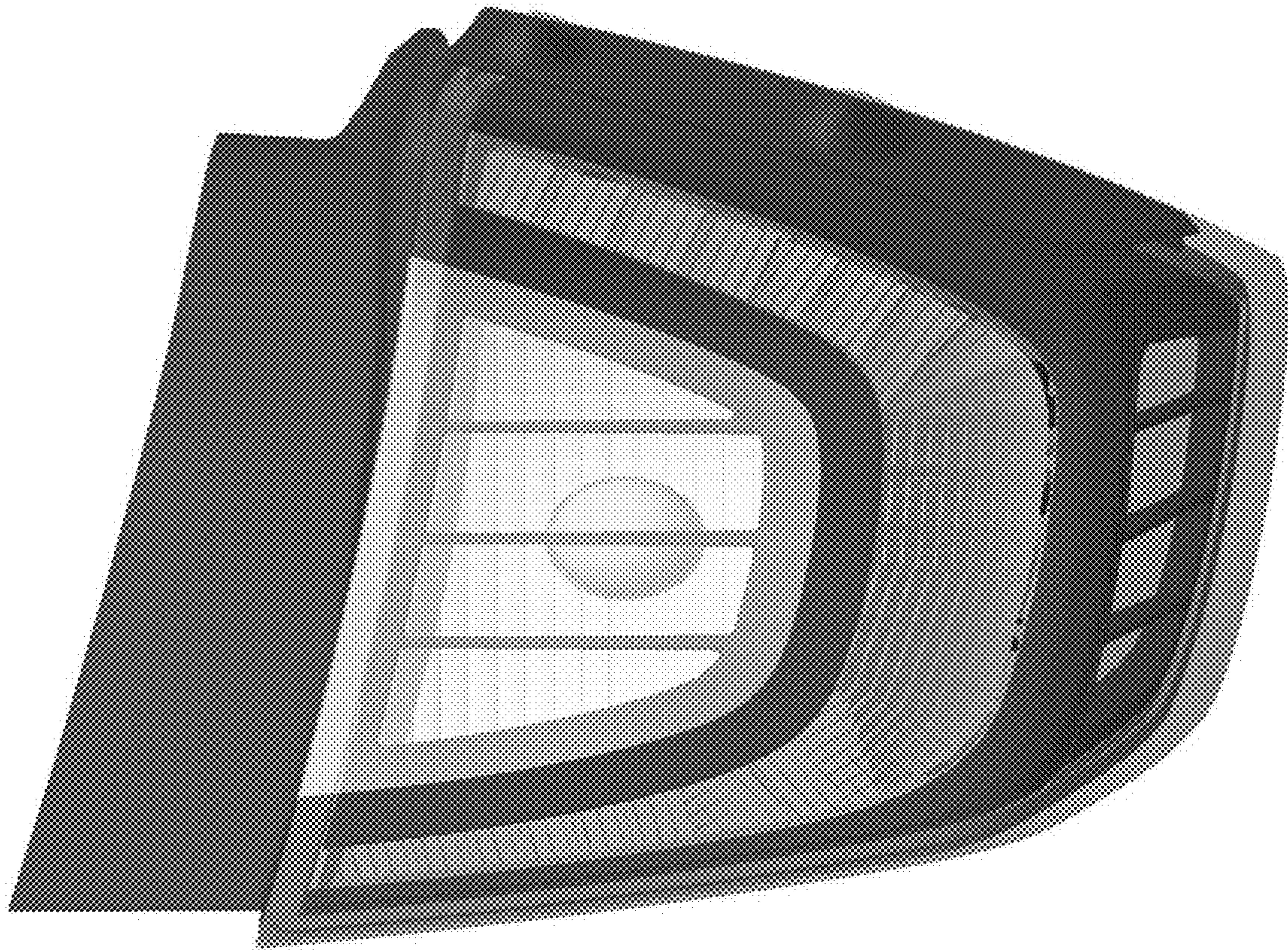
1 Claim, 7 Drawing Sheets



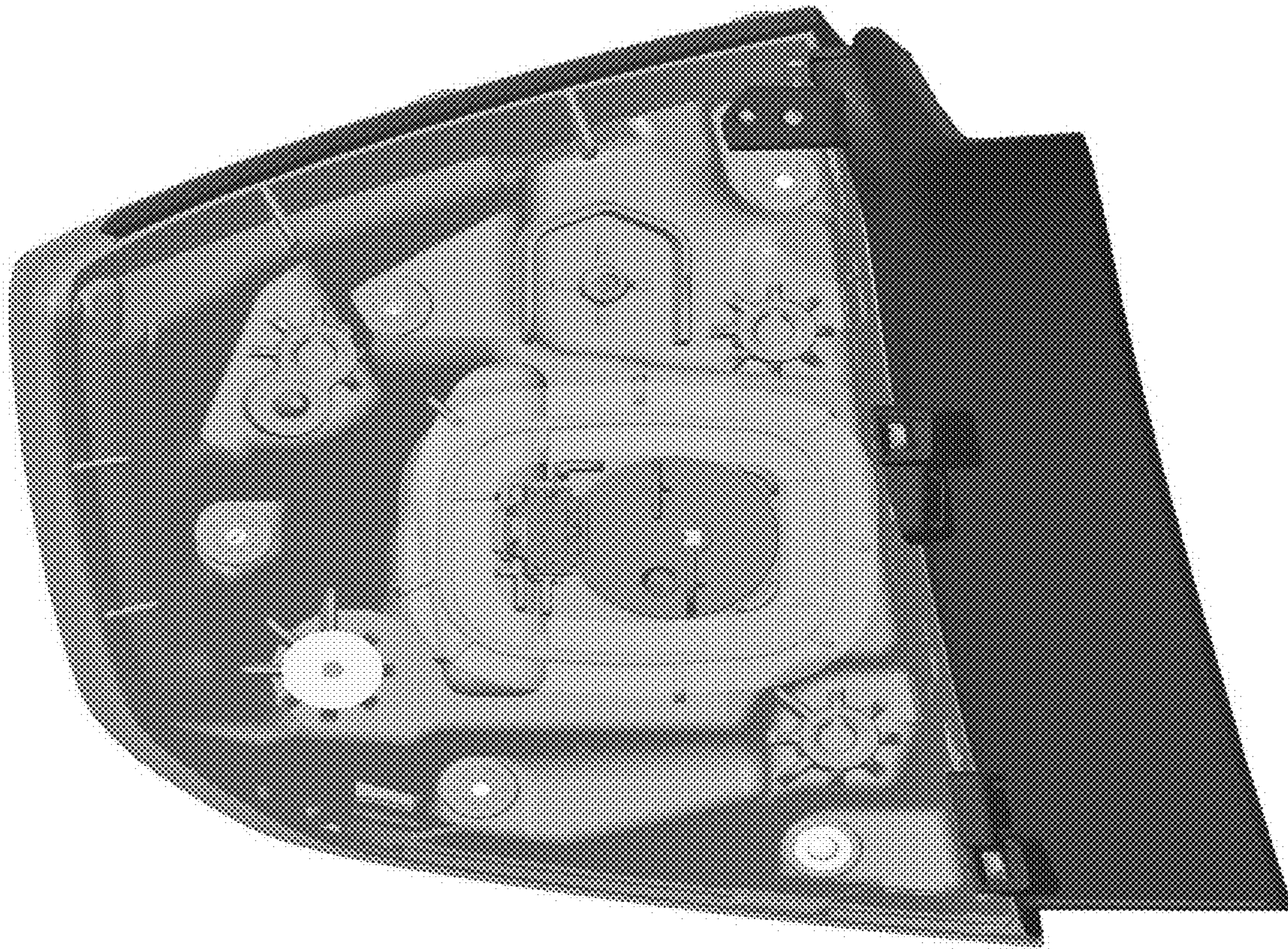
1.1



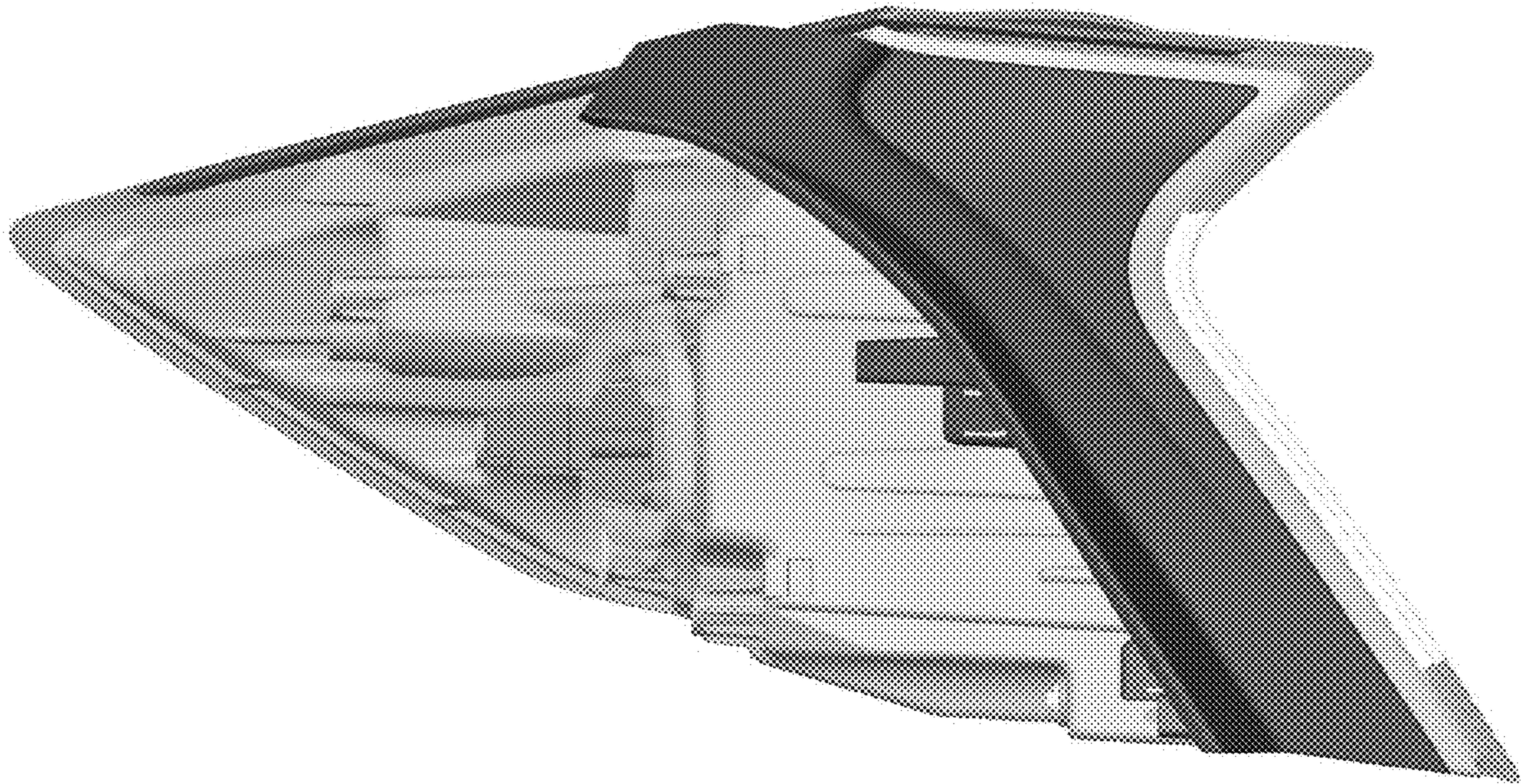
1.2



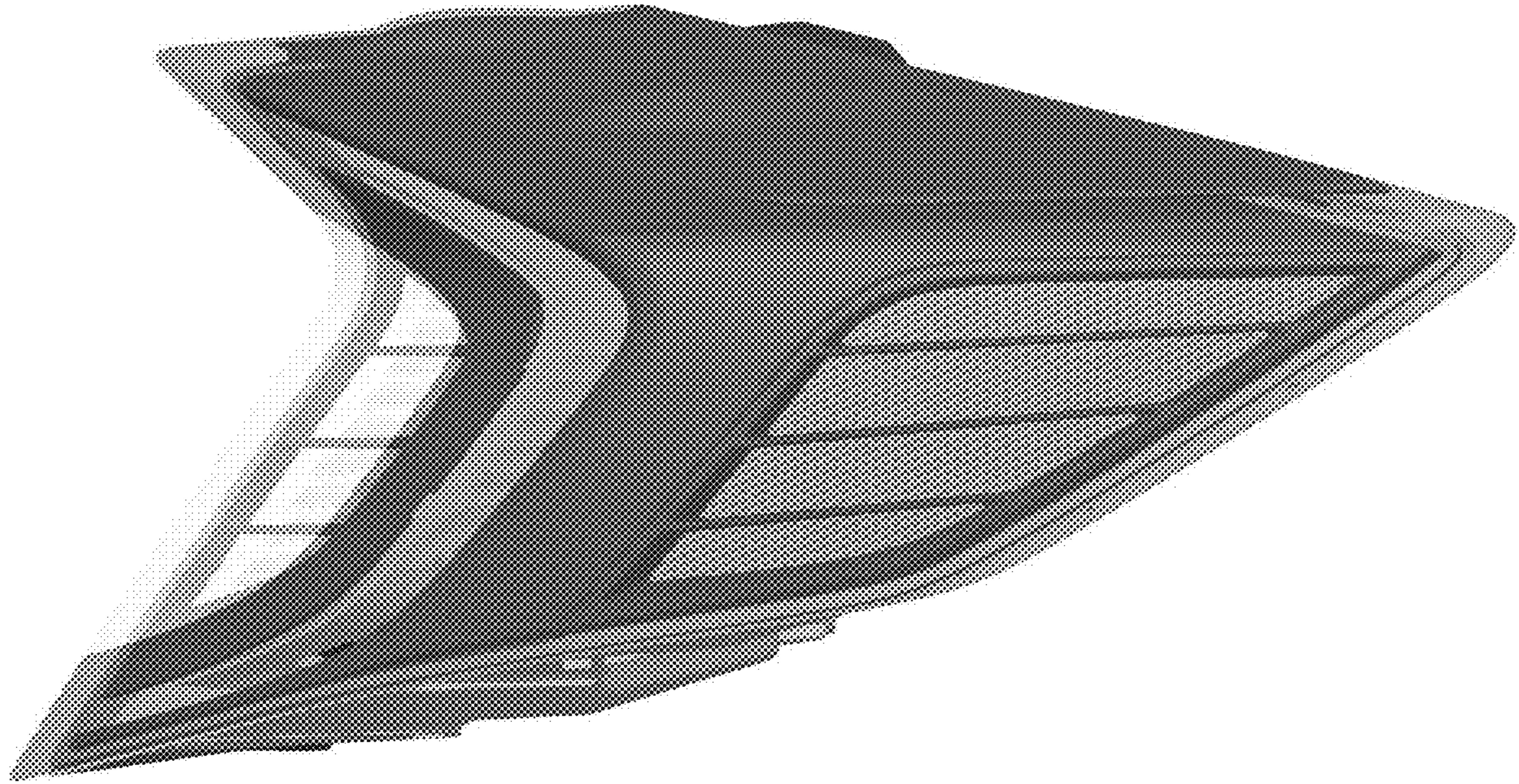
1.3



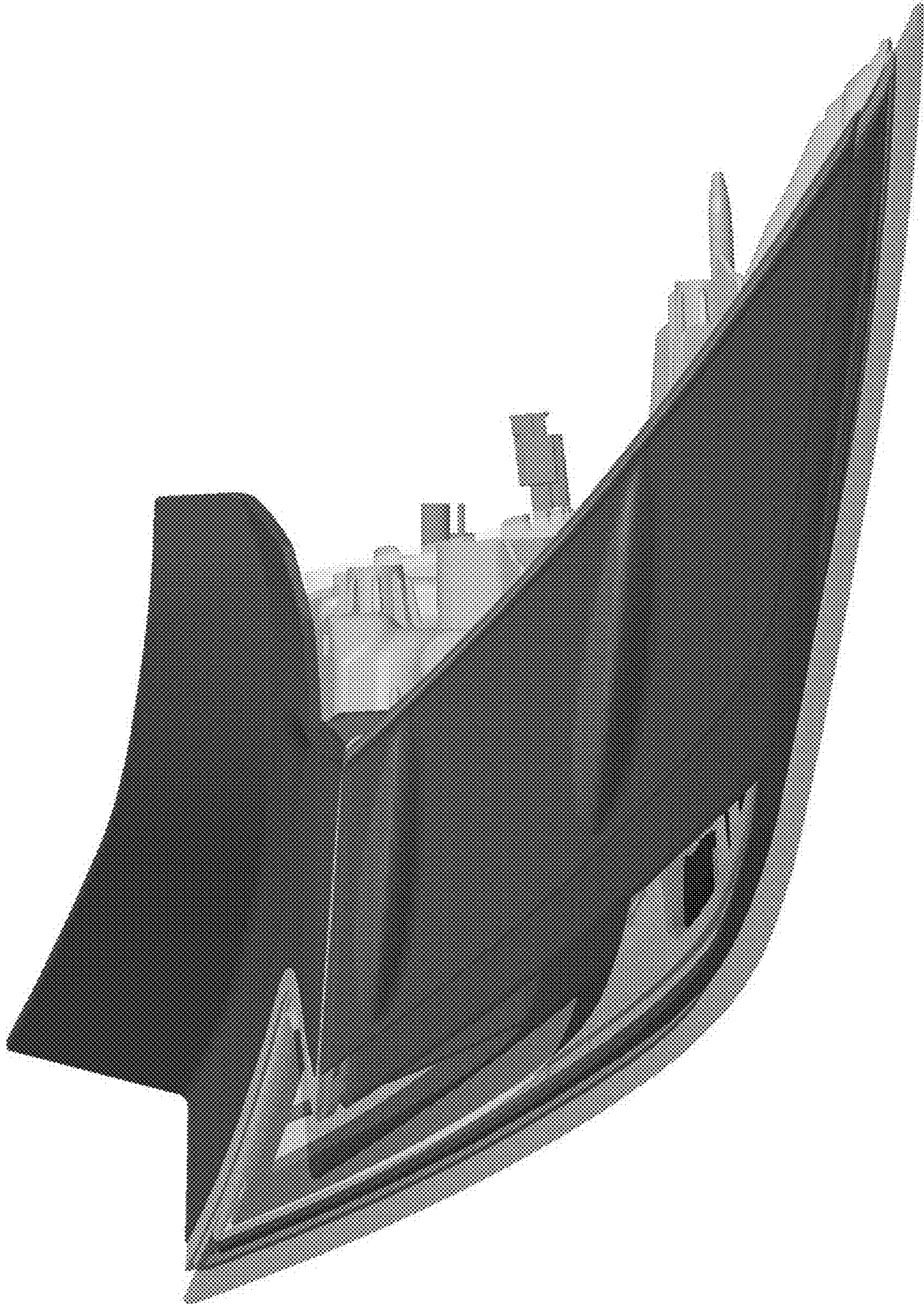
1.4



1.5



1.6



1.7

