



US00D923216S

(12) **United States Design Patent**
Zhang

(10) **Patent No.:** **US D923,216 S**

(45) **Date of Patent:** **** Jun. 22, 2021**

(54) **HEADLIGHT**

(71) Applicant: **Yong Zhang**, Ningbo (CN)

(72) Inventor: **Yong Zhang**, Ningbo (CN)

(**) Term: **15 Years**

(21) Appl. No.: **29/764,024**

(22) Filed: **Dec. 28, 2020**

(51) **LOC (13) Cl.** **26-06**

(52) **U.S. Cl.**
USPC **D26/28**

(58) **Field of Classification Search**
USPC D26/28-36, 139
CPC F21S 48/00; F21S 48/10; F21S 48/115;
F21S 48/225; F21S 48/1233; F21S
48/1266; F21S 48/1388; F21S 48/2268;
F21V 5/00; F21V 21/04; F21V 29/004;
B60Q 9/13; B60Q 9/135; B60Q 9/1375
See application file for complete search history.

(56) **References Cited**

U.S. PATENT DOCUMENTS

D512,790 S * 12/2005 Handsaker D26/28
D549,367 S * 8/2007 Hovind D26/28

D583,490 S * 12/2008 Rogers D26/28
D745,720 S * 12/2015 Chang D26/28
D883,529 S * 5/2020 Tsai D26/28
D901,729 S 11/2020 Zou

* cited by examiner

Primary Examiner — Marcus A Jackson

(74) *Attorney, Agent, or Firm* — Justin Lampel

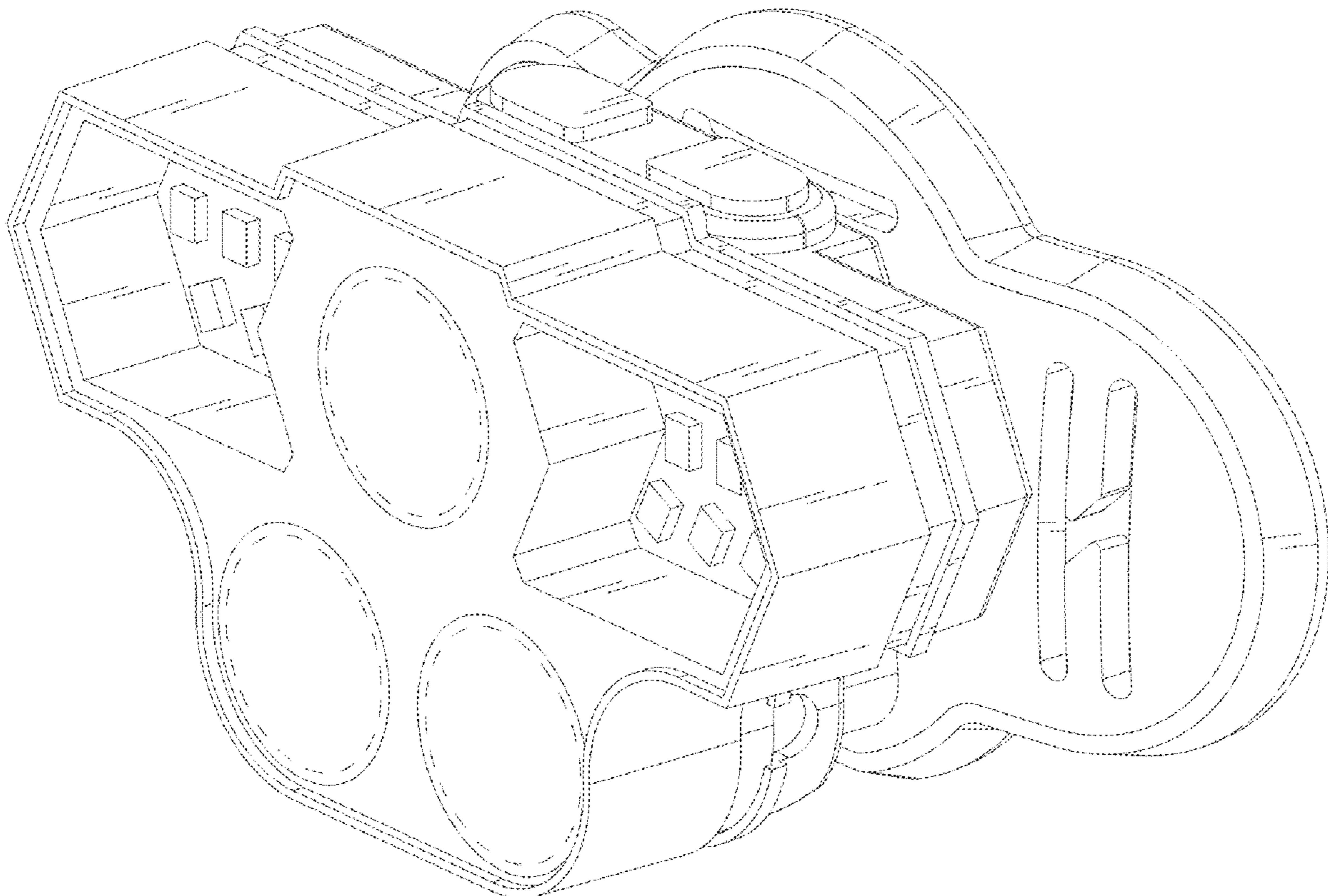
(57) **CLAIM**

The ornamental design for a headlight, as shown and described.

DESCRIPTION

FIG. 1 is a perspective view of a headlight showing the claimed design;
FIG. 2 is a top plan view thereof;
FIG. 3 is a rear elevational view thereof;
FIG. 4 is a bottom plan view thereof;
FIG. 5 is a right side view thereof;
FIG. 6 is a front elevational view thereof; and,
FIG. 7 is a left side view thereof.
The broken lines illustrate portions of the headlight that form no part of the claimed design.

1 Claim, 7 Drawing Sheets



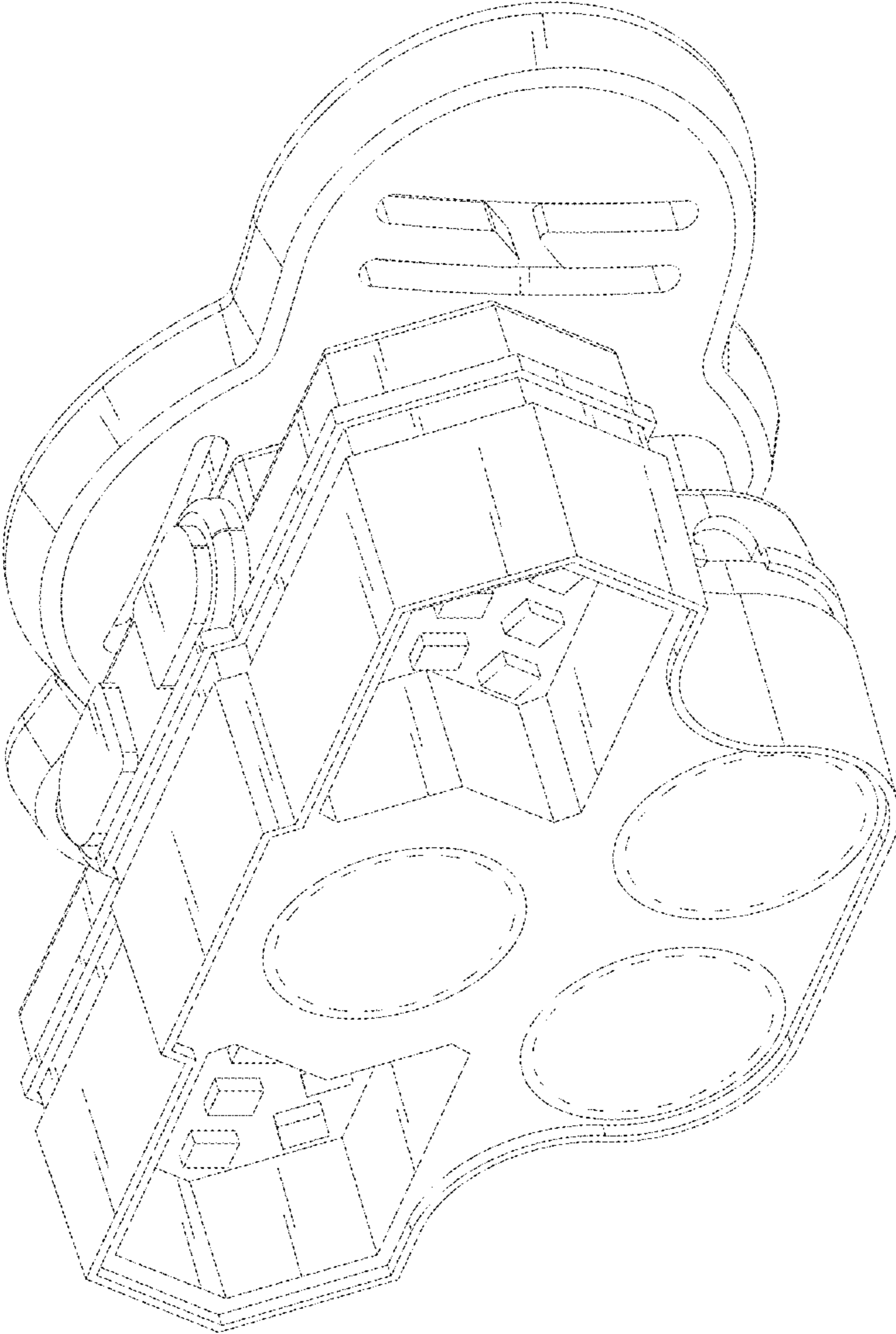


FIG. 1

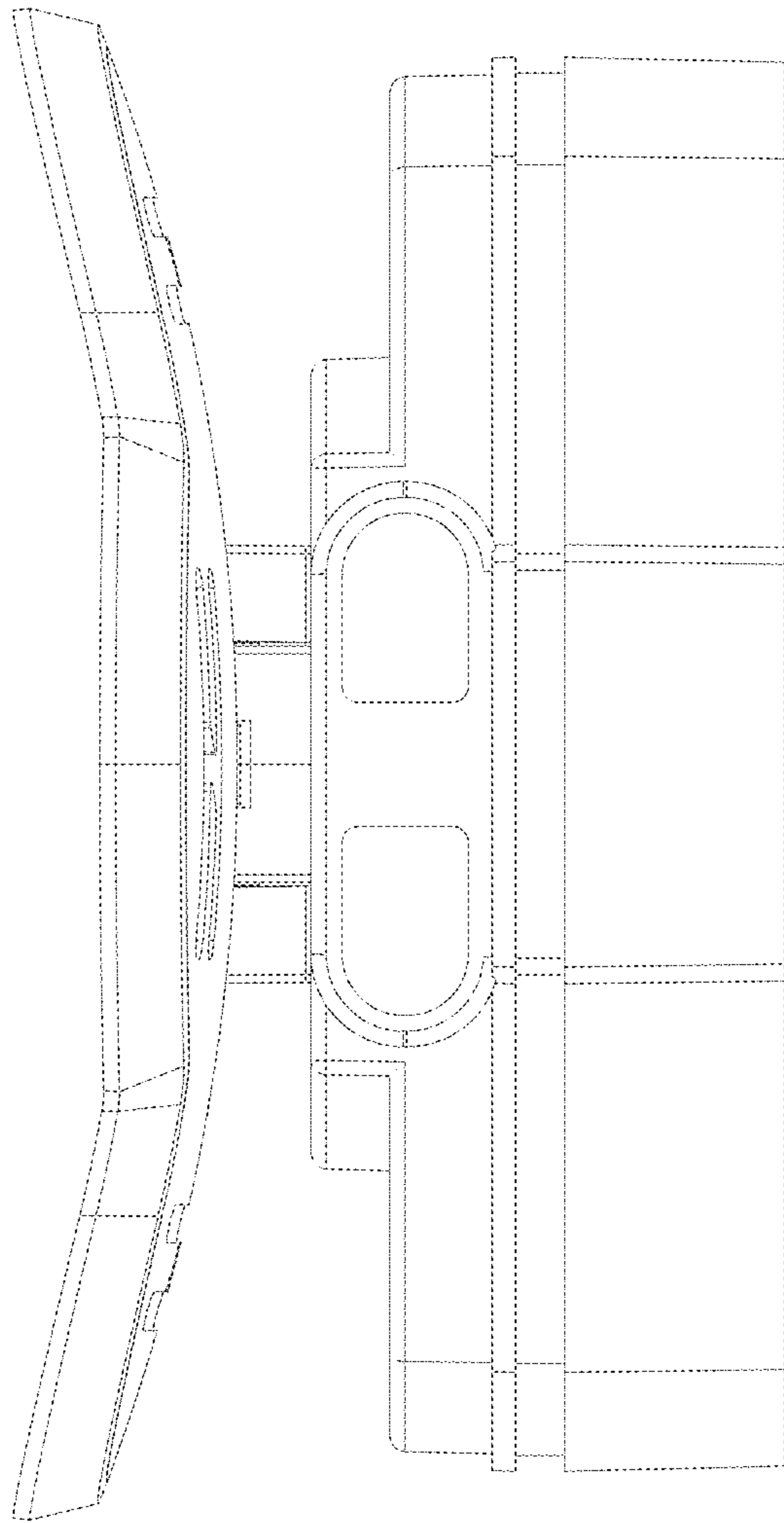


FIG. 2

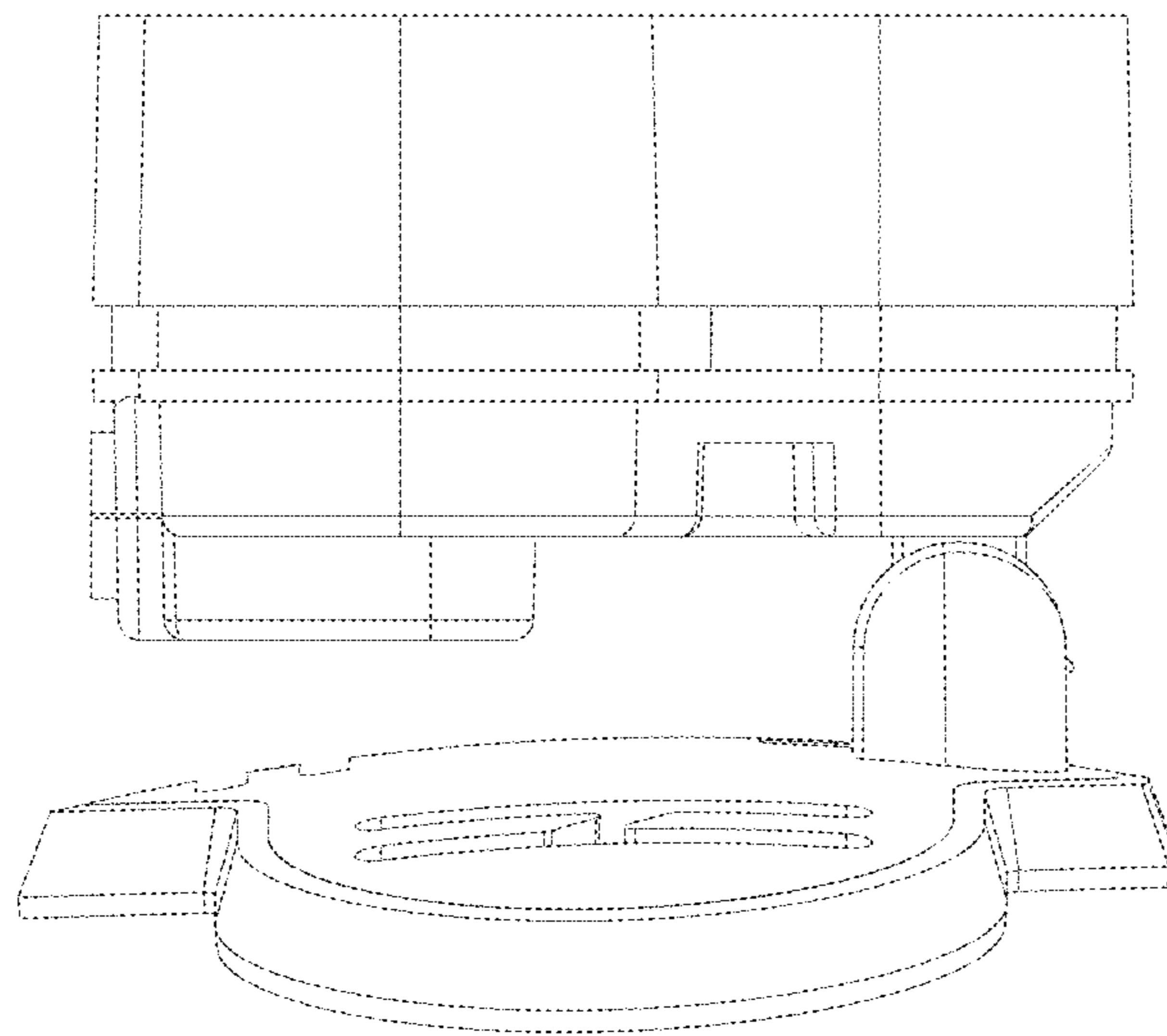


FIG. 3

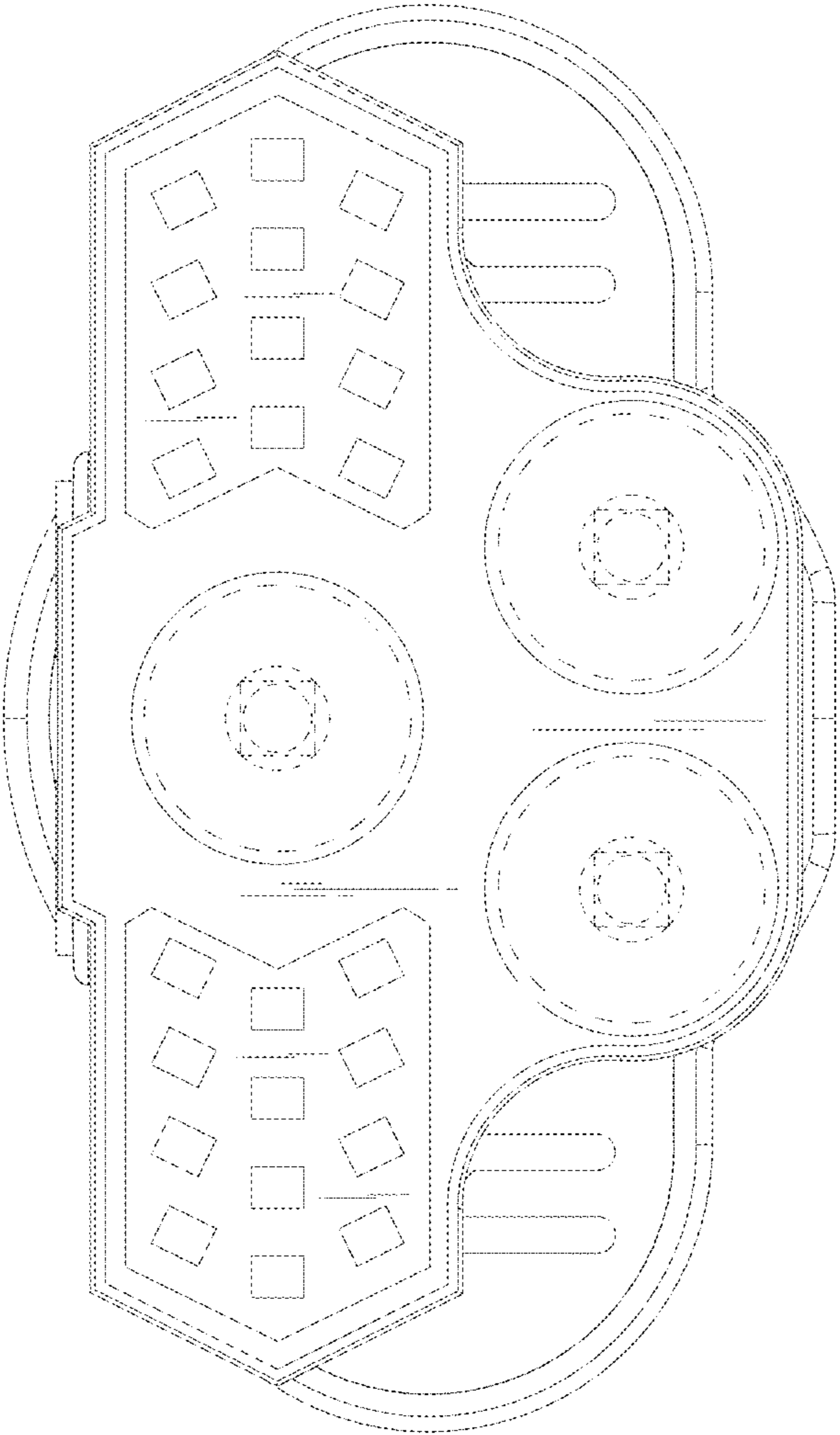


FIG.4

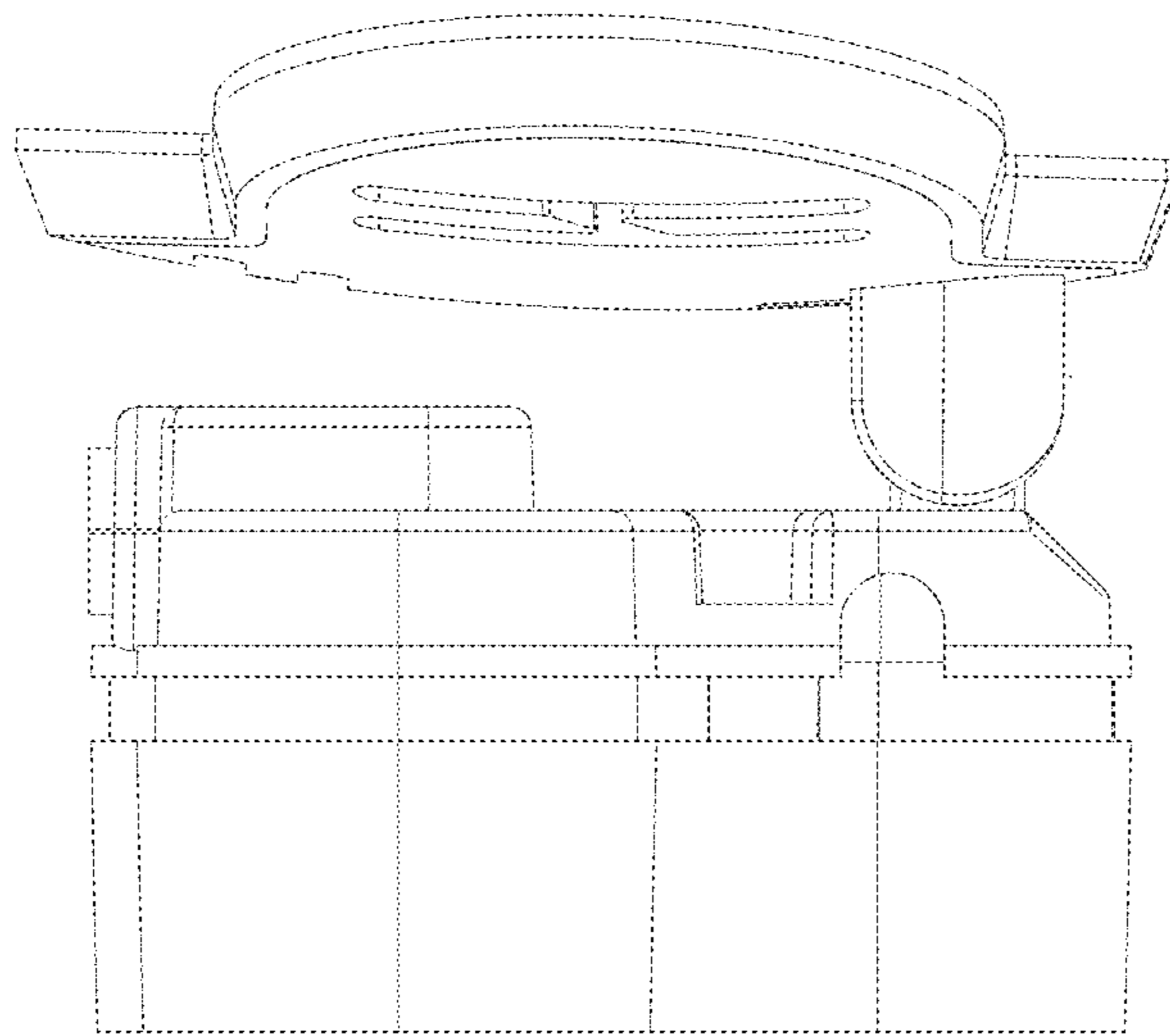


FIG. 5

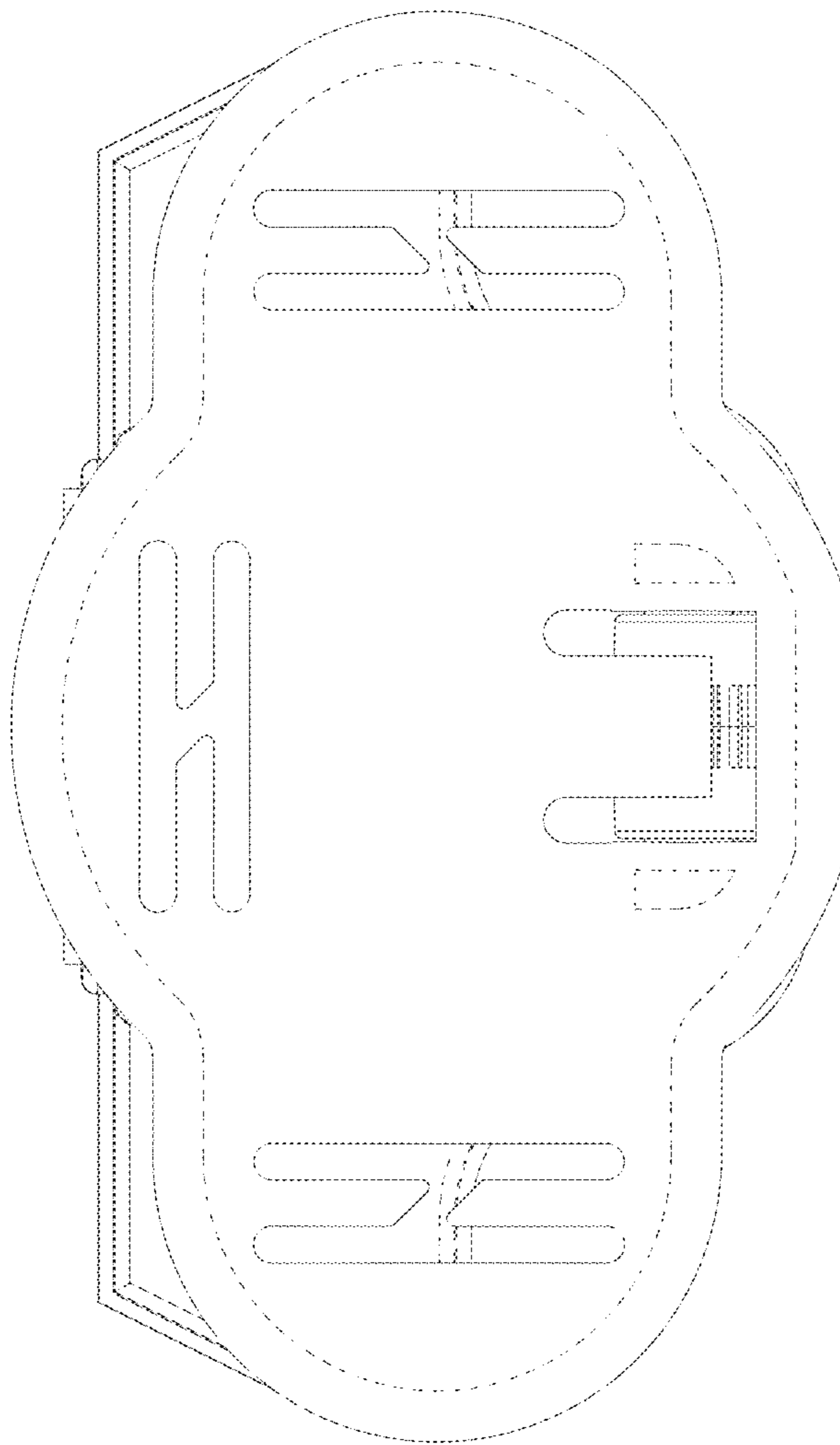


FIG. 6

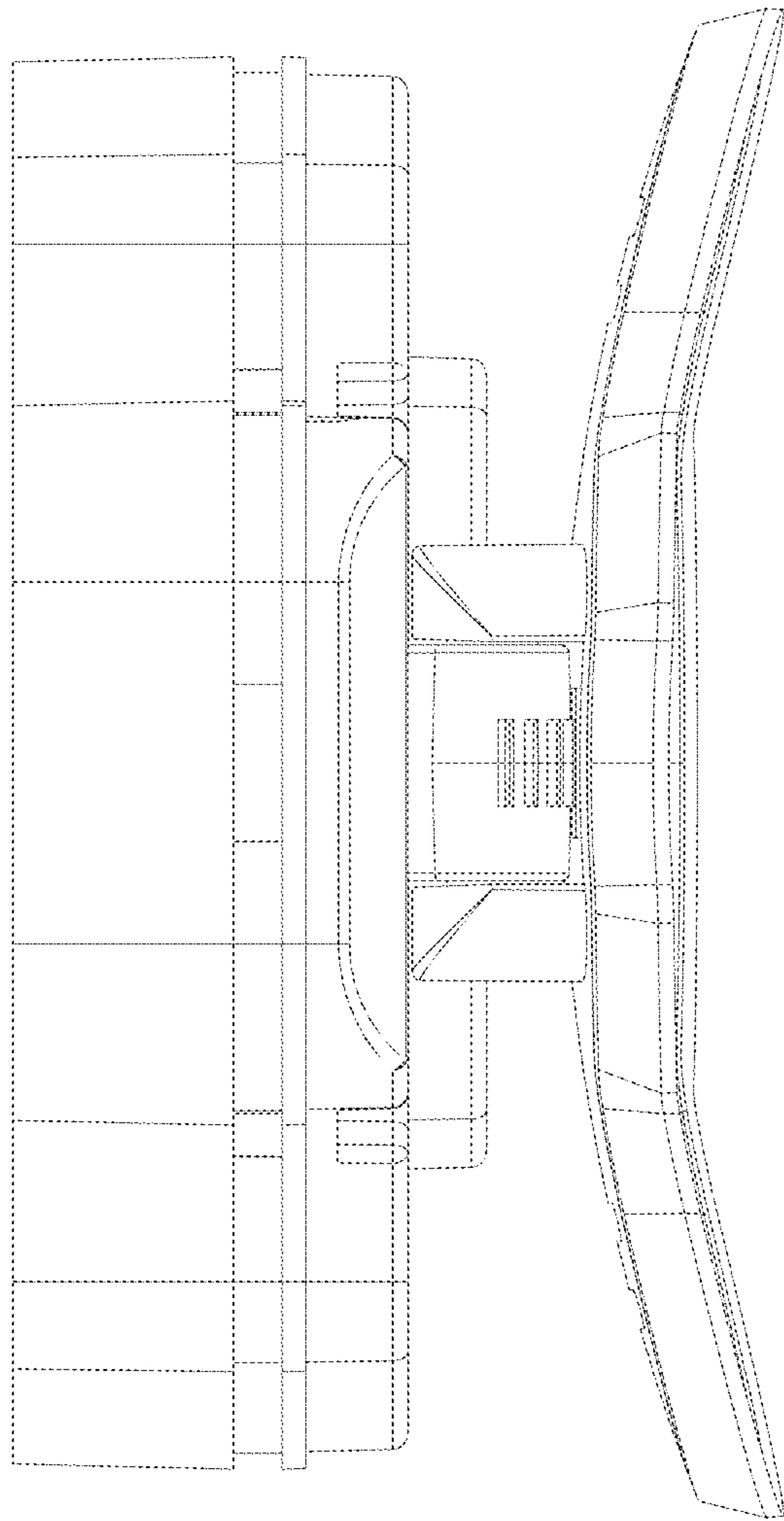


FIG. 7