



US00D923215S

(12) **United States Design Patent**
Wang

(10) **Patent No.:** **US D923,215 S**

(45) **Date of Patent:** **** Jun. 22, 2021**

(54) **LIGHT FOR VEHICLE**

(71) Applicant: **Shenzhen Xincheng Intelligent Technology Co., Ltd, Shenzhen (CN)**

(72) Inventor: **Zhi Wang, Guangdong (CN)**

(**) Term: **15 Years**

(21) Appl. No.: **29/758,409**

(22) Filed: **Nov. 16, 2020**

(51) **LOC (13) Cl.** **26-06**

(52) **U.S. Cl.**
USPC **D26/28**

(58) **Field of Classification Search**
USPC D26/28-36, 139
CPC F21S 48/00; F21S 48/10; F21S 48/115;
F21S 48/225; F21S 48/1233; F21S
48/1266; F21S 48/1388; F21S 48/2268;
F21V 5/00; F21V 21/04; F21V 29/004;
B60Q 9/13; B60Q 9/135; B60Q 9/1375
See application file for complete search history.

(56) **References Cited**

U.S. PATENT DOCUMENTS

D769,489 S * 10/2016 Ma D26/28
D769,490 S * 10/2016 Ma D26/28

D825,085 S * 8/2018 Jian D26/28
D870,935 S 12/2019 Wu
D889,000 S * 6/2020 Zheng D26/28
D890,963 S * 7/2020 Lan D26/28

* cited by examiner

Primary Examiner — Marcus A Jackson

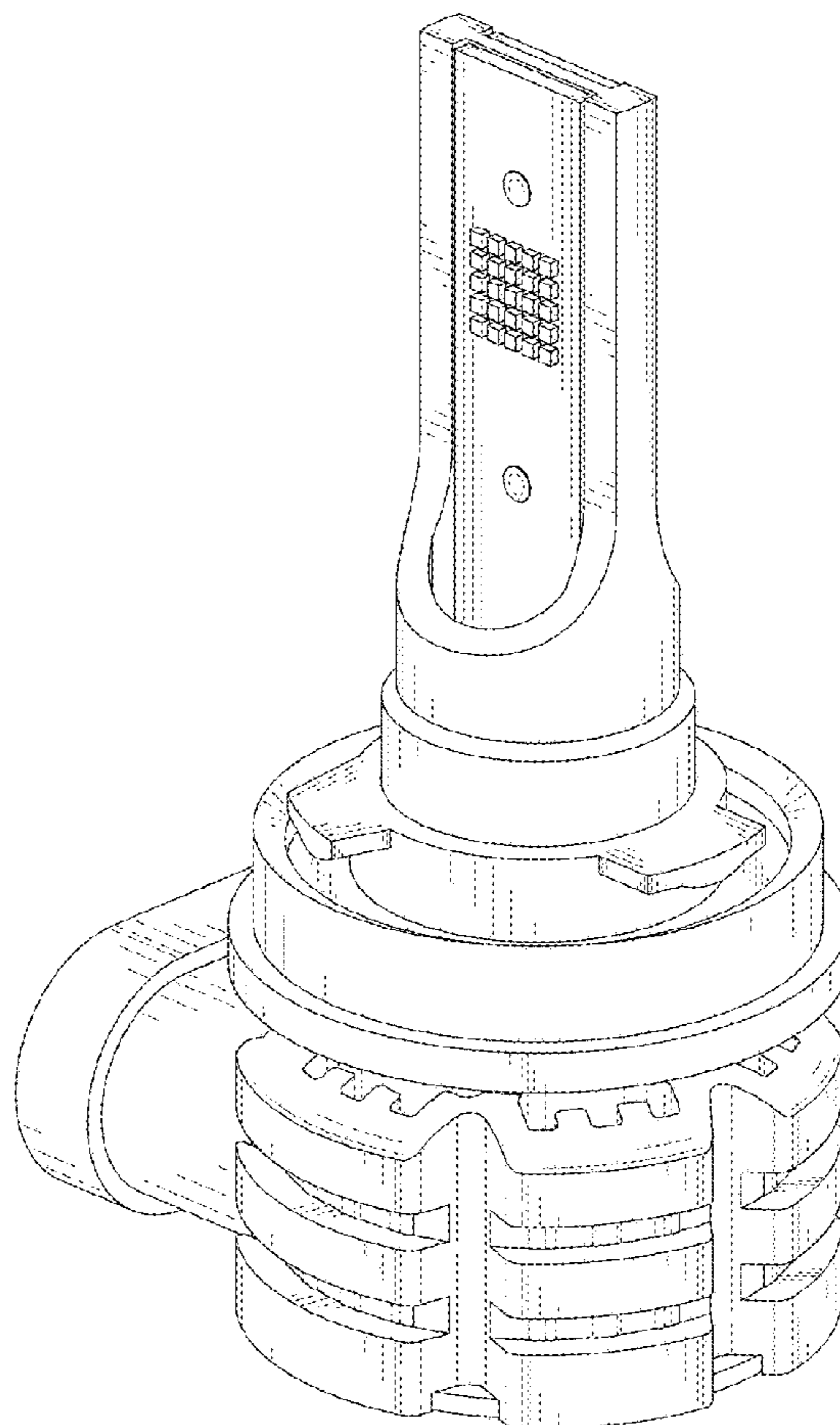
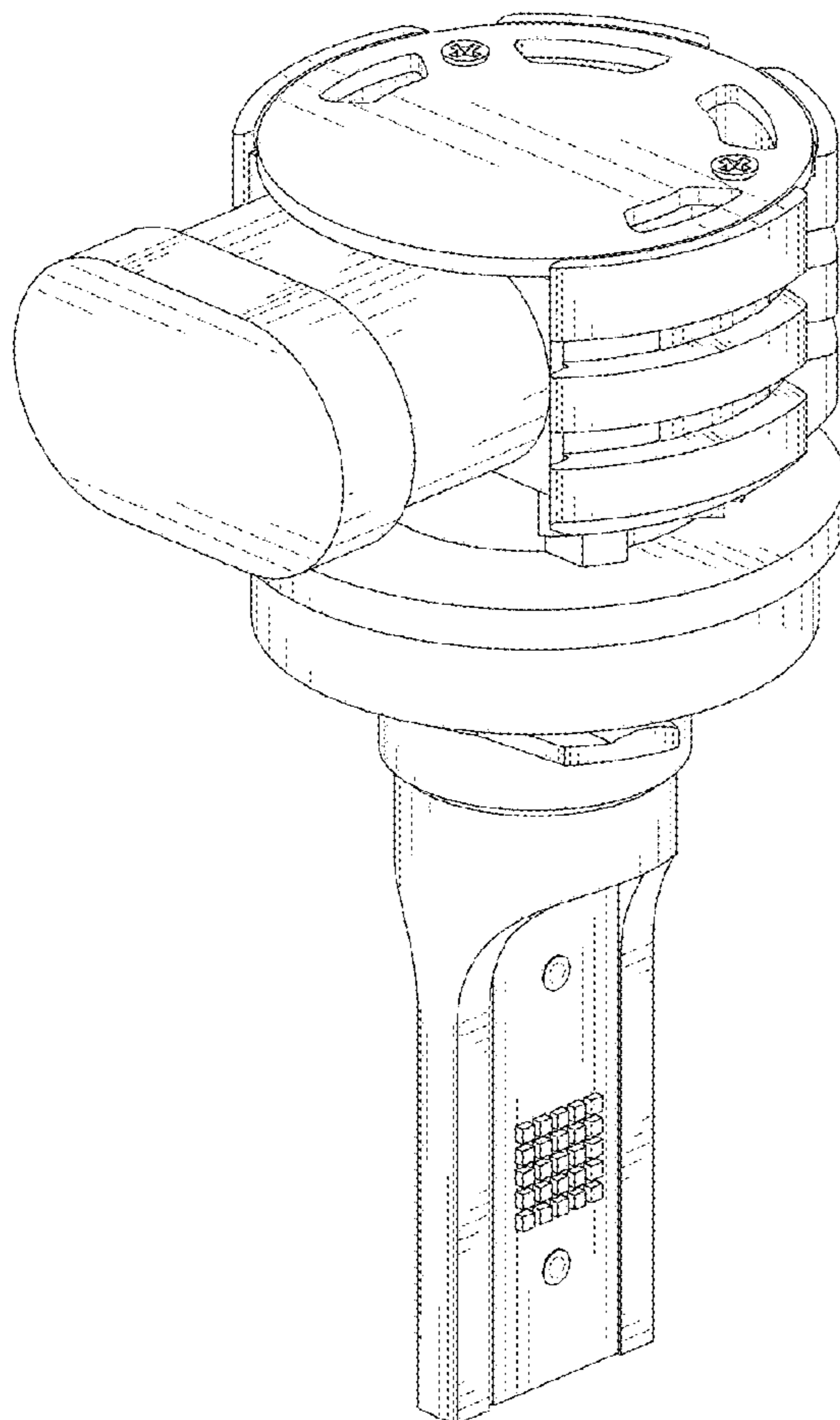
(57) **CLAIM**

The ornamental design for a light for vehicle, as shown and described.

DESCRIPTION

FIG. 1 is a front and top perspective view of a light for vehicle, showing my new design;
FIG. 2 is a rear and bottom perspective view thereof;
FIG. 3 is a front elevational view thereof;
FIG. 4 is a rear elevational view thereof;
FIG. 5 is a left side elevational view thereof;
FIG. 6 is a right side elevational view thereof;
FIG. 7 is a top plan view thereof; and,
FIG. 8 is a bottom plan view thereof.
The broken lines in the figures illustrate portions of the light for vehicle that form no part of the claimed design.

1 Claim, 8 Drawing Sheets



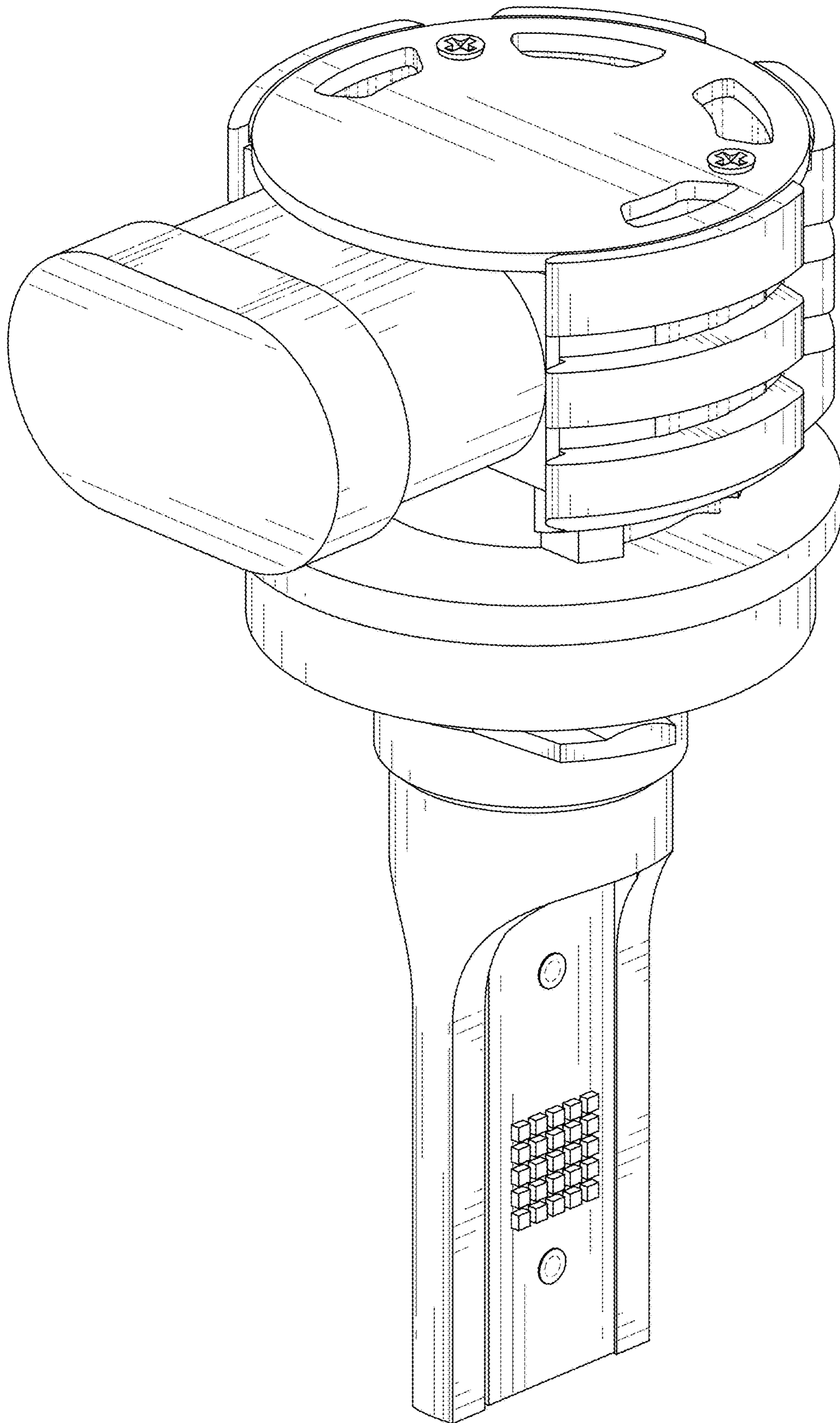


FIG. 1

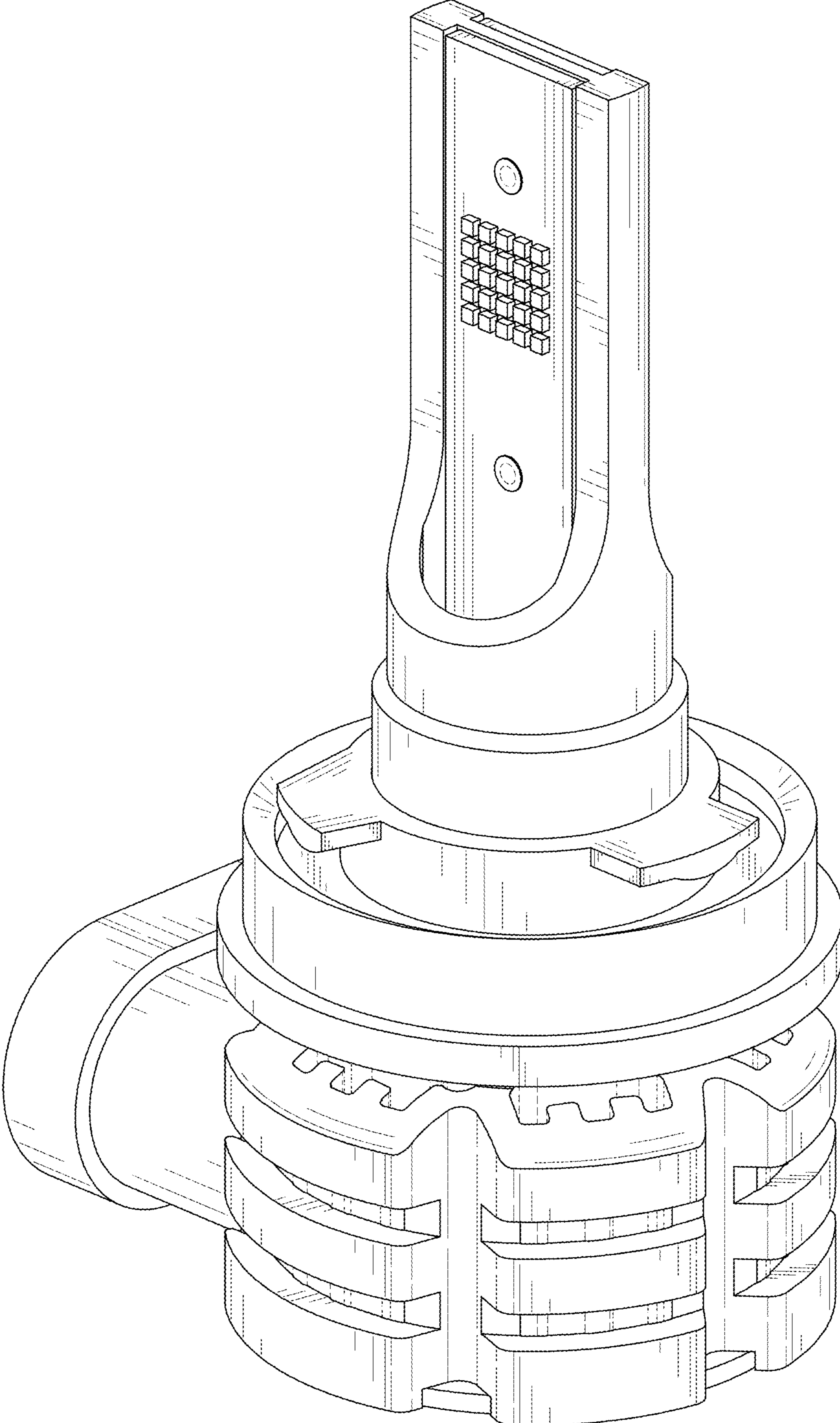


FIG. 2

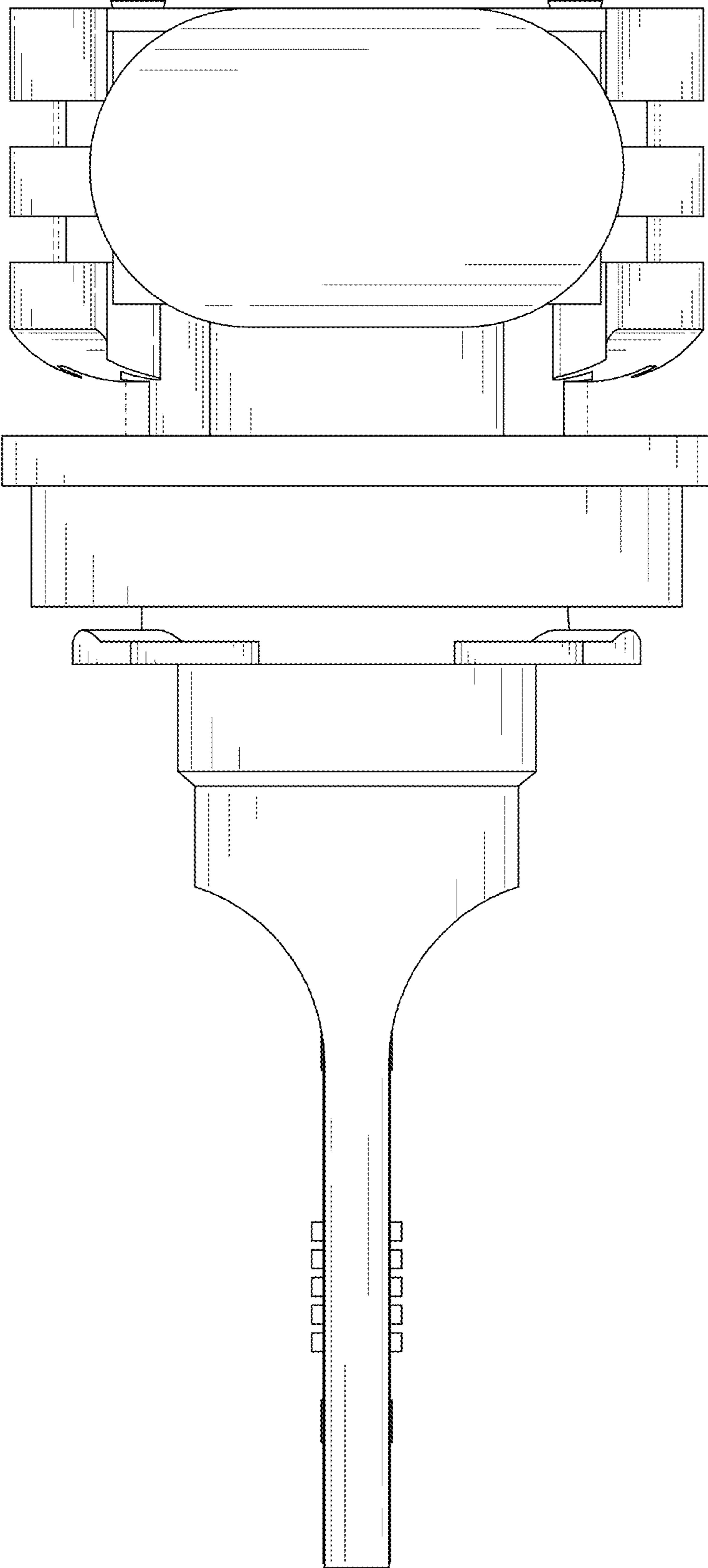


FIG. 3

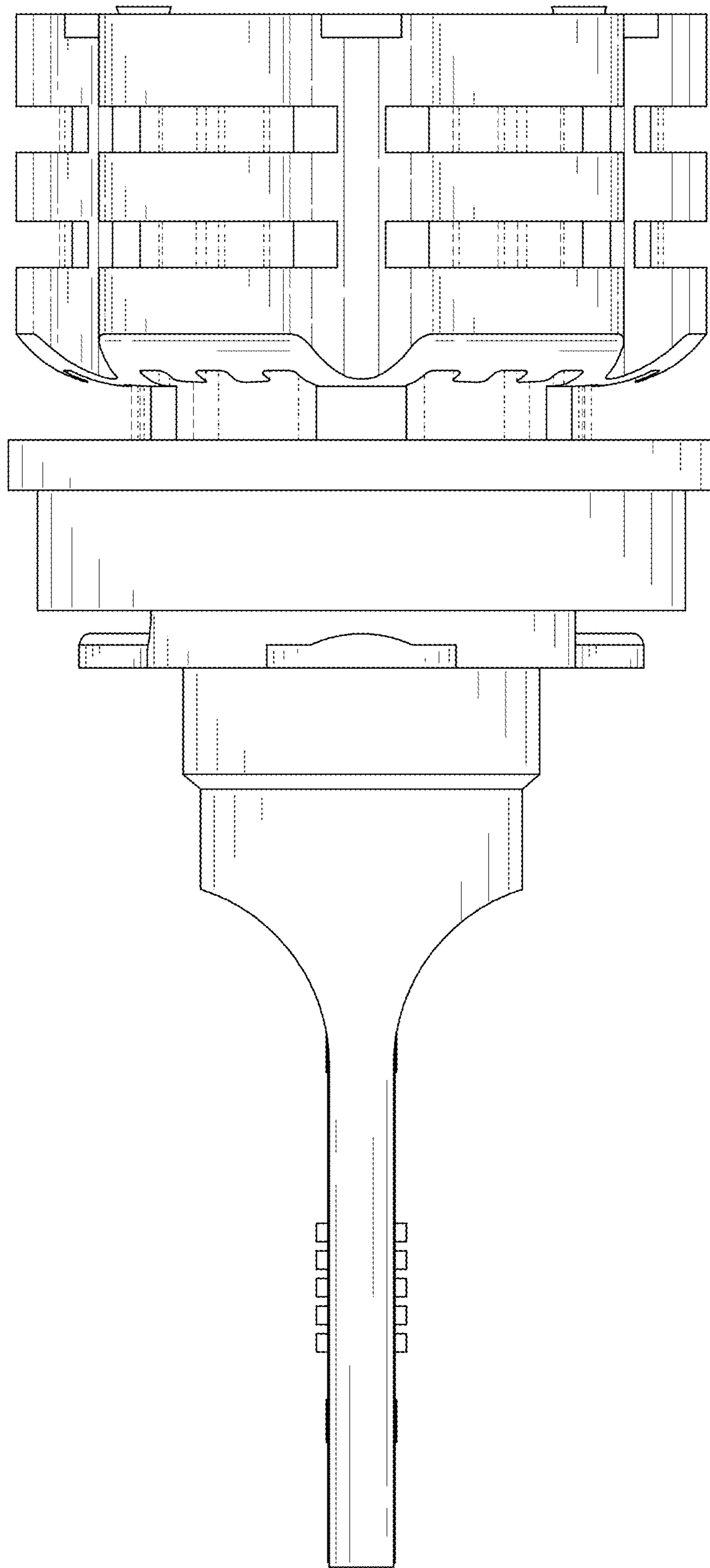


FIG. 4

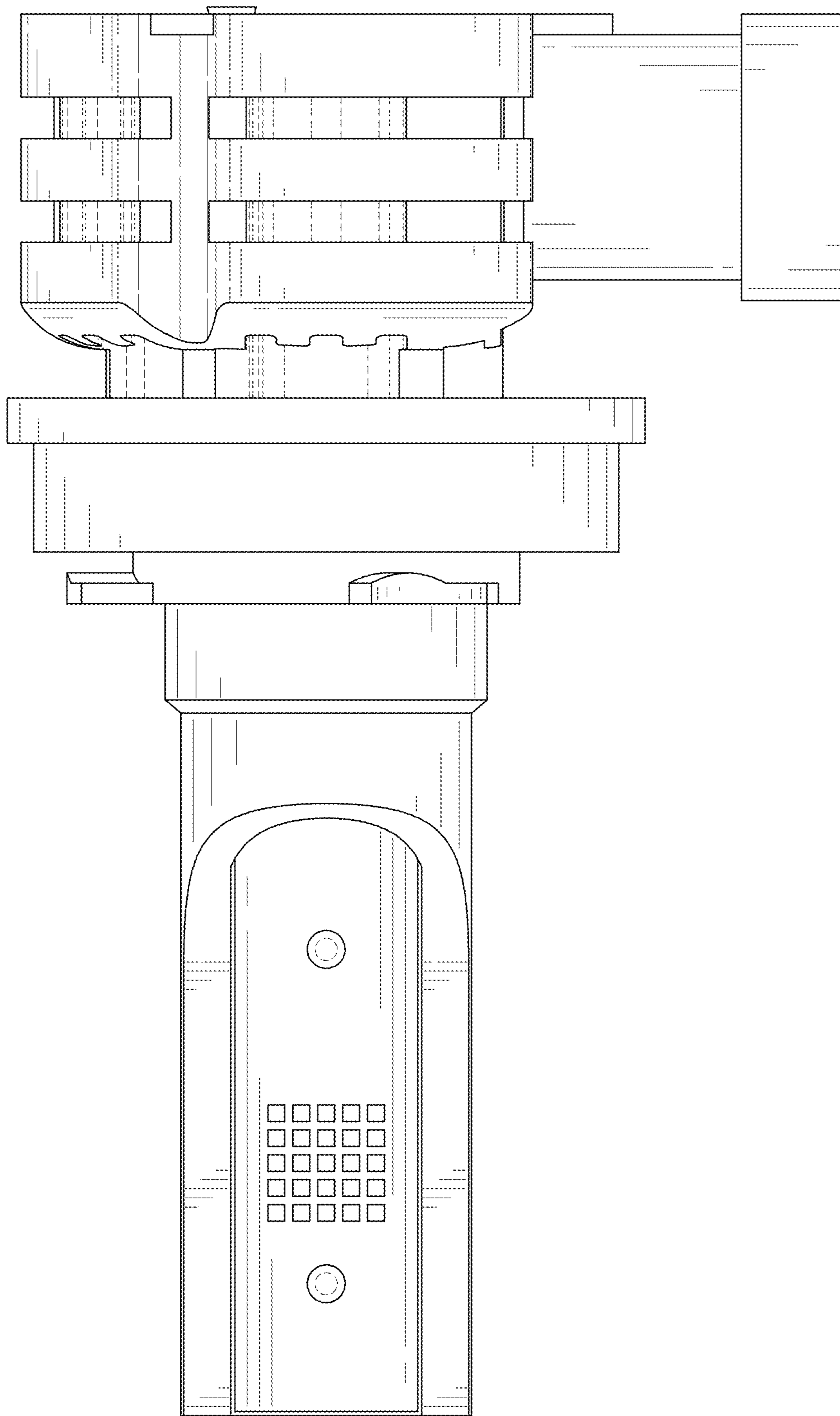


FIG. 5

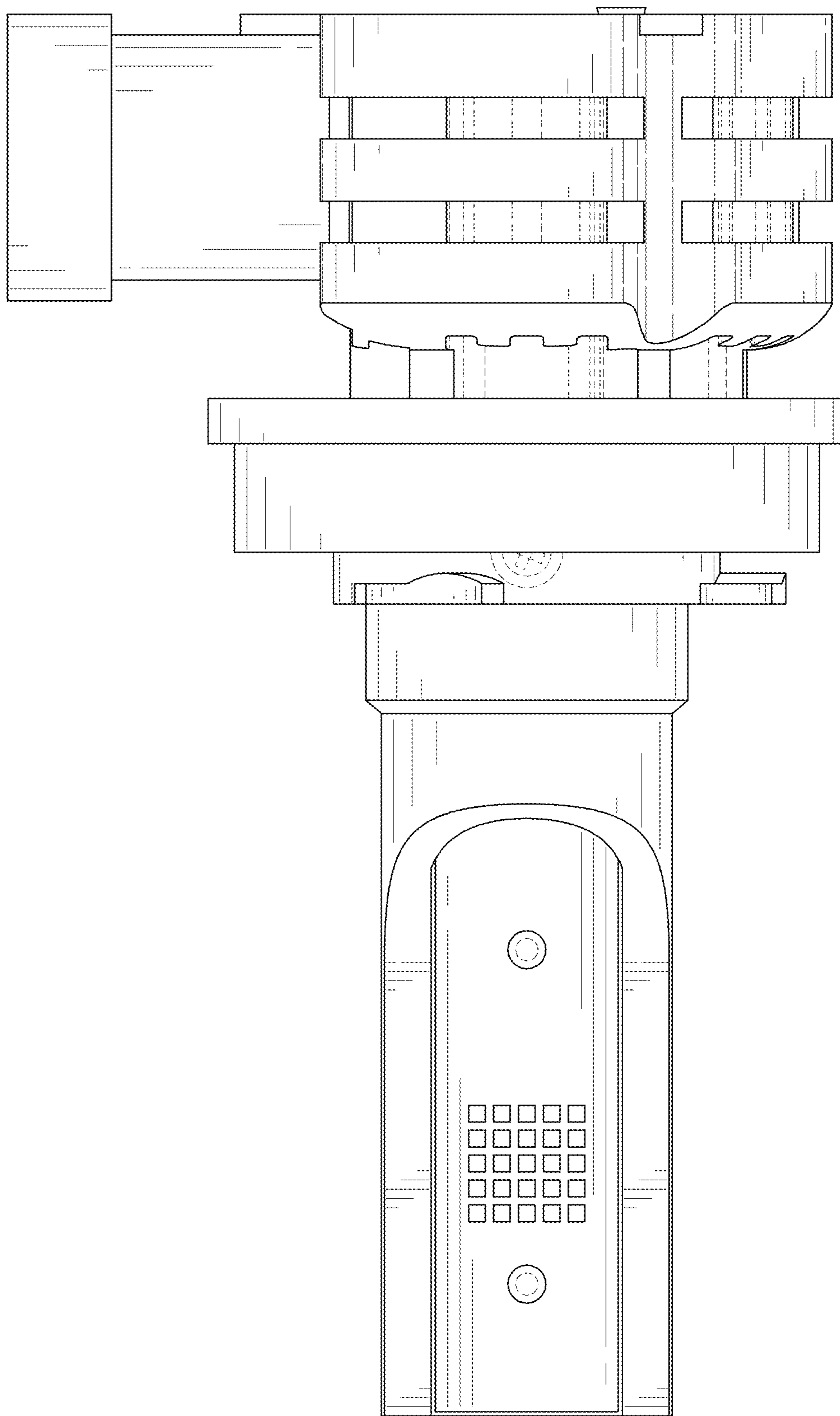


FIG. 6

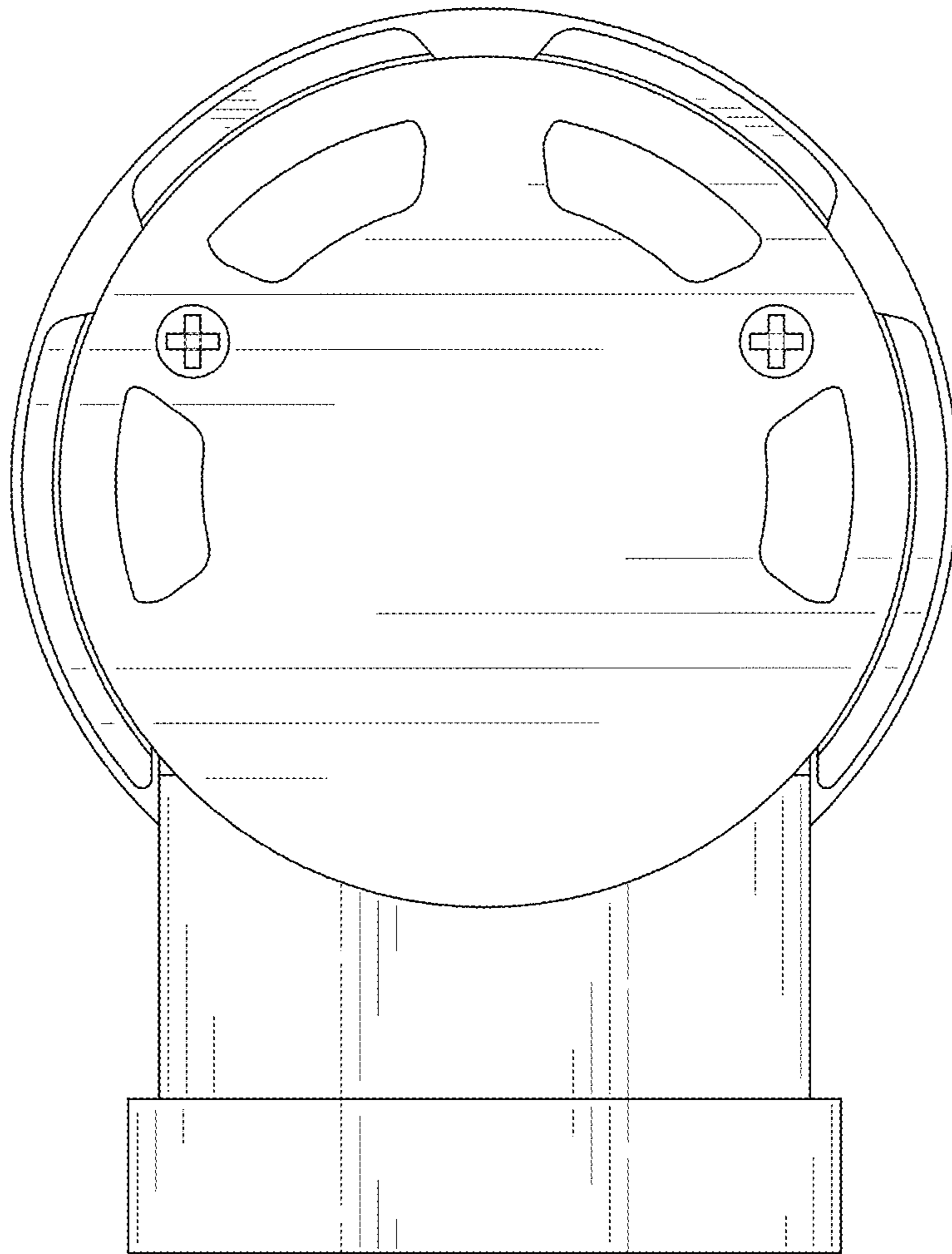


FIG. 7

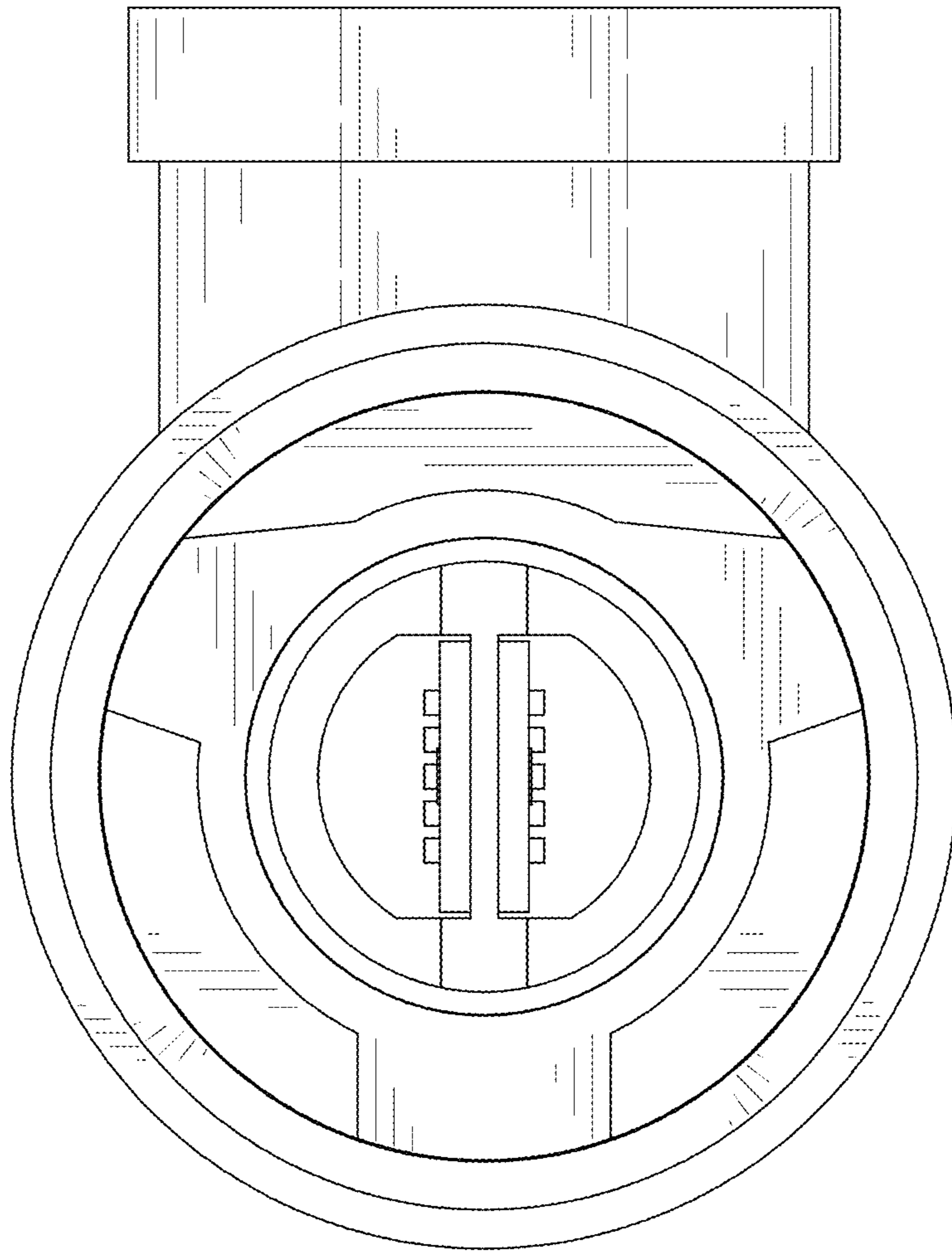


FIG. 8