



US00D923212S

(12) **United States Design Patent**  
**Anton**

(10) **Patent No.:** **US D923,212 S**  
(45) **Date of Patent:** **\*\* Jun. 22, 2021**

- (54) **TAILLIGHT FOR A VEHICLE**
- (71) Applicant: **Bayerische Motoren Werke Aktiengesellschaft, Munich (DE)**
- (72) Inventor: **Moritz Anton, Munich (DE)**
- (73) Assignee: **Bayerische Motoren Werke Aktiengesellschaft, Munich (DE)**

D560,832 S *	1/2008	Hsu .....	D26/28
D561,359 S *	2/2008	Hsu .....	D26/28
D570,007 S *	5/2008	Hsu .....	D26/28
D593,232 S *	5/2009	Koman .....	D26/28
D642,711 S	8/2011	Schneider	
D770,066 S	10/2016	Schneider	
D852,993 S	7/2019	Morgenstern	

(\*\*) Term: **15 Years**

(21) Appl. No.: **29/722,604**

(22) Filed: **Jan. 31, 2020**

(30) **Foreign Application Priority Data**

Aug. 5, 2019 (DE) ..... 402019100841.1

(51) **LOC (13) Cl.** ..... **26-06**

(52) **U.S. Cl.**  
USPC ..... **D26/28**

(58) **Field of Classification Search**  
USPC ..... D26/28-36, 139  
CPC ..... F21S 48/00; F21S 48/10; F21S 48/115;  
F21S 48/225; F21S 48/1233; F21S 48/1266; F21S 48/1388; F21S 48/2268;  
F21V 5/00; F21V 21/04; F21V 29/004;  
B60Q 9/13; B60Q 9/135; B60Q 9/1375  
See application file for complete search history.

(56) **References Cited**

**U.S. PATENT DOCUMENTS**

D550,380 S *	9/2007	Lin .....	D26/28
D560,291 S *	1/2008	Koyama .....	D26/28

**FOREIGN PATENT DOCUMENTS**

EM 002568931-0001 12/2014

\* cited by examiner

*Primary Examiner* — Marcus A Jackson

(74) *Attorney, Agent, or Firm* — Crowell & Moring LLP

(57) **CLAIM**

The ornamental design for a taillight for a vehicle, as shown and described.

**DESCRIPTION**

This application contains subject matter related to the following co-pending U.S. design patent application: Application Ser. No. 29/722,603, filed herewith and entitled "Taillight for a Vehicle".

FIG. 1 is a front view of a taillight for a vehicle according to the design;

FIG. 2 is a left, bottom perspective view thereof;

FIG. 3 is a right, front perspective view thereof;

FIG. 4 is a left side view thereof;

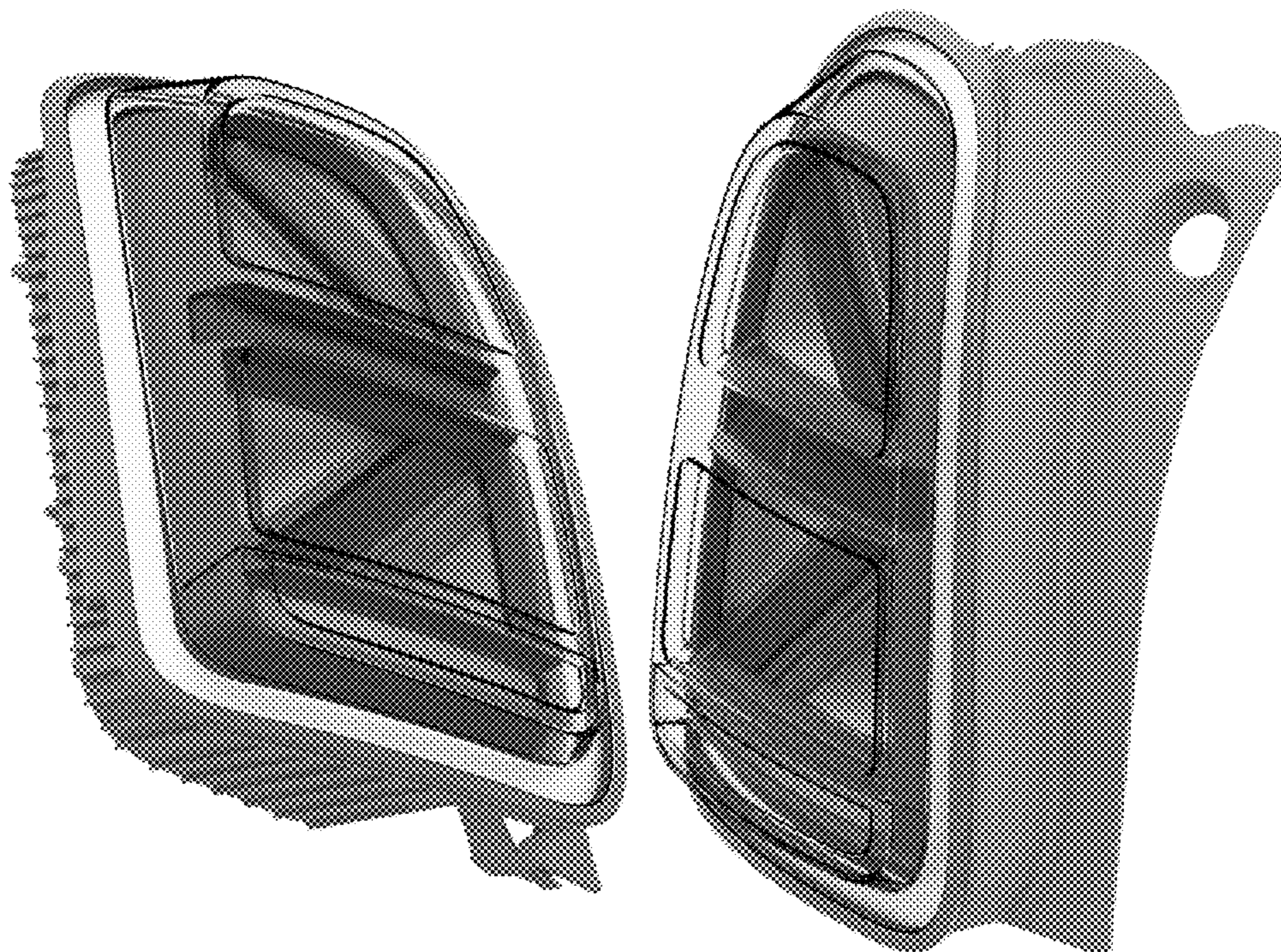
FIG. 5 is a right side view thereof;

FIG. 6 is a top view thereof;

FIG. 7 is a bottom view thereof; and,

FIG. 8 is a rear view thereof.

**1 Claim, 8 Drawing Sheets**





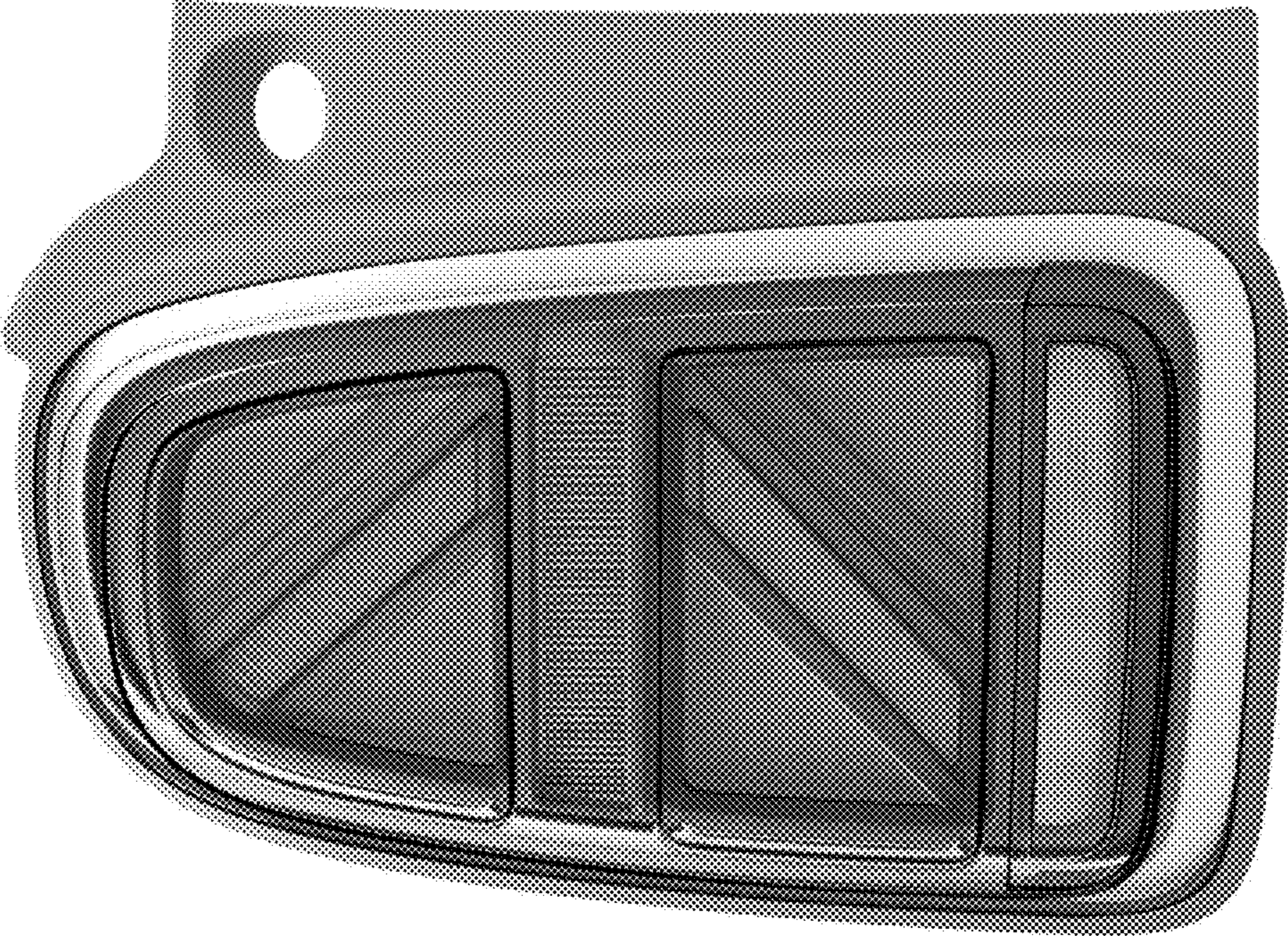


Fig. 1



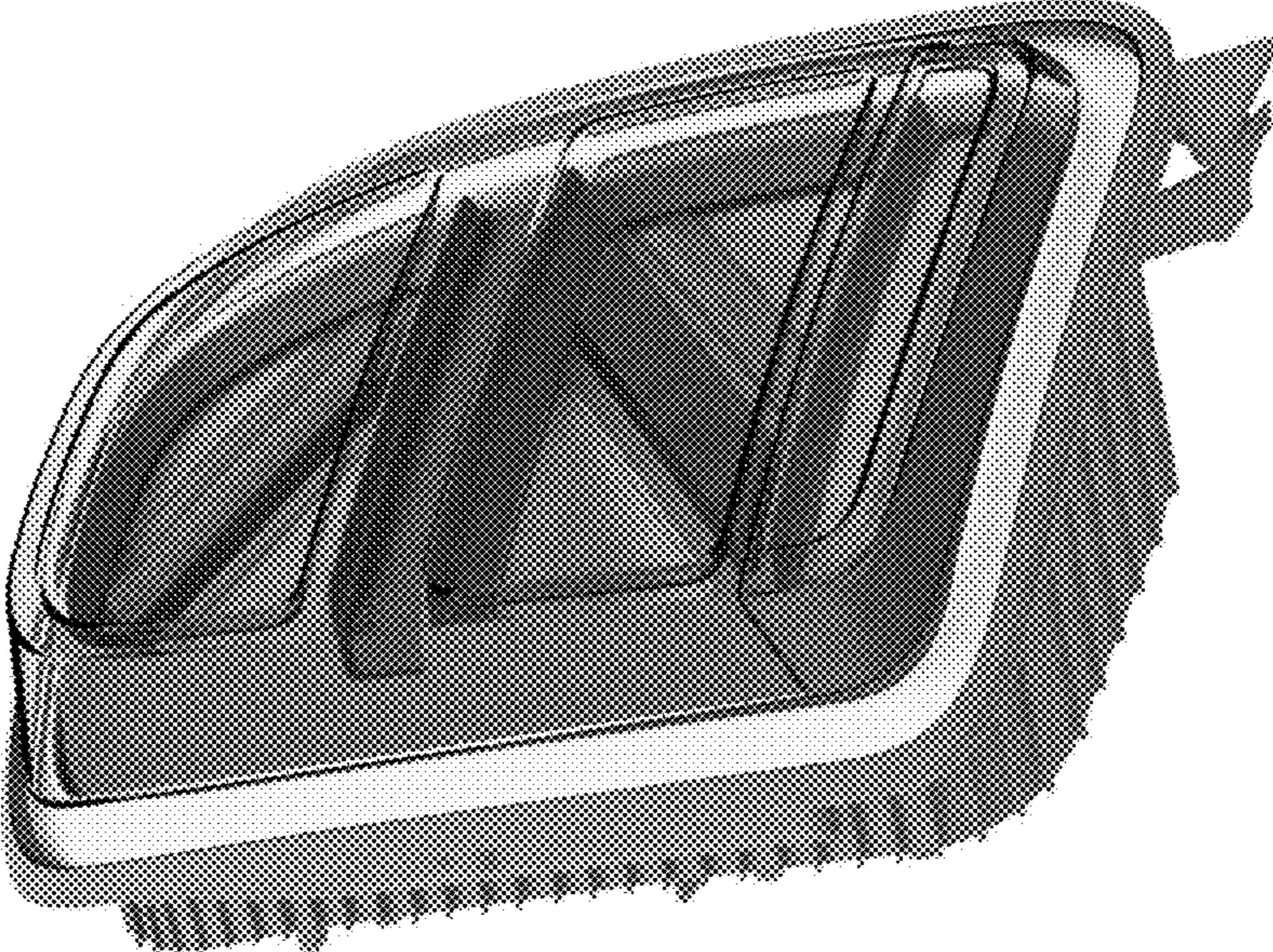


Fig. 2

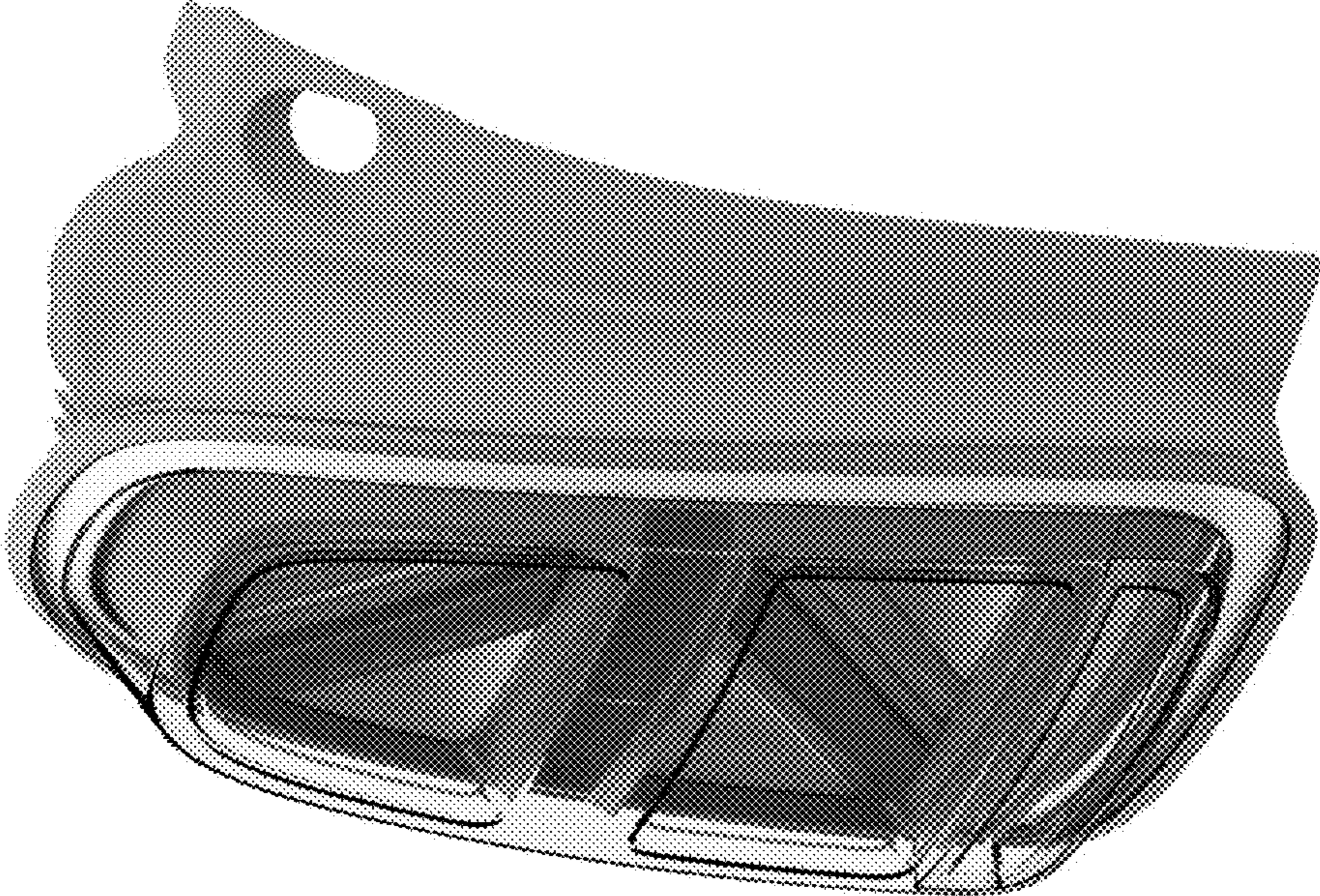


Fig. 3



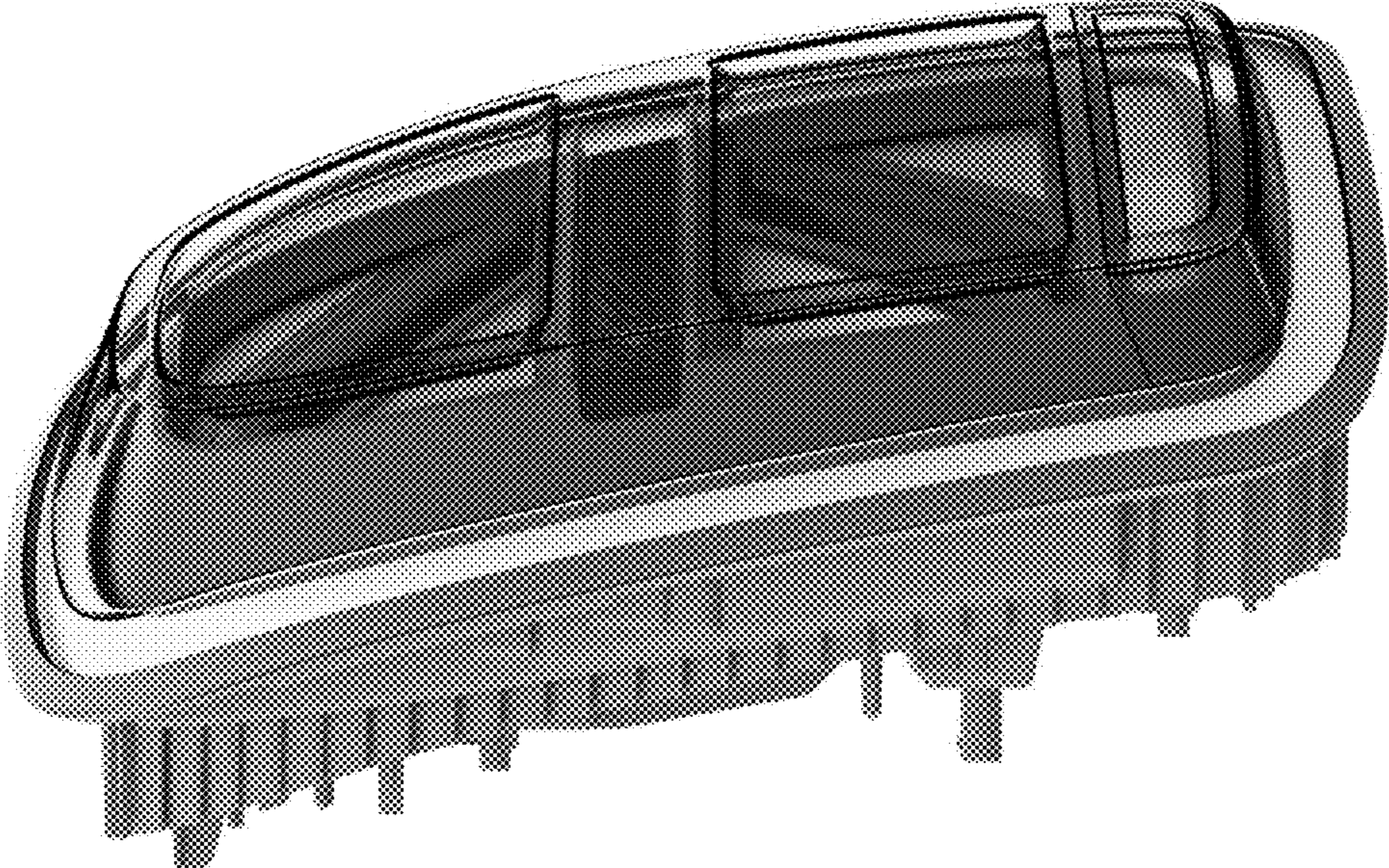


Fig. 4

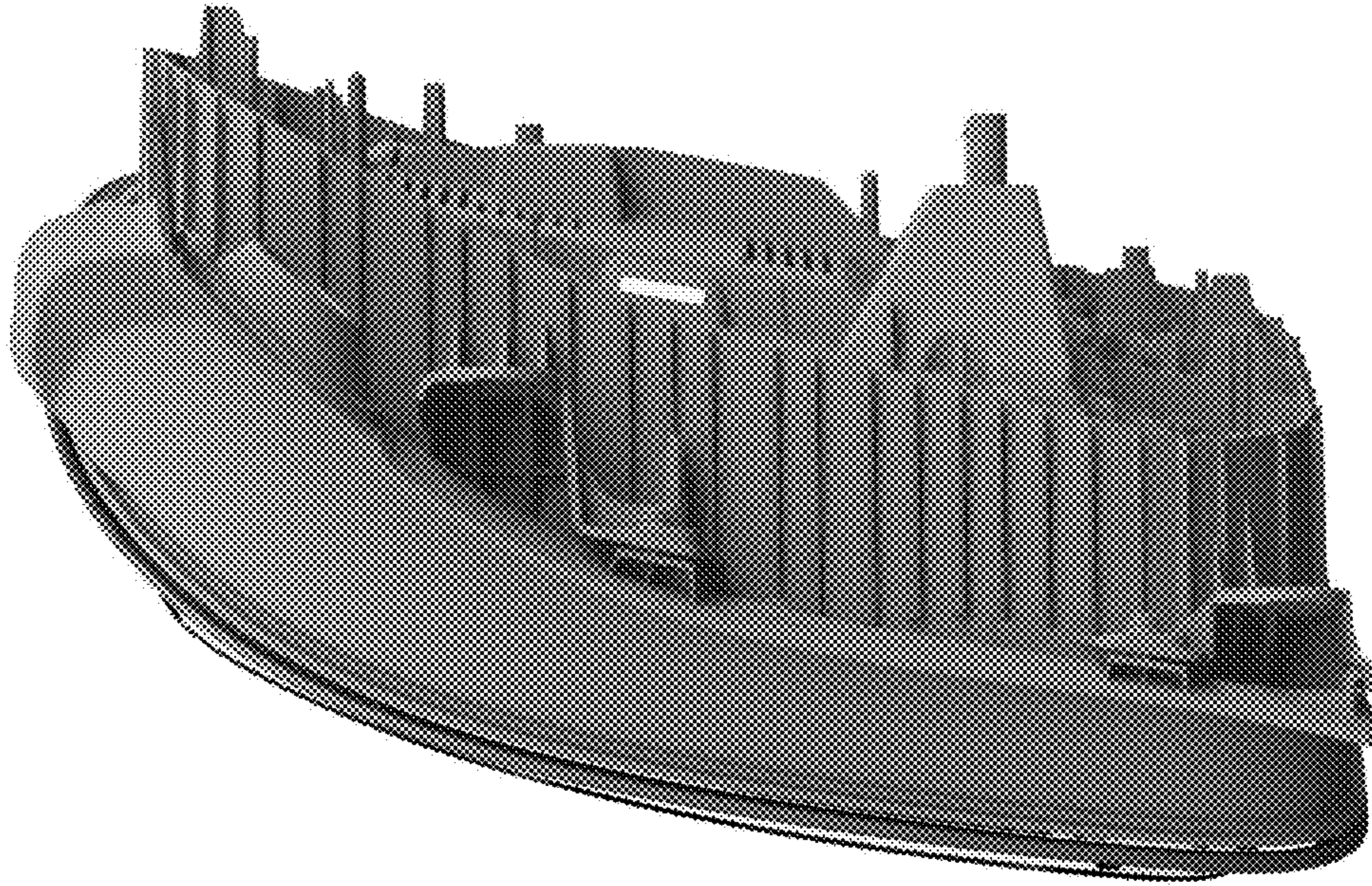


Fig. 5



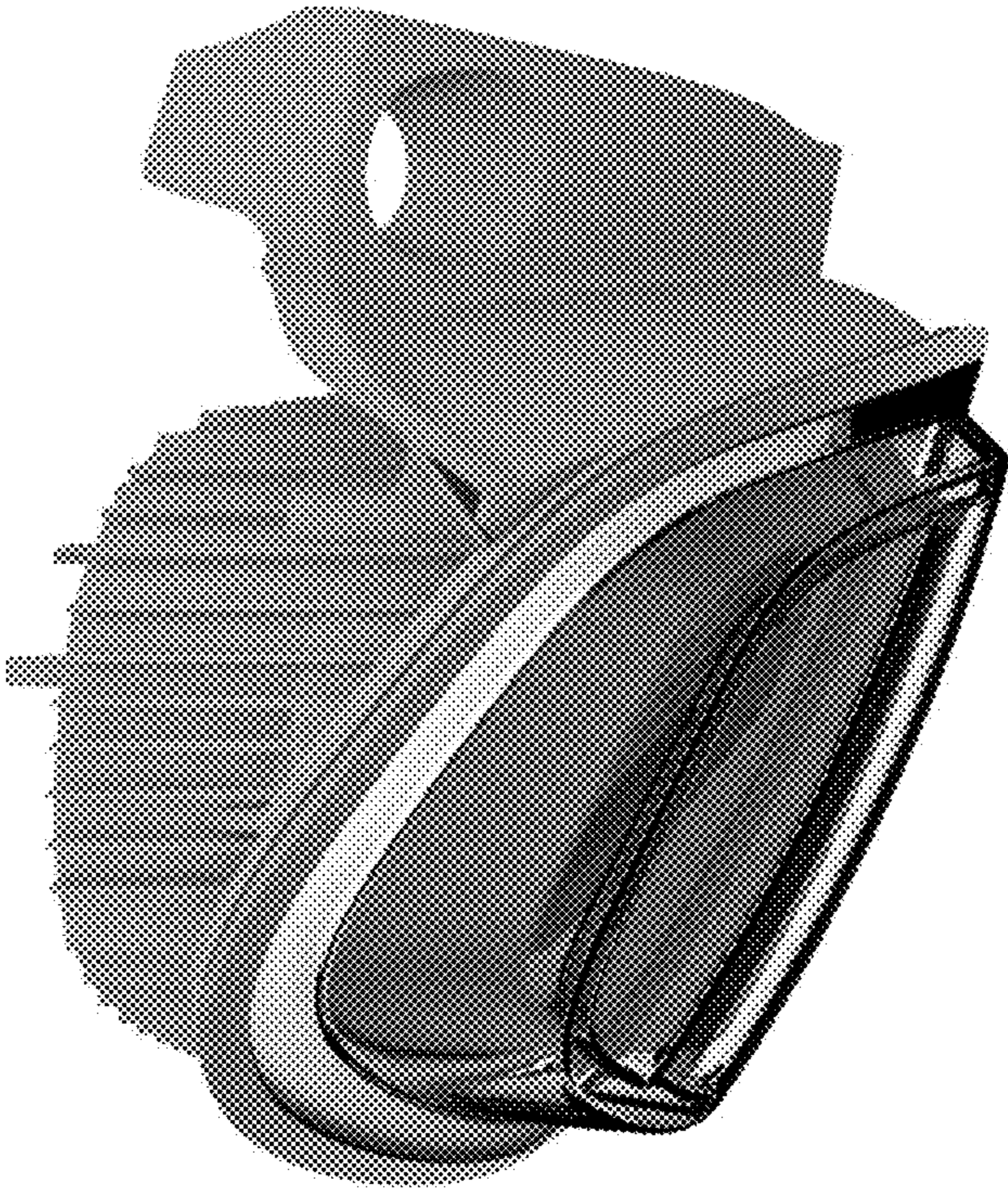


Fig. 6

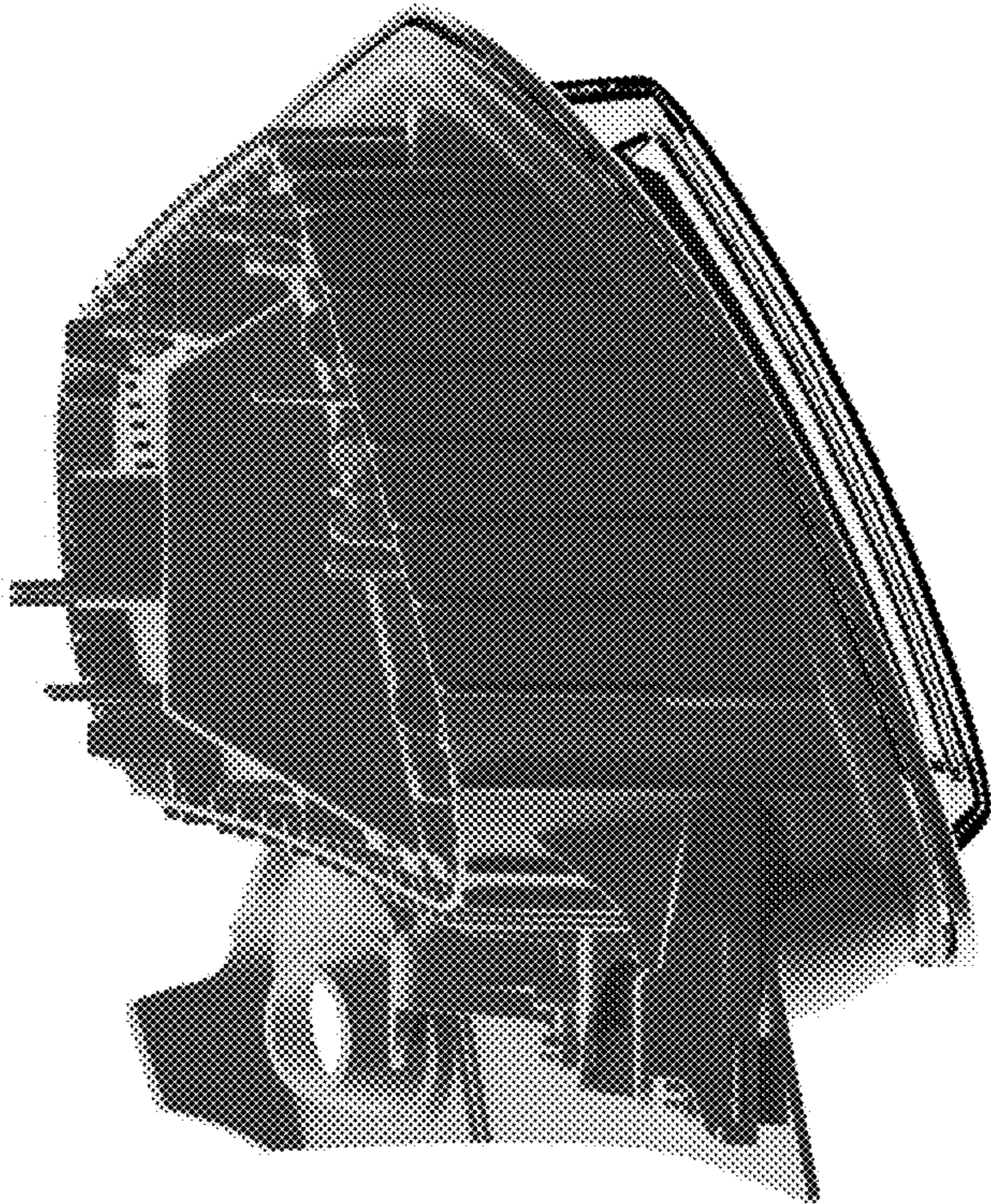


Fig. 7



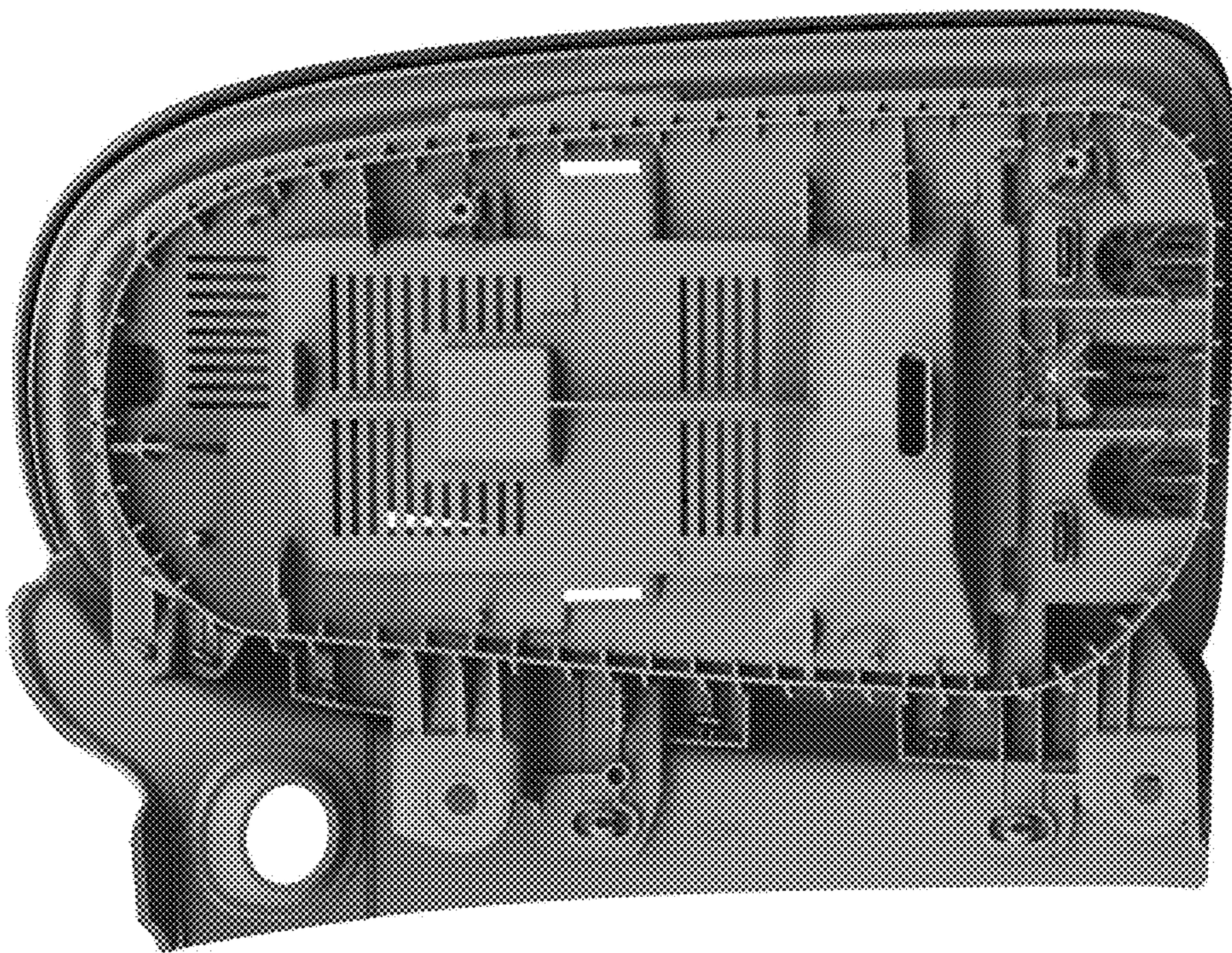


Fig. 8