



US00D923211S

(12) **United States Design Patent**
Zhang et al.

(10) **Patent No.:** **US D923,211 S**

(45) **Date of Patent:** **** Jun. 22, 2021**

(54) **NIGHT LIGHT**

(71) Applicant: **Zhongshan Winstar Electrical Co., Ltd.**, Guangdong (CN)

(72) Inventors: **Baohua Zhang**, Guangdong (CN);
Guozhao Tan, Guangdong (CN)

(73) Assignee: **Zhongshan Winstar Electrical Co., Ltd.**, Zhongshan (CN)

(**) Term: **15 Years**

(21) Appl. No.: **29/685,039**

(22) Filed: **Mar. 26, 2019**

(30) **Foreign Application Priority Data**

Dec. 29, 2018 (CN) 201830772808.0

(51) **LOC (13) Cl.** **26-05**

(52) **U.S. Cl.**
USPC **D26/26**

(58) **Field of Classification Search**
USPC D26/26, 24, 113, 118, 119, 120;
D23/366, 367, 369; 362/640, 641, 642,
362/643, 644, 650, 651, 652, 653, 659
See application file for complete search history.

(56) **References Cited**

U.S. PATENT DOCUMENTS

D523,972 S * 6/2006 Chan D26/26
D644,362 S * 8/2011 Kingston D26/26

D674,931 S * 1/2013 Tyler D26/26
D715,468 S * 10/2014 Dai D26/26
D767,426 S * 9/2016 Zhu D10/106.1
D772,442 S * 11/2016 Lange D26/26
D808,046 S * 1/2018 Jianting D26/26
D813,429 S * 3/2018 Li D26/26
D819,570 S * 6/2018 Zhong D13/137.1
D860,948 S * 9/2019 Wang D13/137.2
D864,871 S * 10/2019 Xiao D13/137.3
D870,326 S * 12/2019 Chen D26/26
D909,307 S * 2/2021 Shaopeng D13/137.2

* cited by examiner

Primary Examiner — Angela J Lee

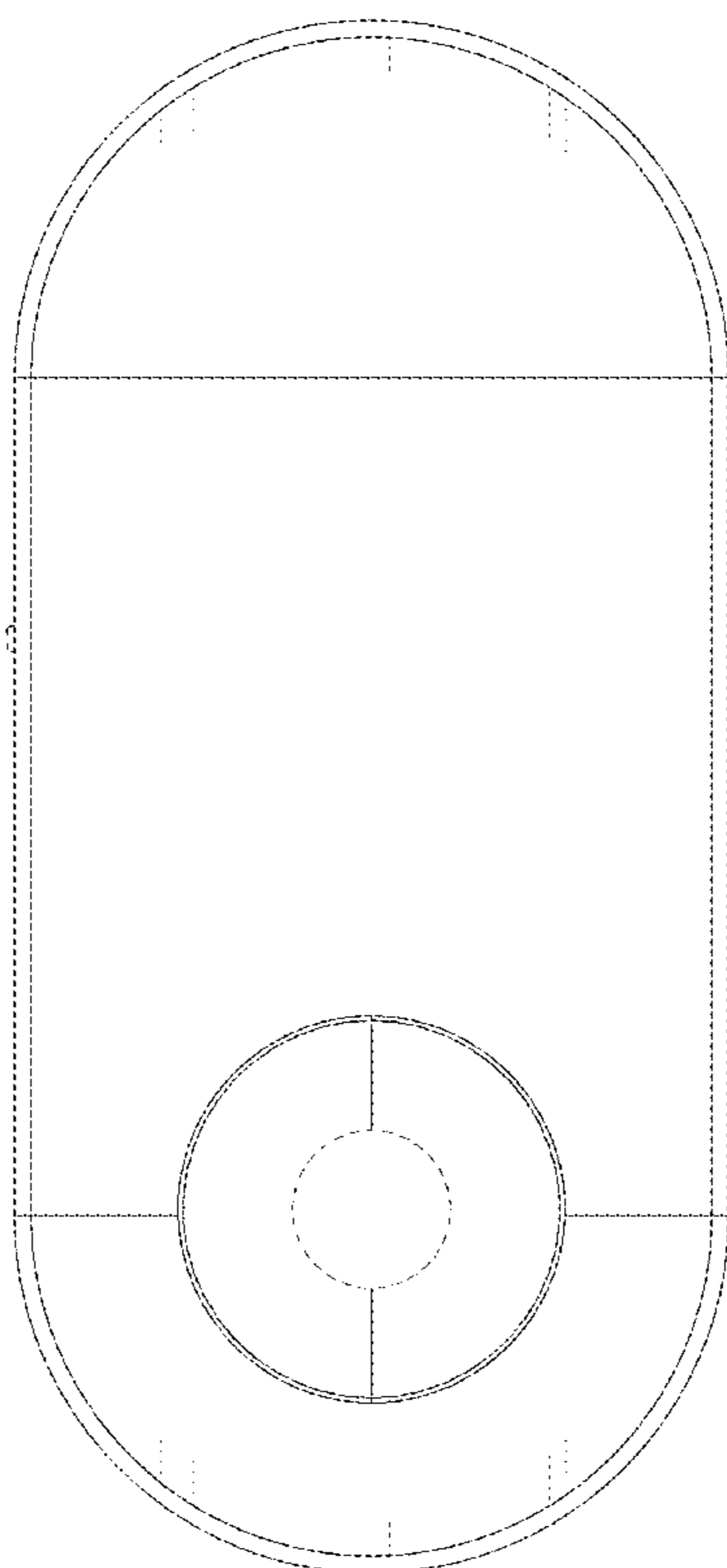
(57) **CLAIM**

The ornamental design for a night light, as shown and described.

DESCRIPTION

FIG. 1 is a front elevational view of a night light showing our new design;
FIG. 2 is a rear elevational view thereof;
FIG. 3 is a top plan view thereof;
FIG. 4 is a bottom plan view thereof;
FIG. 5 is a left side view thereof;
FIG. 6 is a right side view thereof;
FIG. 7 is a top, front and left side perspective view thereof; and,
FIG. 8 is a rear and right side perspective view thereof.
The broken lines in the drawings illustrate portions of the night light which form no part of the claimed design.

1 Claim, 8 Drawing Sheets



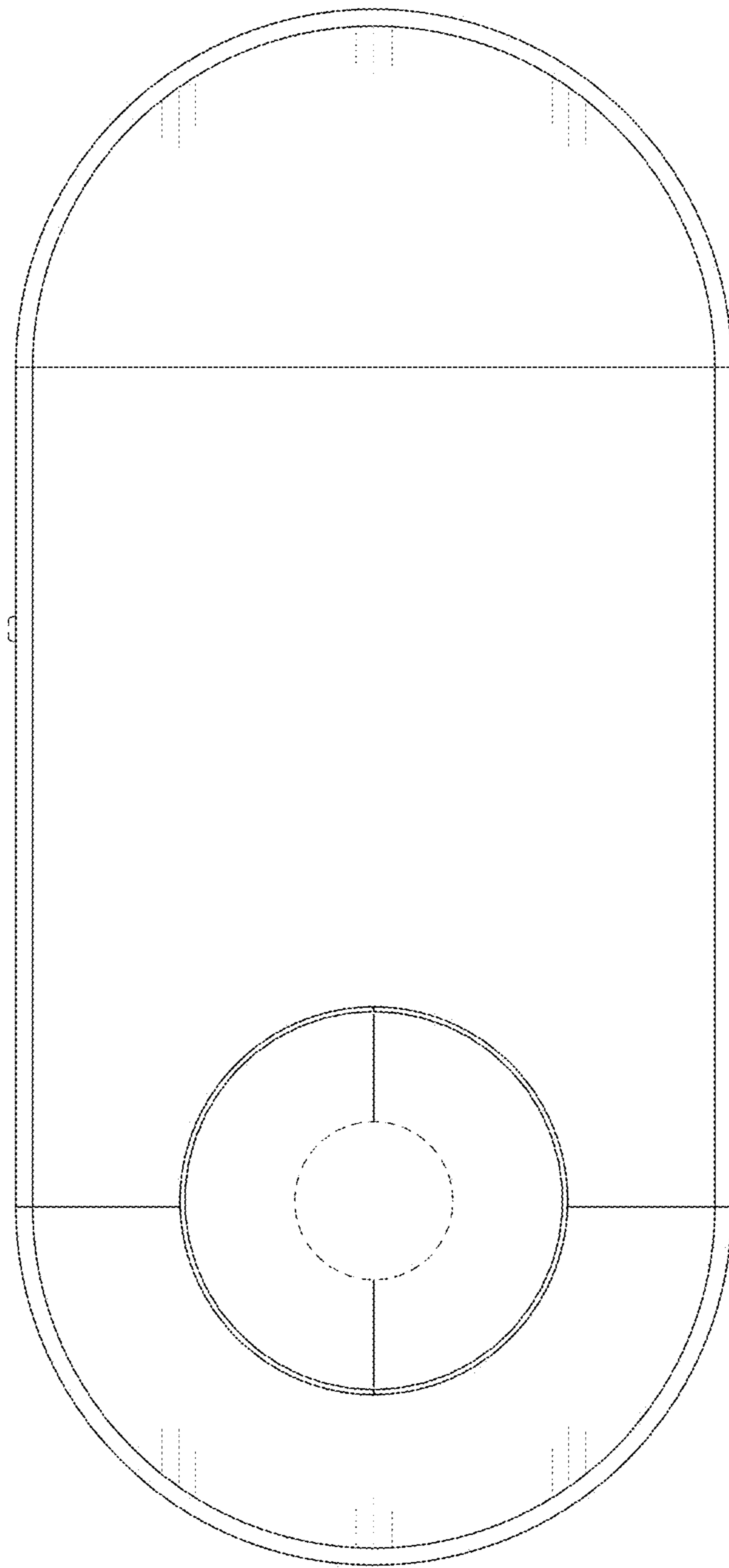


Fig. 1

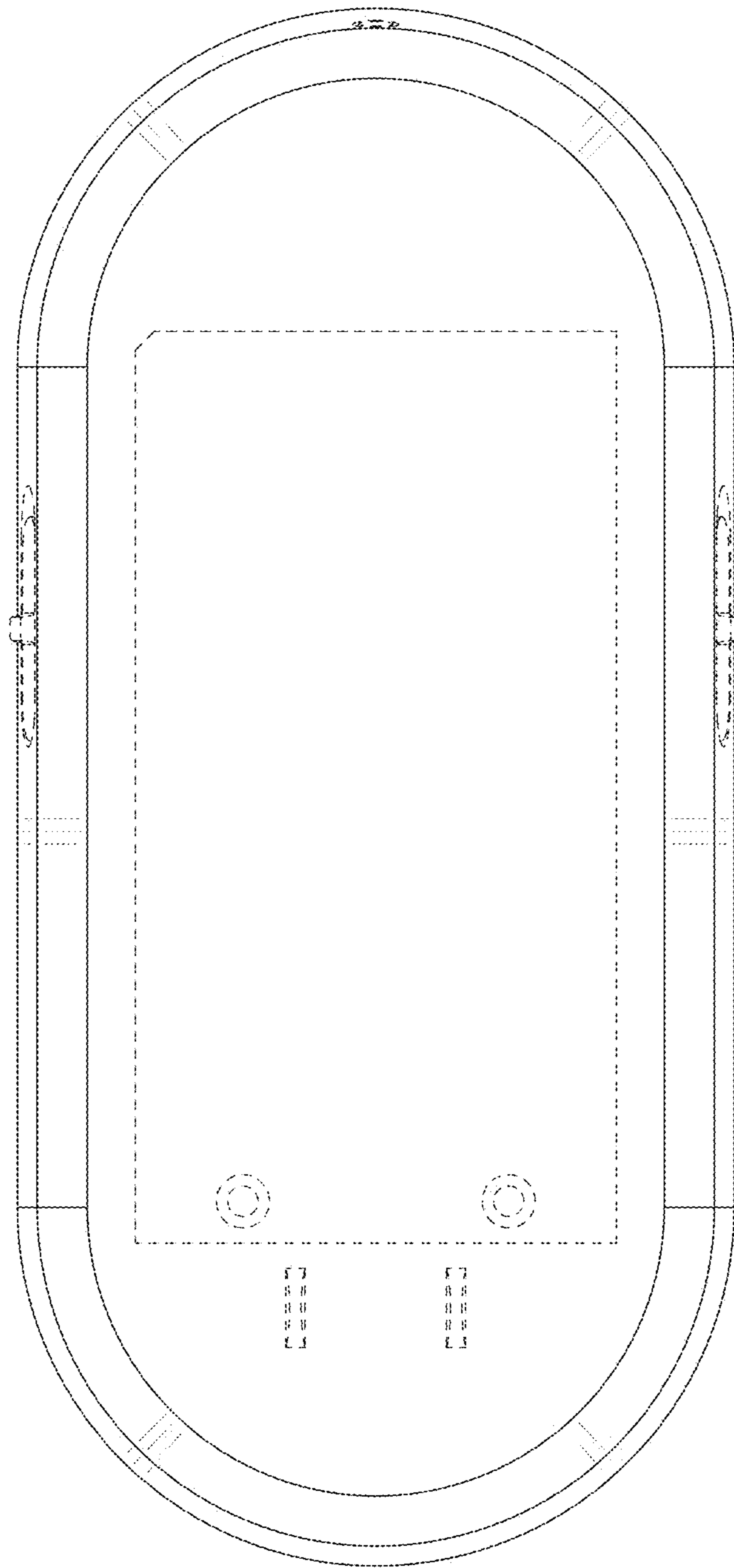


Fig. 2

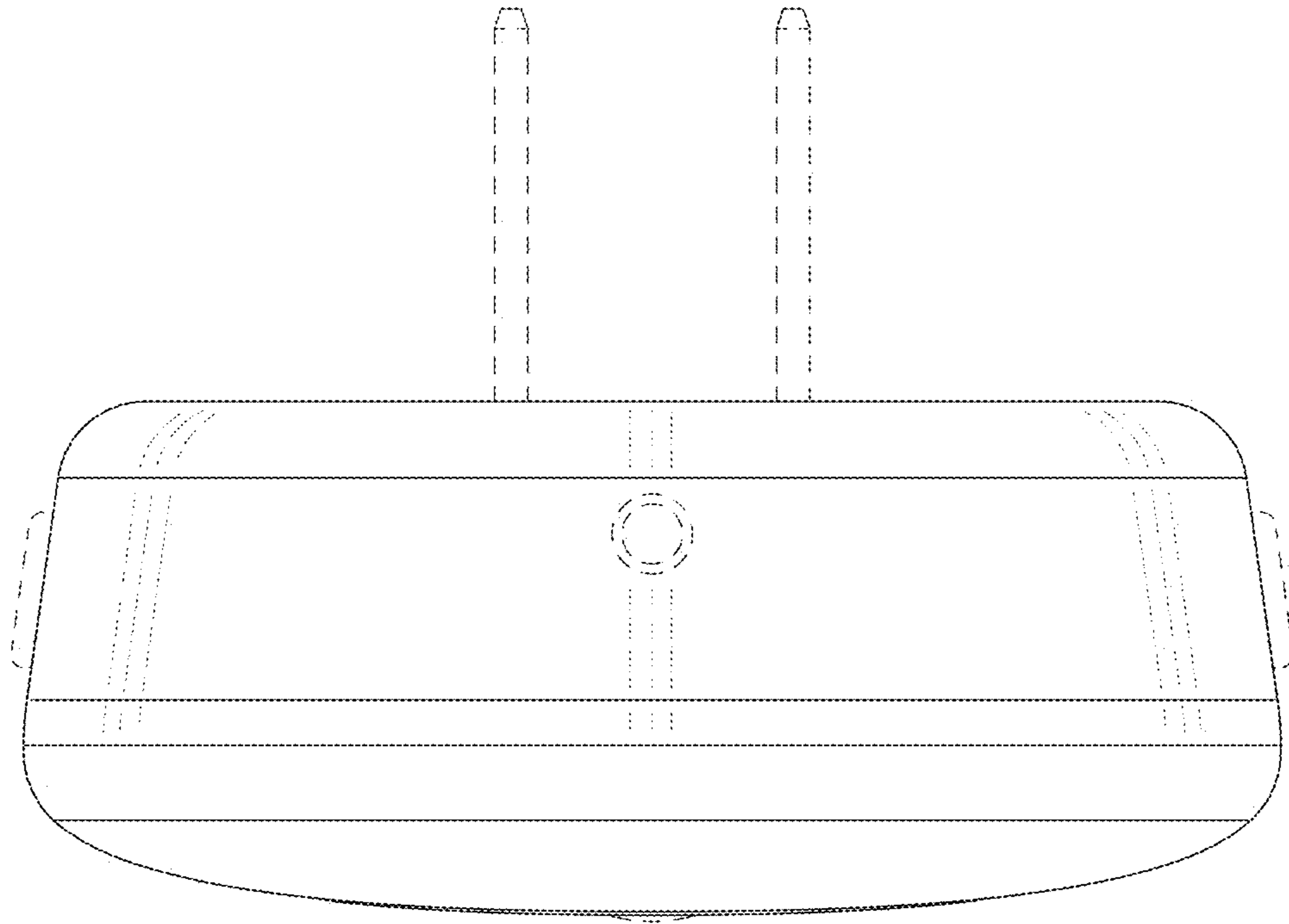


Fig. 3

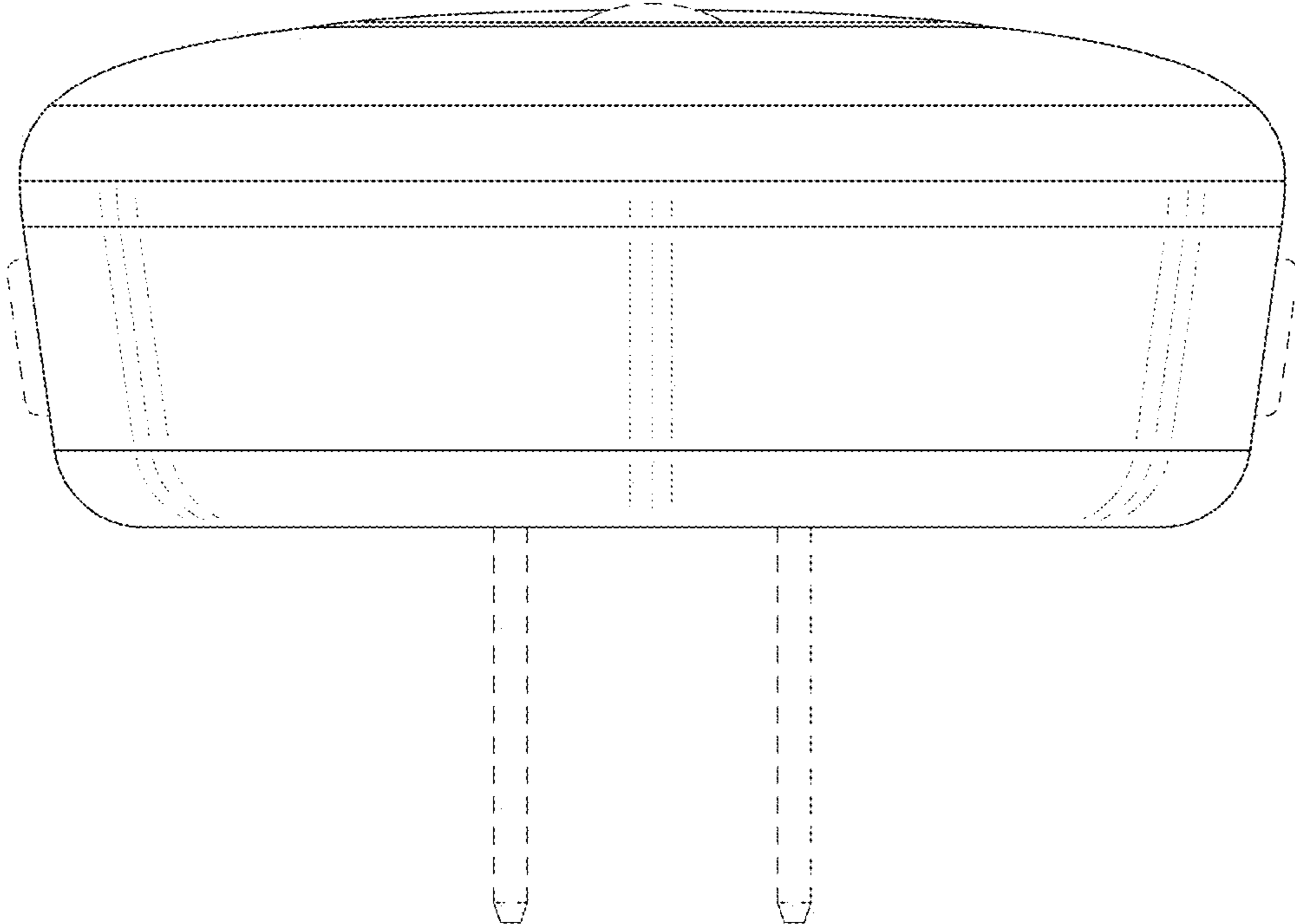


Fig. 4

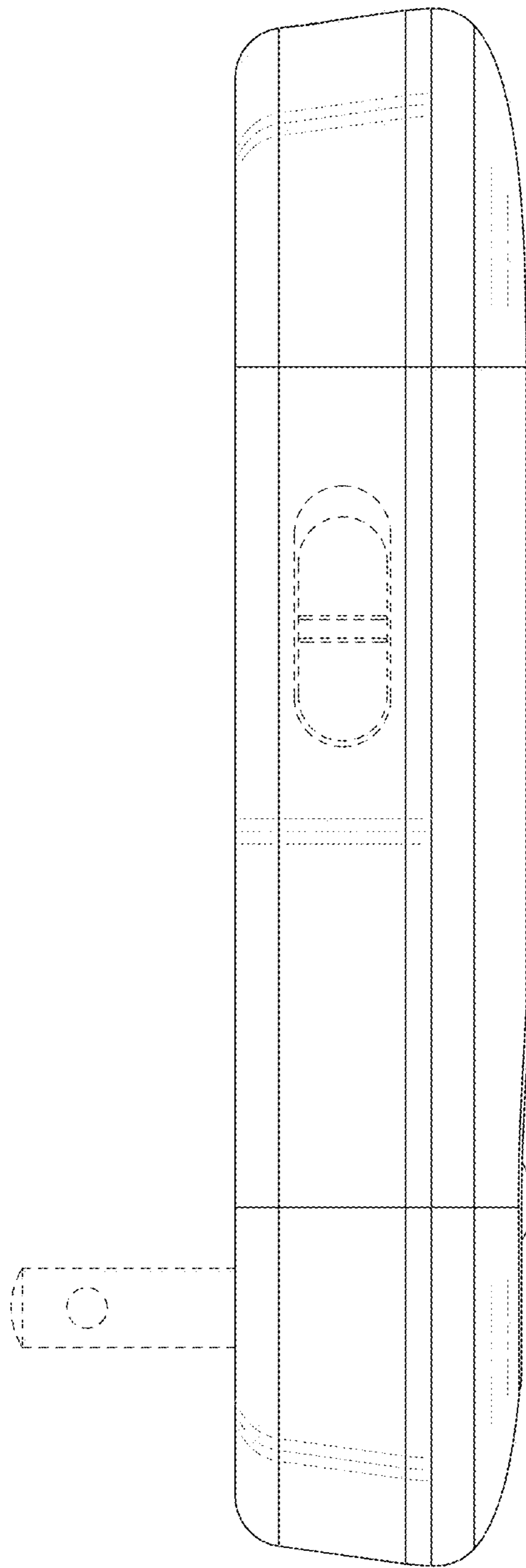


Fig. 5

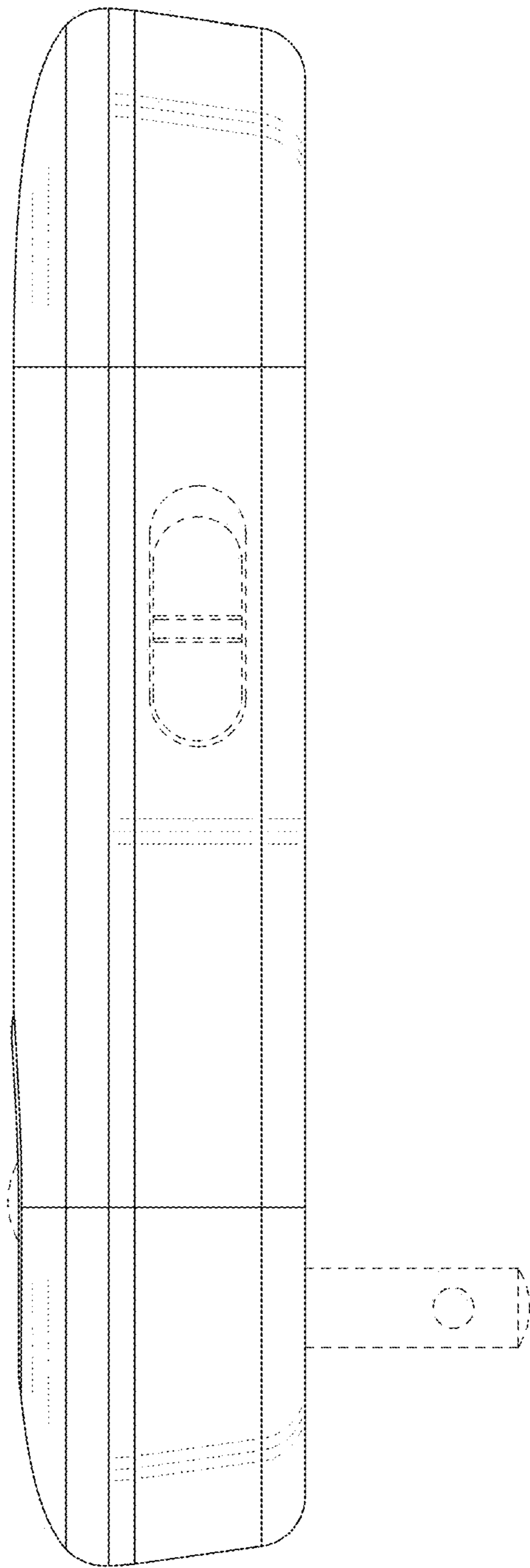


Fig. 6

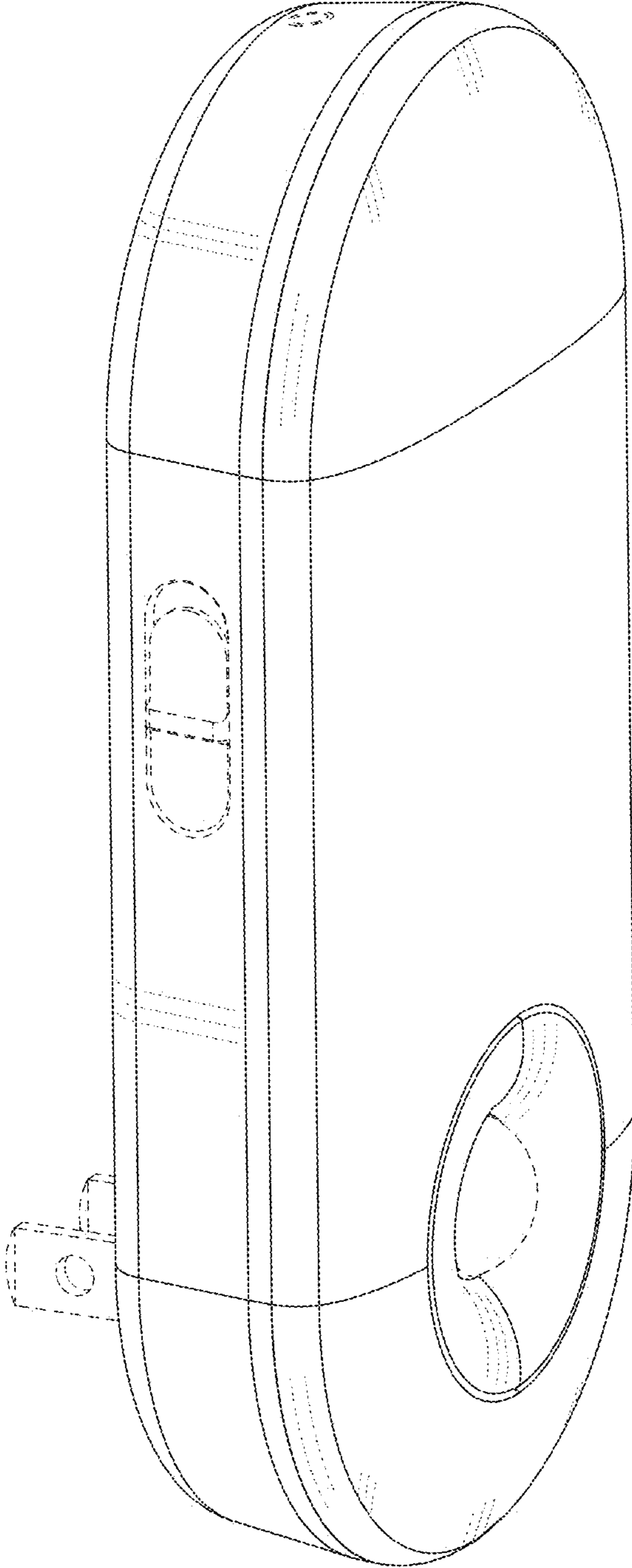


Fig. 7

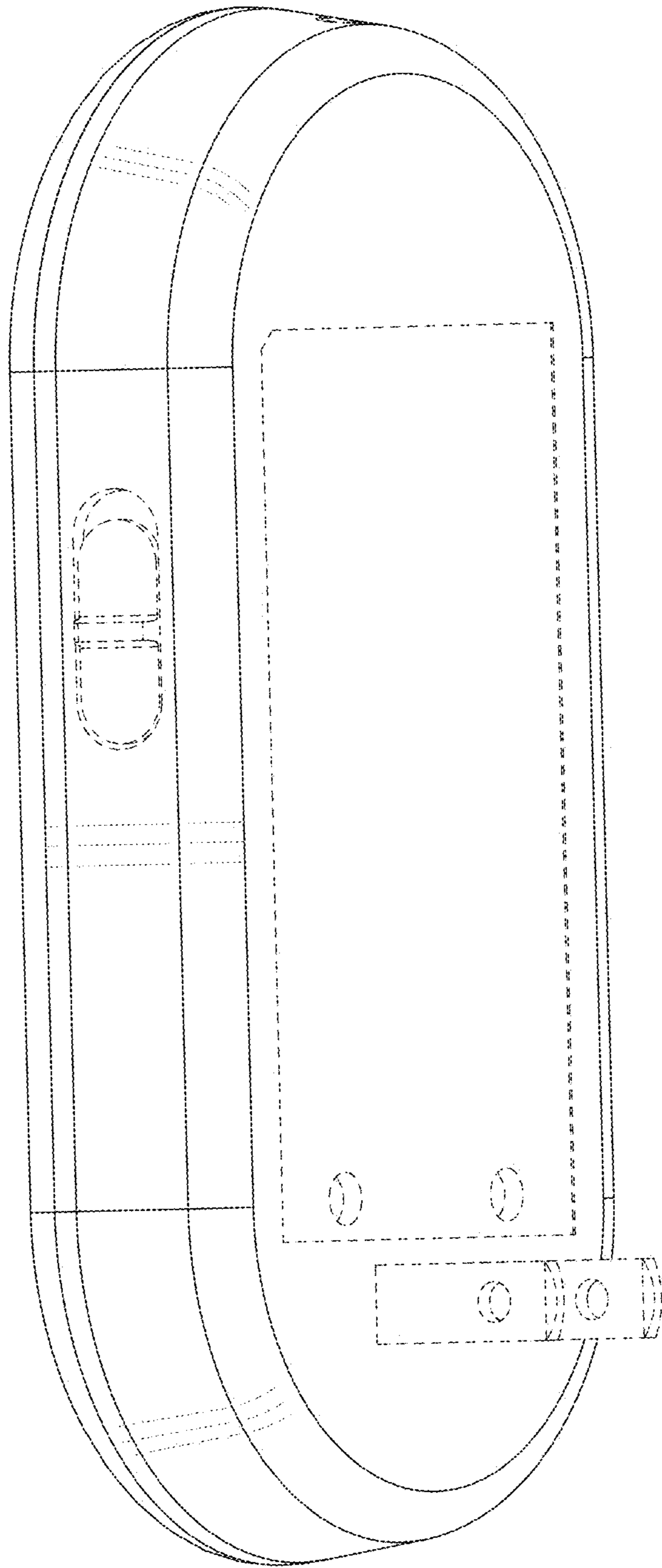


Fig. 8